
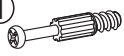


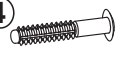

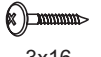





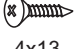





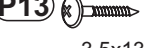






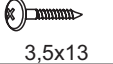
- (B1)**  ϕ 8x28 x52
- (T1)**  x40
- (M1)**  x36
- (C2)**  ϕ 20 x16
- (B4)**  x8
- (M12)**  x4
- (P2)**  3x16 x15
- (J23)**  x6
- (K1)**  7x50 x8
- (F15)**  x8


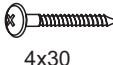
- (Y19)**  x8
- (Y21)**  x8
- (S8)**  4x13 x16


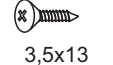
- (R11)**  350 x4
- (E4)**  6x8 x8
- (A1)**  M4x9 x4
- (L1)**  x1

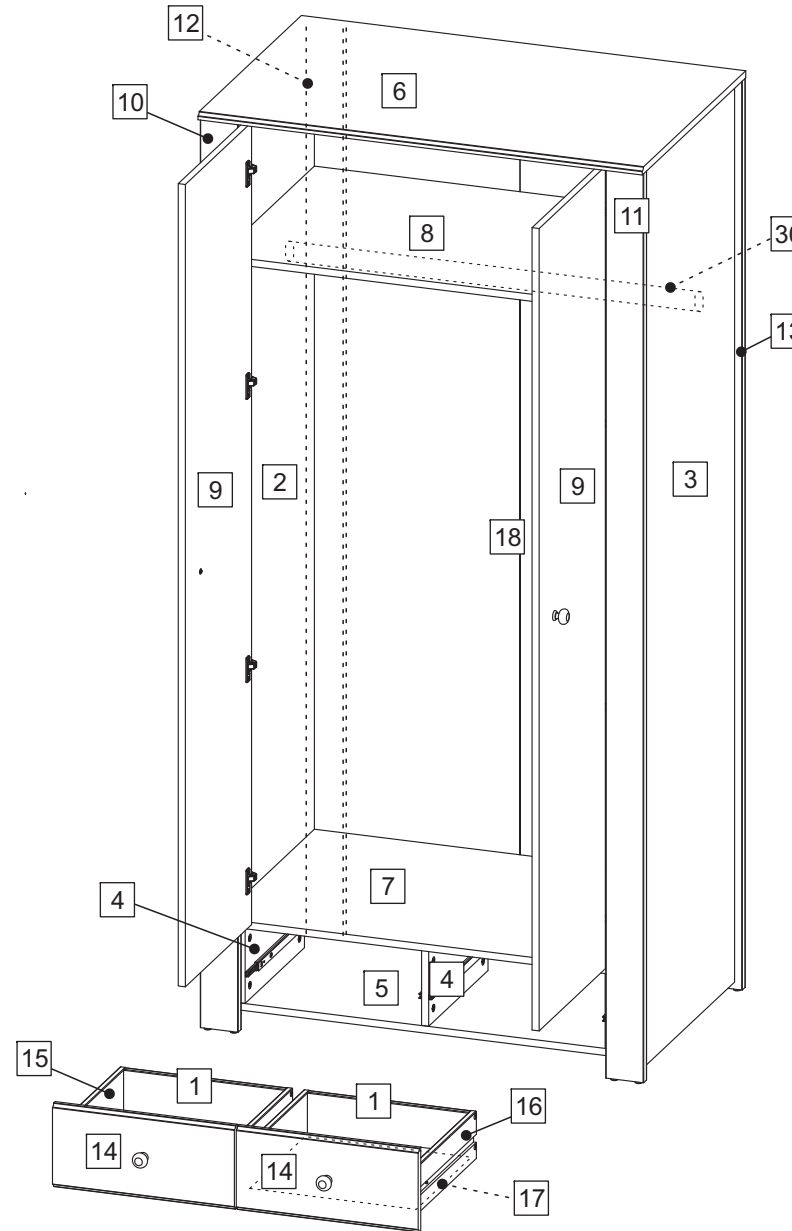
- (L21)**  x6
- (P13)**  3,5x13 x24

- (U49)**  x4
- (A14)**  M4x22 x4

- (J11)**  x1
- (T17)**  ϕ 8x50 5x60 x1
- (P13)**  3,5x13 x2

- (F70)**  x1
- (P5)**  4x30 x1

- (F7)**  x2
- (S3)**  3,5x13 x2

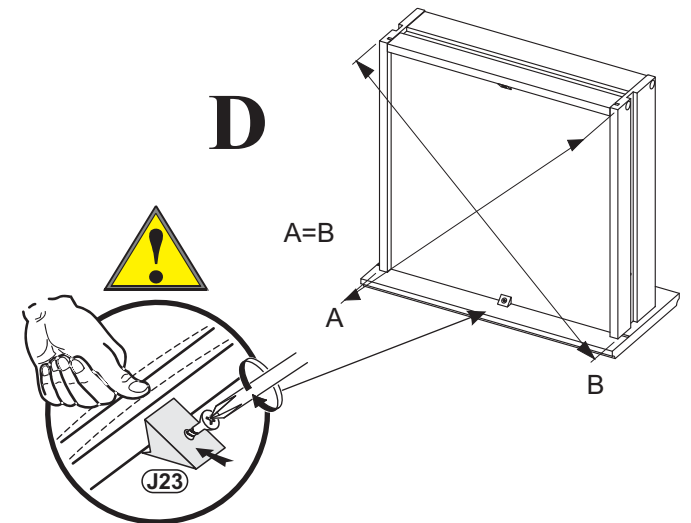
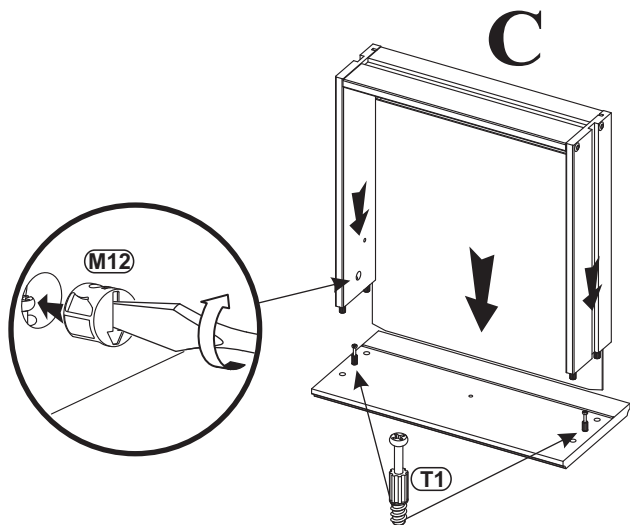
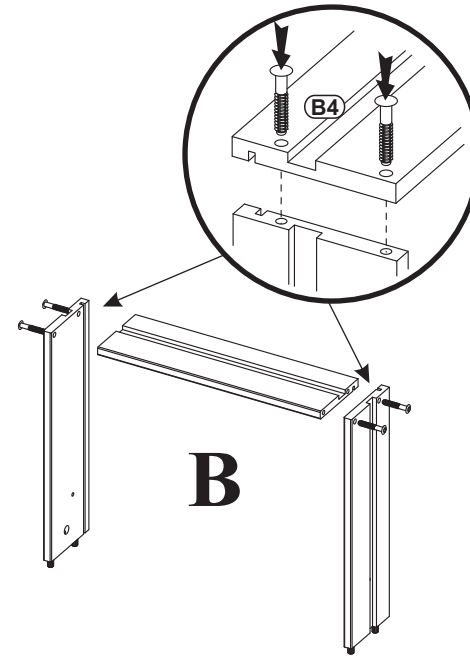
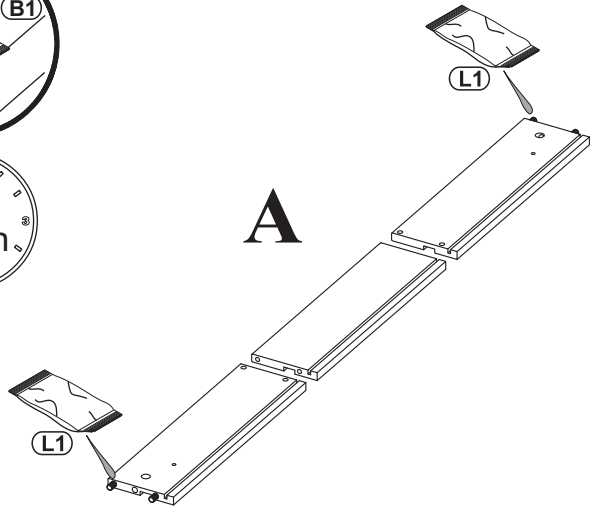
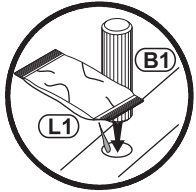
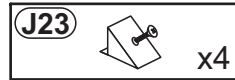
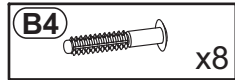
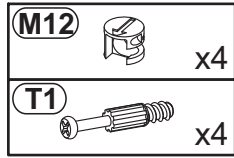
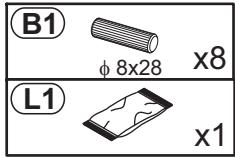


Nr	Ausmaß	St	Colli
1	340	100	12 2 2
2	1905	554	18 1 1
3	1905	554	18 1 1
4	158	344	15 3 2
5	868	551	15 1 2
6	938	600	15 1 2
7	868	551	15 1 2
8	868	551	15 1 2
9	384	1694	15 2 3
10	1920	80	18 1 1
11	1920	80	18 1 1
12	1920	80	18 1 1
13	1920	80	18 1 1
14	384	177	15 2 3
15	350	100	12 2 2
16	350	100	12 2 2
17	351	349	2 2 2
18	438	1885	2 2 1
30	860		1 2

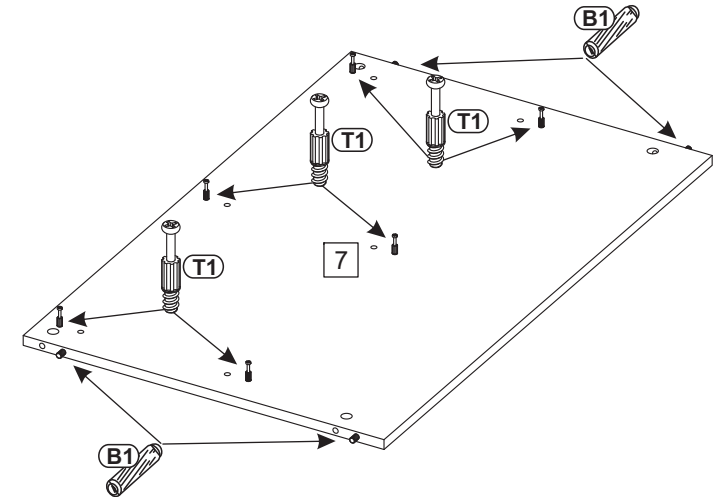
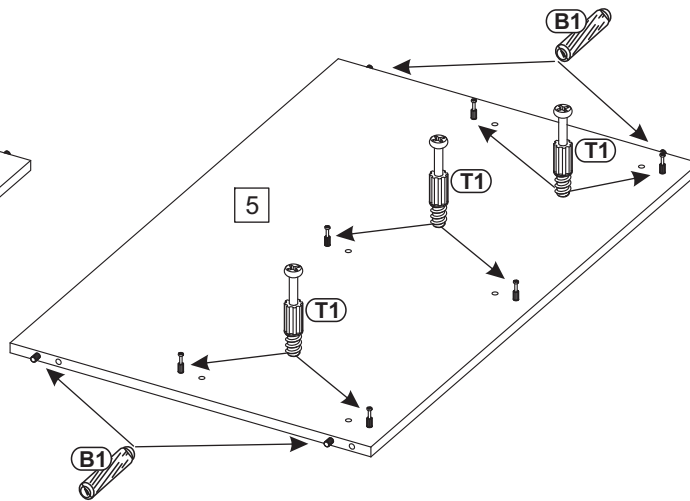
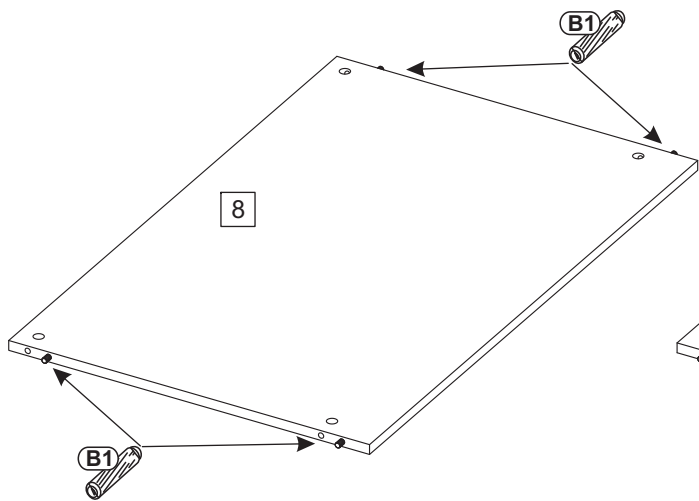
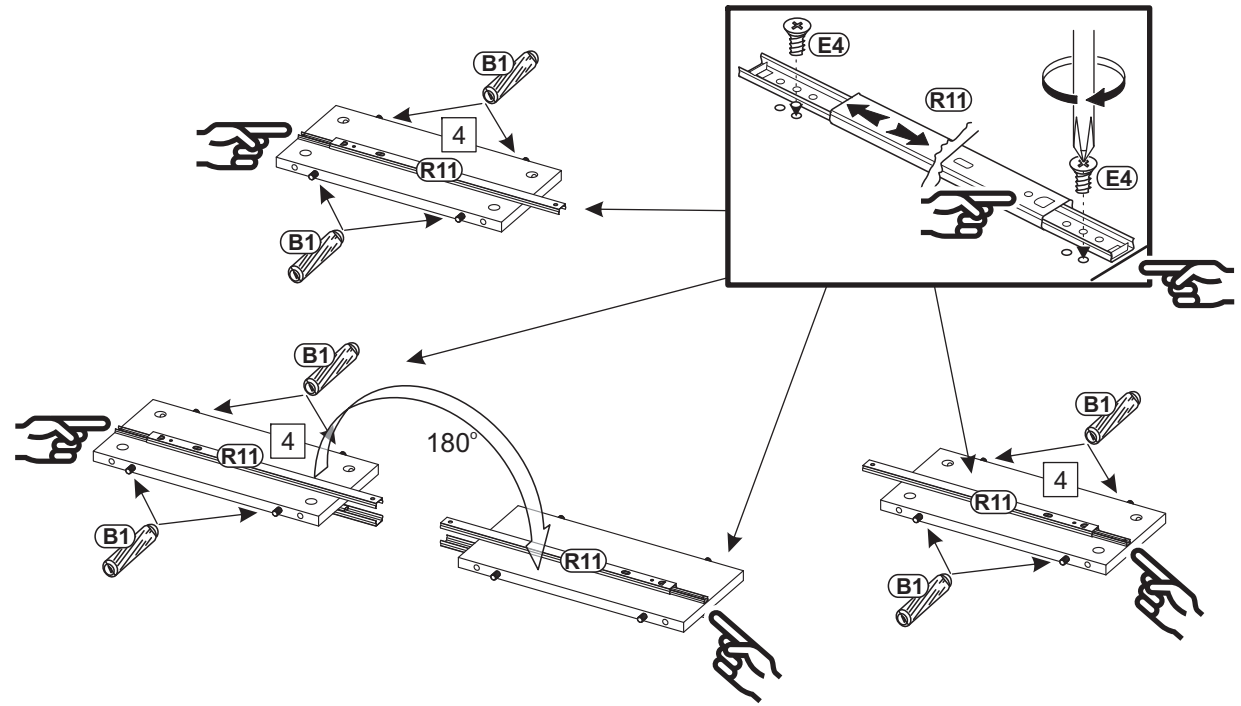
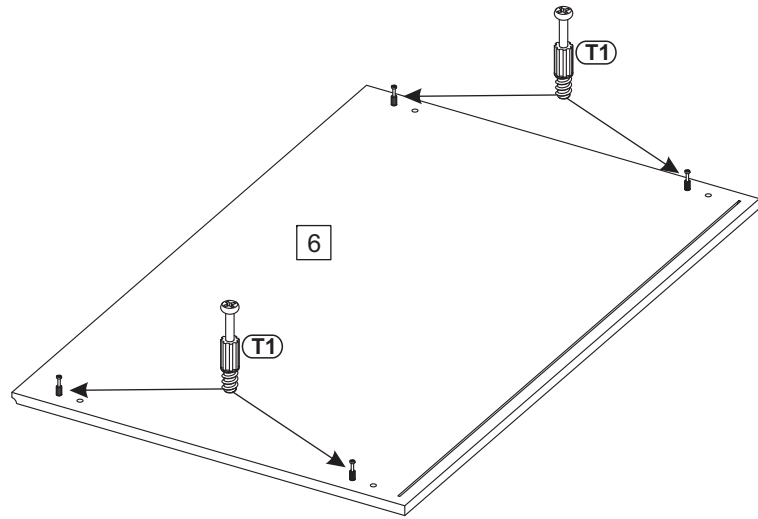
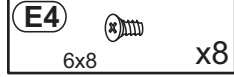
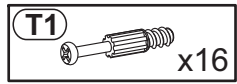
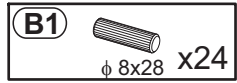
0 10 20 30 40 50 60 70 80 90 100 110 120 130 140 150 160 170 180 190 200



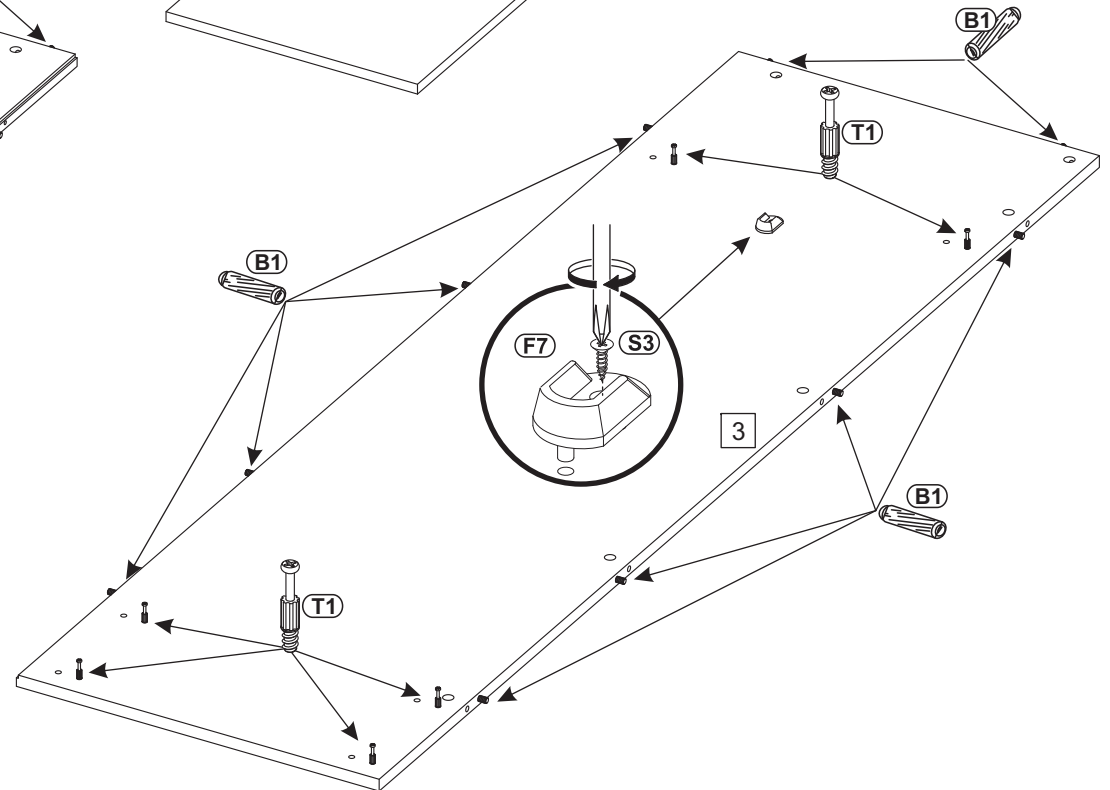
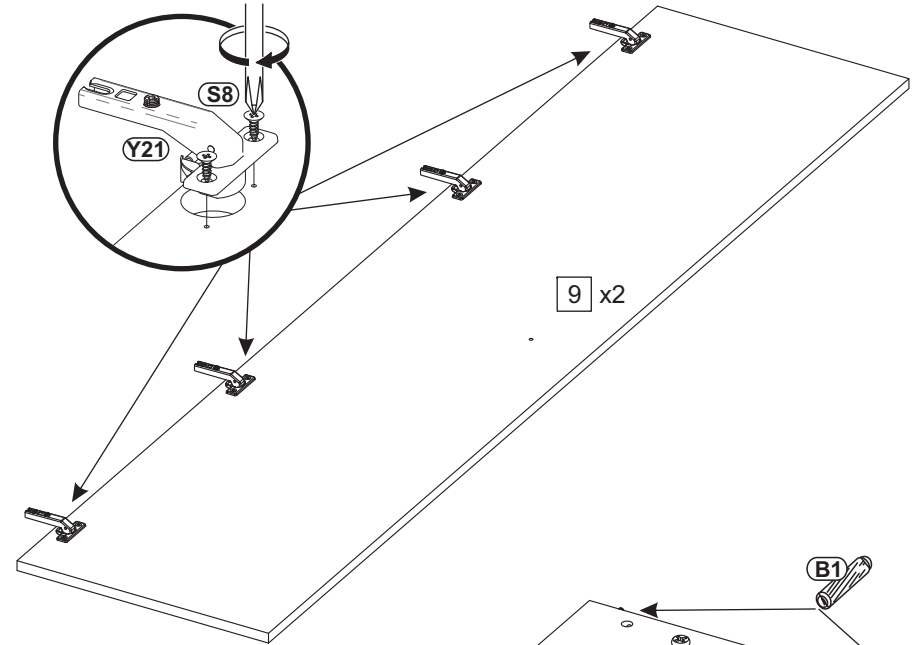
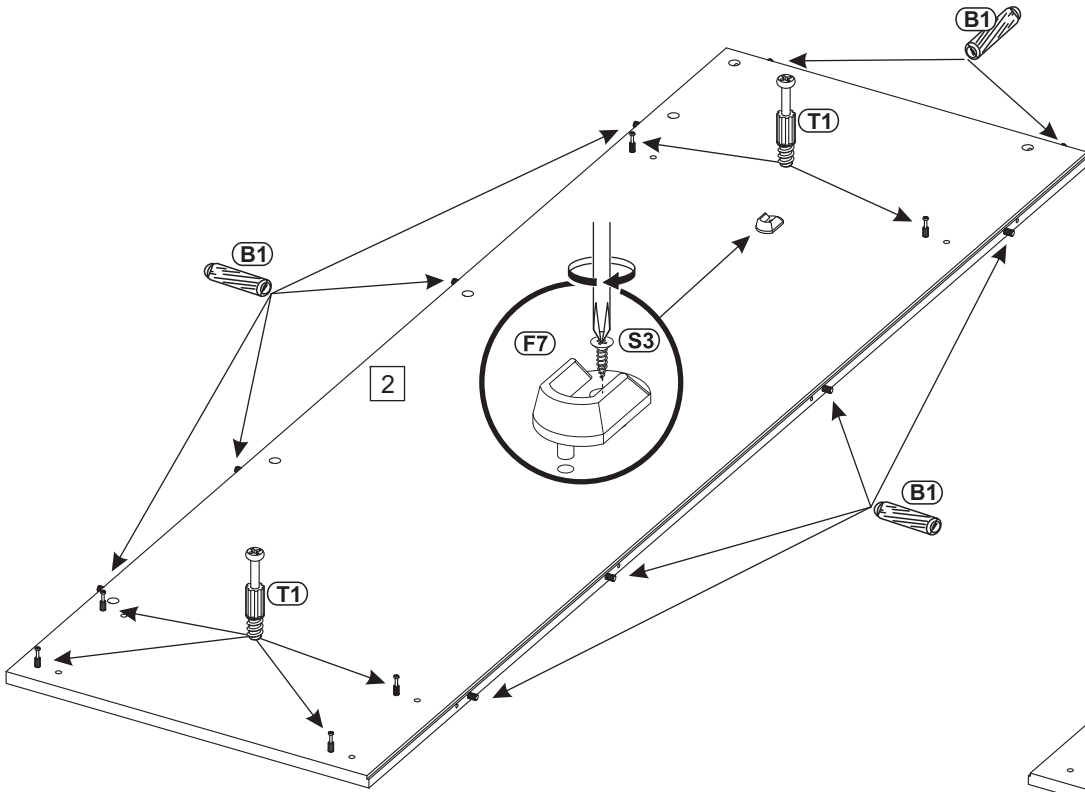
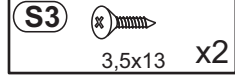
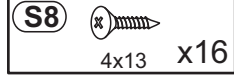
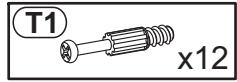
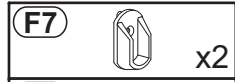
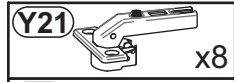
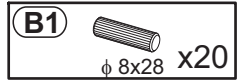
1



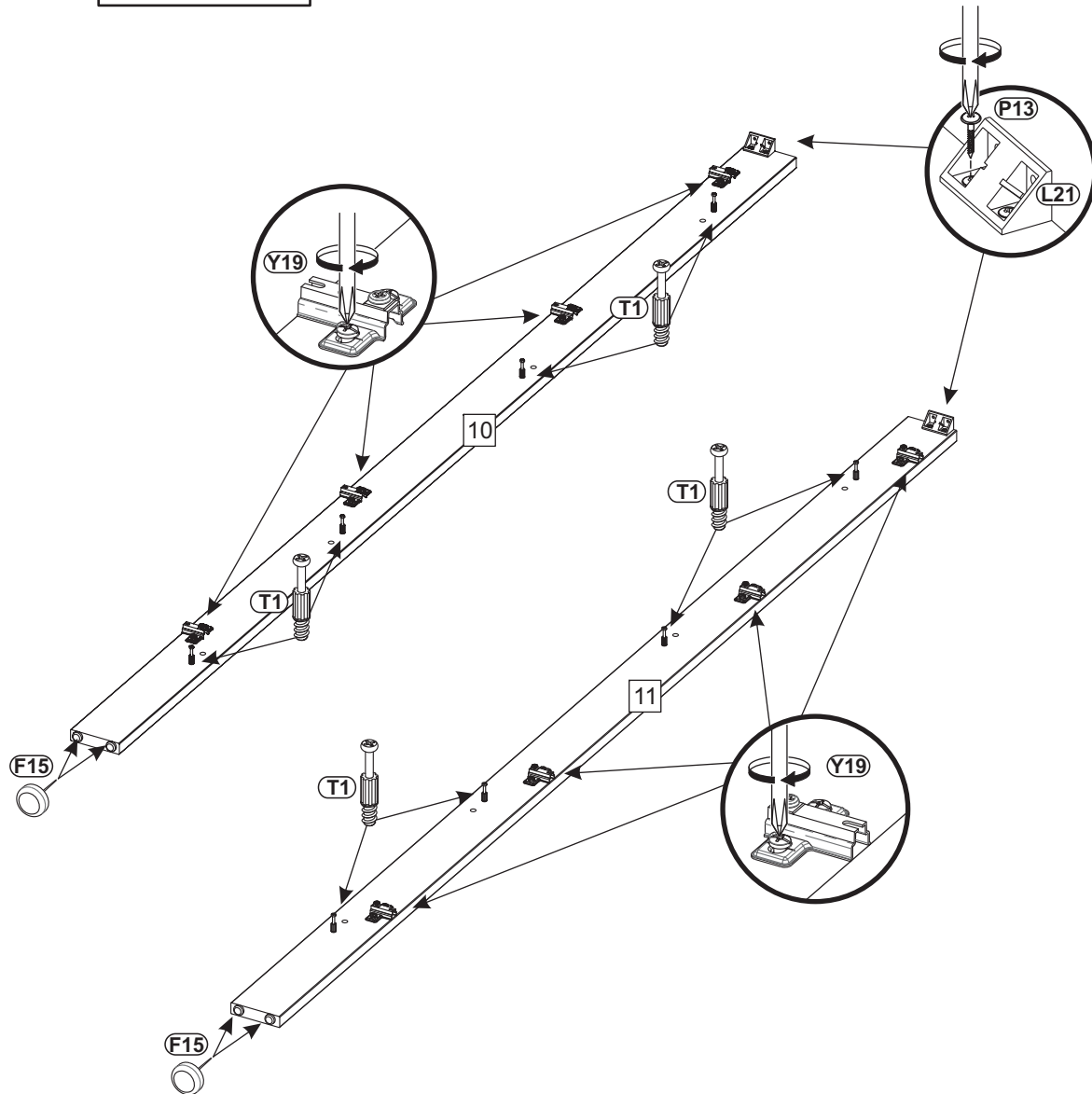
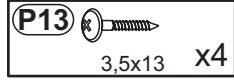
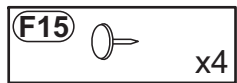
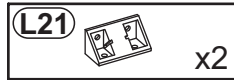
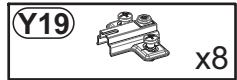
2



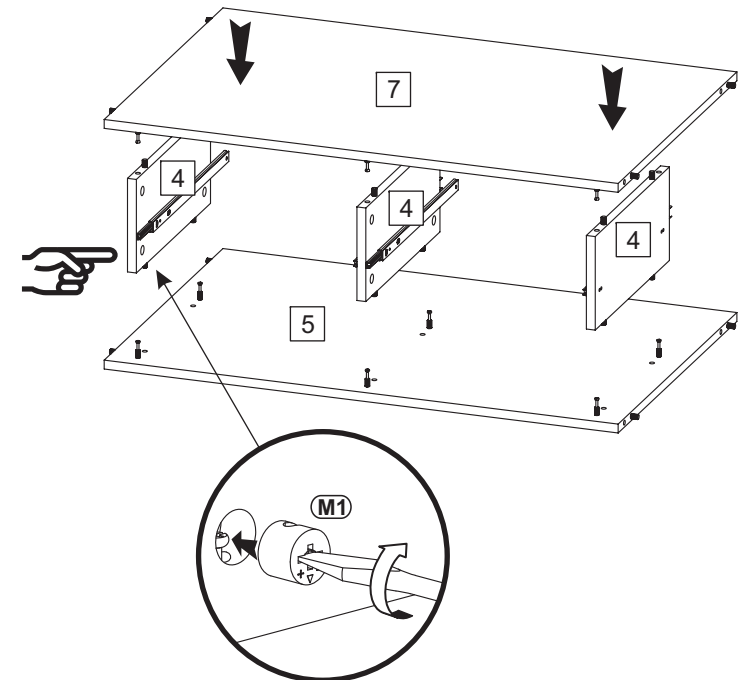
3



4

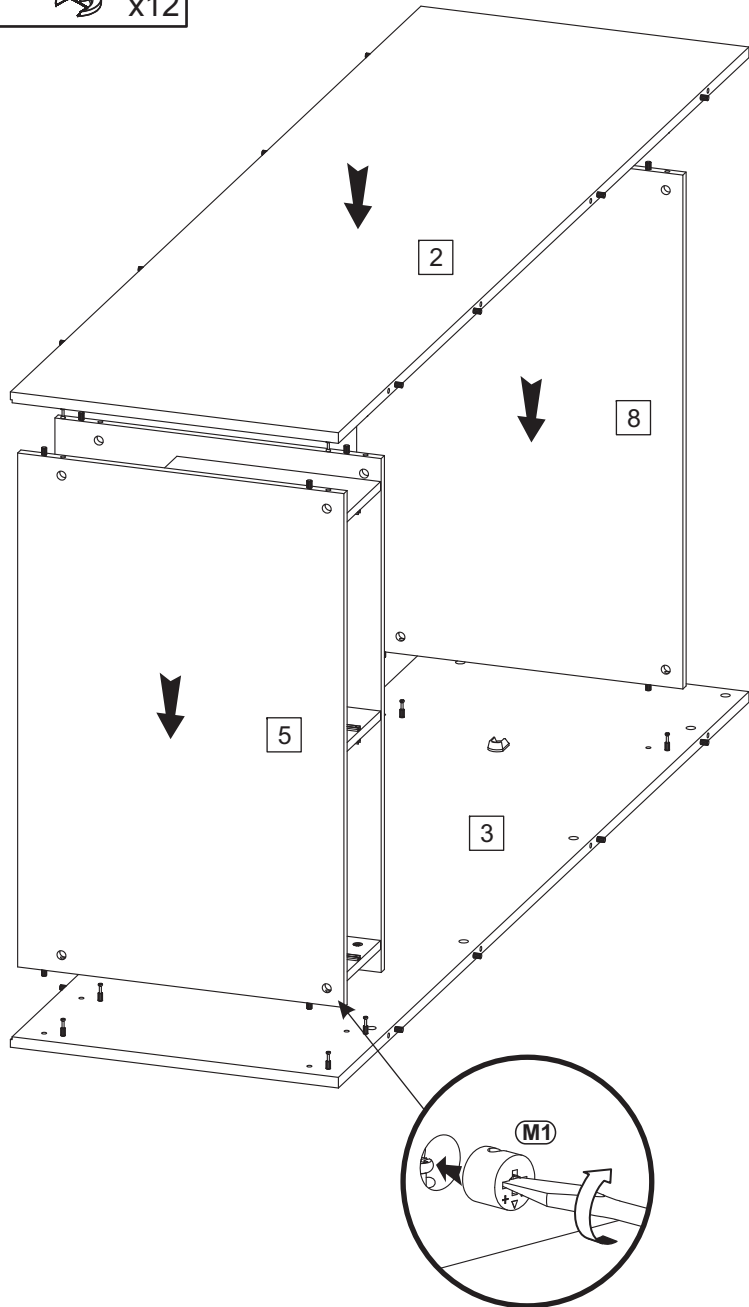


5



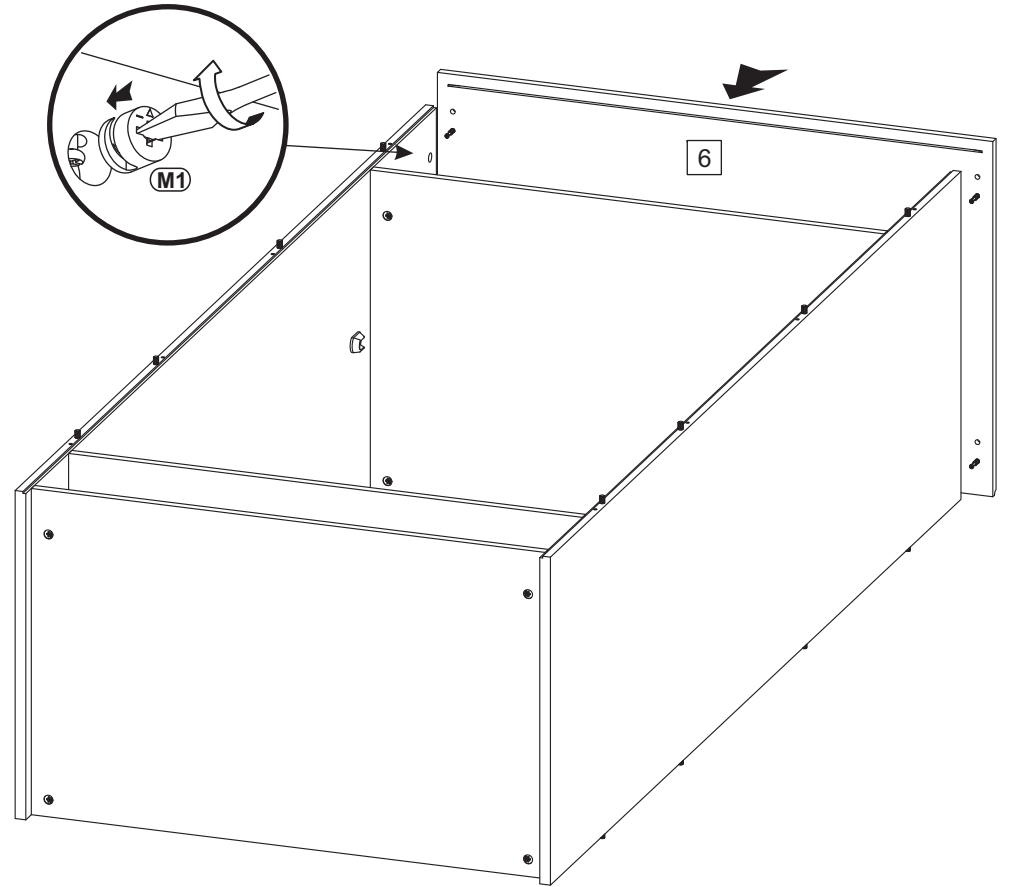
6

M1  x12

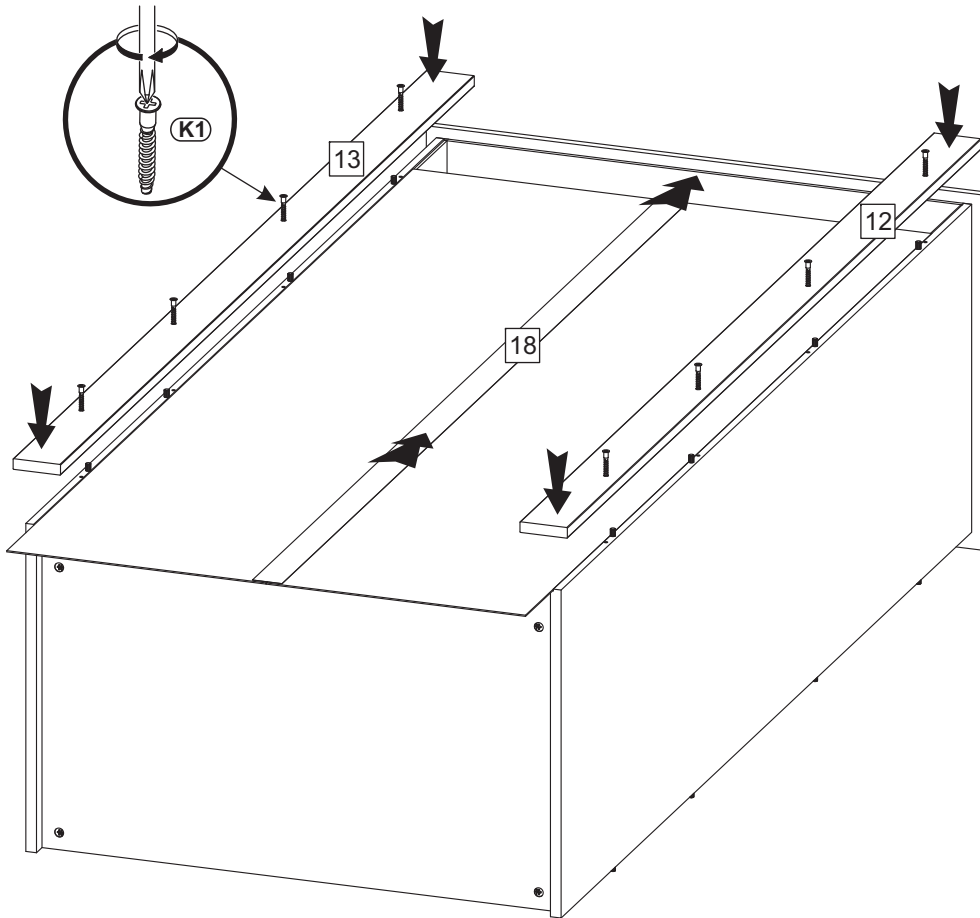
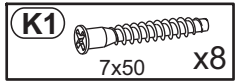


7

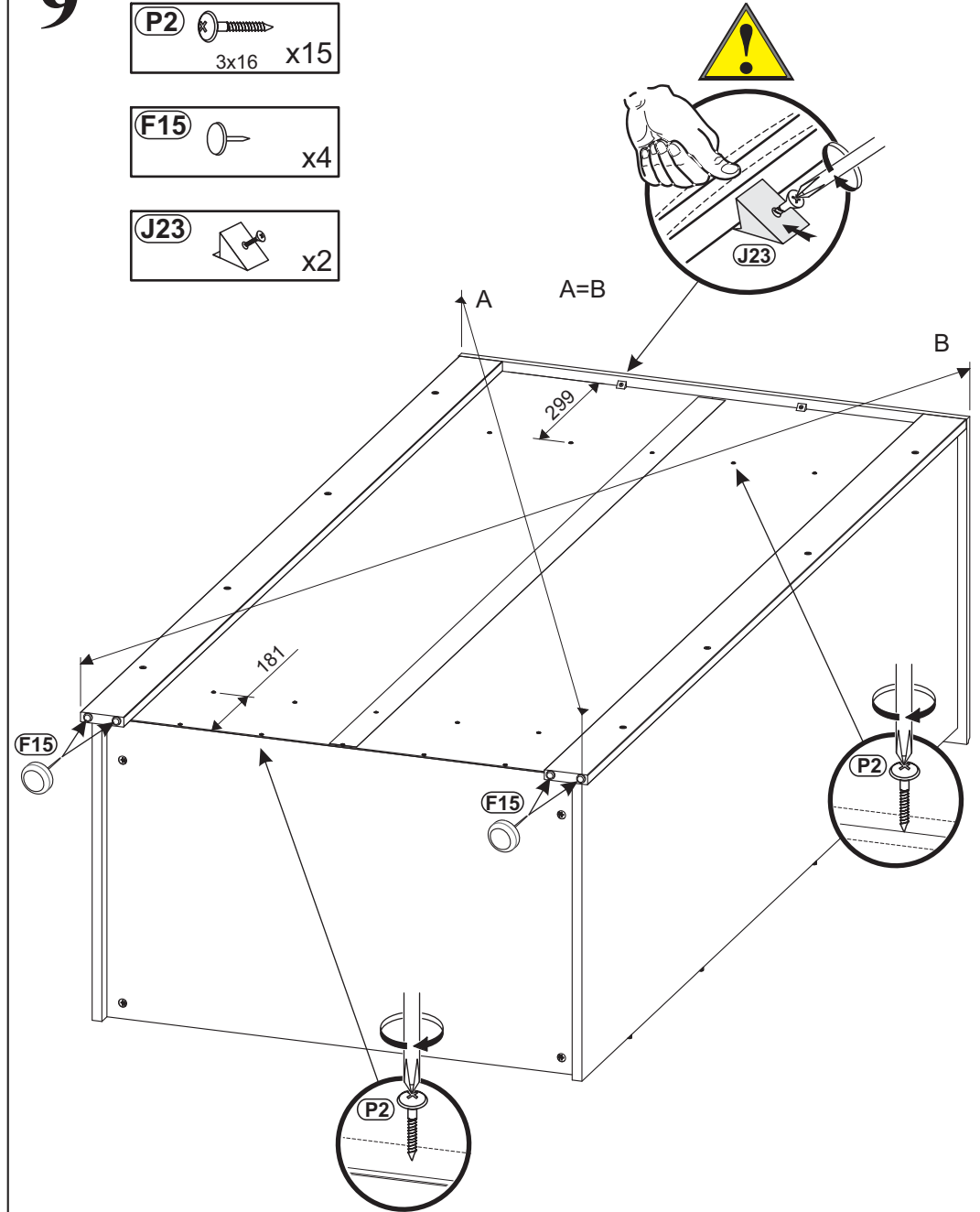
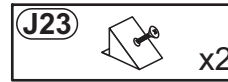
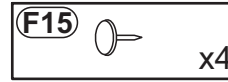
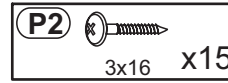
M1  x4



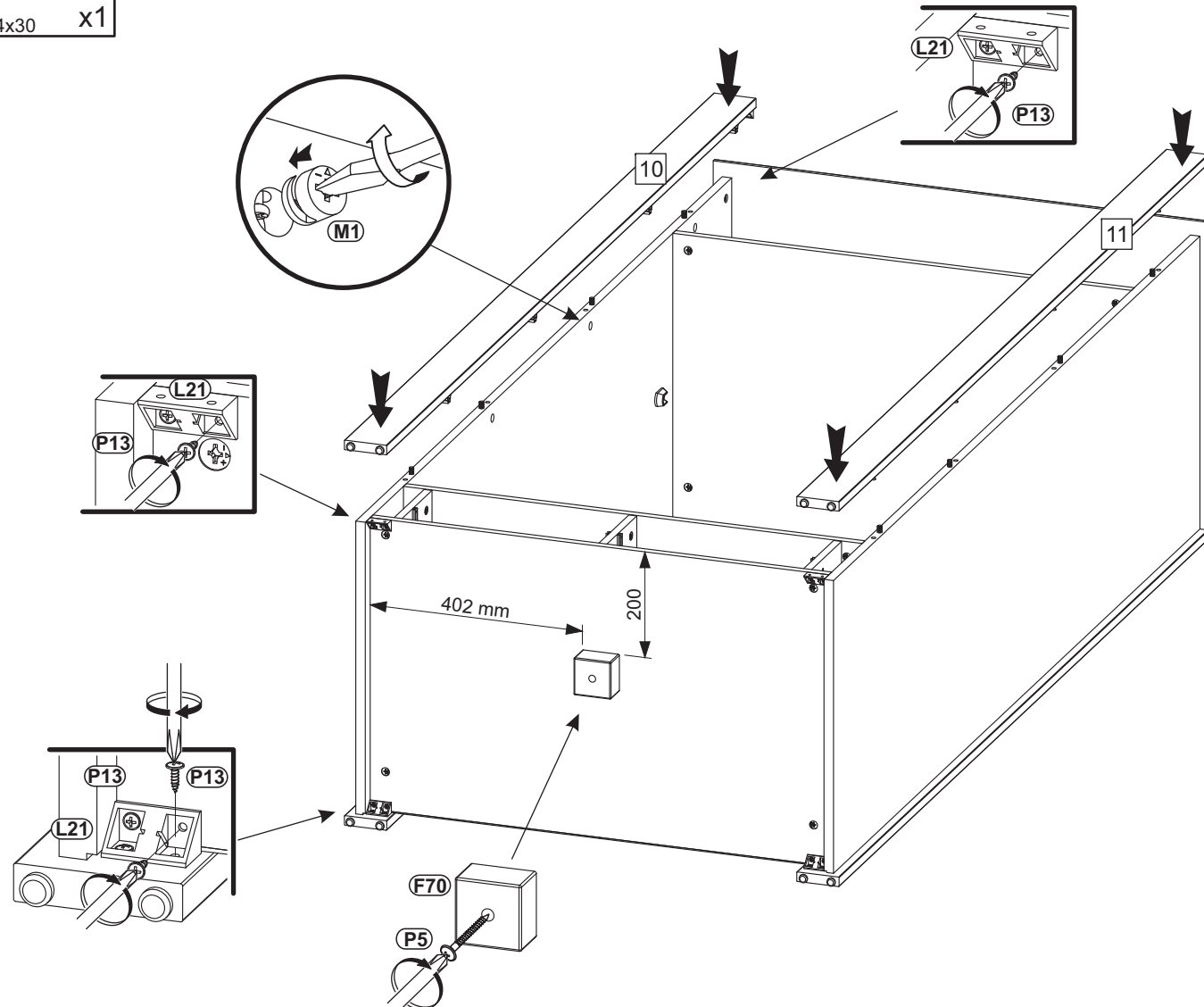
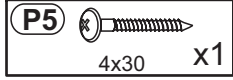
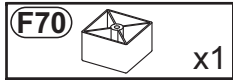
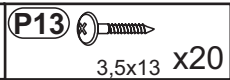
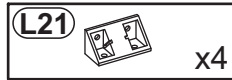
8



9



10



11

