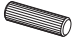
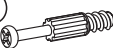










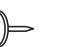

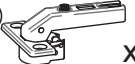









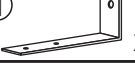


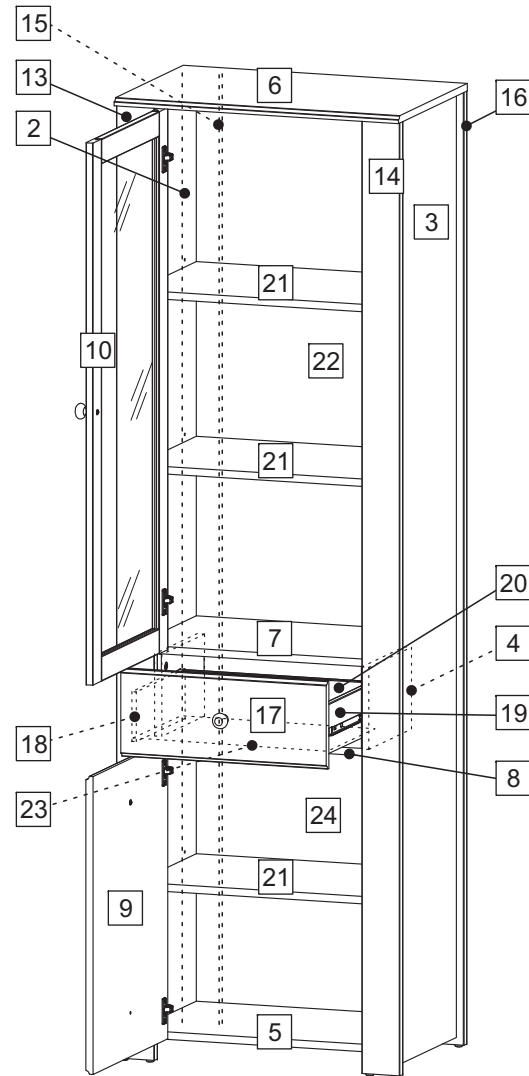


<b>B1</b>		φ 8x28	x40
<b>T1</b>			x34
<b>M1</b>			x32
<b>C2</b>		φ 20	x16
<b>B4</b>			x4
<b>M12</b>			x2
<b>W1</b>			x12
<b>W2</b>			x1
<b>P2</b>		3x16	x9
<b>F1</b>			x3
<b>J23</b>			x4
<b>K1</b>		7x50	x8
<b>F15</b>			x8

<b>Y19</b>			x4
<b>Y21</b>			x4
<b>S8</b>		4x13	x8
<b>R1</b>		246	x2
<b>E4</b>		6x8	x4
<b>A1</b>		M4x9	x2
<b>L1</b>			x1

<b>L21</b>			x6
<b>P13</b>		3,5x13	x24
<b>U49</b>			x3
<b>A14</b>		M4x22	x3
<b>J11</b>			x1
<b>T17</b>		φ8x50 5x60	x1
<b>P13</b>		3,5x13	x2

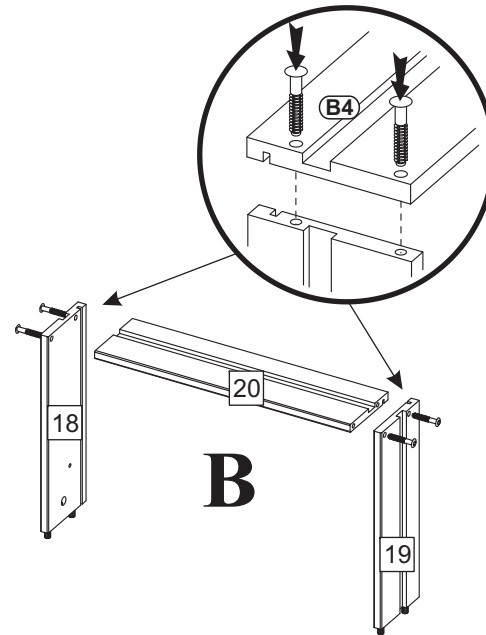
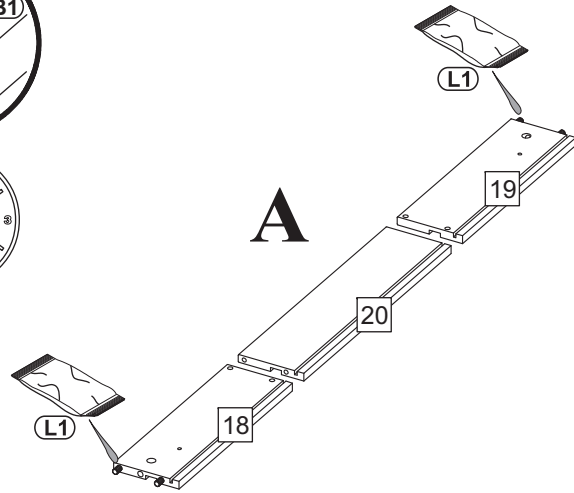
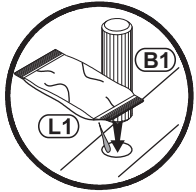
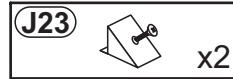
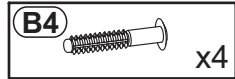
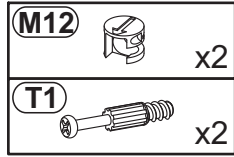
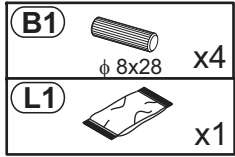


Nr	Ausmaß	St	Colli
2	1905 354 18	1	1
3	1905 354 18	1	1
4	165 248 15	2	2
5	530 351 15	1	2
6	600 400 15	1	2
7	530 351 15	1	2
8	530 351 15	1	2
9	434 600 15	1	1
10	1092 434 15	1	1
13	1920 80 18	1	1
14	1920 80 18	1	1
15	1920 80 18	1	1
16	1920 80 18	1	1
17	434 177 15	1	1
18	300 100 12	1	2
19	300 100 12	1	2
20	390 100 12	1	2
21	530 336 15	3	2
22	1102 538 2	1	1
23	401 299 2	1	2
24	783 538 2	1	1

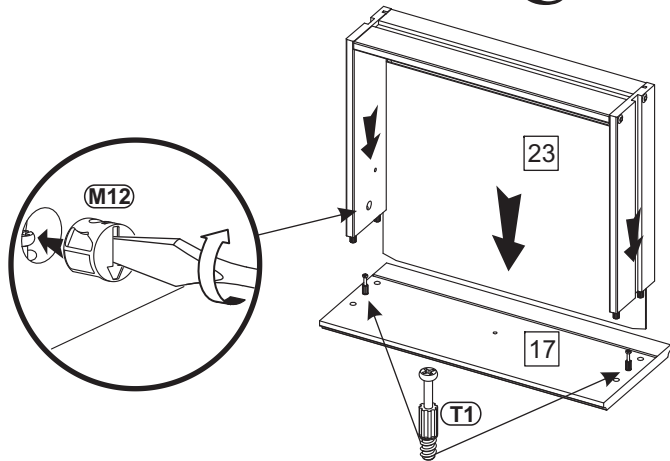
0 10 20 30 40 50 60 70 80 90 100 110 120 130 140 150 160 170 180 190 200



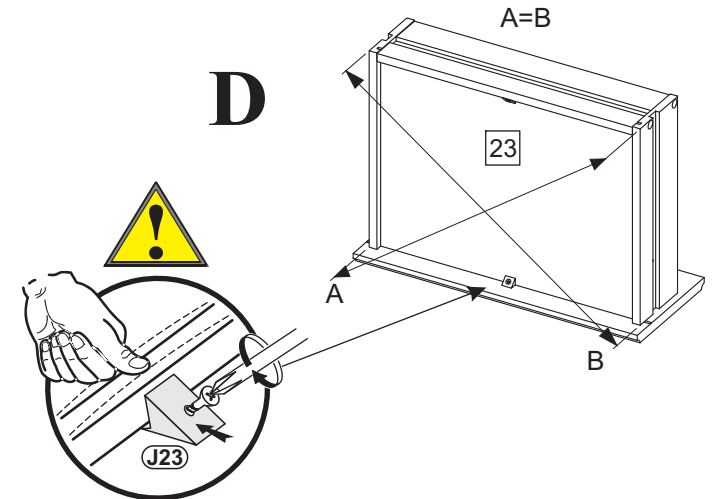
1



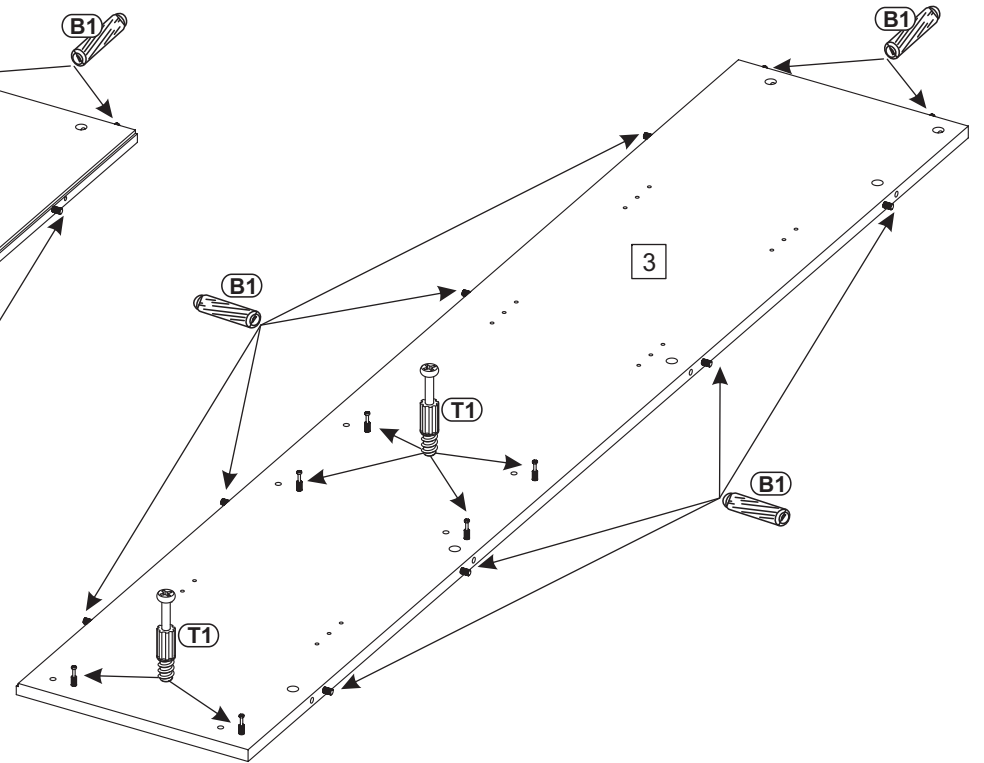
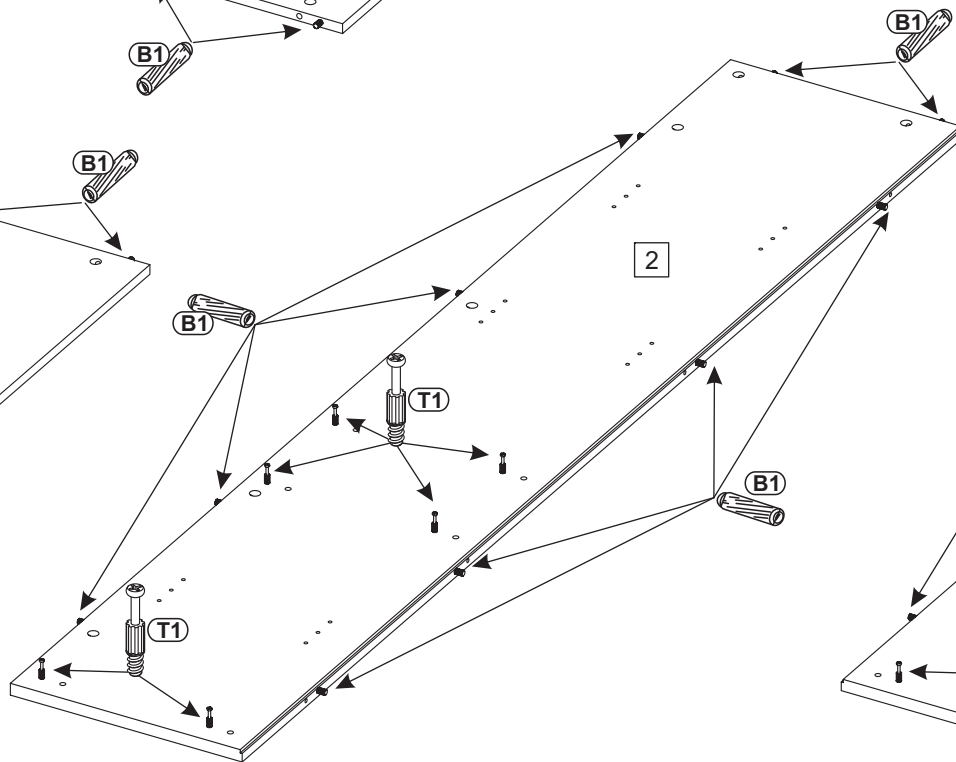
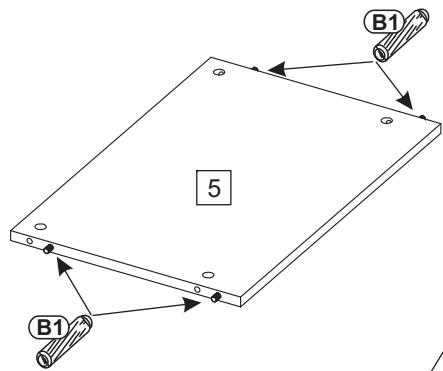
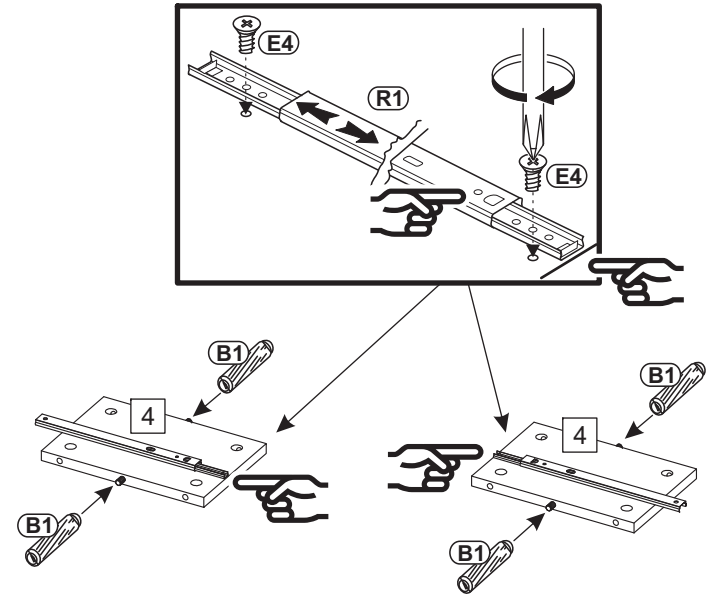
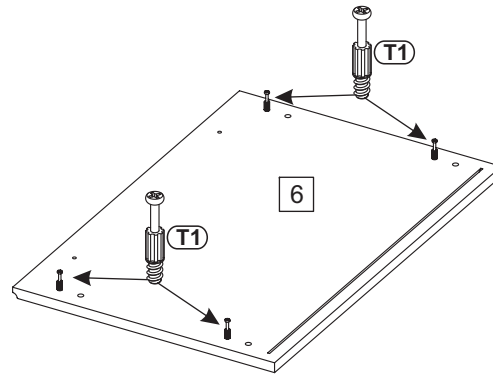
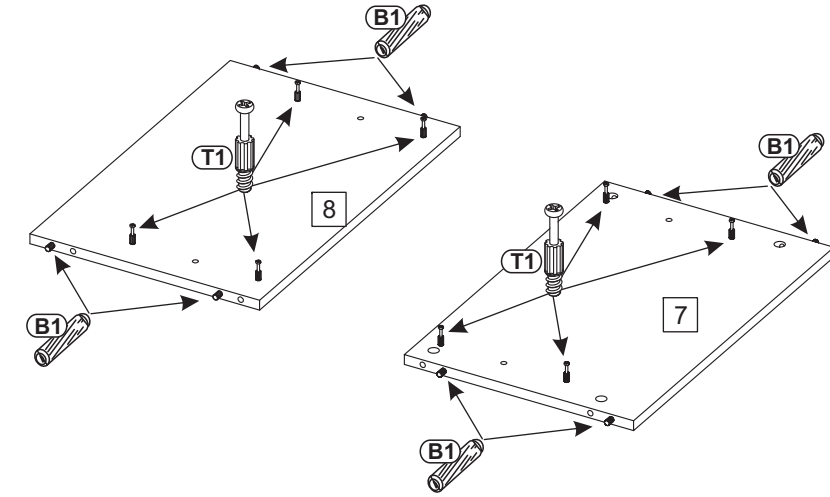
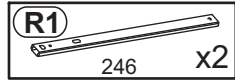
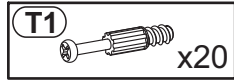
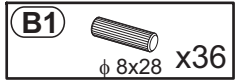
C



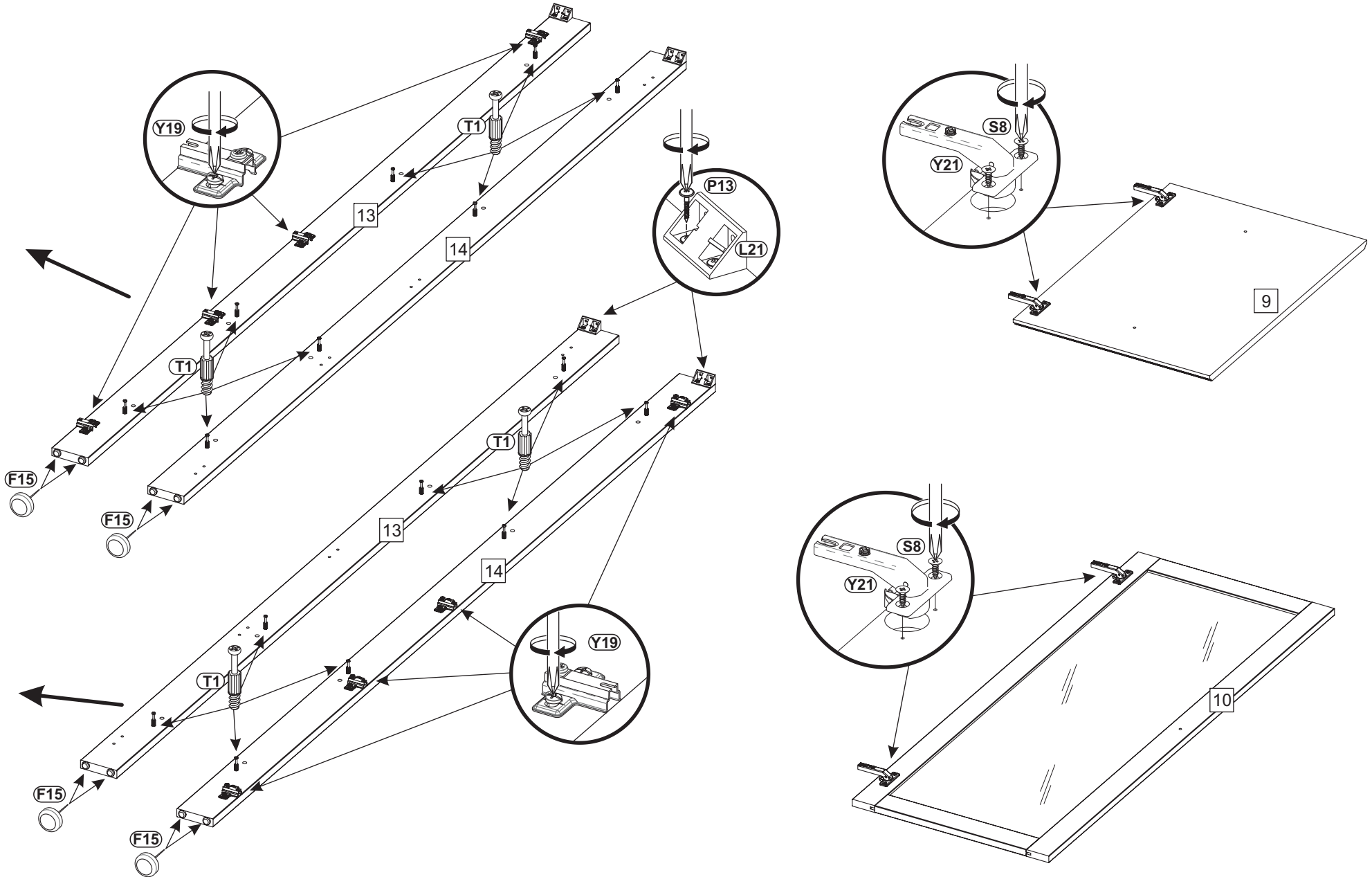
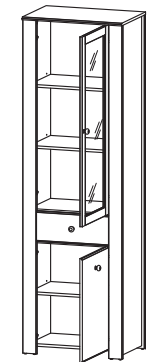
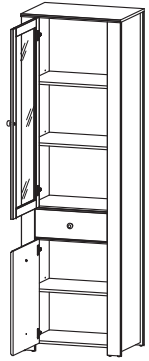
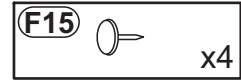
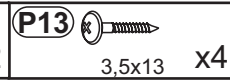
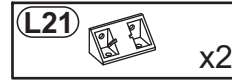
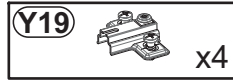
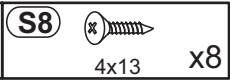
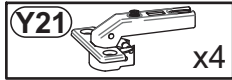
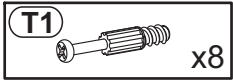
D



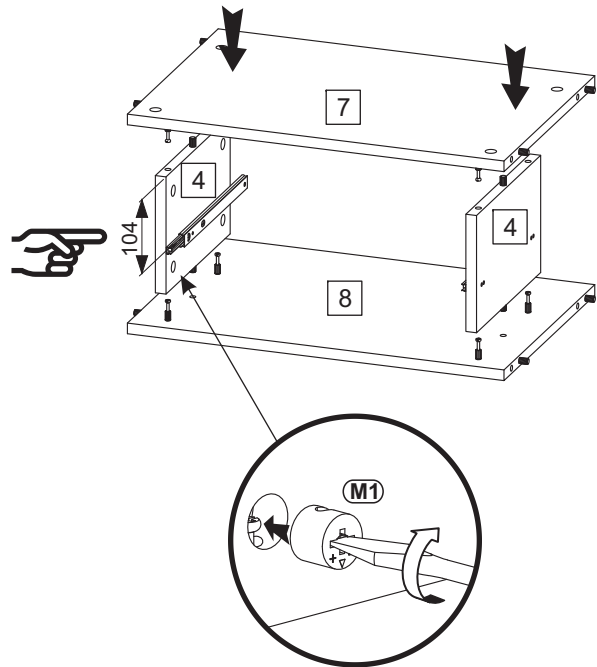
2



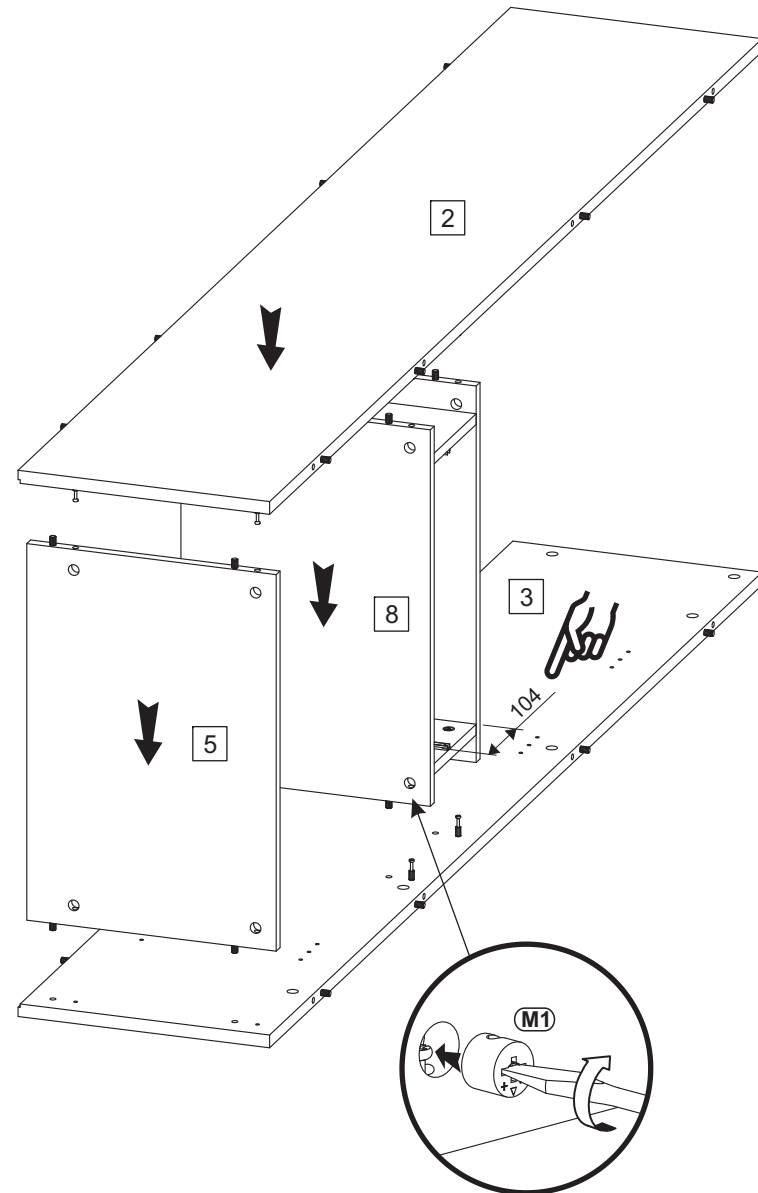
3



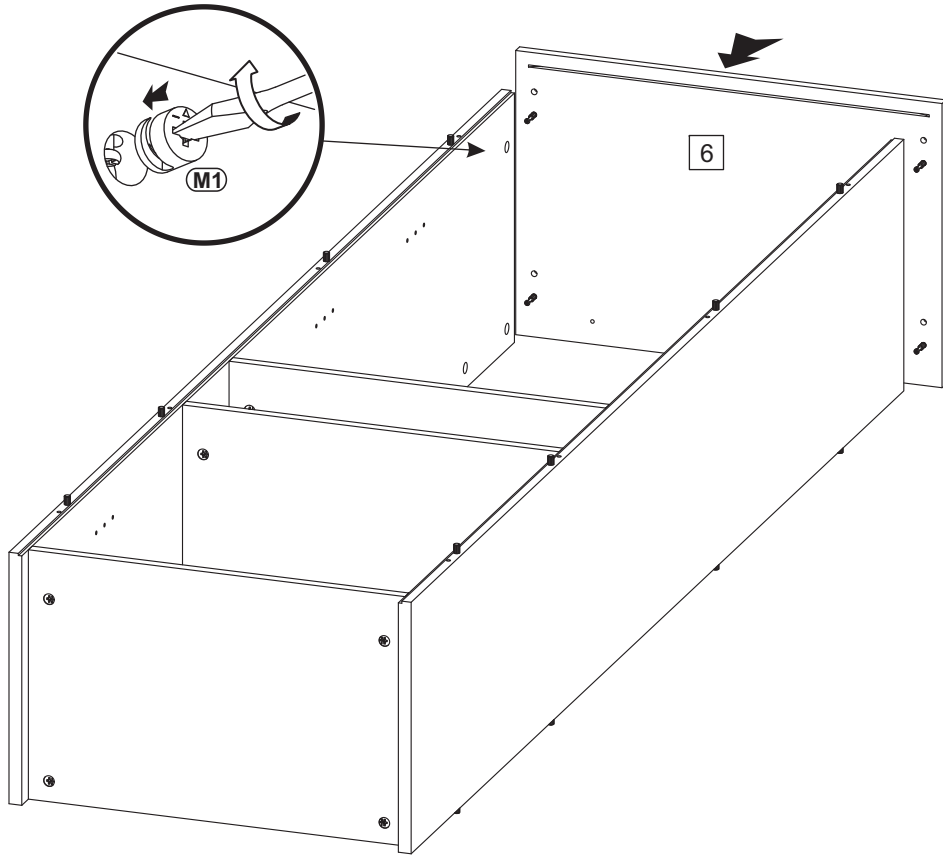
4



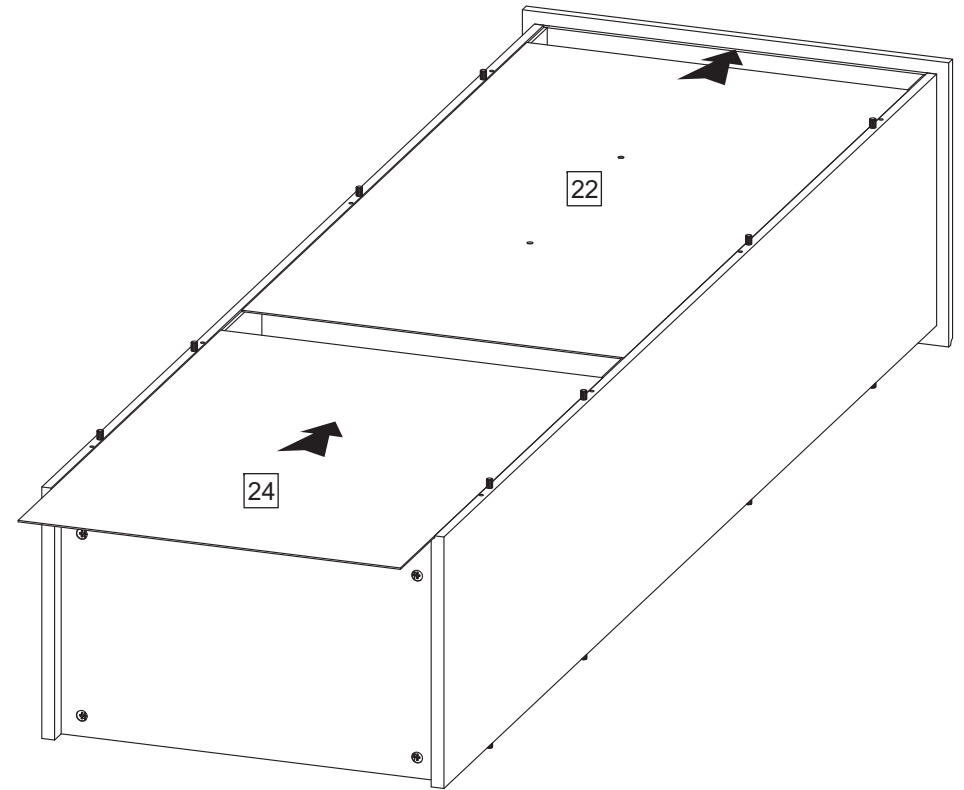
5



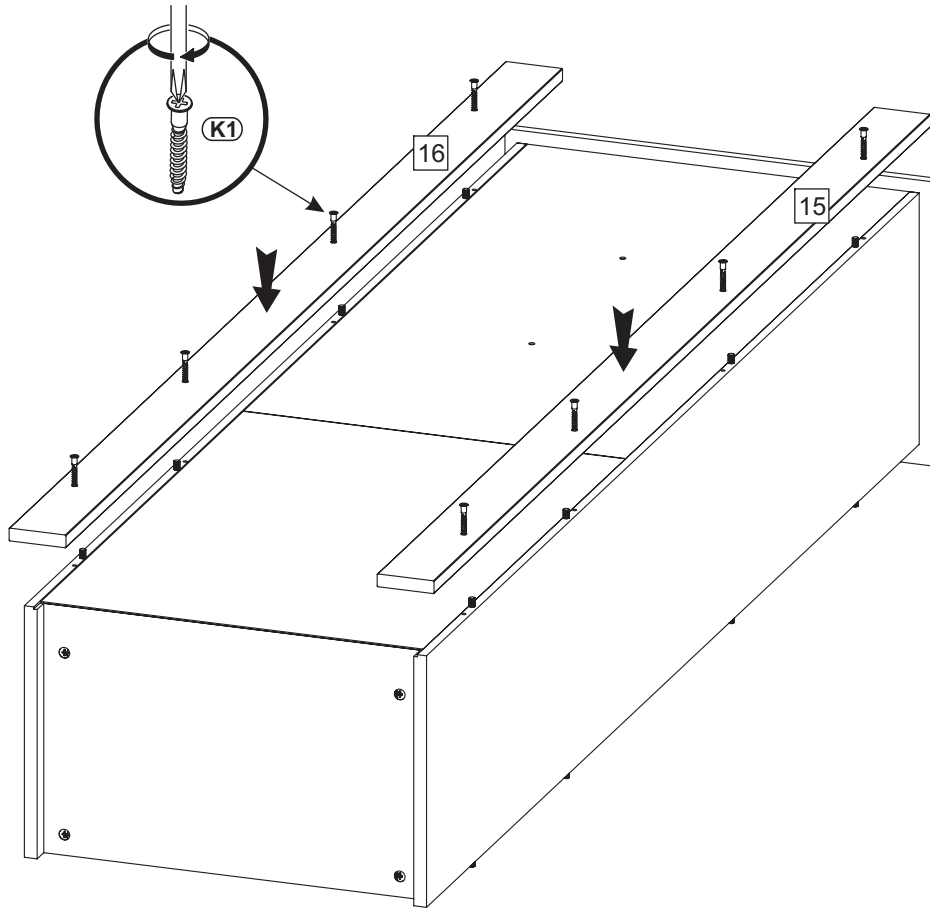
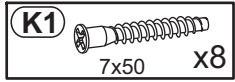
6



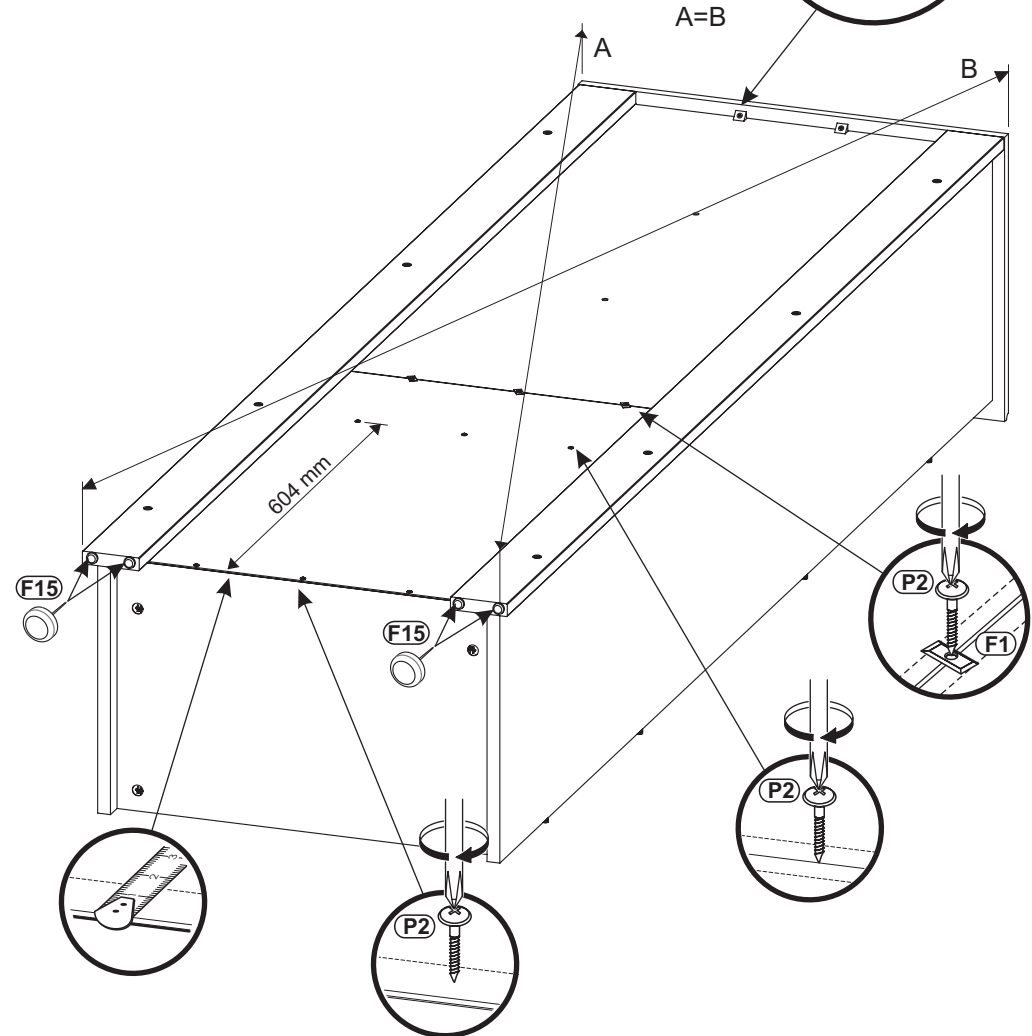
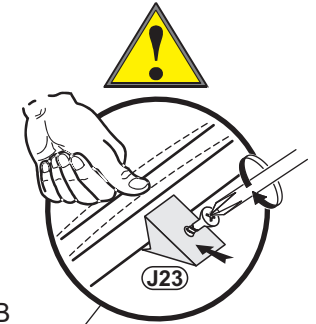
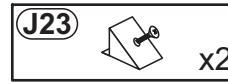
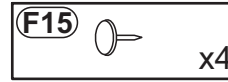
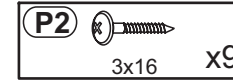
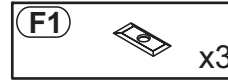
7



8

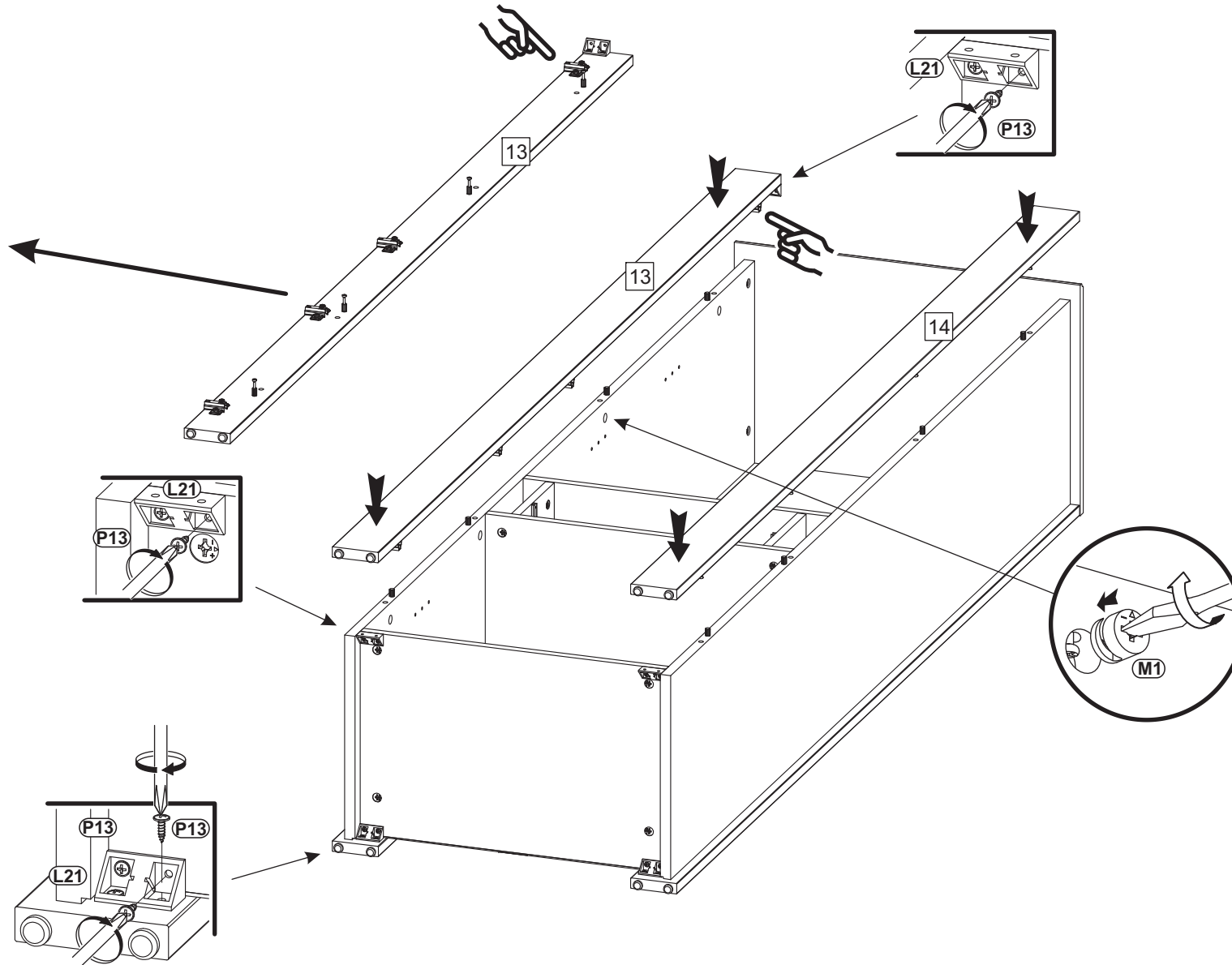
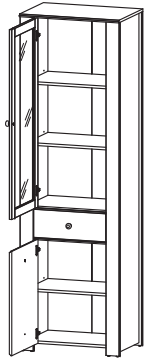
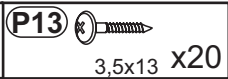
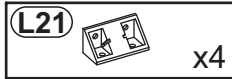


9





# 10



11

