

Triple Bunk bed - Natural

Assembly Instructions - Please keep for future reference

1477900



Dimensions

Length - 196cm

Depth - 151cm

Height - 149cm

Weight - 46kg

Important – Please read these instructions fully before starting assembly

If you need help or have damaged or missing parts, call the **Customer Helpline:**

0045 7668 8055 or e-mail: order@flexa.dk



Safety and Care Advice

Important – Please read these instructions fully before starting assembly

- Check you have all the components and tools listed on pages 2 and 3.
- Remove all fittings from the plastic bags and separate them into their groups.
- Keep children and animals away from the work area, small parts could choke if swallowed.
- Make sure you have enough space to layout the parts before starting.

- Do not stand or put weight on the product, this could cause damage.
- Assemble the item as close to its final position (in the same room) as possible.
- Assemble on a soft level surface to avoid damaging the unit or your floor.
- Parts of the assembly will be easier with 2 people.



- We do not recommend the use of power drill/drivers **for inserting screws**, as this could damage the unit. Only use hand screwdrivers.
- Dispose of all packaging carefully and responsibly.

Care and maintenance

- Only clean using a damp cloth and mild detergent, do not use bleach or abrasive cleaners.
- From time to time check that there are no loose screws on this unit.
- This product should not be discarded with household waste. Take to your local authority waste disposal centre.

IMPORTANT - READ CAREFULLY -RETAIN FOR FUTURE REFERENCE

ASSEMBLY:

Always follow the instruction. Current legislation requires that the high bed / bunk bed must be fitted with 4 safety-rails and a ladder or platform for the upper bunk. The high bed / bunk bed meets the European EN 747:2012 A1:2015 standards for security and durability.

MATTRESS:

This bed is designed to use a mattress size 190 cm long and 90 cm wide. The total thickness must not exceed 16,1 cm. The mattress top must not pass the marking on the ladder / the post for the safety-rail.

WARNING:

High beds and the upper bed of bunk beds are not suitable for children under six years due to the risk of injury from falls. Bunk beds and high beds can present a serious risk of injury from strangulation if not used correctly. Never attach or hang items to any part of the bunk bed that are not designed to be used with the bed, for example, but not limited to ropes, strings, cords, hooks, belts and bags. Children can be become trapped between the bed and the wall, a roof pitch, the ceiling, adjoining pieces of furniture (e.g. cupboards) and the like. To avoid risk of serious injury the distance between the top safety barrier and the adjoining structure shall not exceed 75 mm or shall be more than 230 mm.

Do not use the high bed / bunk bed if any structural part is broken or missing.

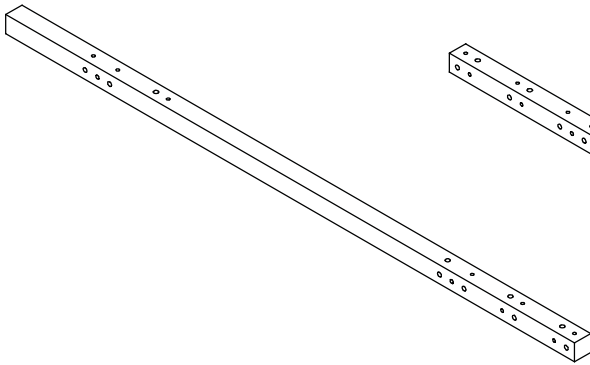
MAINTENANCE INSTRUCTIONS:

Check regularly that all assembly fastenings are properly tightened. Ventilation of the room is necessary in order to keep the humidity low and to prevent mould in and around the bed.

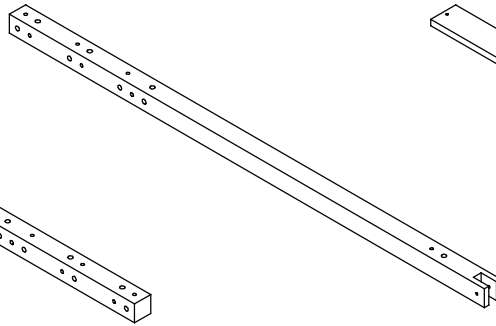
Components - Parts

If you have damaged or missing components, call the **Customer Helpline: 0045 7668 8055**

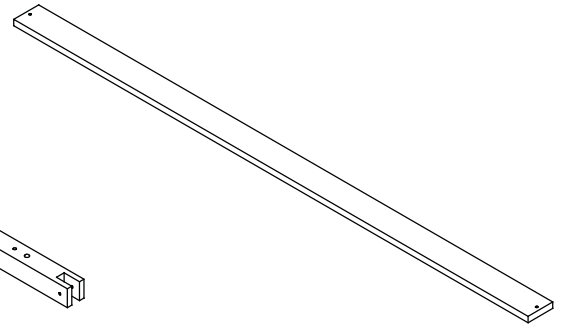
Please check you have all the parts listed below



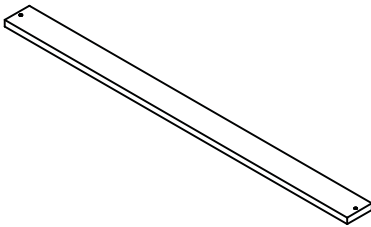
1 Leg x2 (149x4.3x4.3cm)
No. 12-04314902



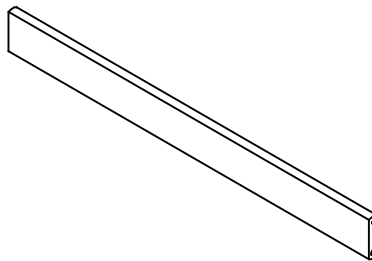
2 Leg x2 (124.5x4.3x4.3cm)
No. 12-04312452



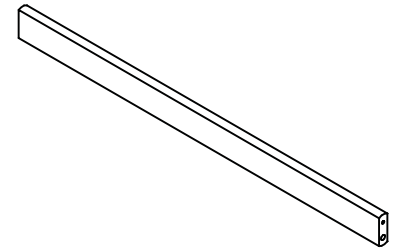
3 Slat x15 (134.7x6.5x1.5cm)
No. 12-01513471



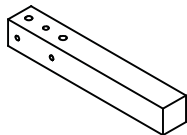
4 Slat x15 (89.7x6.5x1.5cm)
No. 12-01508971



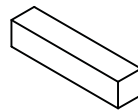
5 Endrail x2 (87.7x8.9x2.0cm)
No. 12-020087714



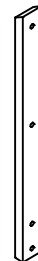
6 Endrail x6 (87.7x6.5x2.0cm)
No. 12-020087715



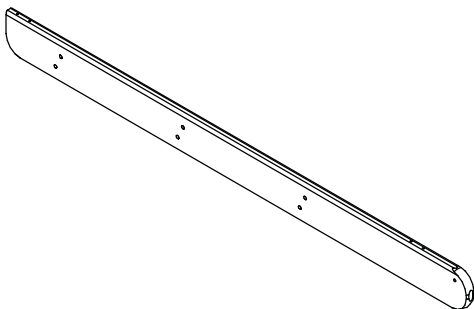
7 Leg x2 (29x4.3x4.3cm)
No. 12-04302901



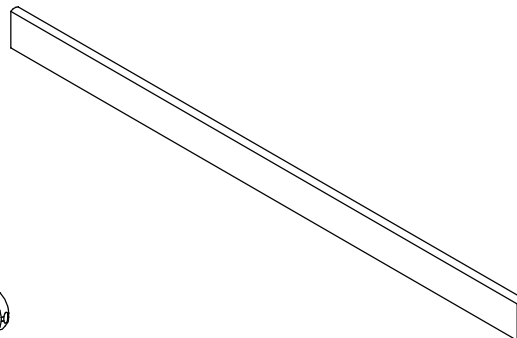
8 Leg x1 (20x4.3x4.3cm)
No. 12-04302001



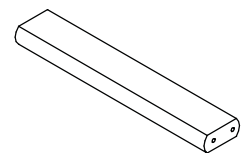
9 List f. safety rails x2
(31.8x2.8x1.2cm)
No. 12-01203181



10 Ladder side x2
(121x8.9x2.0cm)
No. 12-02012101



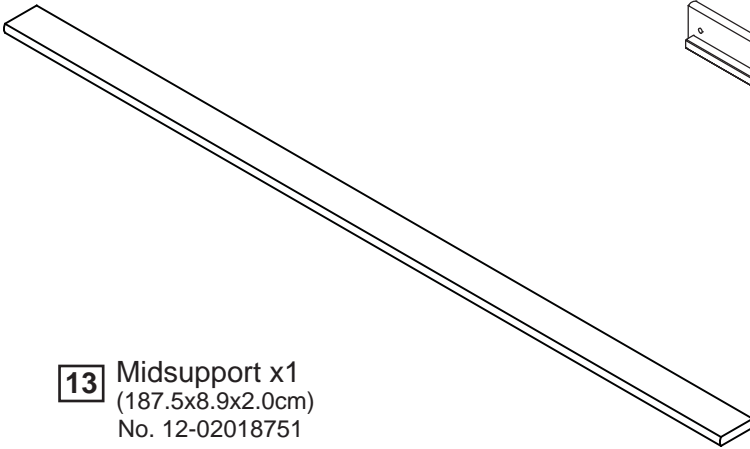
11 Endrail x2 (132.7x8.9x2.0cm)
No. 12-02013271



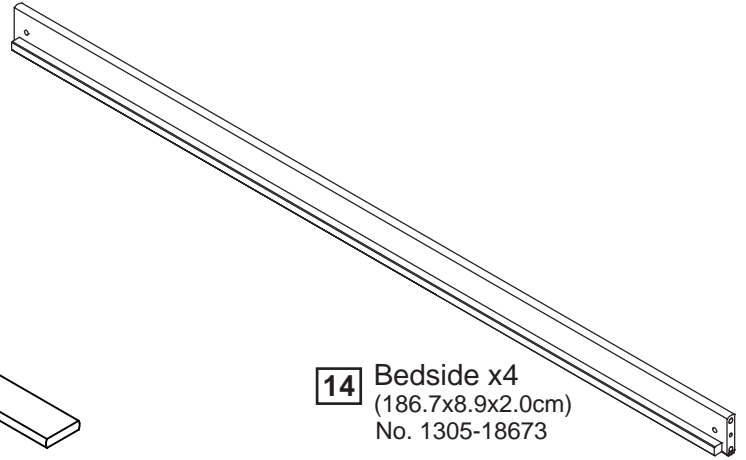
12 Tread x3 (31.8x6.0x2.6cm)
No. 12-02603181

Components - Parts

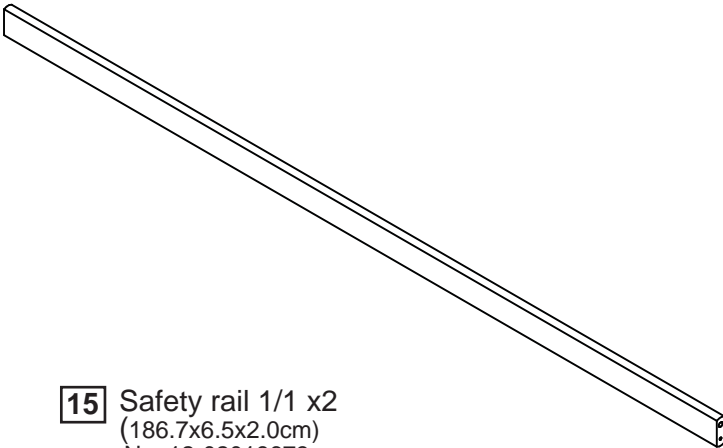
Please check you have all the parts listed below



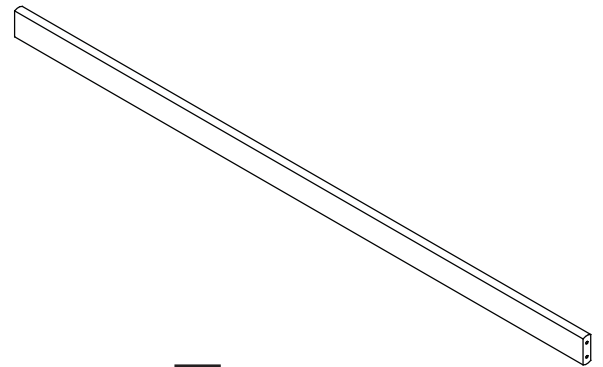
13 Midsupport x1
(187.5x8.9x2.0cm)
No. 12-02018751



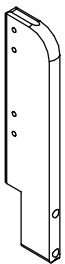
14 Bedside x4
(186.7x8.9x2.0cm)
No. 1305-18673



15 Safety rail 1/1 x2
(186.7x6.5x2.0cm)
No. 12-02018673



16 Safety rail 3/4 x2
(148.9x6.5x2.0cm)
No. 12-02014892

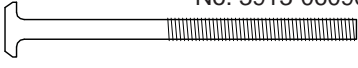

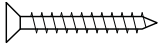

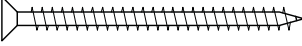
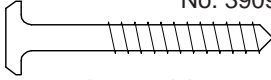






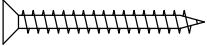
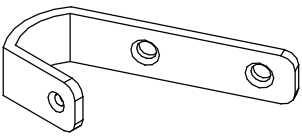
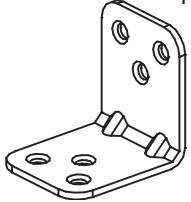
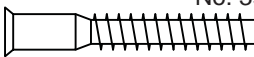


17 Short post x1
(36.8x8.9x2.0cm)
No. 12-02003681

Components - Fittings

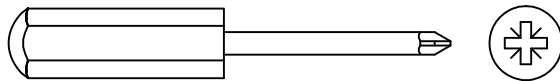
Please check you have all the fittings listed below

Note: The quantities below are the correct amount to complete the assembly. In some cases more fittings may be supplied than are required.

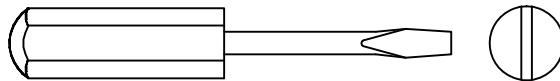
A  No. 3913-06090 M6x90mm Connecting bolt x8	B  No. 3922-06014 M6 Ø10x14mm Barrel nut x8	C  No. 3901-40030 4,0x30mm Chipboard screw x80
D  No. 3930-10045 10x45mm Dowel x38	E  No. 3901-45060 4,5x60mm Chipboard screw x3	F  No. 3909-63050 6,3x50mm Assembly screw x15
G  No. 3909-63090 6,3x90mm Assembly screw x30	H  No. 3938-00007-1 ø7mm Cover cap plastic x3	i  No. 3938-00010-1 ø10mm Cover cap plastic x22
J  No. 3939-00012 ø12mm Cover cap wood x2	K  No. 3901-30020 3,0x20mm Chipboard screw x4	L  No. 3903-40020 4,0x20mm Chipboard screw x12
M  No. 3901-45040 4.5x40mm Chipboard screw x2	O  No. 4007-029 Bracket for slanting ladder 26° x4	P  No. 4008-013 Angle 48x48x40x2,5mm x2
N  No. 3908-70050 7x50mm Conformat screw x1		

Tools required

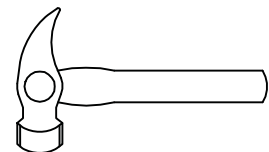
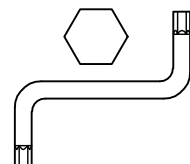
Phillips
screwdriver
(medium)



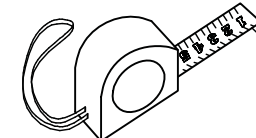
Flatblade
screwdriver
(medium)



Allen key
4mm incl.
No. 4033-004



Small
hammer



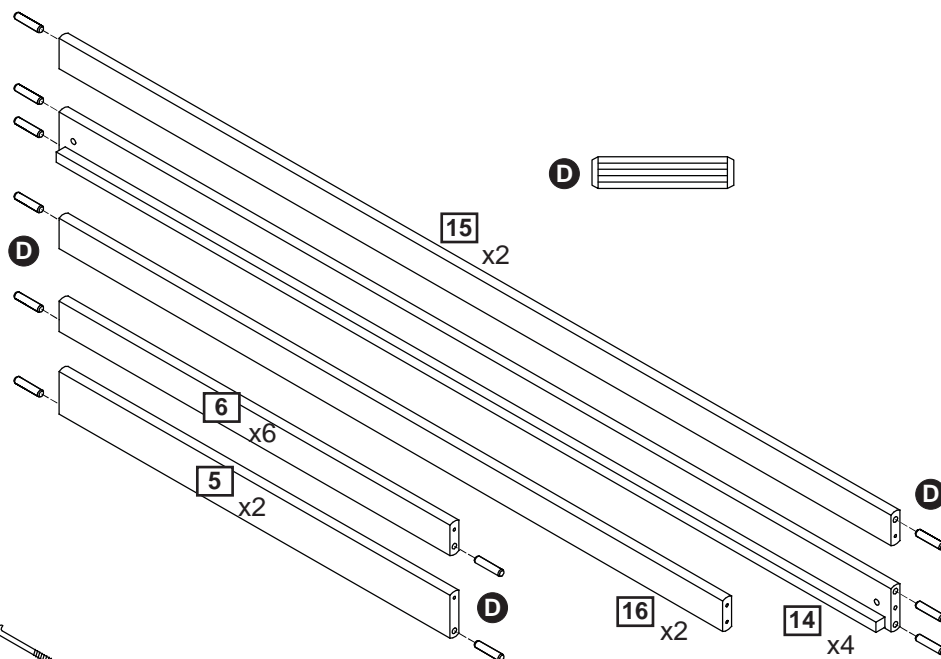
Ruler/tape
measure

Assembly Instructions

Step 1

Attach the dowels **D** to endrail **5** and **6** and to bedside **14** and to safety rail **15** and **16**

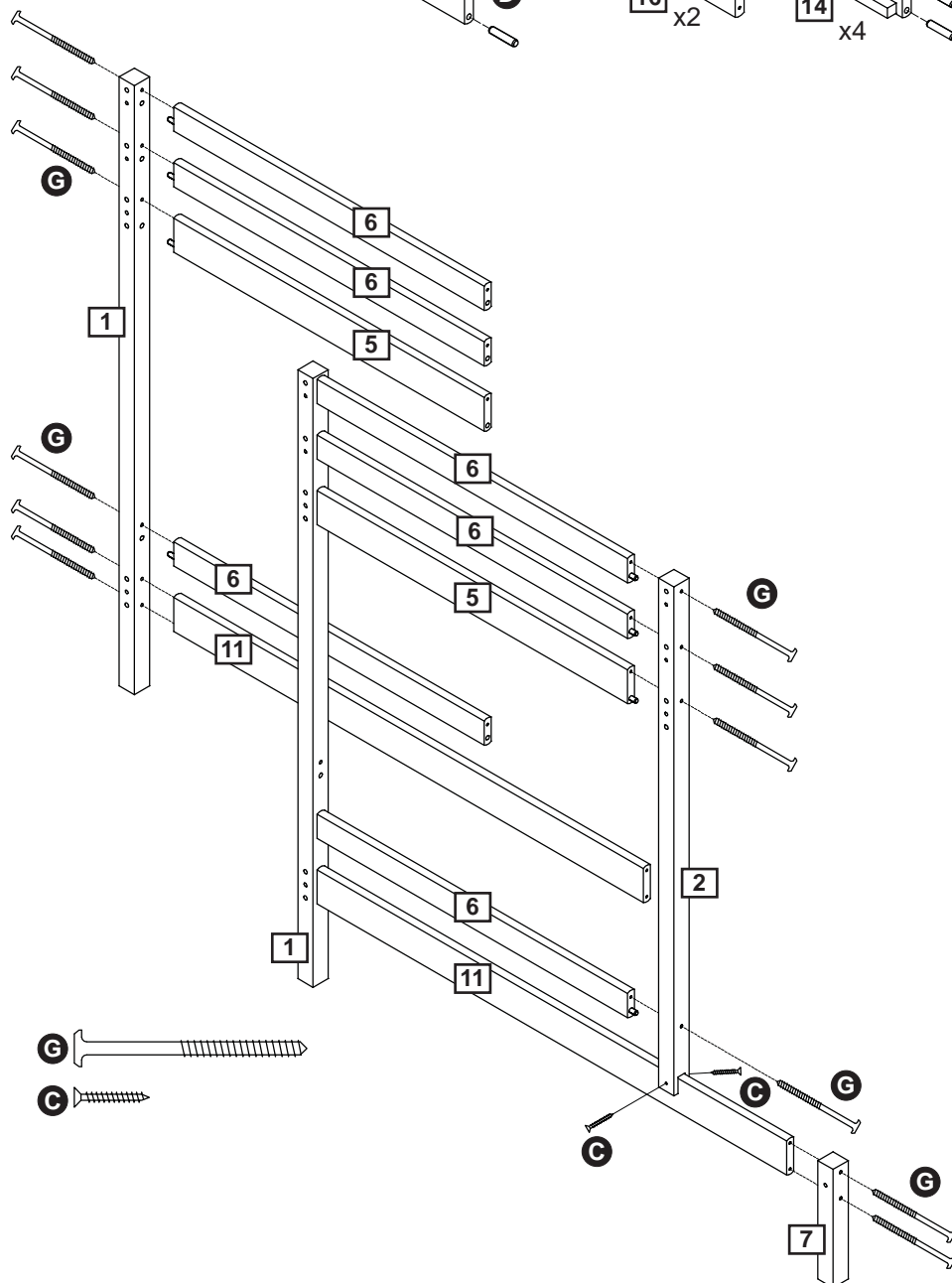
It may be necessary to tap the dowels in very gently with a small hammer.



Step 2

Attach leg **1** to endrail **5**, **6** and **11** with screws **G** using the allen key.

Repeat same procedure for both headboard and footboard



Step 3

Attach leg **2** to endrail **5** and **6** with screws **G** using the allen key.

Attach leg **2** to endrail **11** with the screws **C**.

Attach leg **7** to endrail **11** with screws **G** using the allen key.

Repeat same procedure for both headboard and footboard

Assembly Instructions

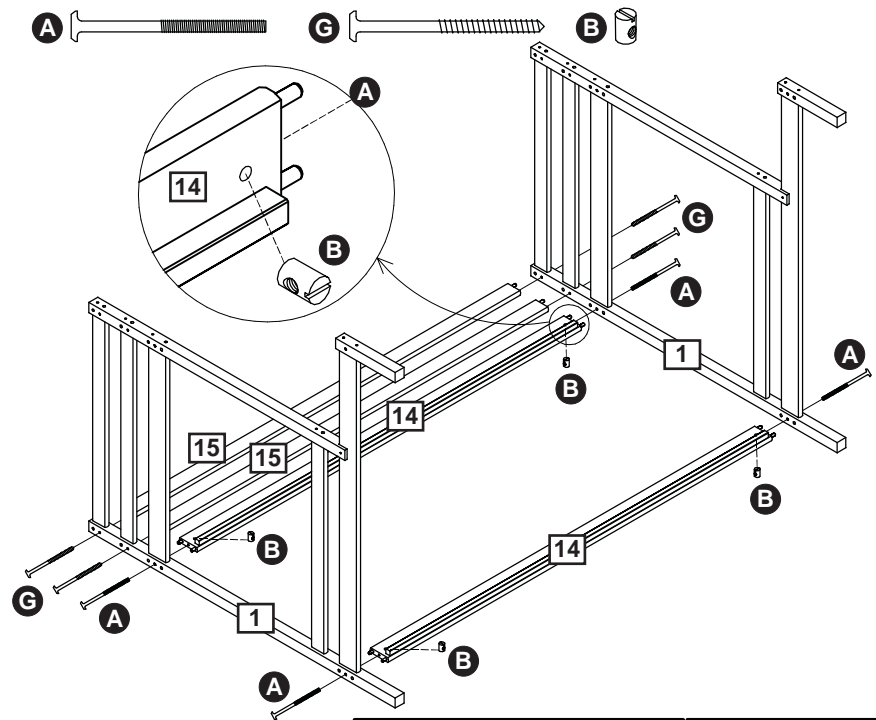
Step 4

Attach bed sides **14** and safety rails **15** to end boards firstly by placing the dowels into the holes in endboards. The thin rail attached to the bedside should face inwards.

Push barrel nut **B** into the small hole in the bedside **14**, the groove on barrel nut **B** should be horizontal.

Push connecting bolt **A** through each leg **1** to meet barrel nut **B** and then fasten with the allen key.

Attach safety rails **15** through the leg **1** with the screws **G**



Step 5

a: Attach bed sides **14** to the legs **2** and **7** by pushing the barrel nuts **B** into the small holes in the bedside **14**. Push connecting bolts **A** through the legs **2** and **7** to meet the barrel nuts **B**.

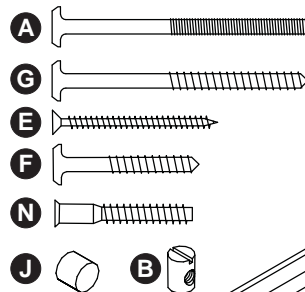
Attach safety rails **16** to the leg **2** with the screws **G**.

Fasten with the allen key.

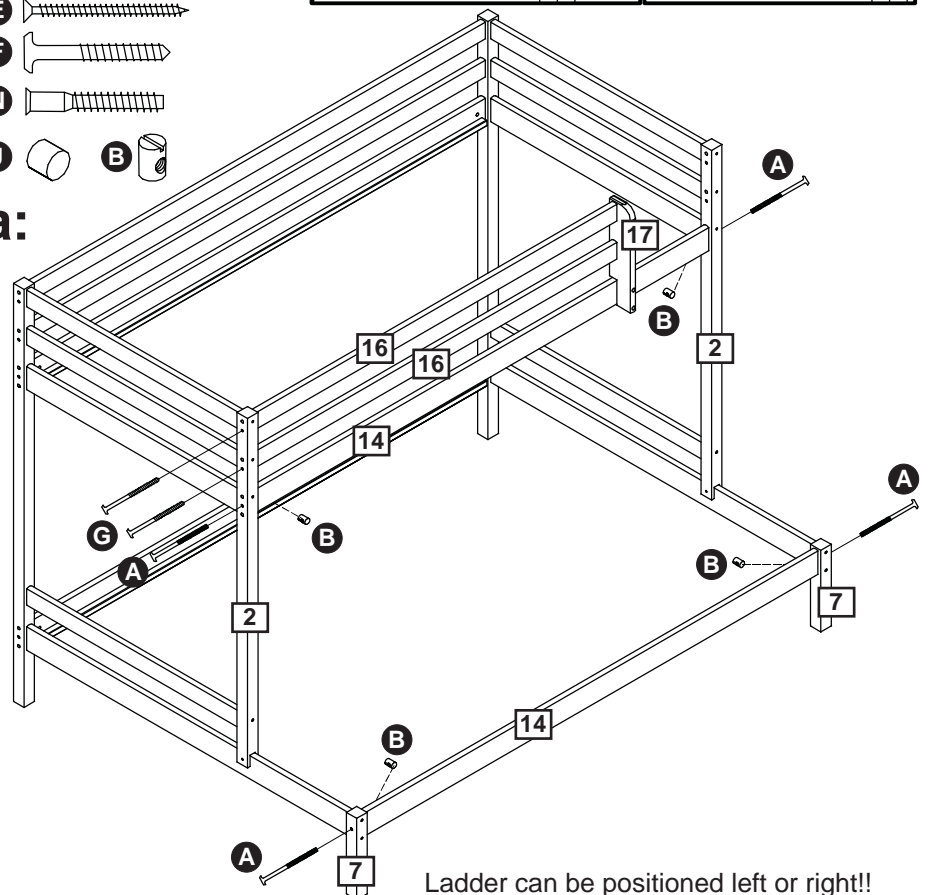
Ladder can be positioned left or right

b: Attach the short post **17** to the safety rails **16** with assembly screws **F** and confirmat screw **N**.

c: Attach the short post **17** to the bed side **14** with chipboard screws **E** and cover with cover cap **J**.



a:



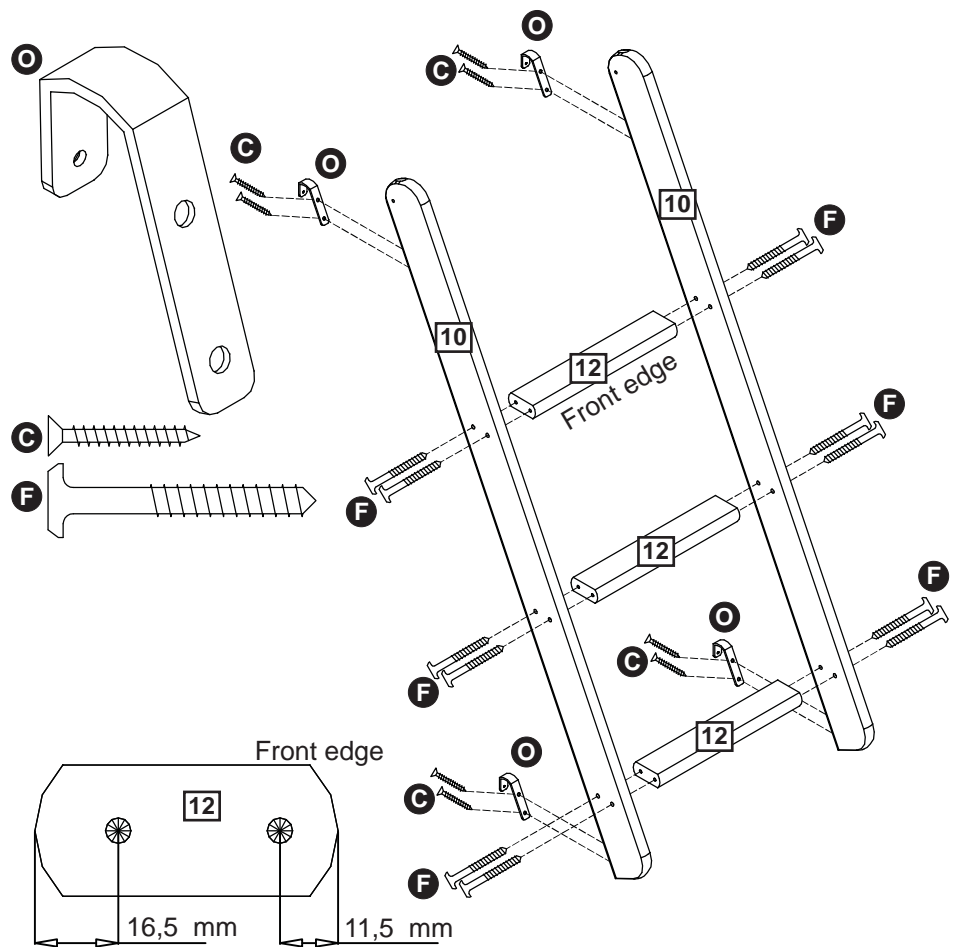
Ladder can be positioned left or right!!

Assembly Instructions

Step 6

Attach the treads **12** to the ladder sides **10** with the screws **F**.

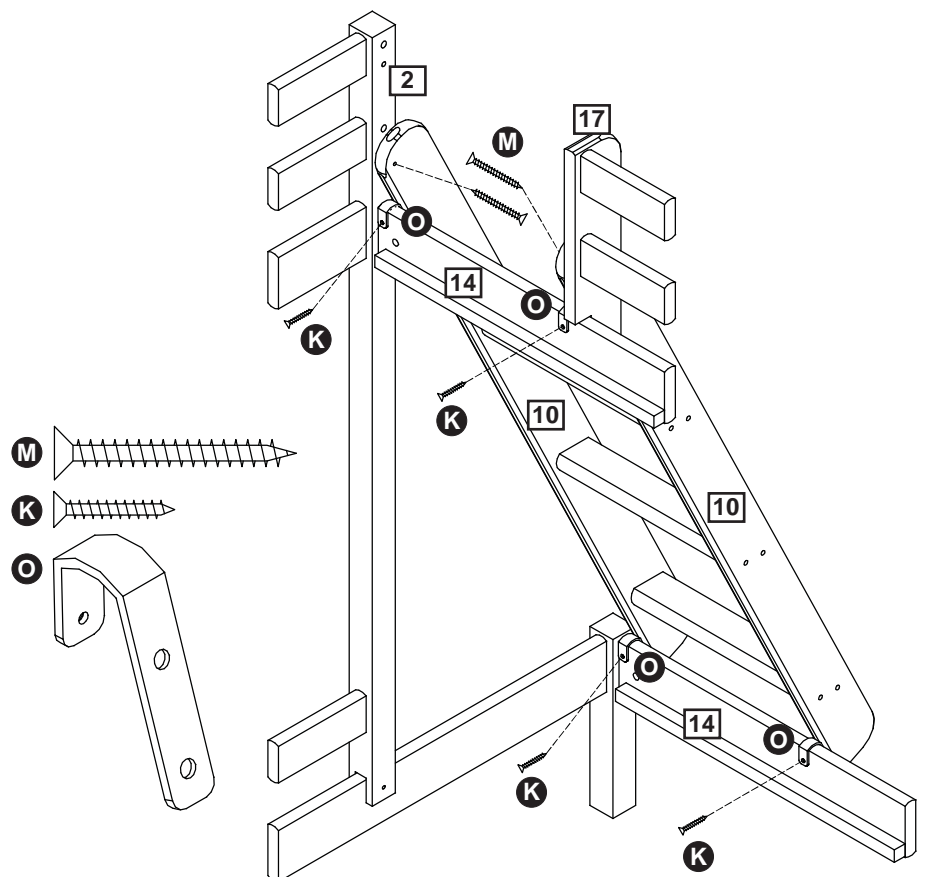
Attach the bracket **O** to the ladder side **10** with the screws **C**.



Step 7

Attach ladder sides **10** with the brackets **O** to the bed sides **14** with screw **K**.

Attach the ladder sides **10** to the leg **2** and to the short post **17** with the chipboard screws **M**.

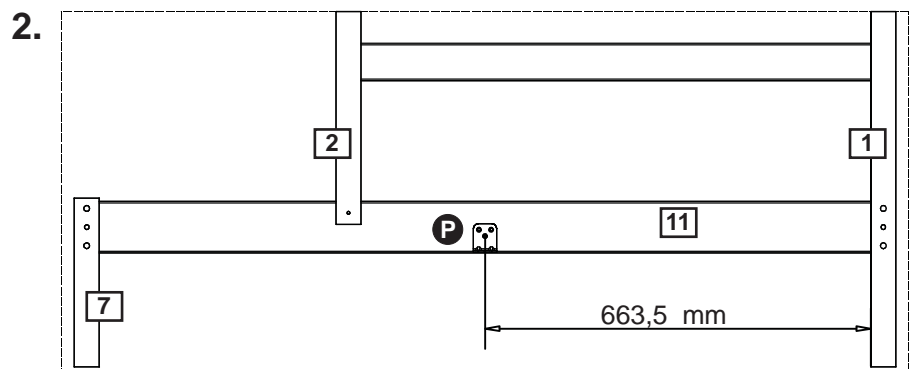
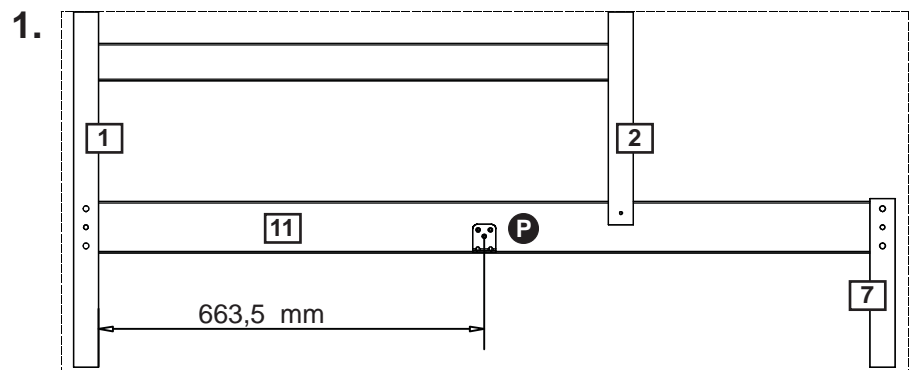


Assembly Instructions

Step 8

Angle **P** should be attached to the endrail **11** 663,5 mm from the leg **1** and 2 mm from the bottom of the endrail **11**.

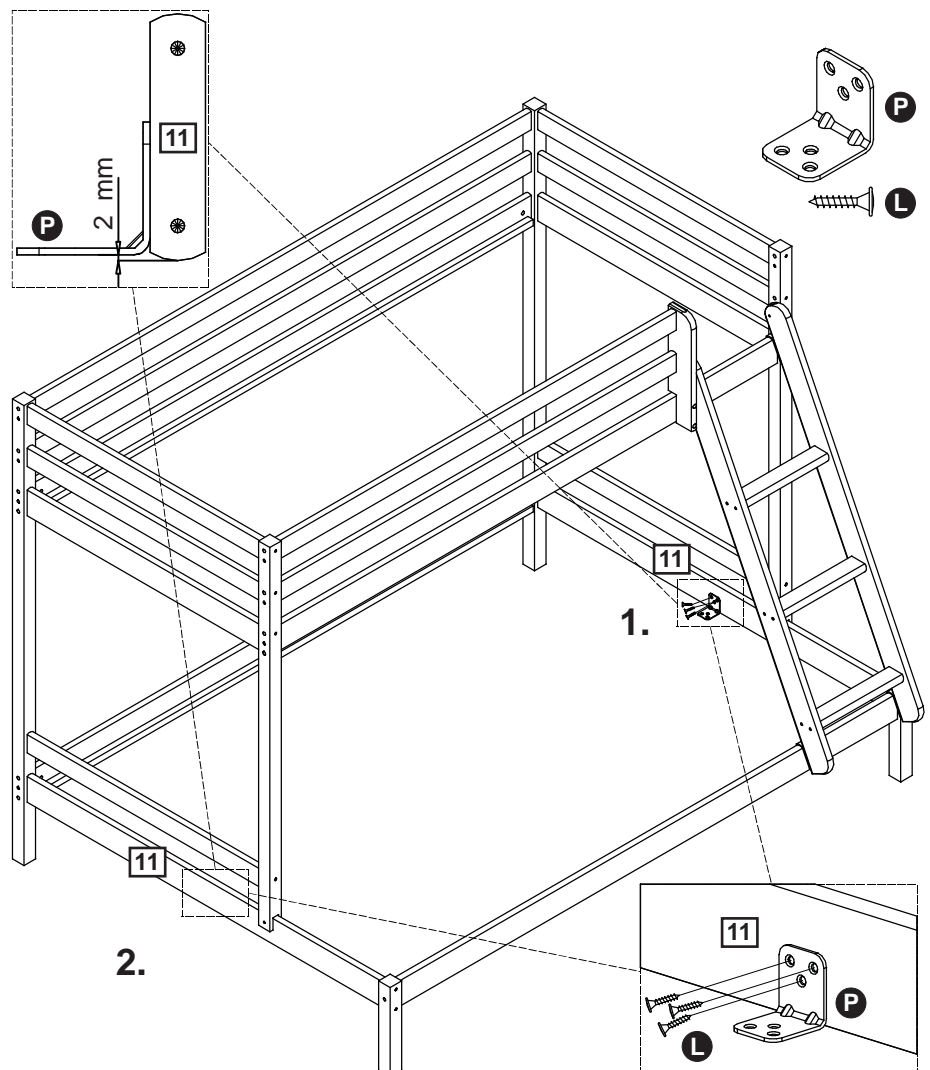
Follow the measurements.



Step 9

Attach angle **P** to the endrails **11** with the screws **L**.

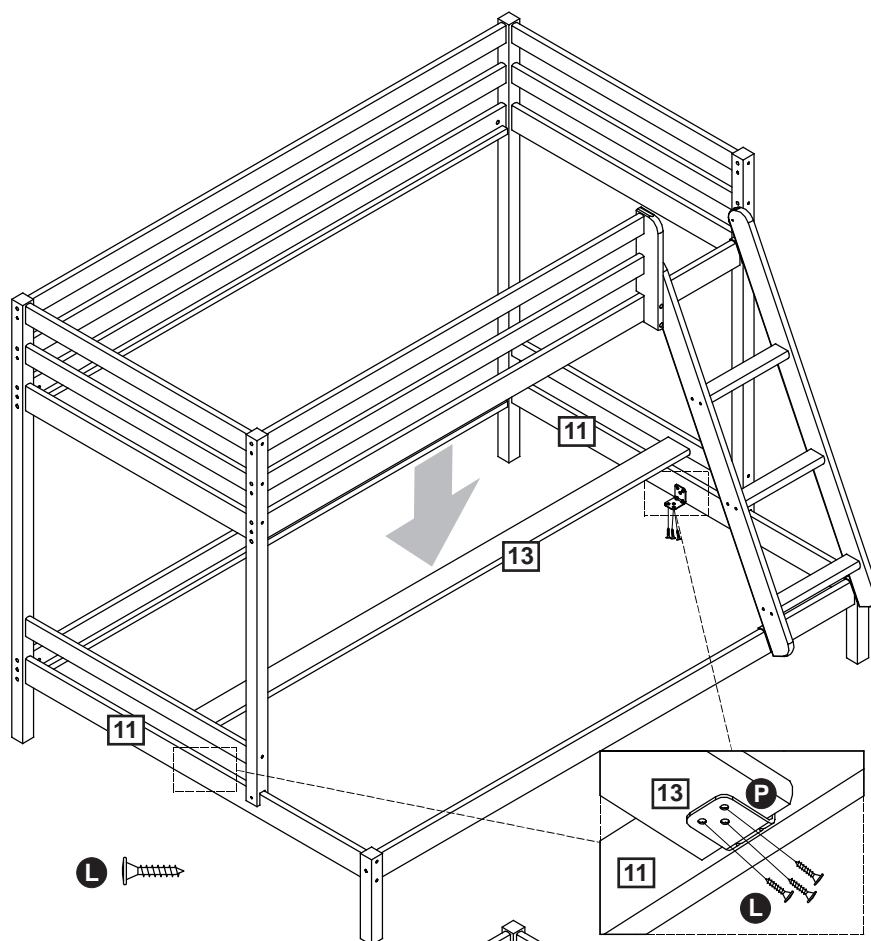
Follow the measurements.



Assembly Instructions

Step 10

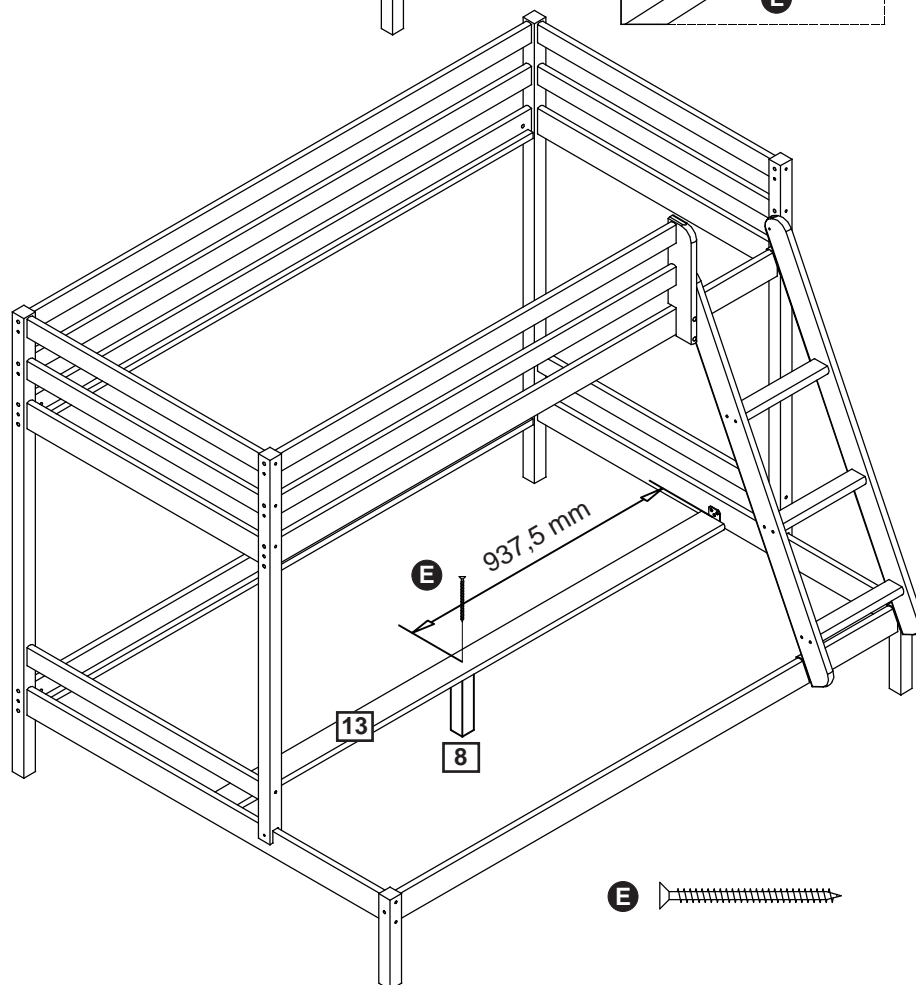
Place midsupport **13** onto the angles **P** and attach it with the screws **L**.



Step 11

Attach the leg **8** to the midsupport **13** with the screw **E**.

Follow the measurement.



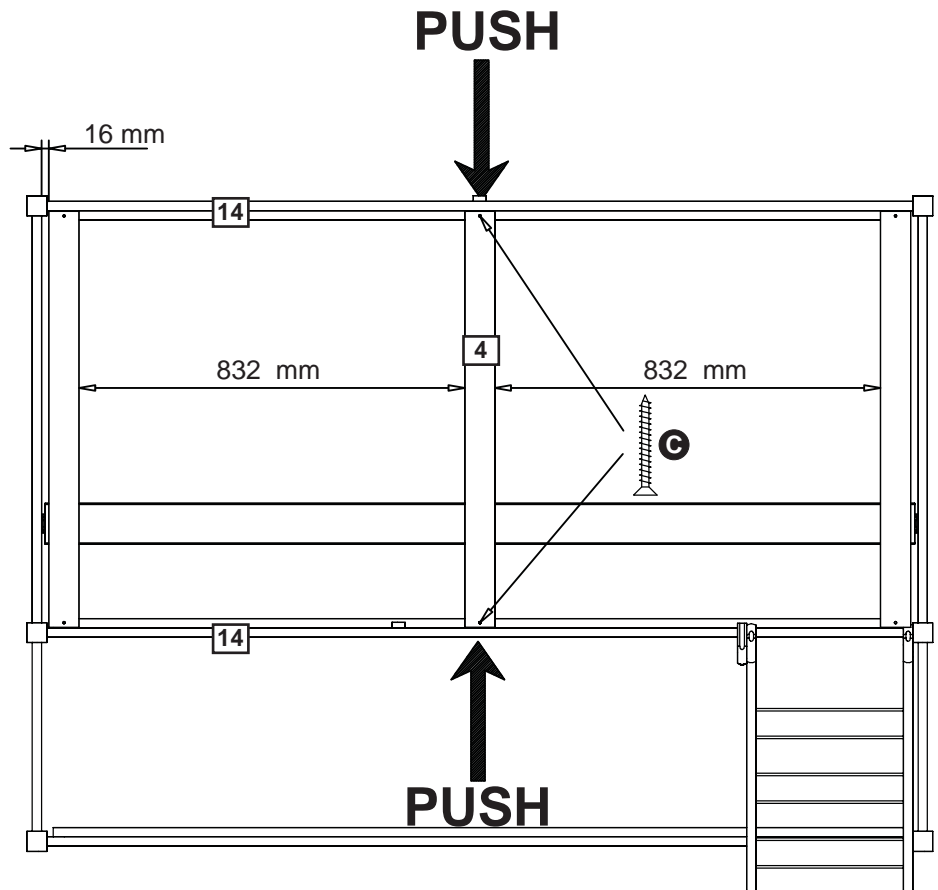
Assembly Instructions

Step 12

Place 1 slat **4** (slat **3** is for the bottom bed) in the center of the bed and two slats **4** in both ends of the bed, 16mm from bed ends. Follow the measurements.

Push the bed sides **14** together whilst attaching slat **4** to the bed with 2 chipboard screws **C**

Repeat same procedure for the bottom bed.

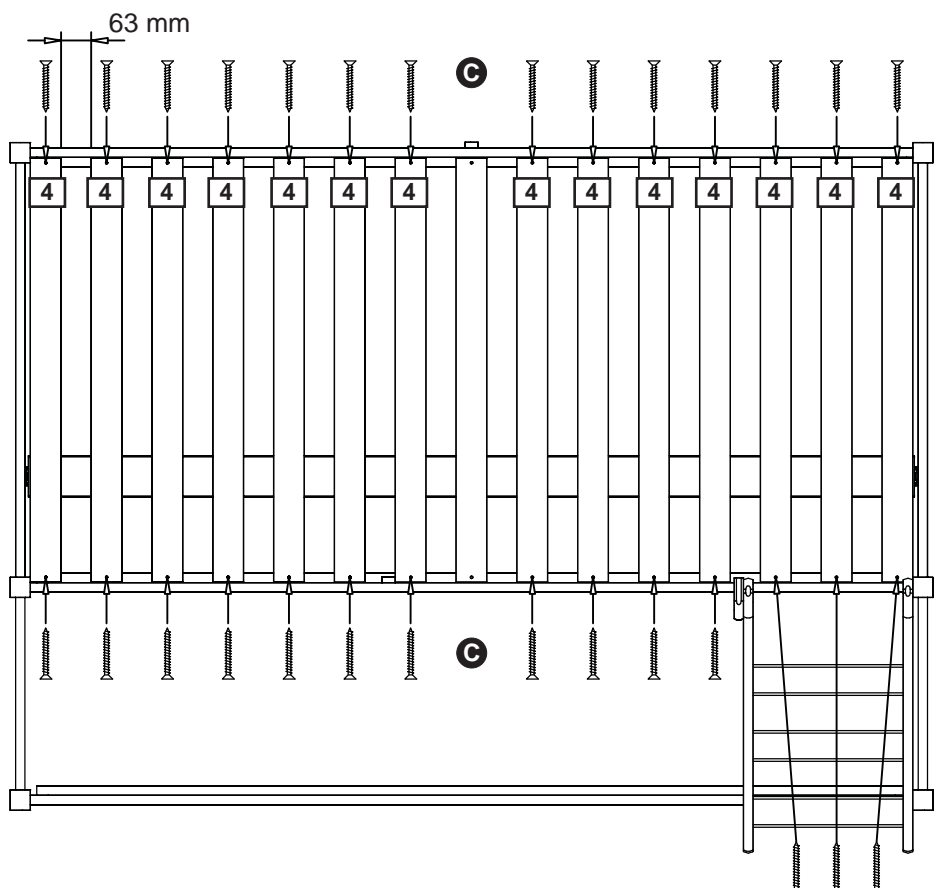


Step 13

Position the remaining 12 slats **4** (slat **3** is for the bottom bed) in the bed with a distance of 63 mm between each.

Fasten each slat **4** with 2x chipboard screws **C**

Repeat same procedure for the bottom bed.



Assembly Instructions

Step 14

Attach the safety list **9** inside the bed, on the front safety rails **16**. Should be in the center of the front guards **16** between the slats **4**.

Attach it **9** to the safety rails **16** and bedside **14** with chipboard screws **C**.

Follow the measurement.

Attach the safety list **9** on the outside of the bed, on the back safety rails **15**.

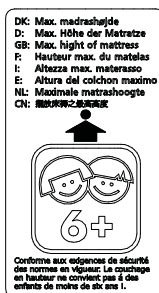
Should be in the center of the back guards **15**.

Attach it **9** to the safety rails **15** and bedside **14** with chipboard screws **C**.

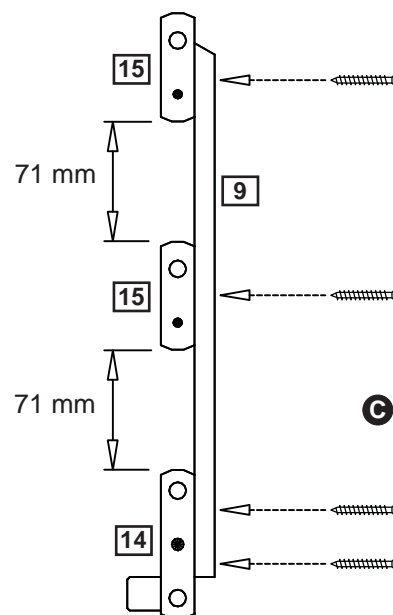
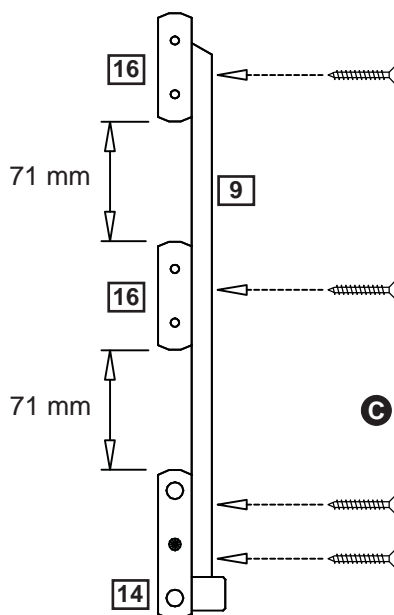
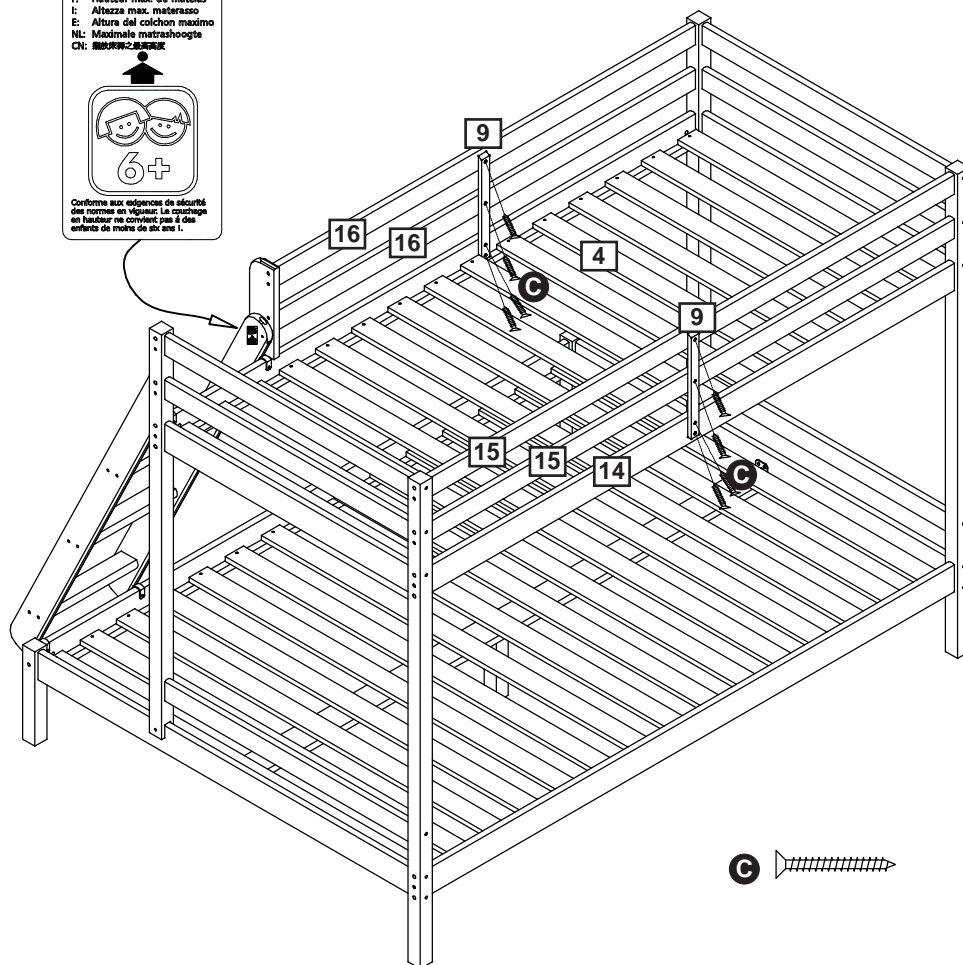
Follow the measurement.

Max. mattress height !

Assembly is complete.



Max. mattress height !



If you need help or have damaged or missing parts, call the **Customer Helpline: 0045 7668 8055**
E-mail: order@flexa.dk