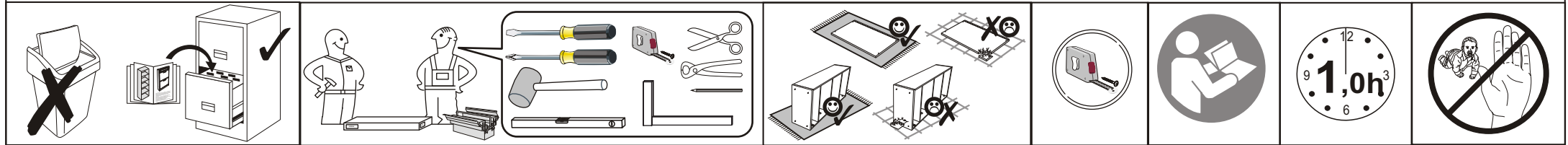
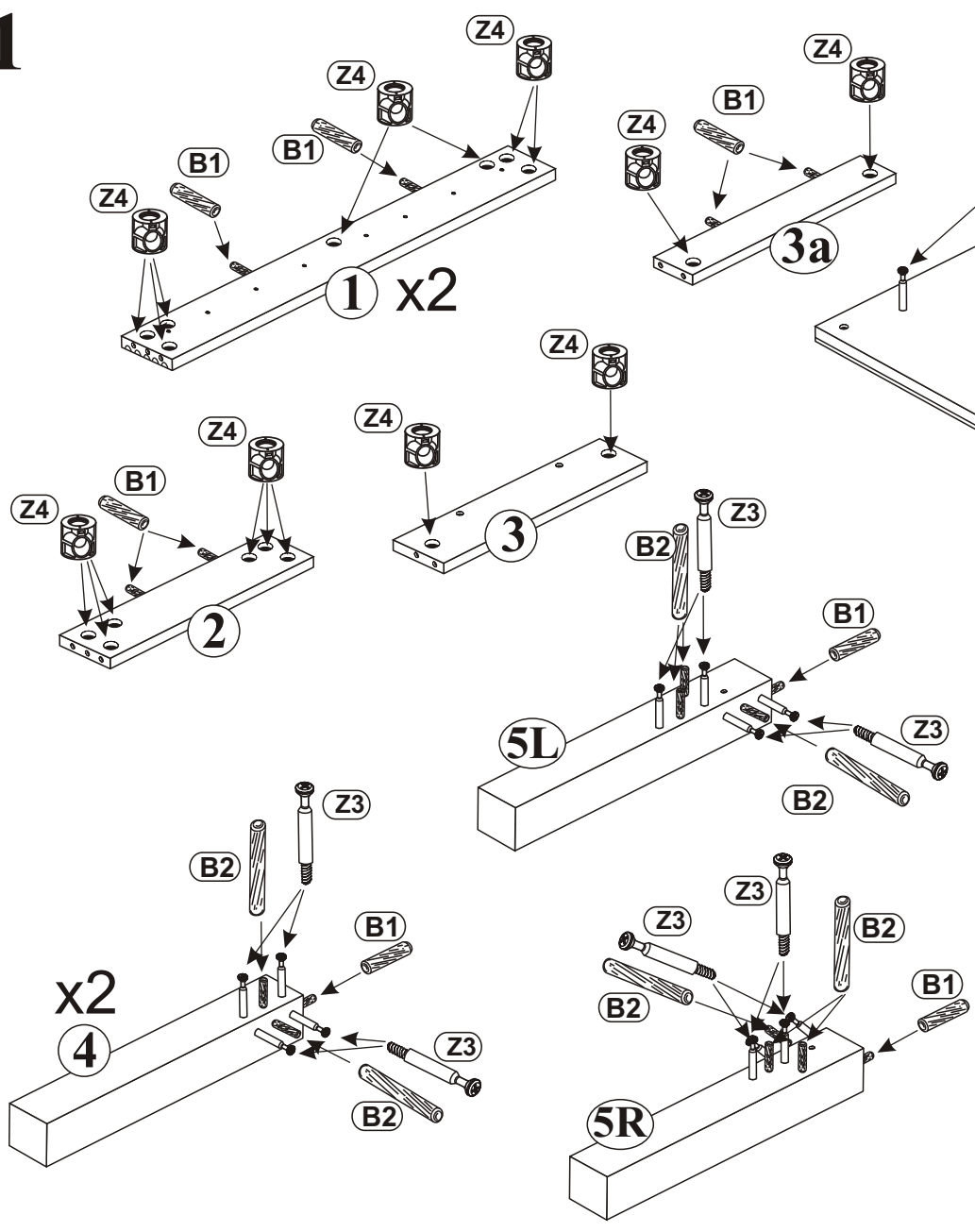


NR 1	NR 2
<b>B1</b> 8x28 x12	<b>R36</b> x1L/1R
<b>B2</b> 8x45 x10	<b>E2</b> 6,0x11 x4
<b>Z4</b> x24	<b>T2</b> x2
<b>Z3</b> x24	<b>M2</b> x2
<b>S3</b> 4x25mm x8	<b>P7</b> 4x30 x2
	NR 3
	<b>U22</b> x1
	<b>A18</b> 4,0x25 x1

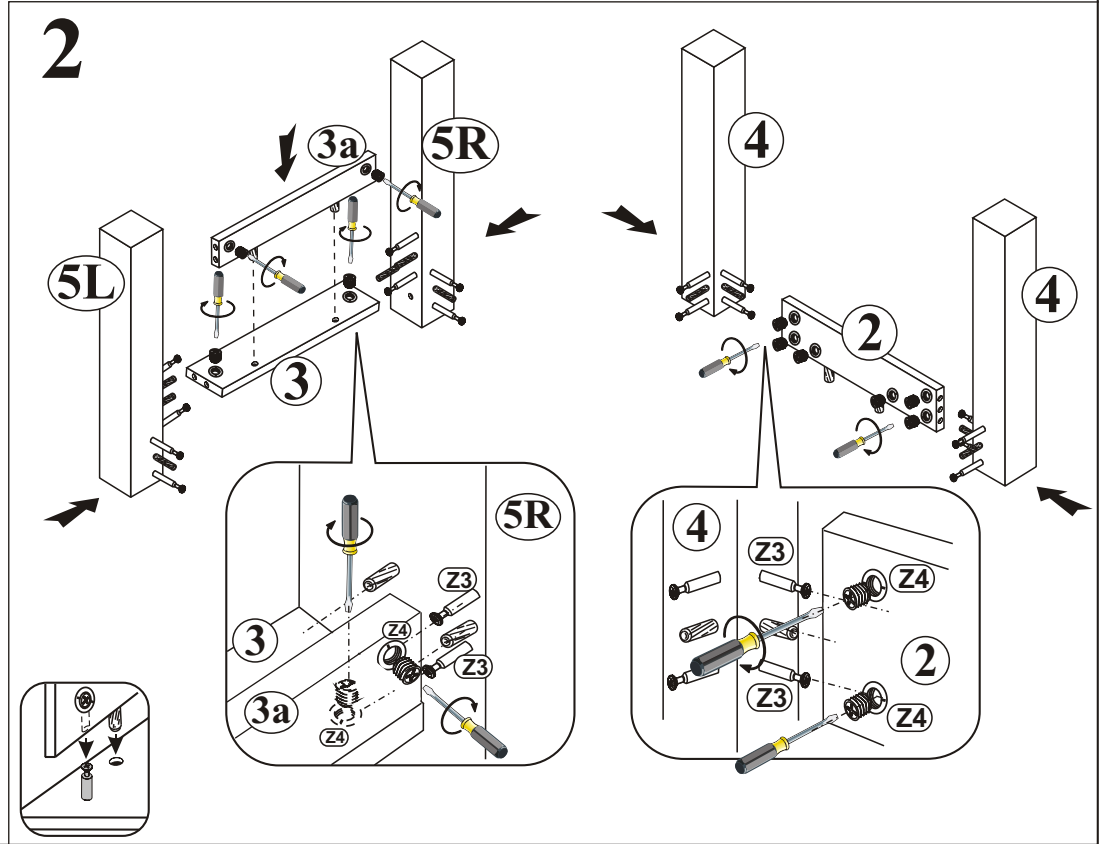


# 1

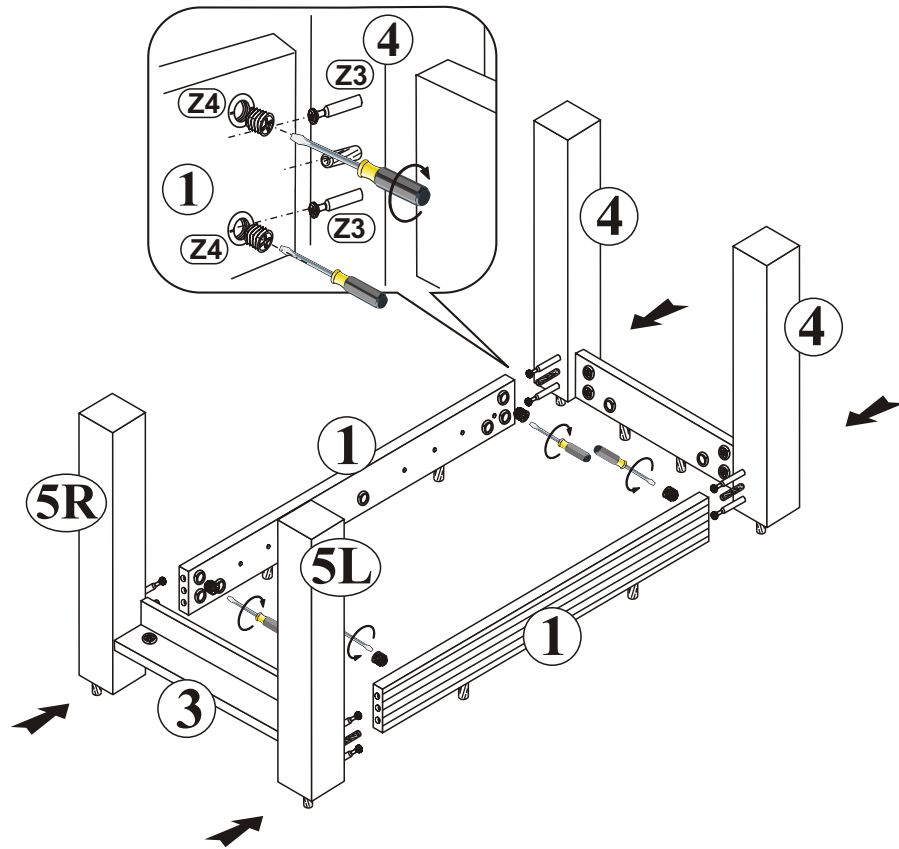


<b>B1</b> 8x28 x12	<b>Z4</b> x24
<b>B2</b> 8x45 x10	<b>Z3</b> x24

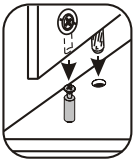
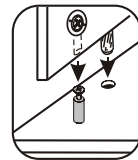
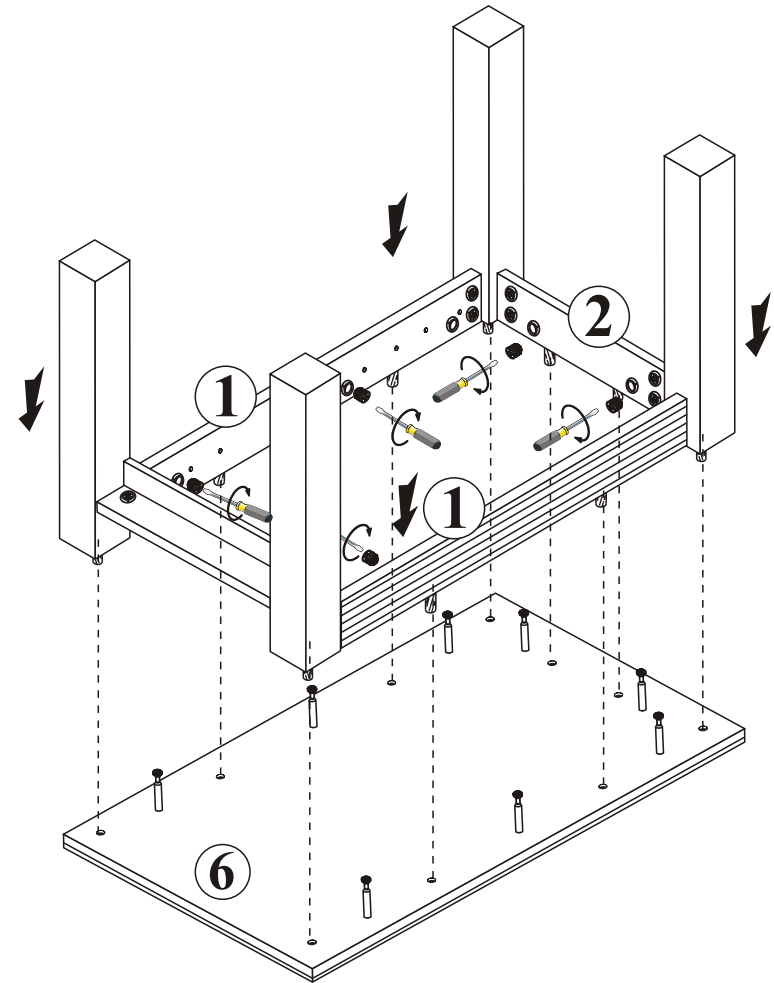
# 2



3



4




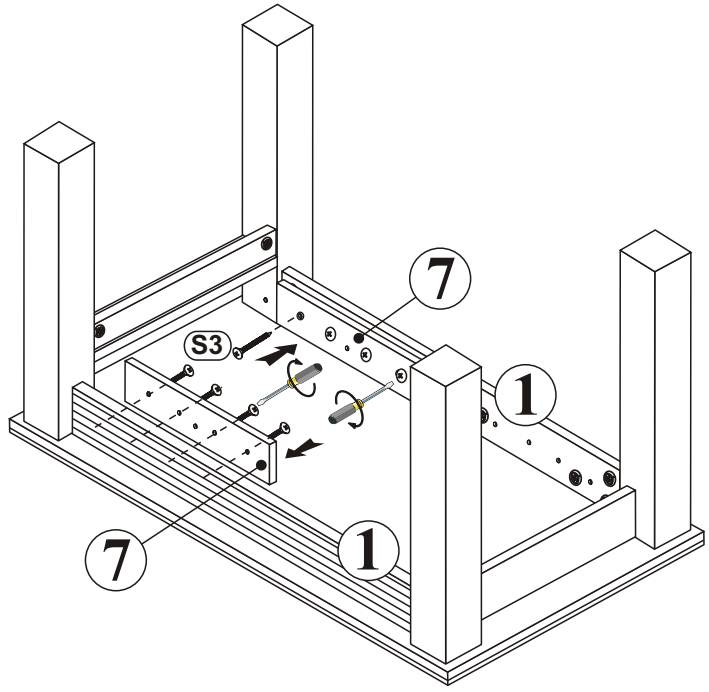
# LIMA

# P9--LM97


4 / 5


## 5


**S3**  4x25mm X8

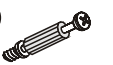


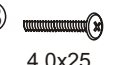
## 6


**M2**  **10L**

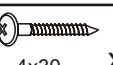
**M2**  **10R**

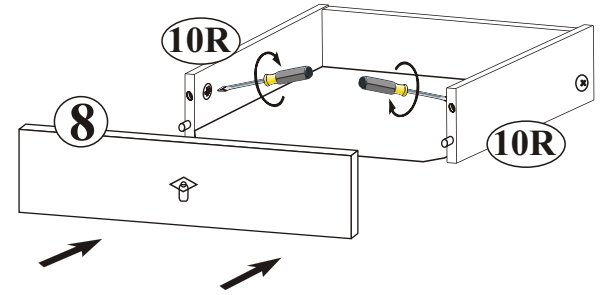
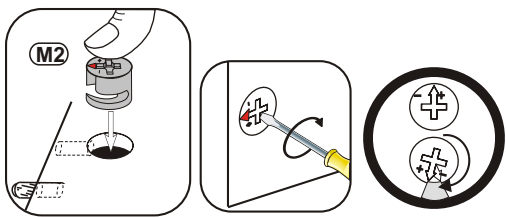
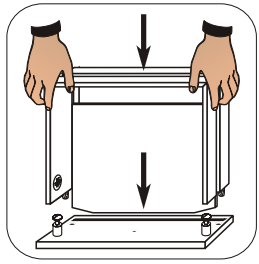
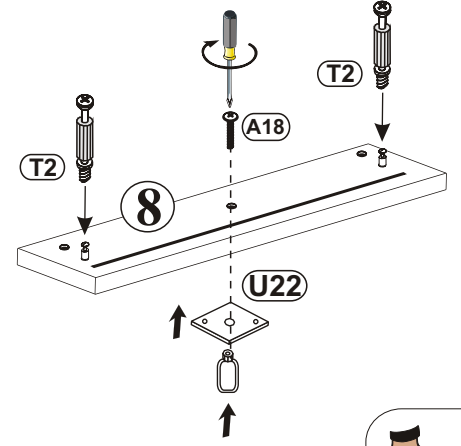
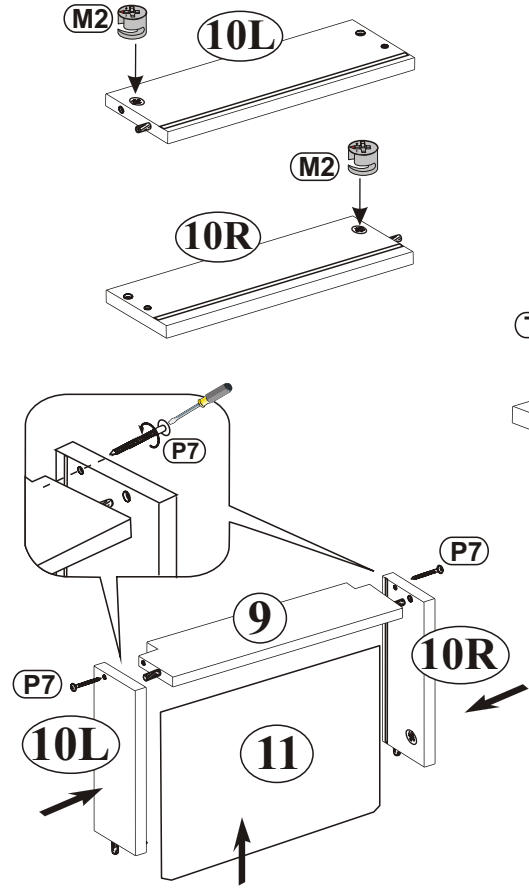
**U22**  X1

**T2**  X2

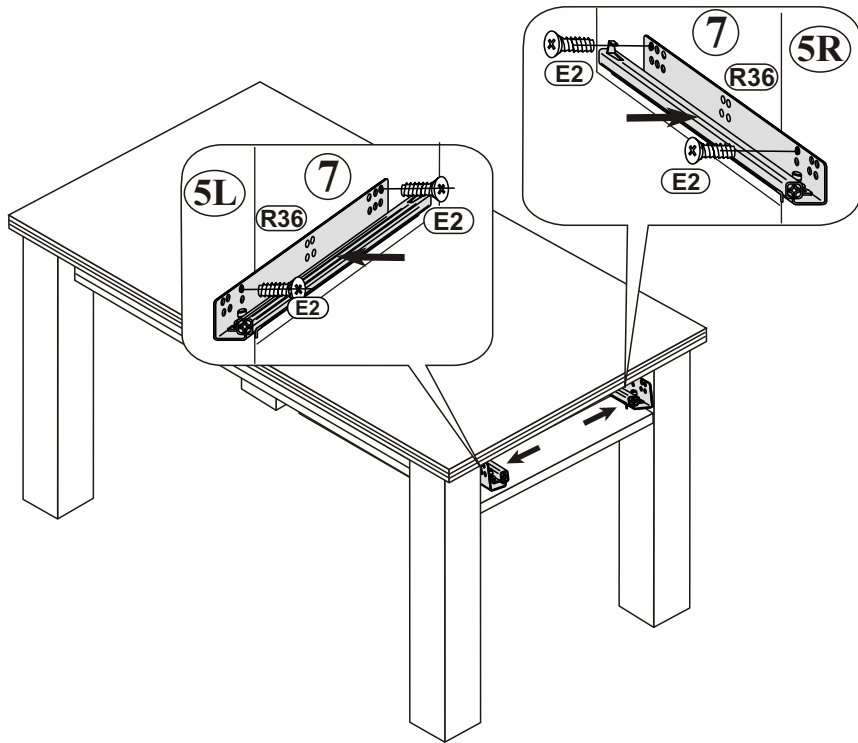
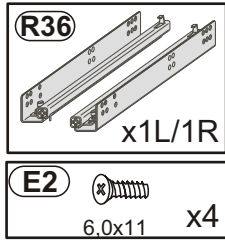
**A18**  4,0x25 X1

**M2**  X2

**P7**  4x30 X2



7



8

