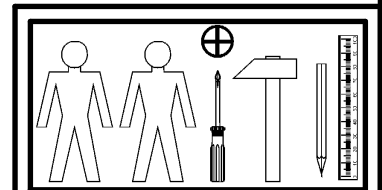
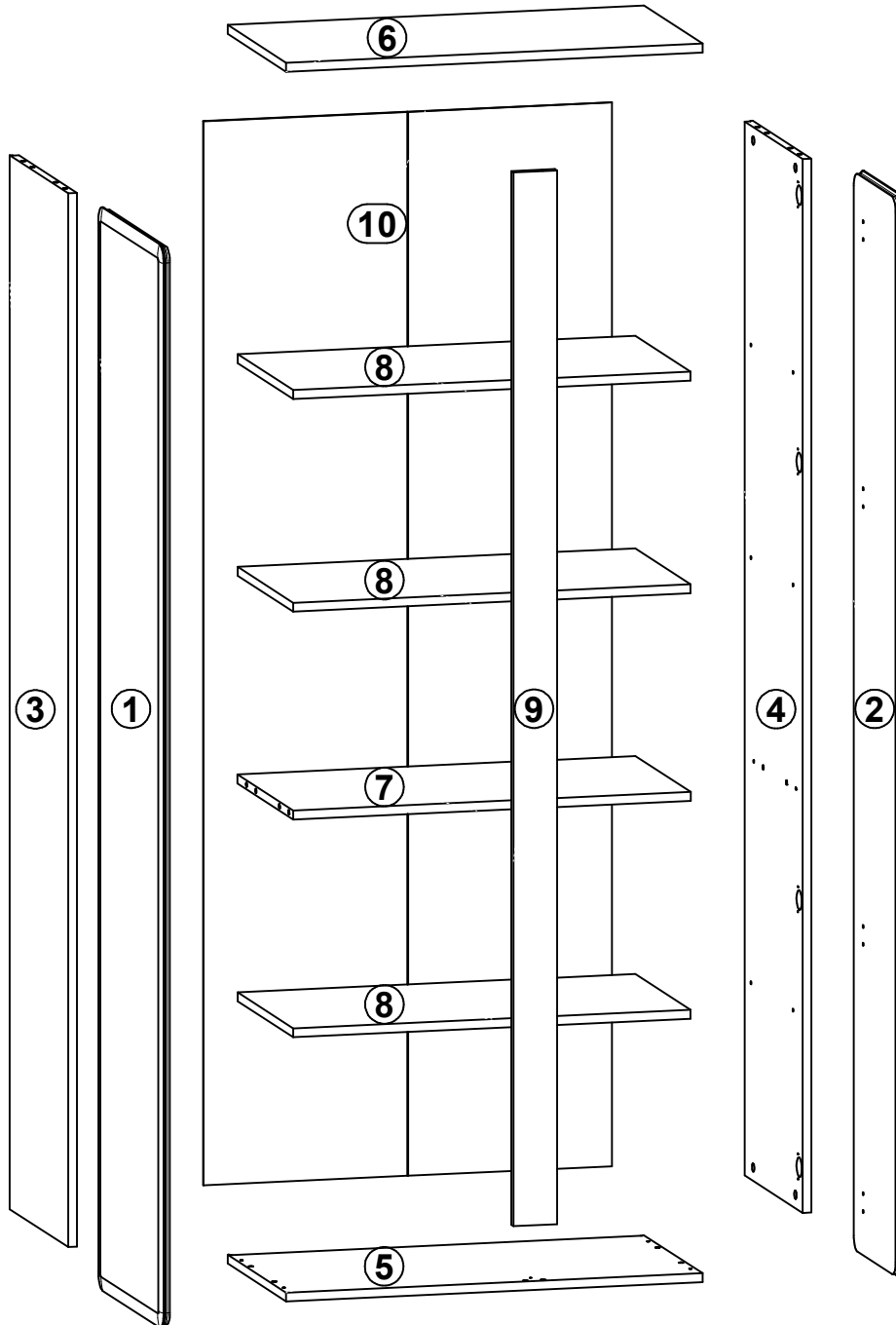
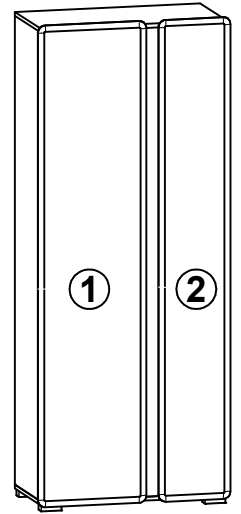
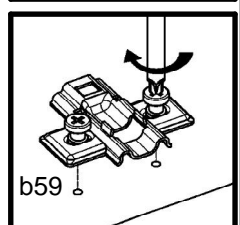
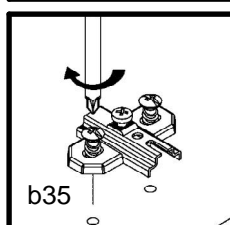
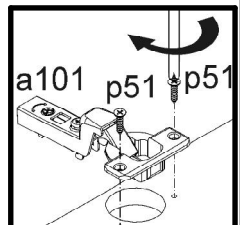
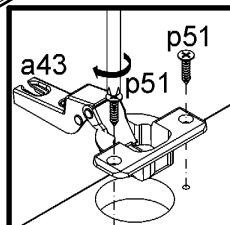
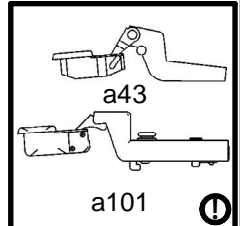
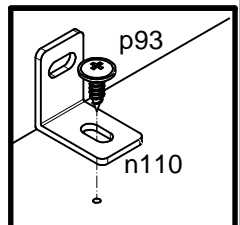
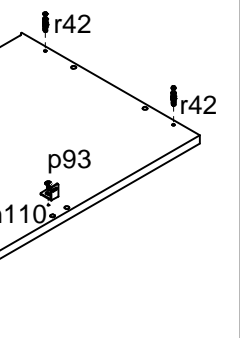
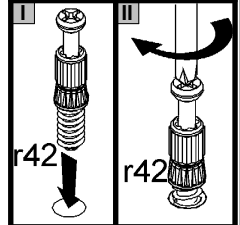
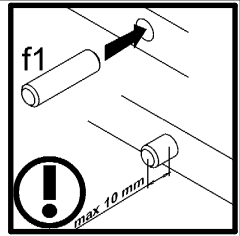
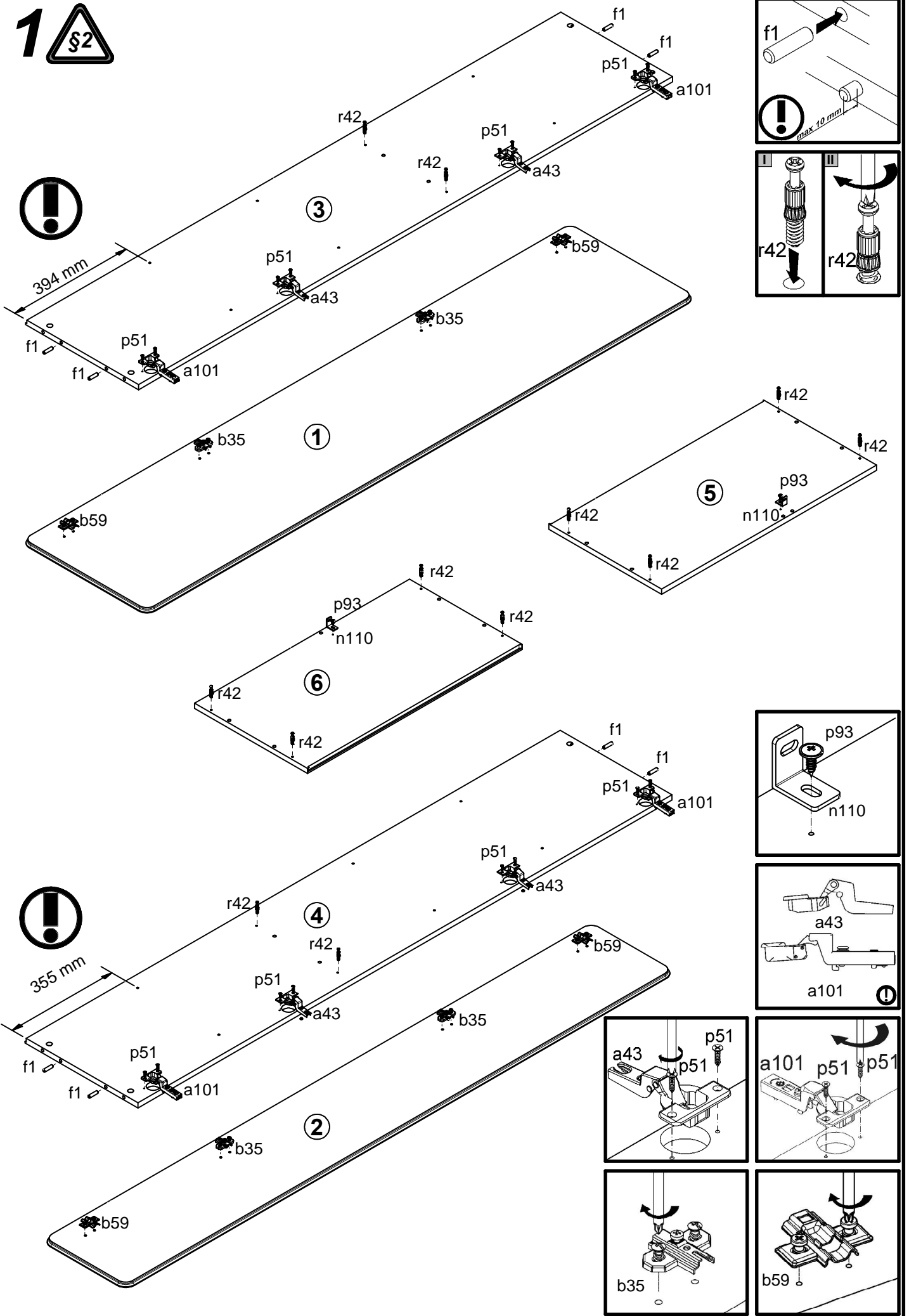


A	B	C	D
1	S326-0001	1946	446 3/3
2	S326-0002	1946	296 3/3
3	S326-1001	1893	400 1/3
4	S326-1002	1893	400 1/3
5	S326-2001	762	400 2/3
6	S326-2002	762	400 2/3
7	S326-3001	728	379 2/3
8	S326-3002	727	379 2/3
9	S326-4001	1893	80 1/3
10	S326-9301	1911	747 1/3

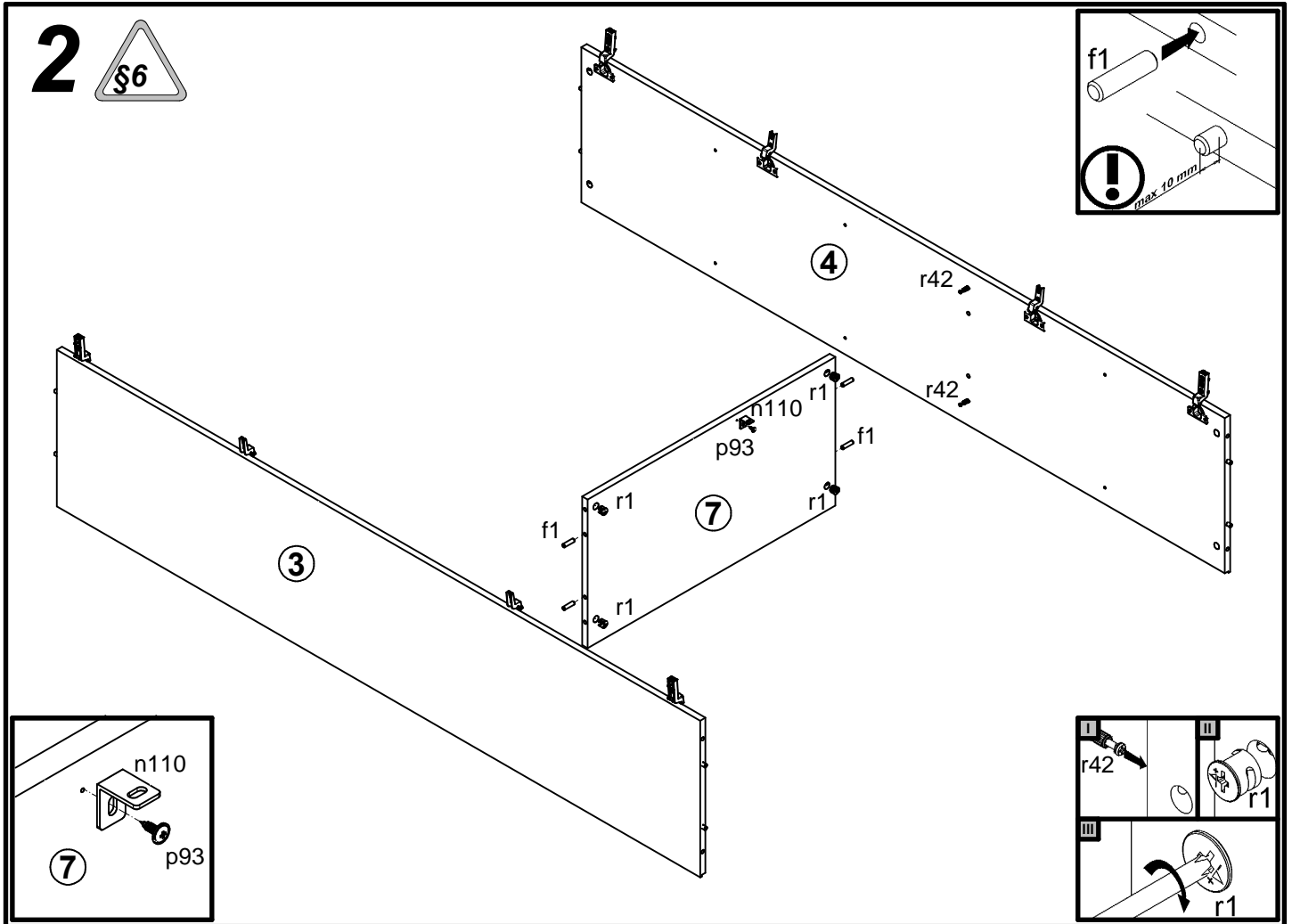


4x K16, #35 a101	4x K16 a43	4x D3 b35	4x b59	12x Ø5x17 mm d1	16x Ø8x30 mm f1	4x 84x40/25 mm k77	65x l1	3x 25x25x16/2 n110
8x Ø4x25 mm p36	16x Ø3.5x15 mm p51	6x Ø4x13 mm p93	12x Ø15x12 mm #16 r1	12x 20/11 r42	8x Ø16 s2	1x n26/1	1x Ø3.5x16 mm p38	

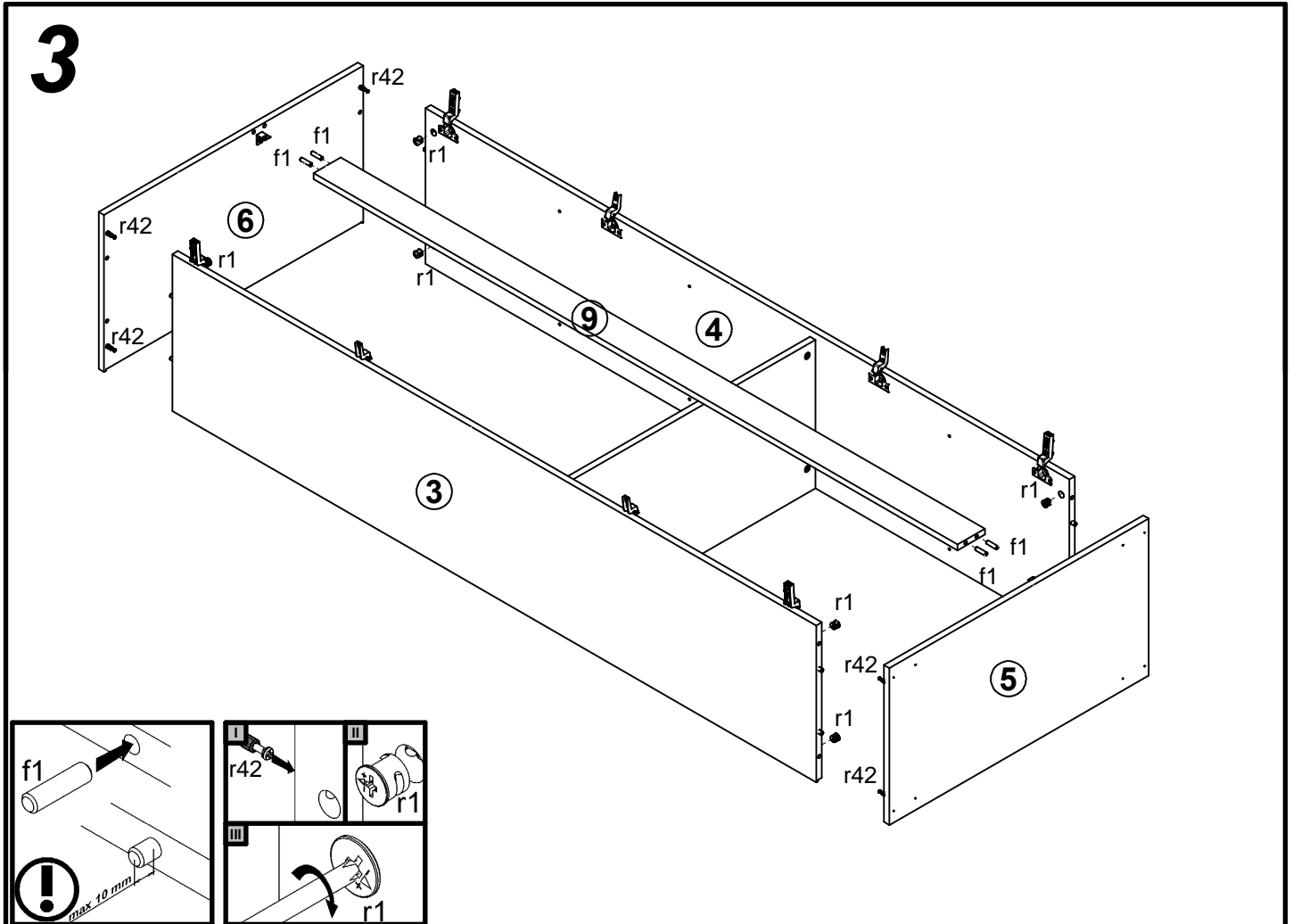
1  §2

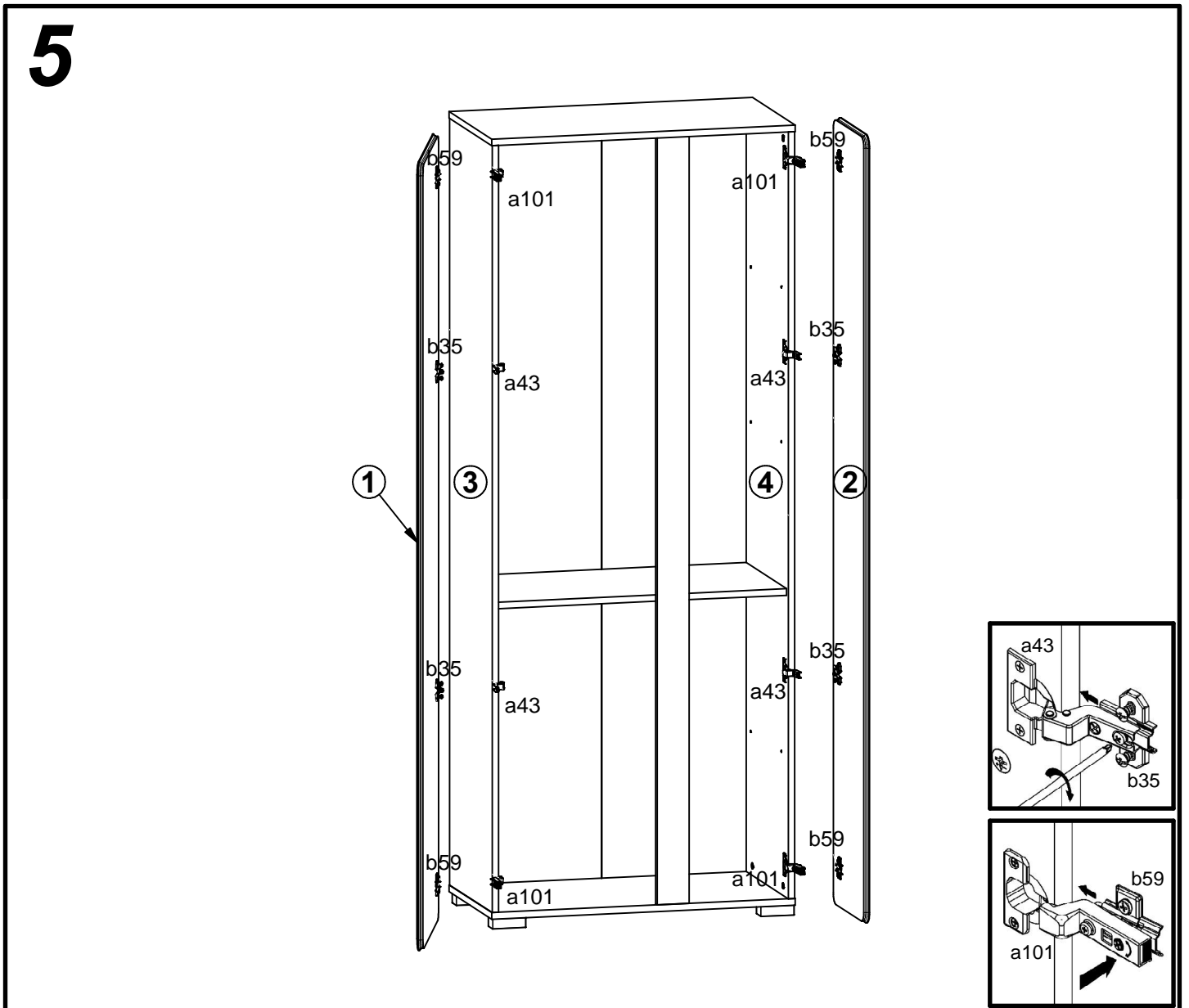
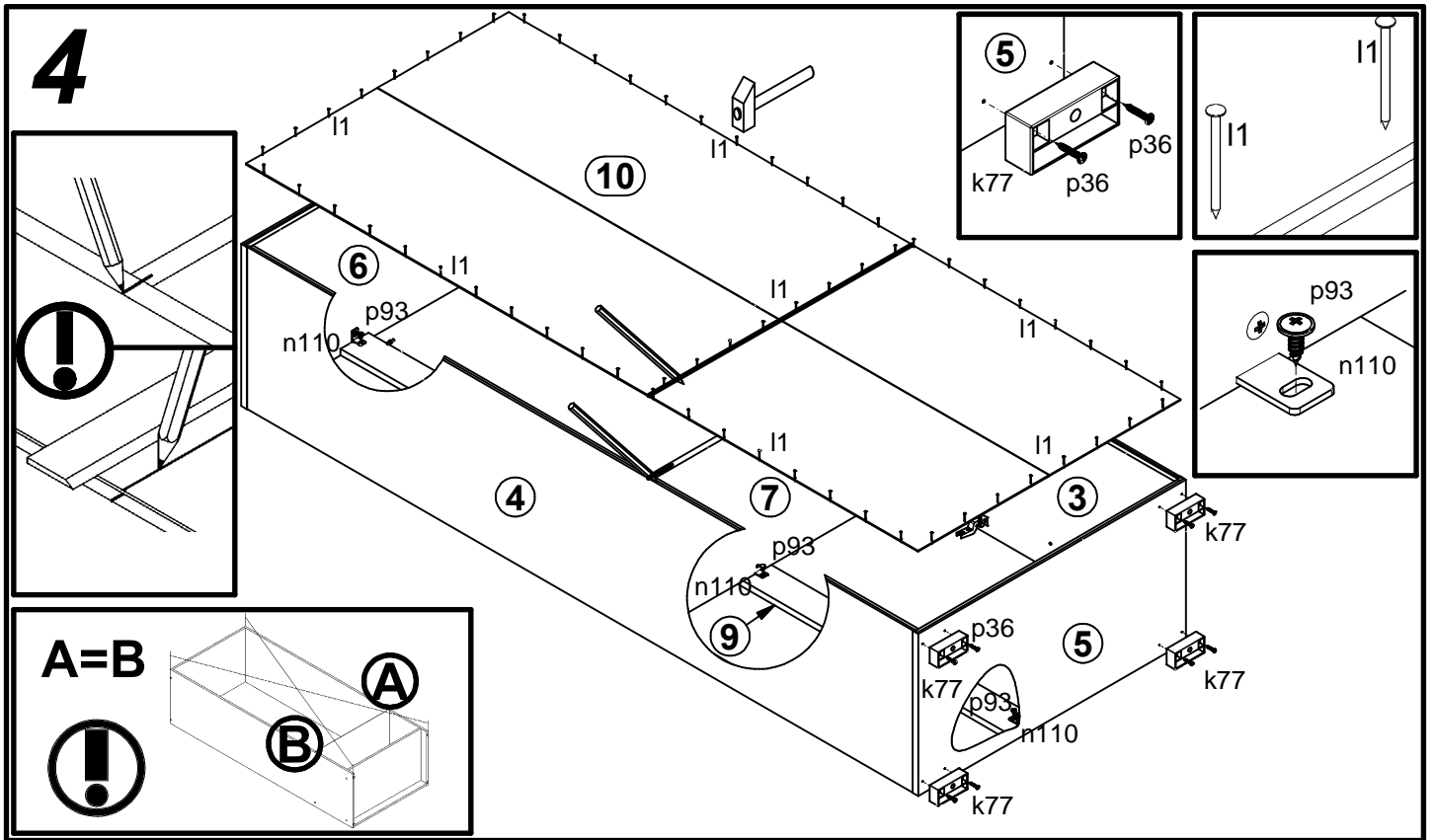


2



3





6

