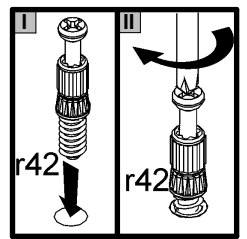
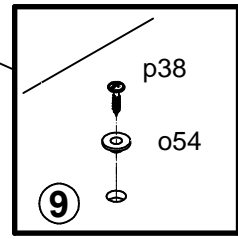
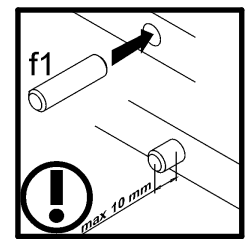
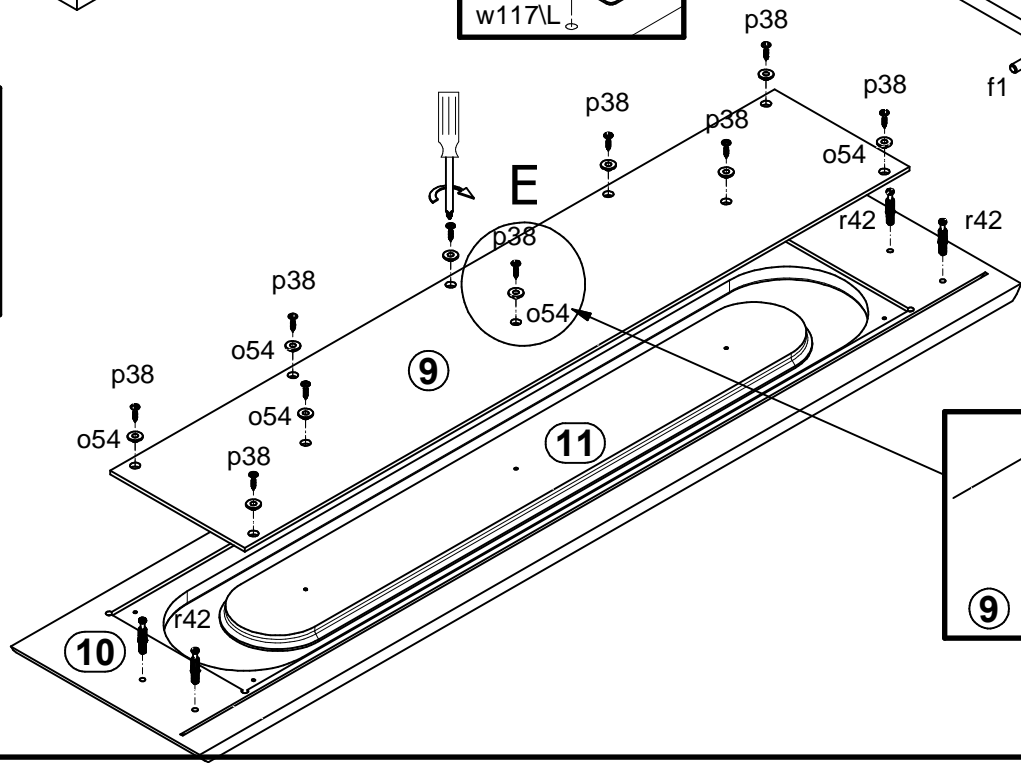
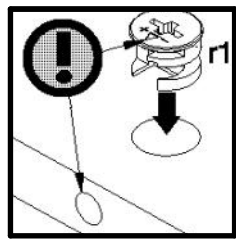
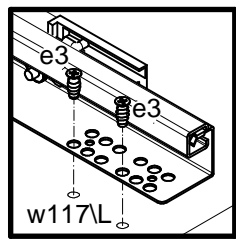
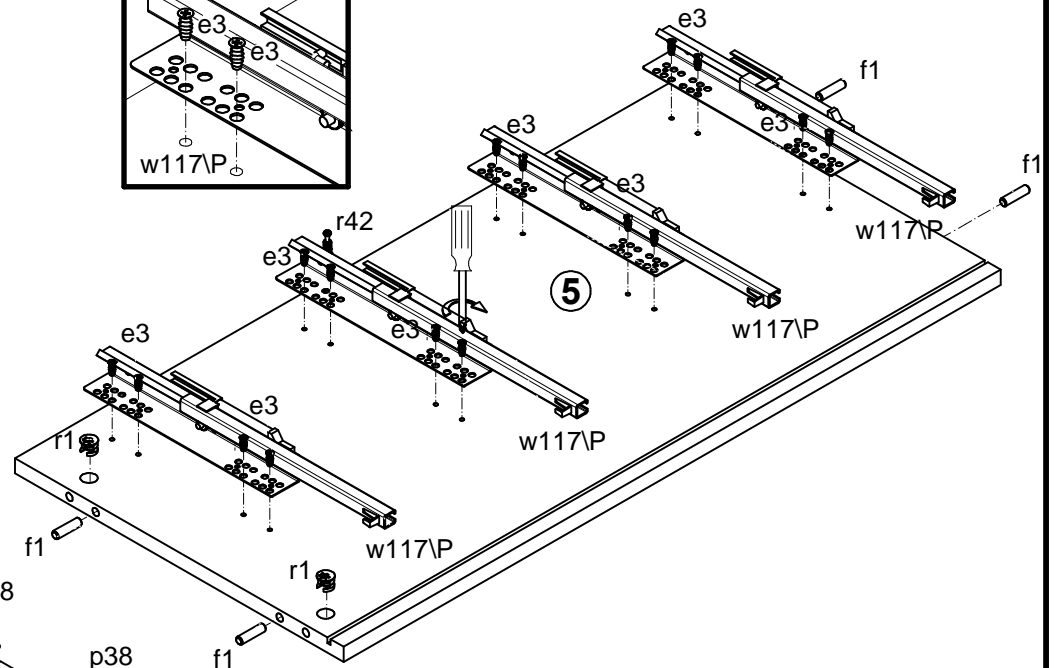
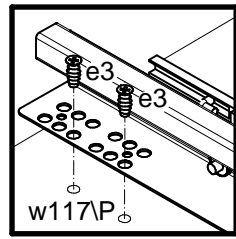
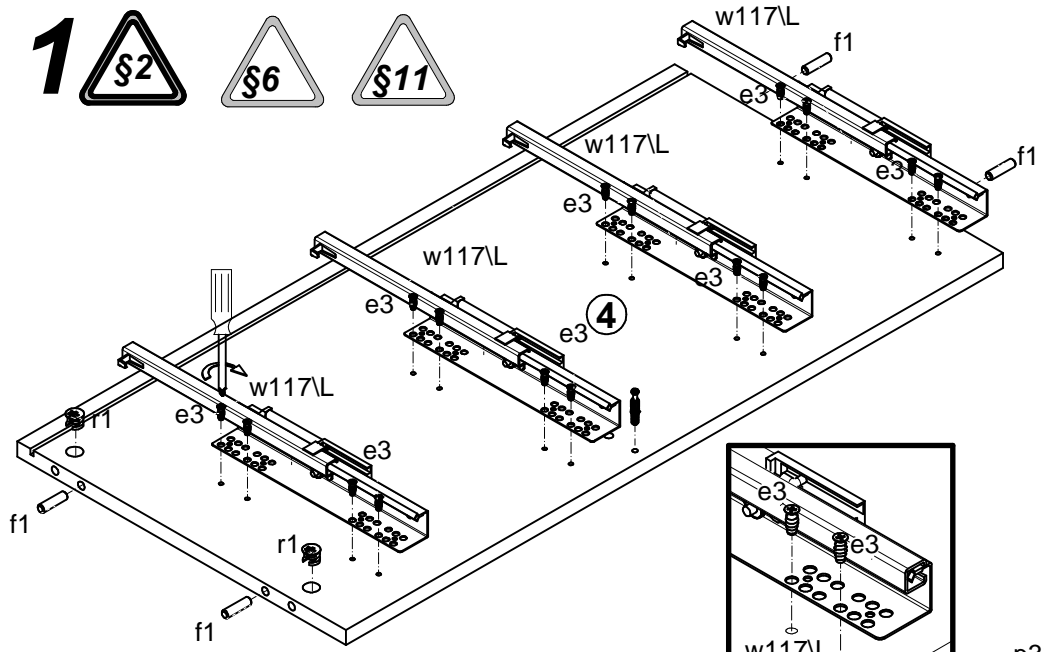
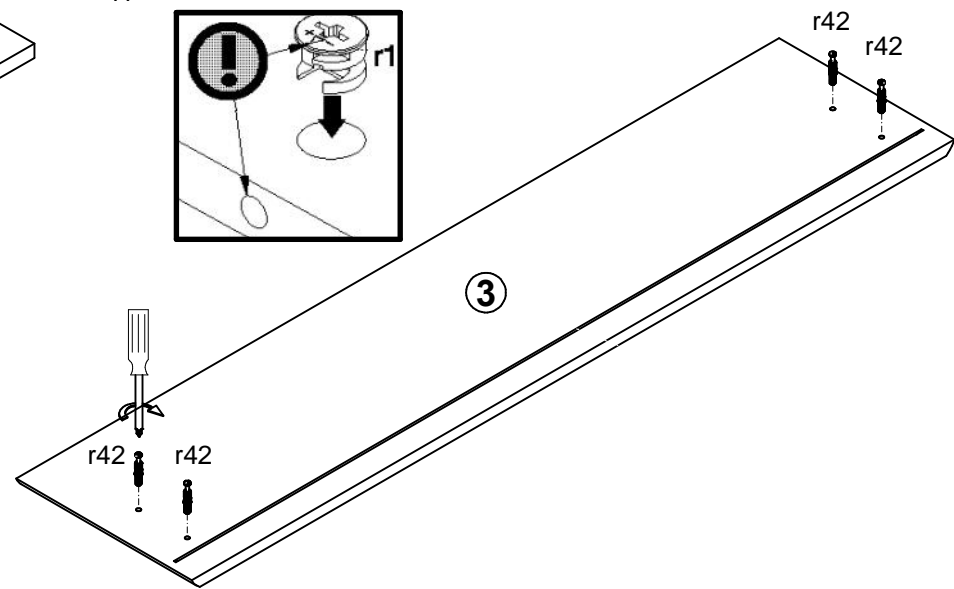
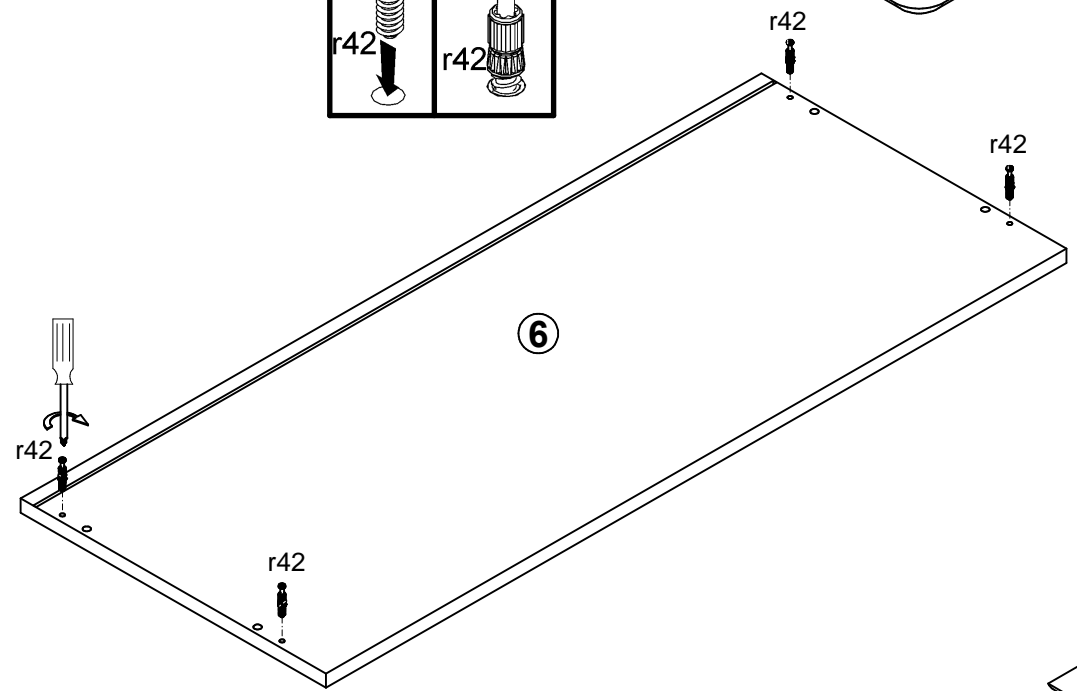
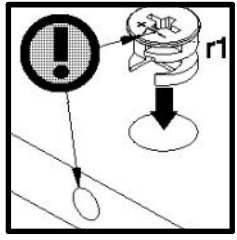
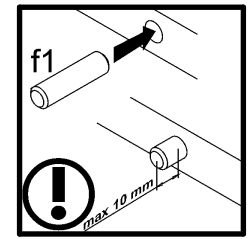
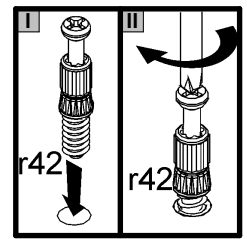
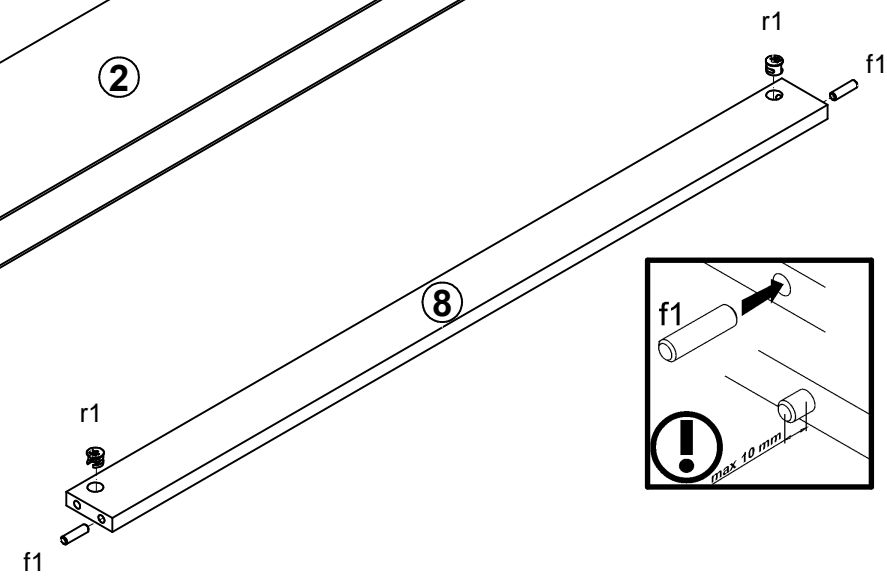
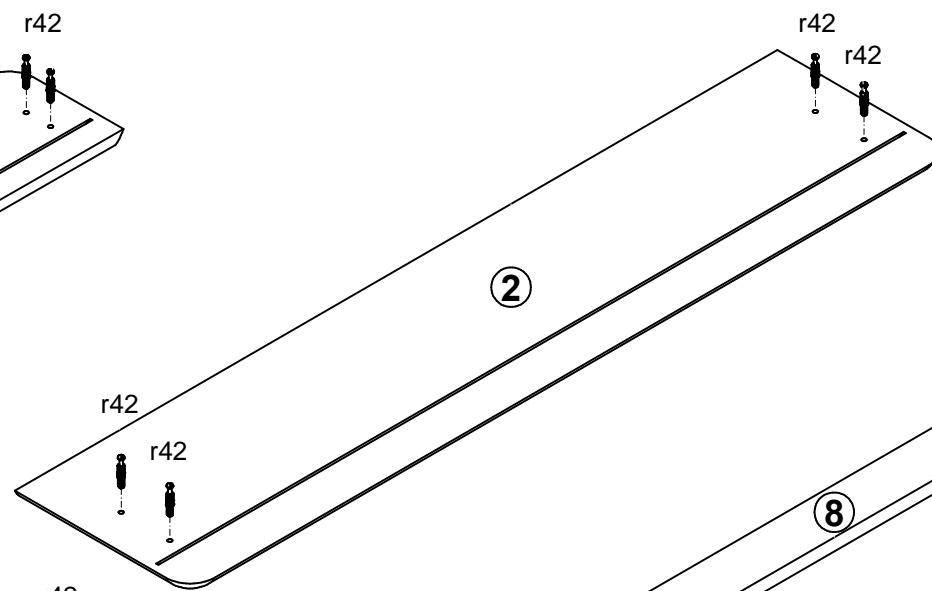
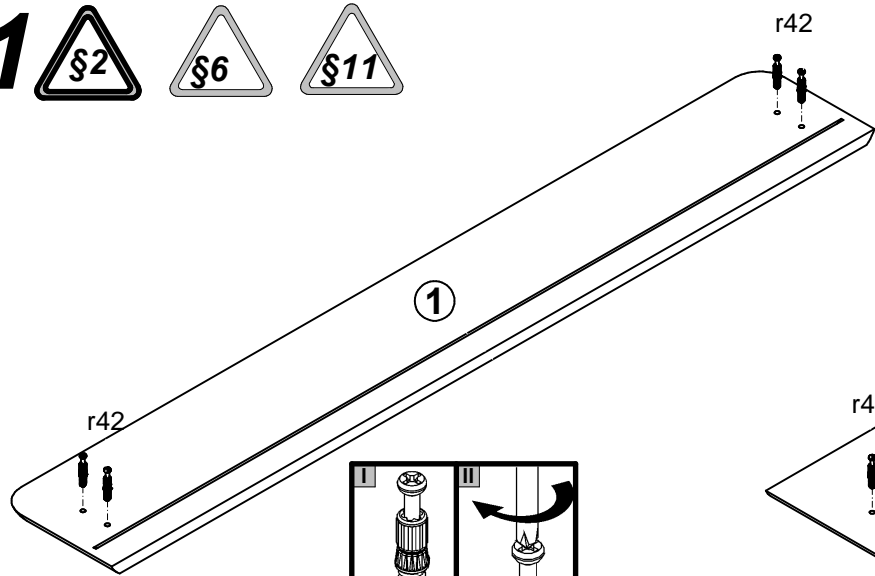


A	B	C (mm)		D
1	S220-0002	150	1000	2/2
2	S220-0003	230	1000	2/2
3	S220-0004	230	1000	2/2
4	S220-1004	800	400	1/2
5	S220-1005	800	400	1/2
6	S220-2003	971	400	1/2
7	S220-2004	971	400	1/2
8	S220-4001	938	60	1/2
9	S220-5503	809	164	1/2
10	S220-7005	230	1000	2/2
11	S220-7006	100	680	2/2
12	S220-9304	948	811	1/2
13	WSP-9001	908	358	1/2
14	WSQ1-505	350	80	1/2
15	WSQ1-506	350	80	1/2
16	WSQ4-505	350	140	1/2
17	WSQ4-506	350	140	1/2
18	WTQ-5077	898	127	1/2
19	WTQ-5078	898	67	1/2



4x Ø7x50 mm e1	32x Ø6x13 mm e3	10x Ø8x30 mm f1	16x Ø6,5x40 mm f25	8x Ø2,9x16 mm p55	4x 84x40/25 mm k77	16x l2	10x Ø5,3/Ø6,3x4,8 mm o54	8x Ø3,5x16 mm p25	8x Ø3,5x10 mm p35	35x Ø3,5x16 mm p38	8x Ø4x25 mm p36	6x Ø15x12 mm #16 r1
16x Ø12x10,5 mm #12 r15	22x r42	8x 350 mm t35	4x 350 mm W117\L	4x 350 mm W117\P	1x z1	1x n26\1						

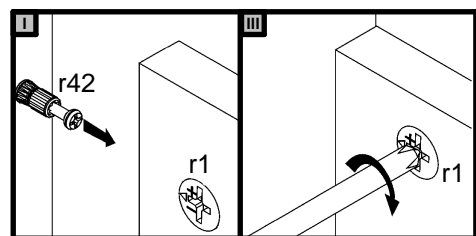
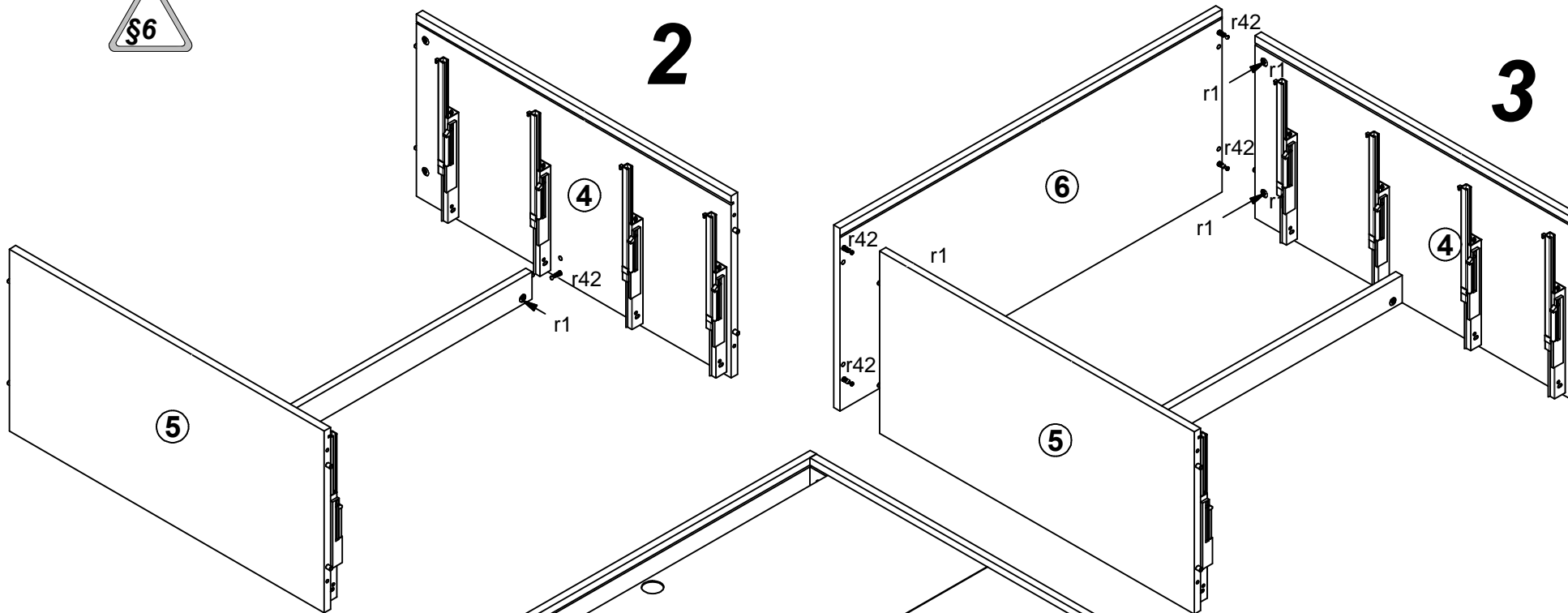




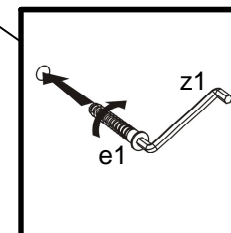
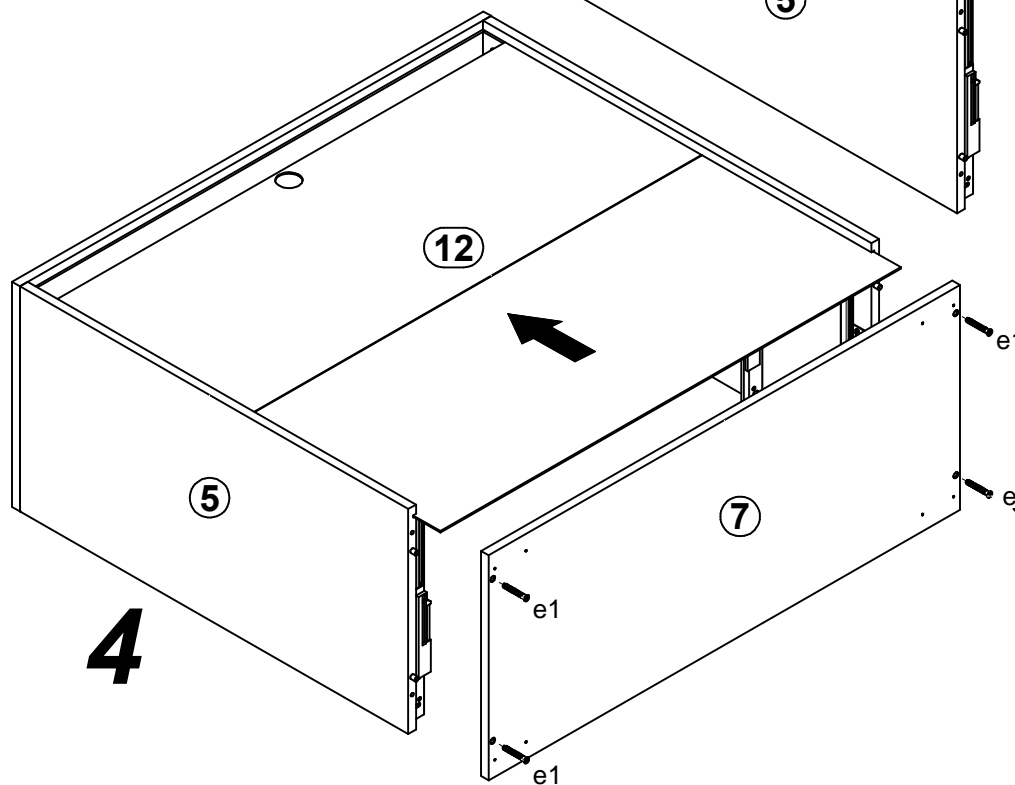


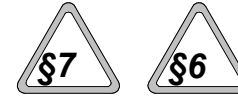
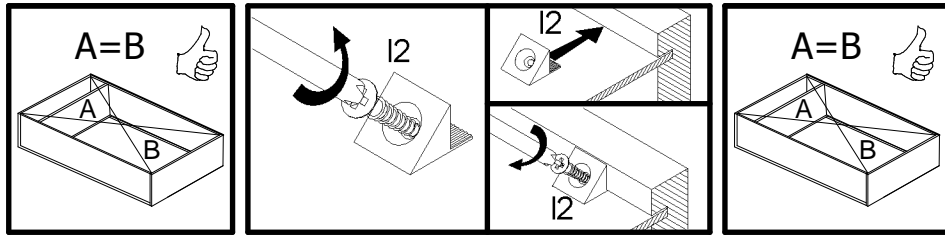
2

3

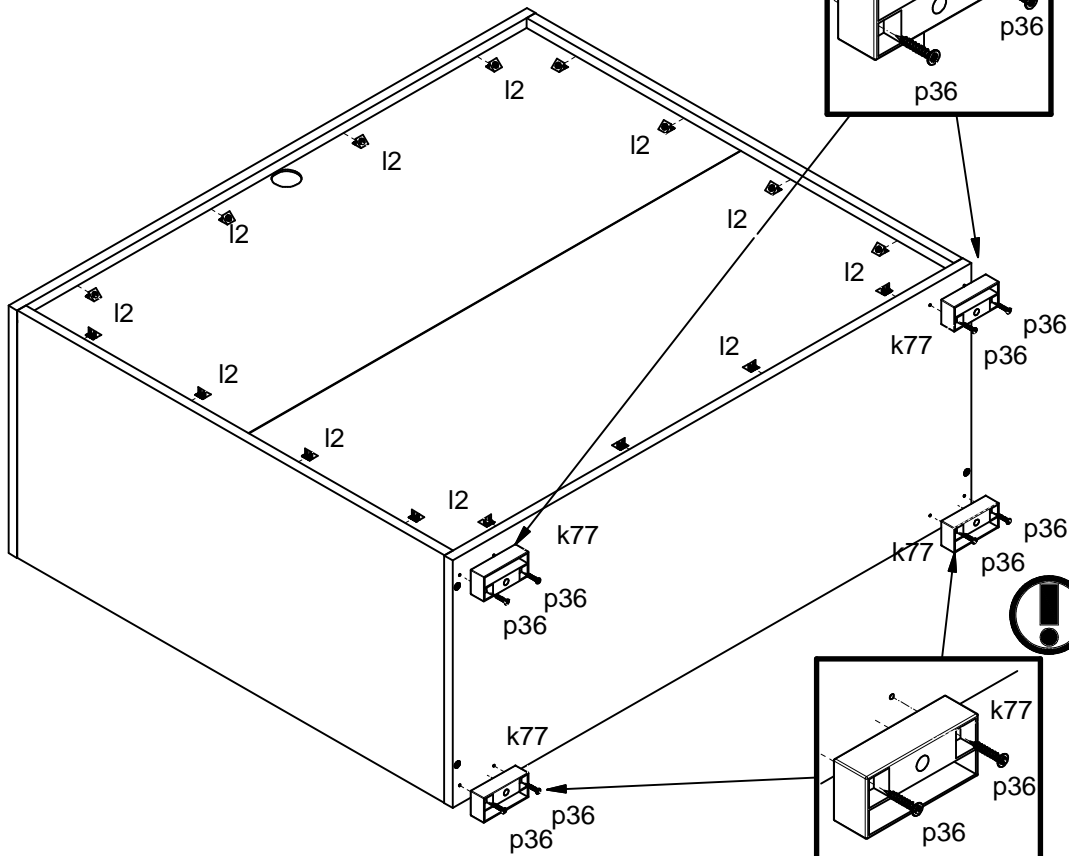


4

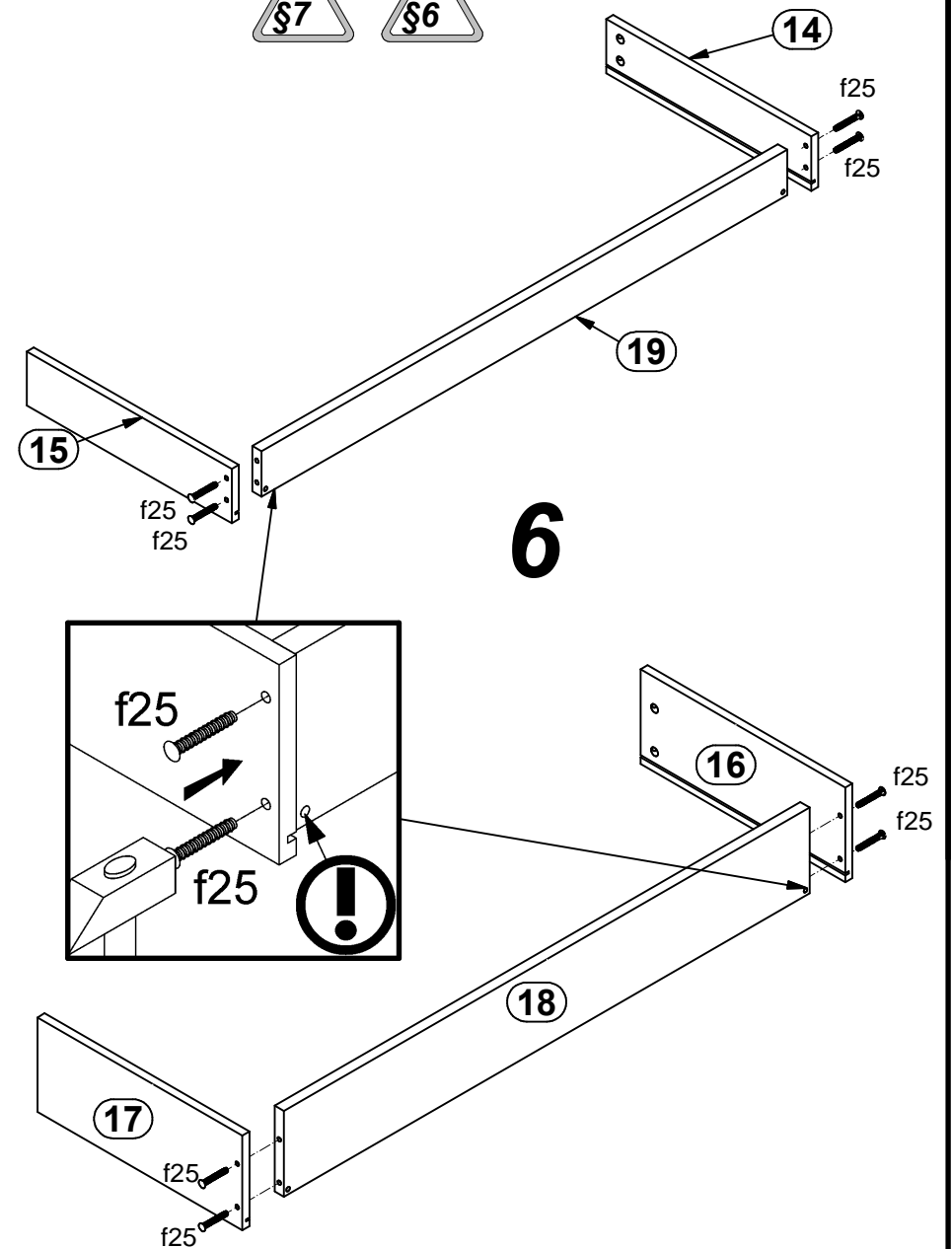




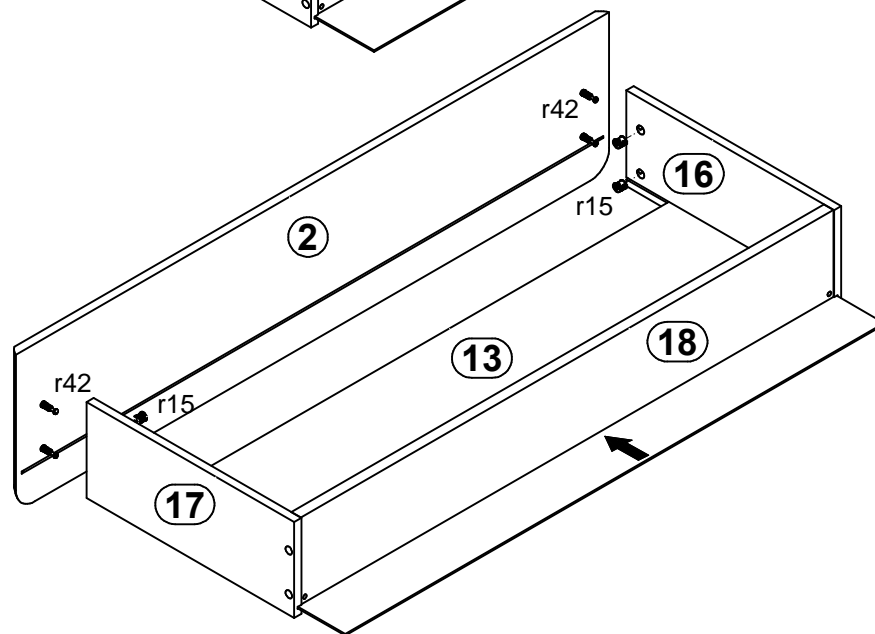
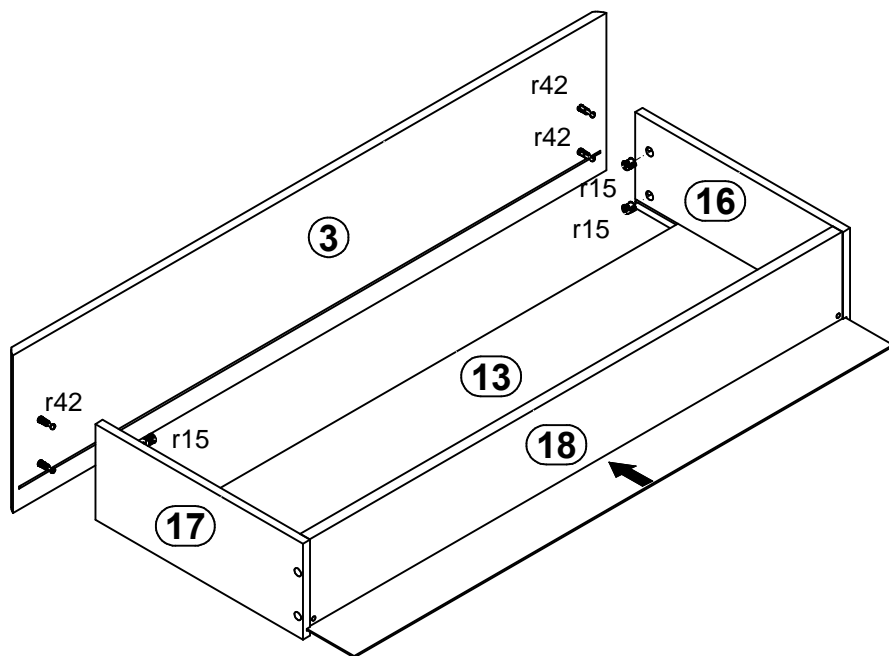
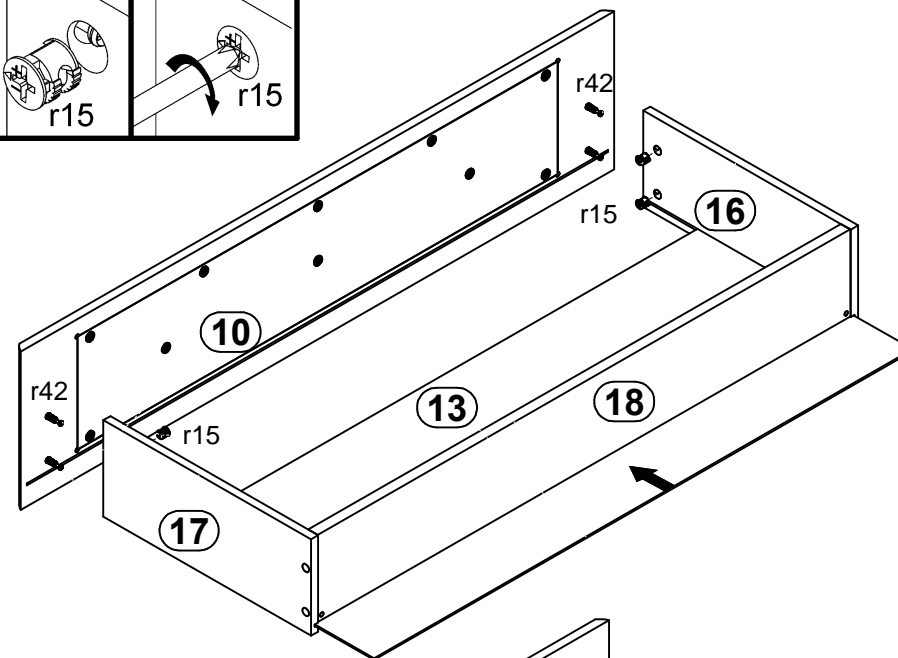
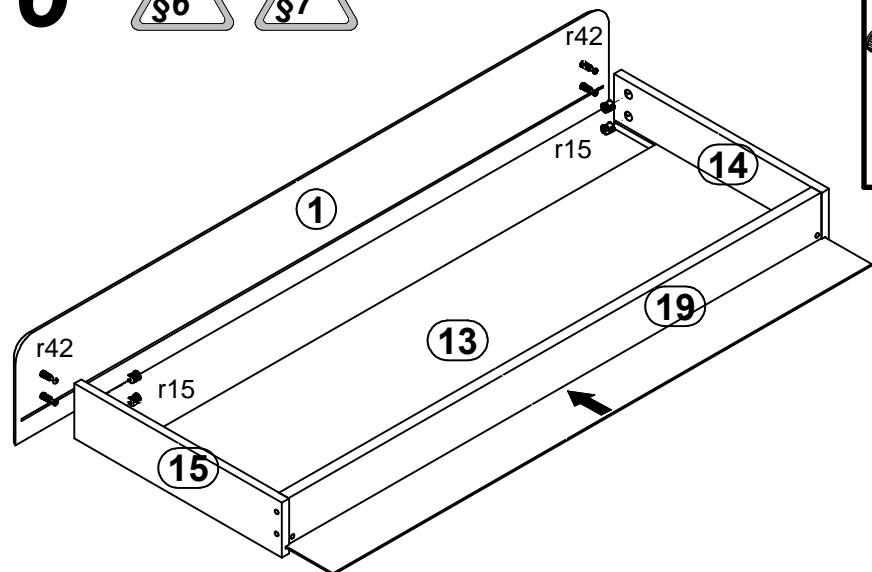
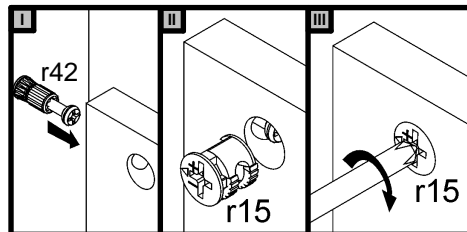
5

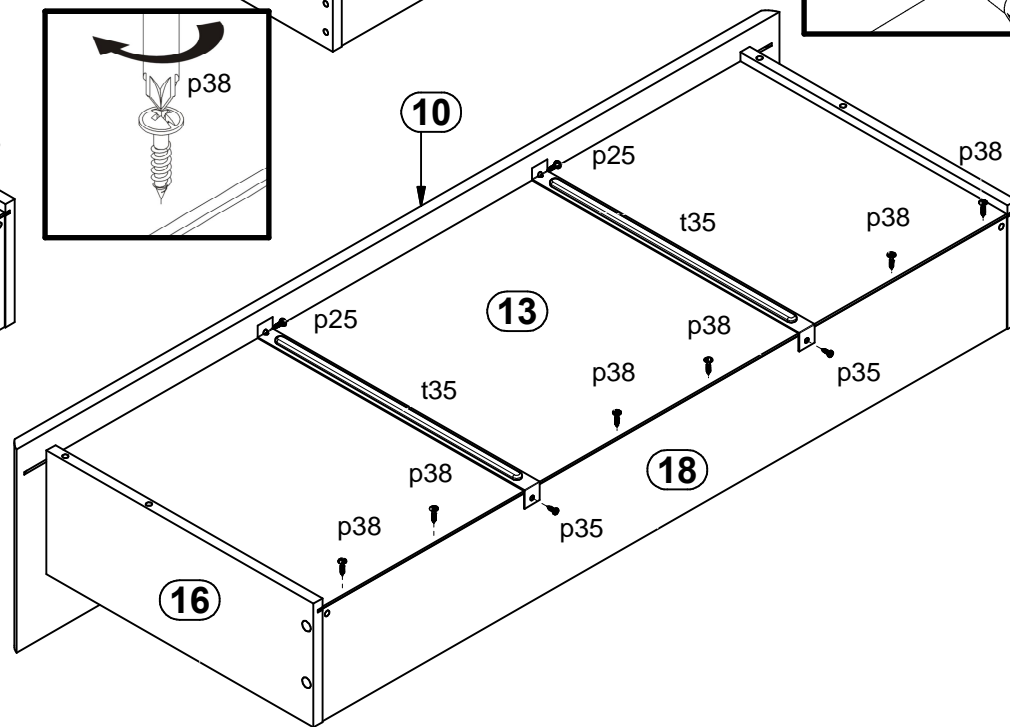
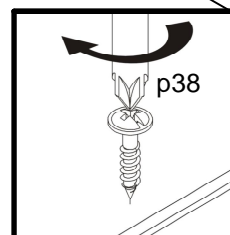
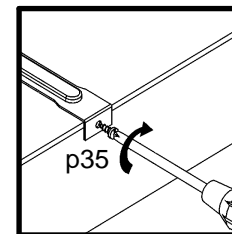
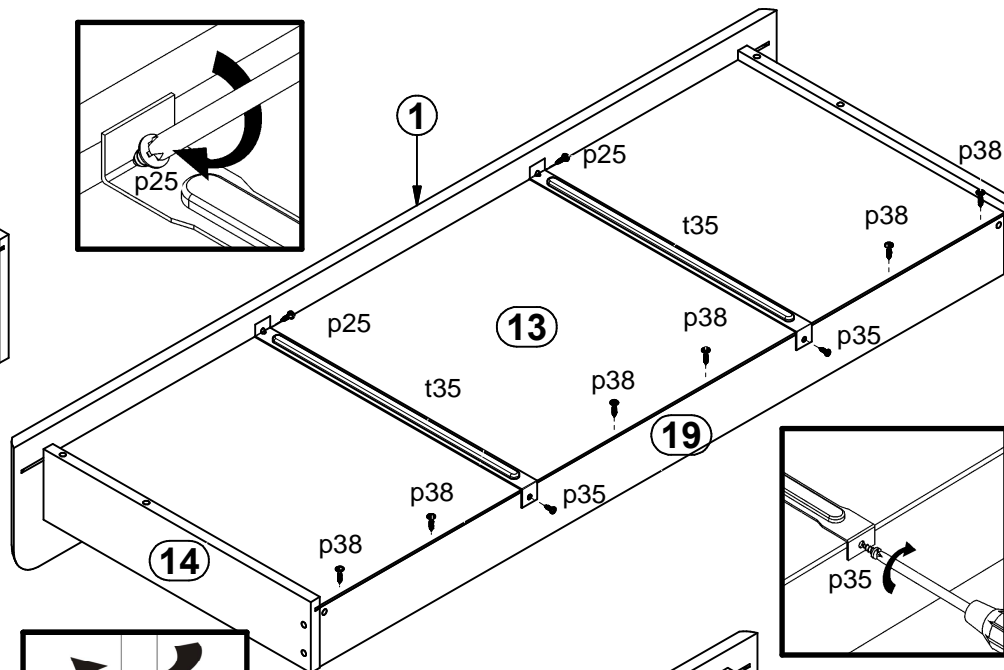
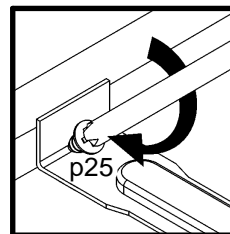
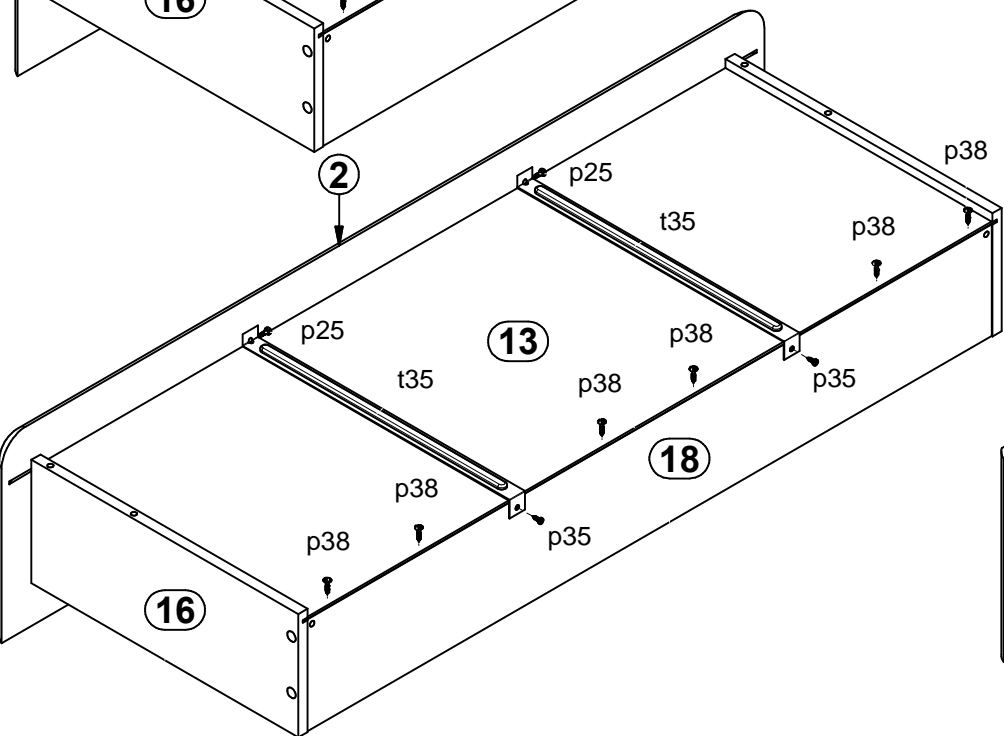
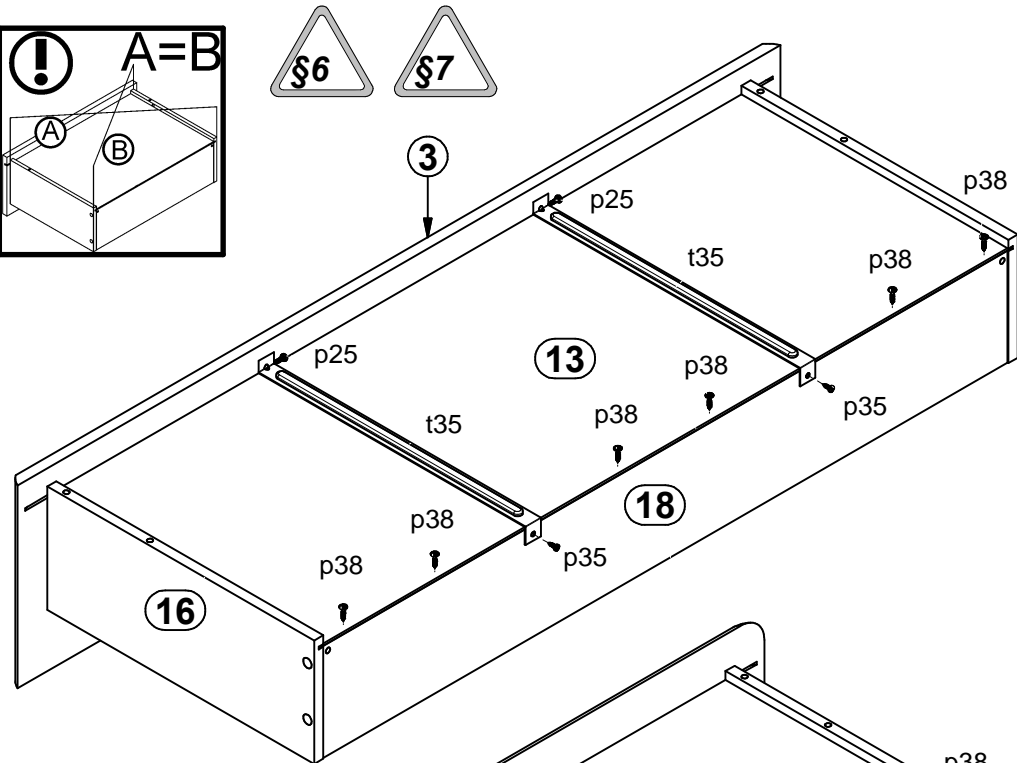
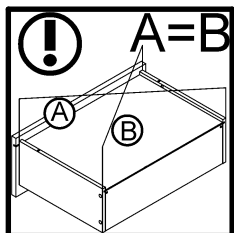


6



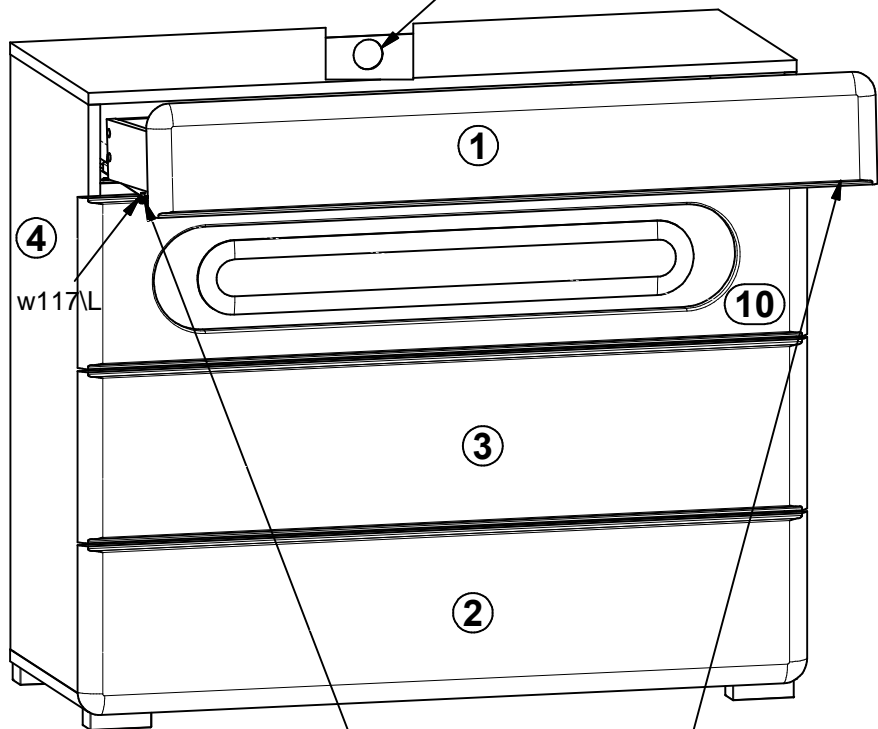
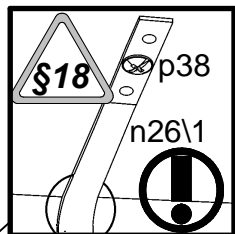
6







7



8

