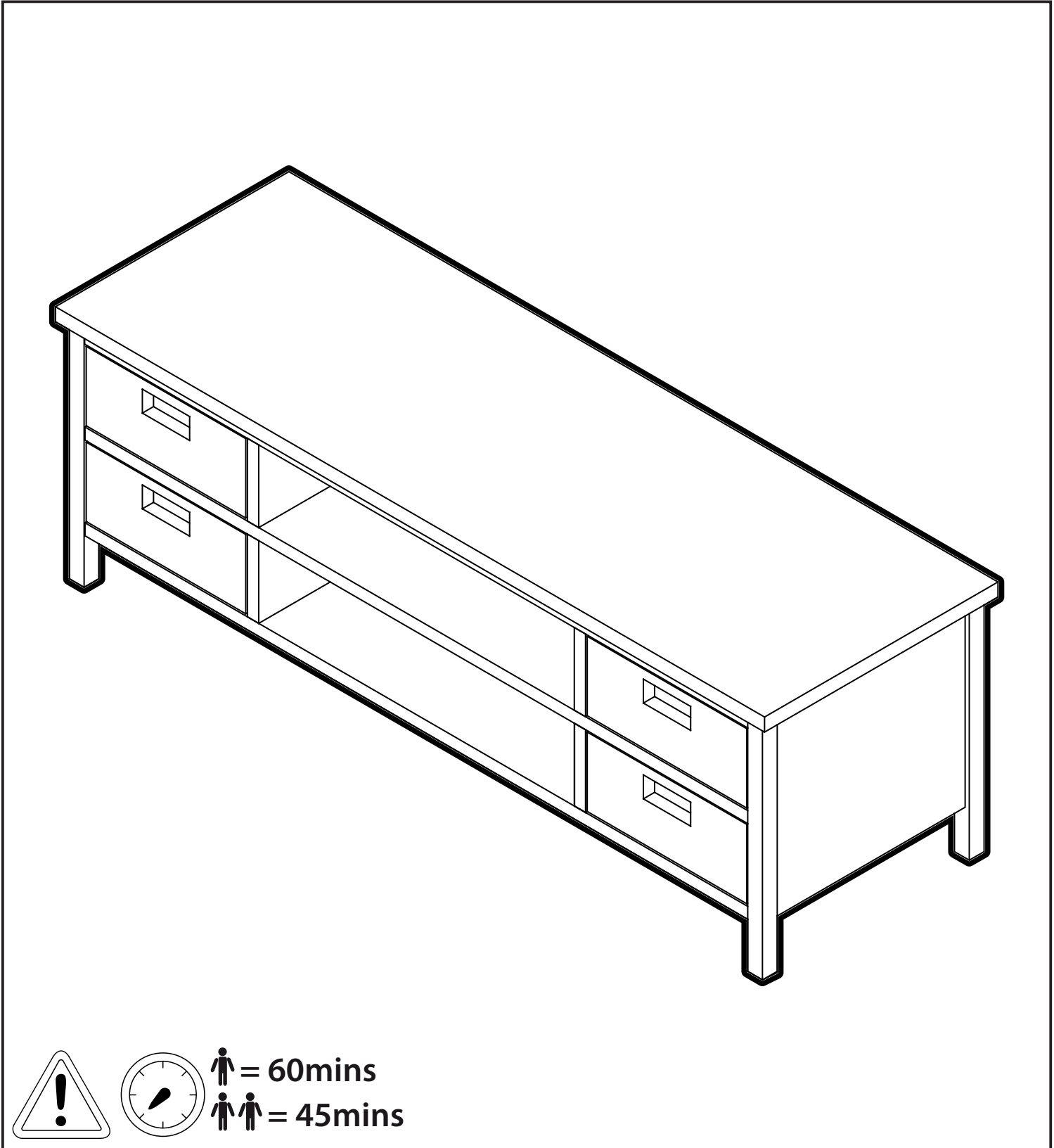


Product Name: WICKER
Product Ref: WK120
Art number: 407470/407471



 = 60mins

 = 45mins

TECHLINK, A Division Of Tapehand Ltd.
Units 7 and 8 Bat and Ball Enterprise Centre
Bat and Ball Road
Sevenoaks
Kent
United Kingdom
TN14 5LJ



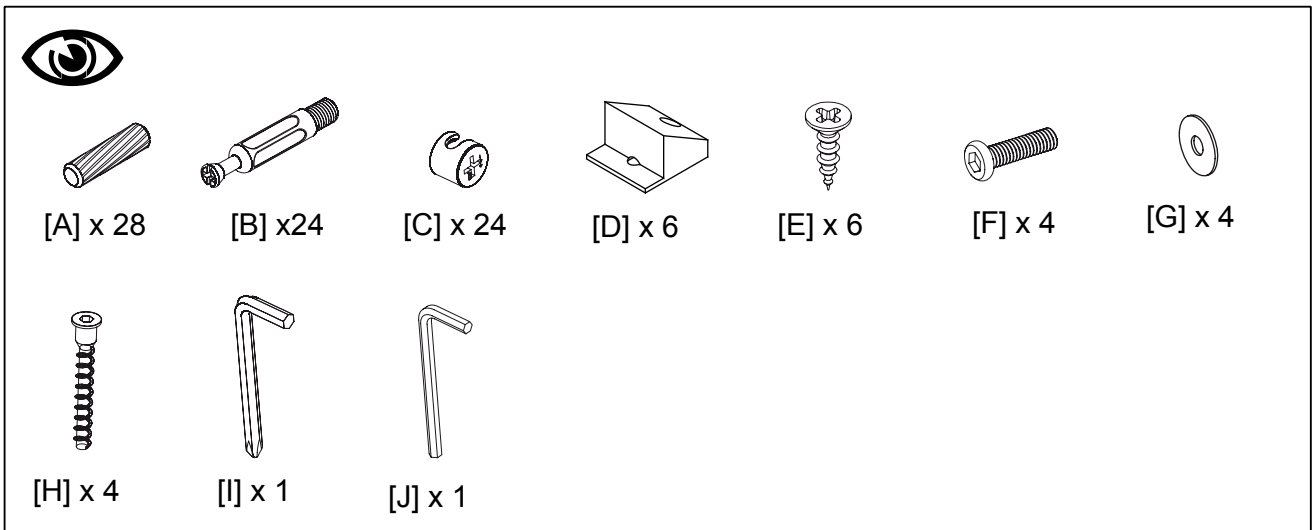
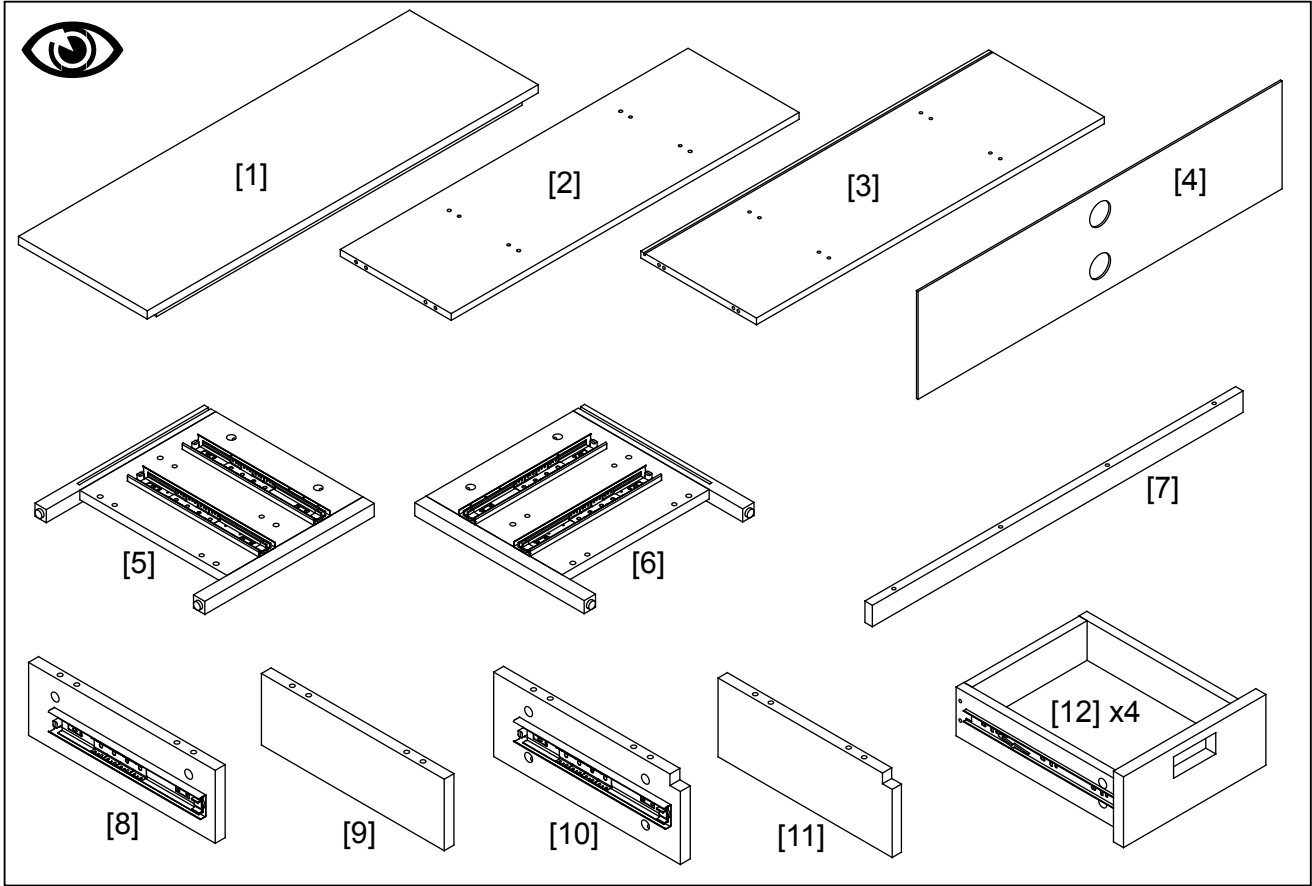
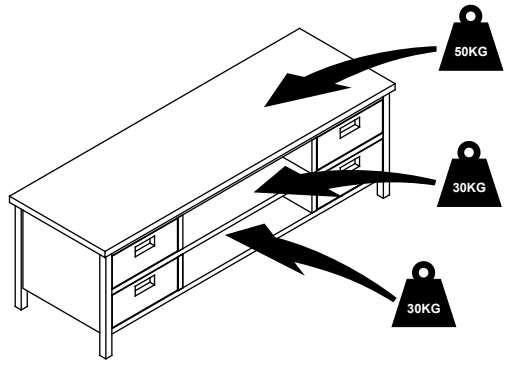
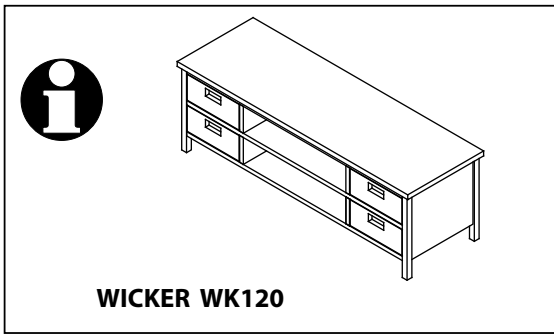
(UK)Free Phone 0800 634 2699
(US)Toll Free (844) 499-1159



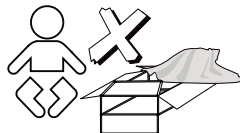
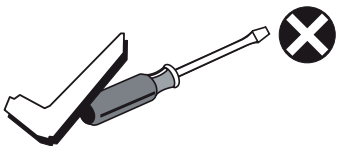
spares@techlink.uk.com

Web

www.techlink.uk.com
www.recharge.uk.com

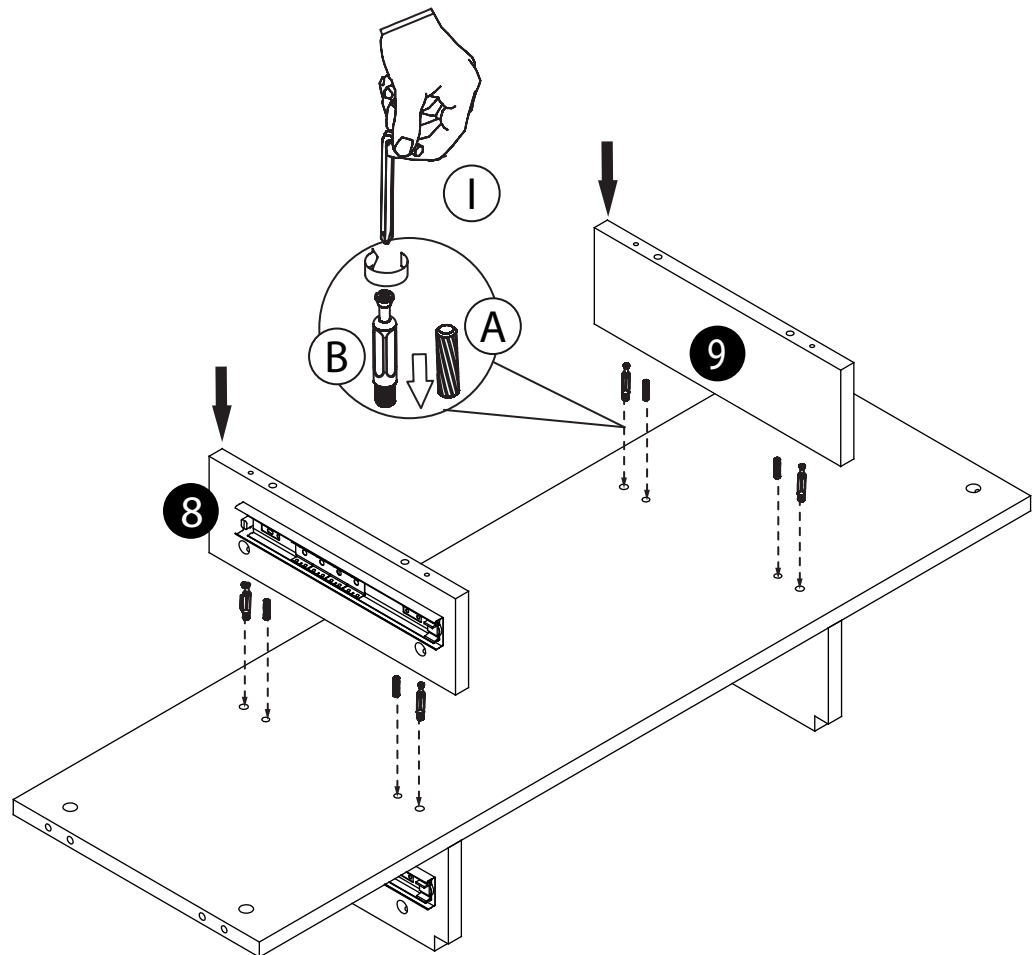
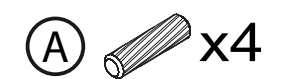
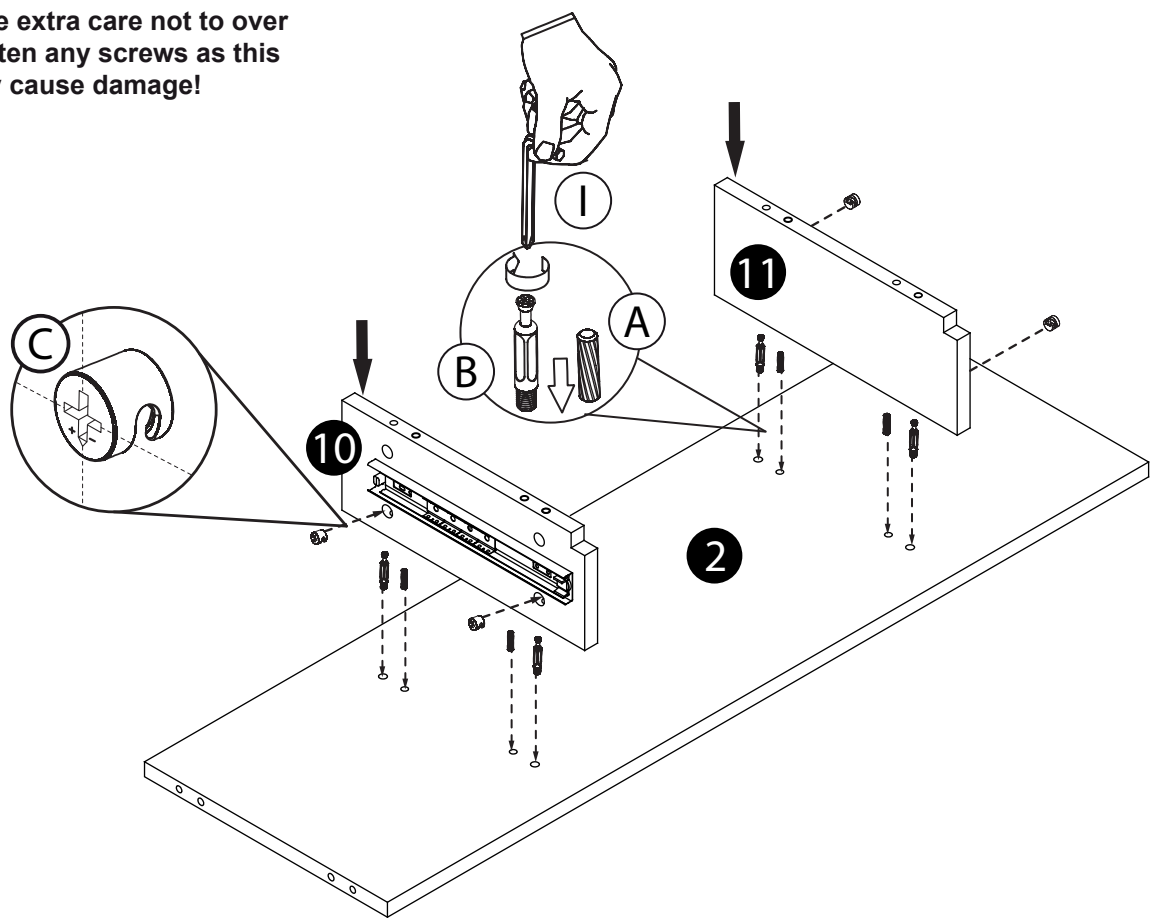
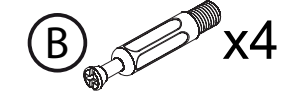
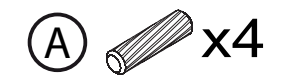


**Protect the top surface of the unit when constructing to prevent scratching!
 Take extra care not to over tighten any screws as this may cause damage!**





Take extra care not to over tighten any screws as this may cause damage!



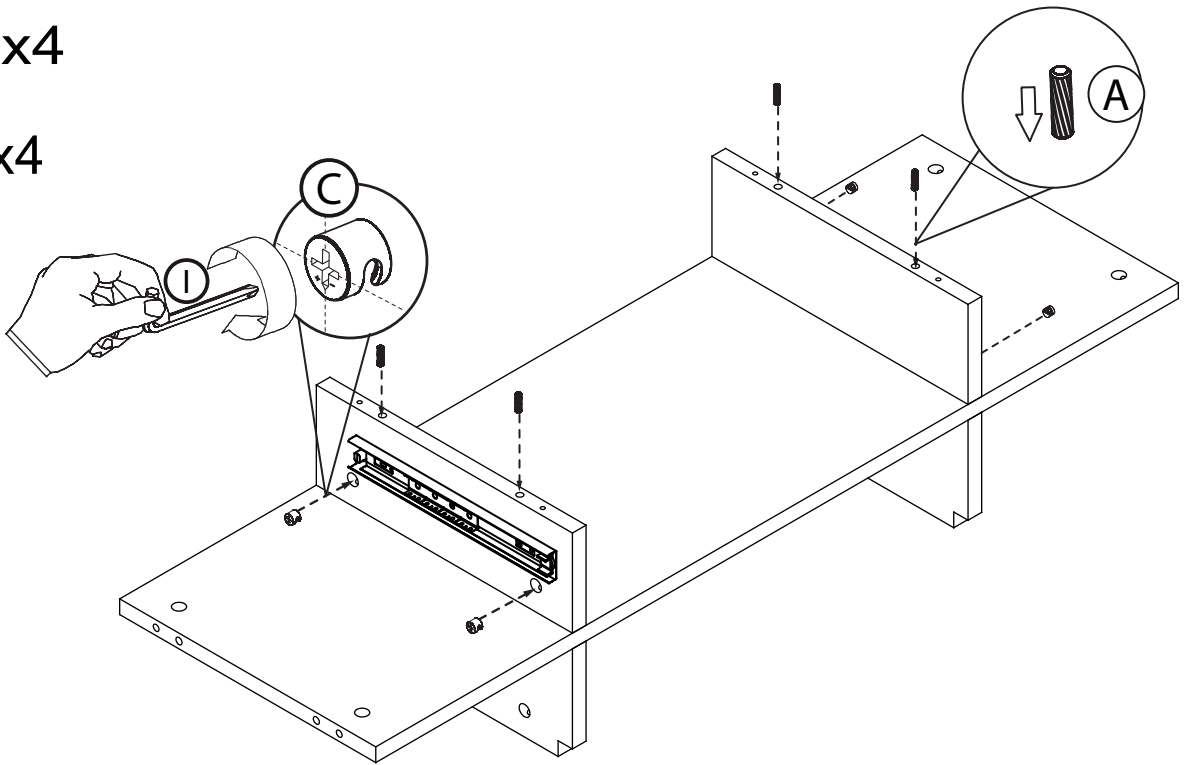
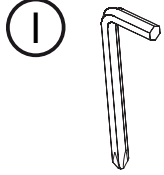
3



Take extra care not to over tighten any screws as this may cause damage!

A x4

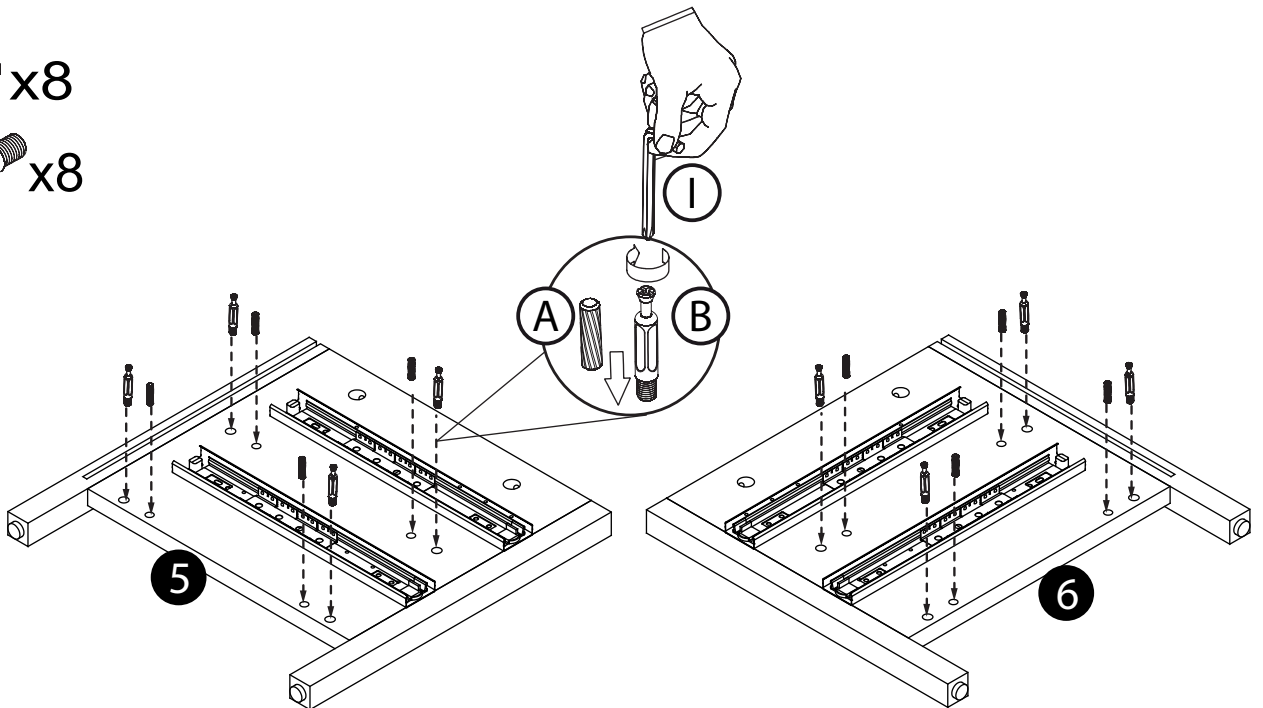
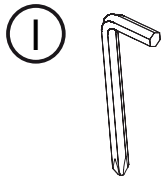
C x4



4

A x8

B x8



5



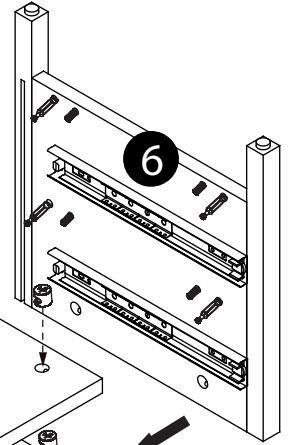
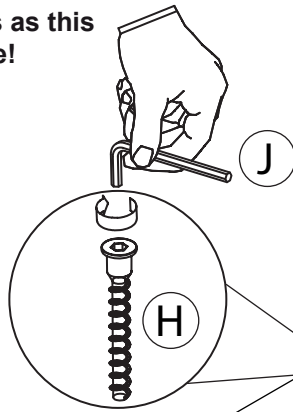
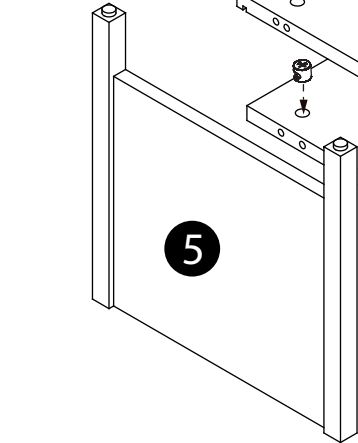
Take extra care not to over tighten any screws as this may cause damage!

C x8

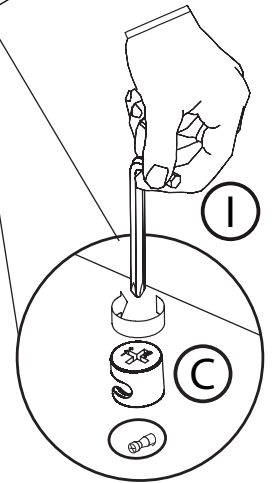
H x4

I

J



6



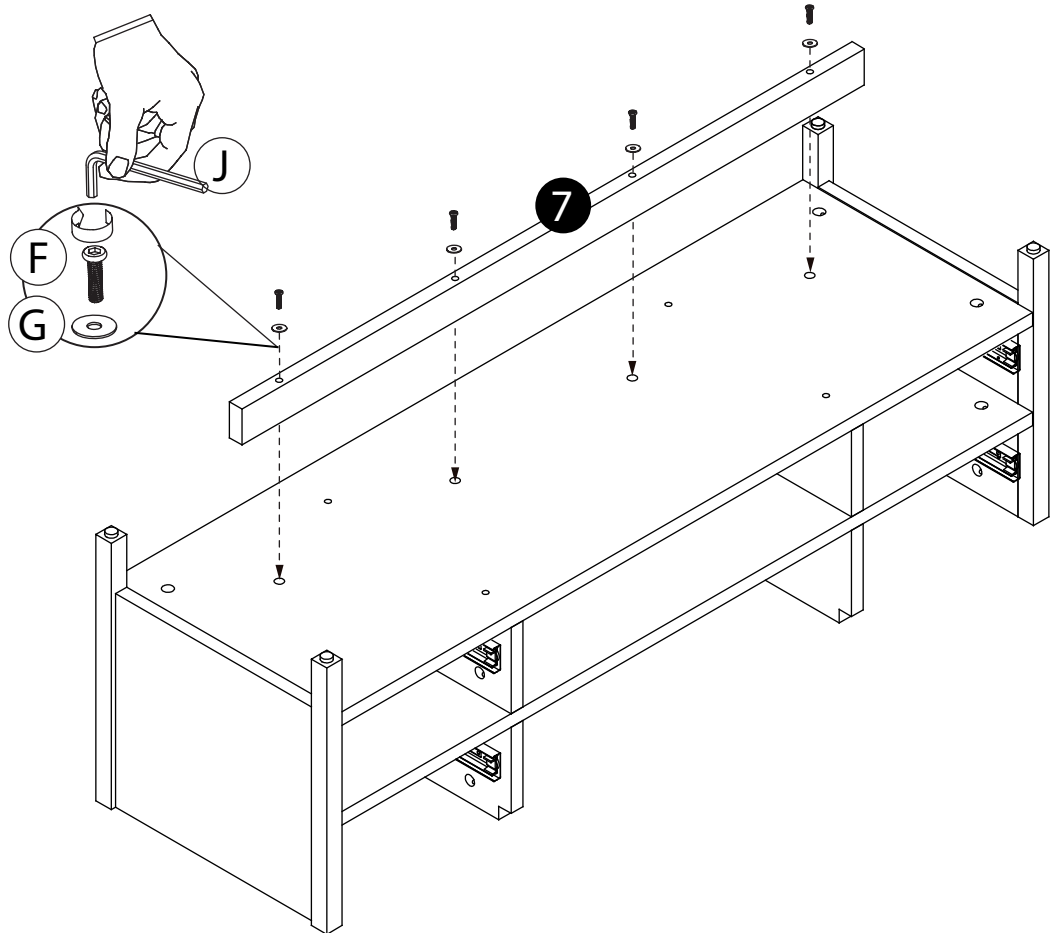
6



F x4

G x4

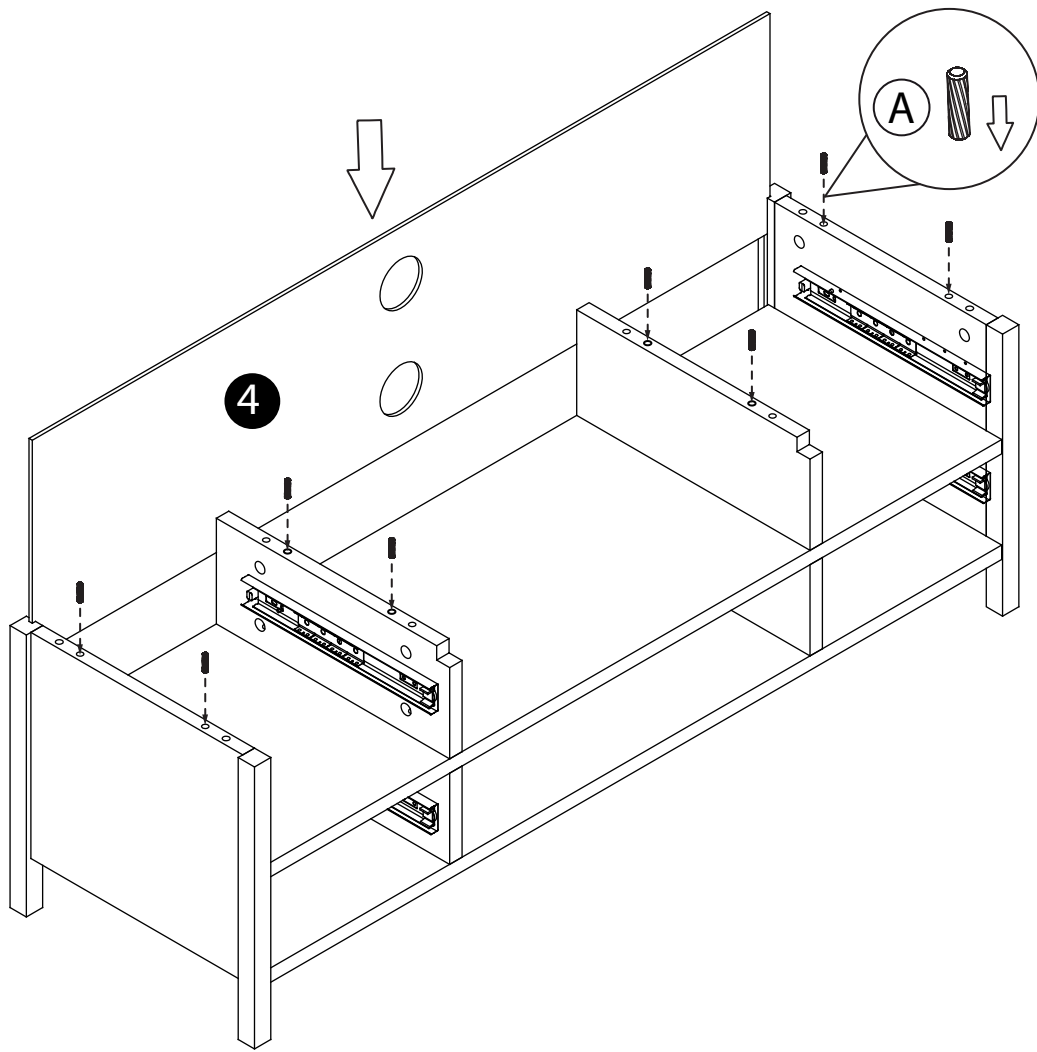
J



7

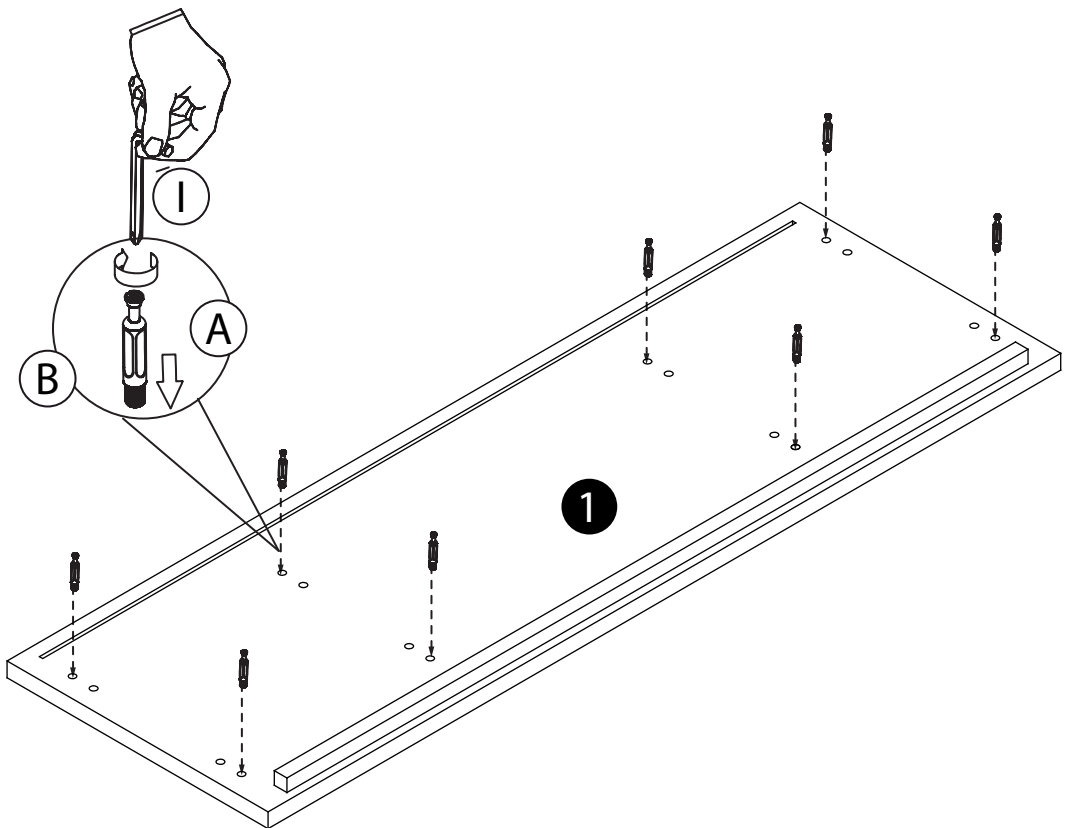
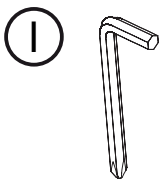
7

A x8



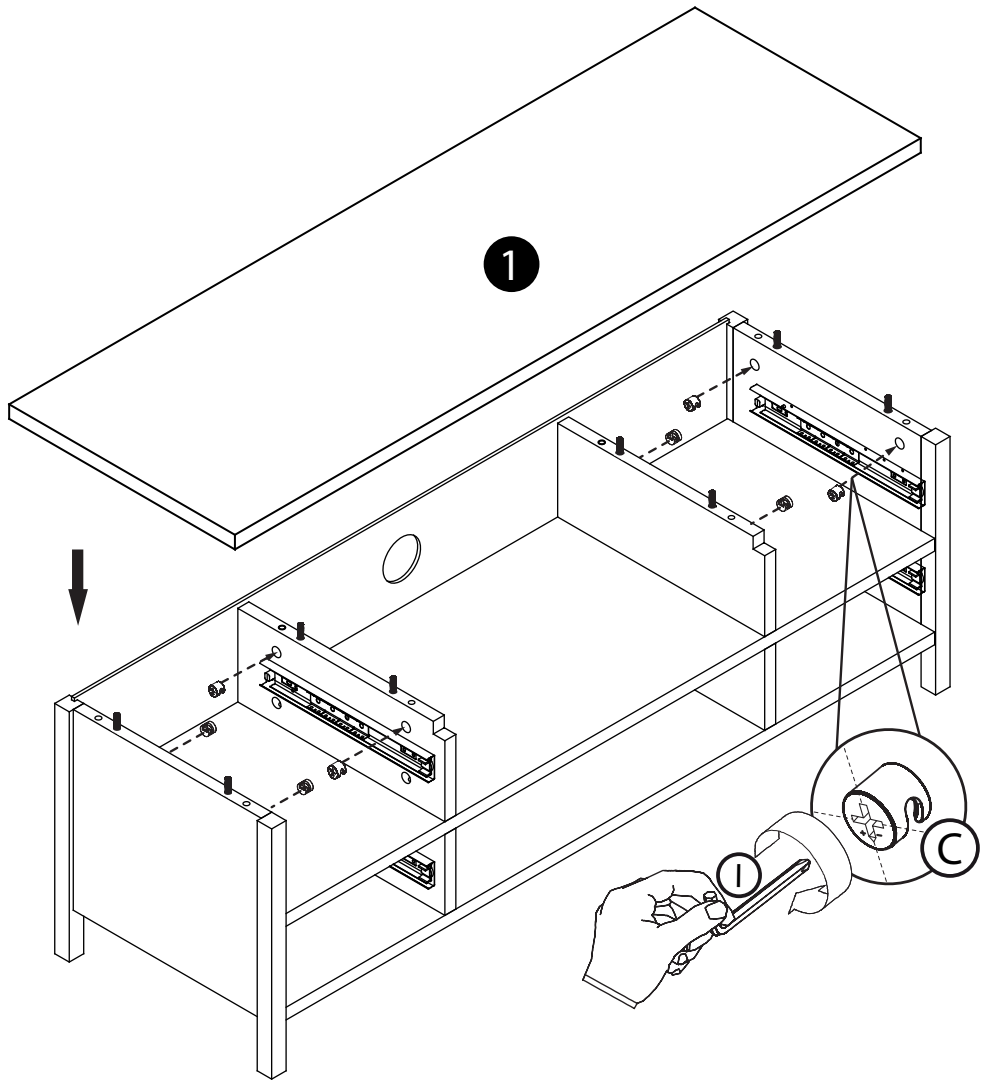
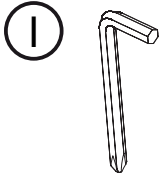
8

B x8



9

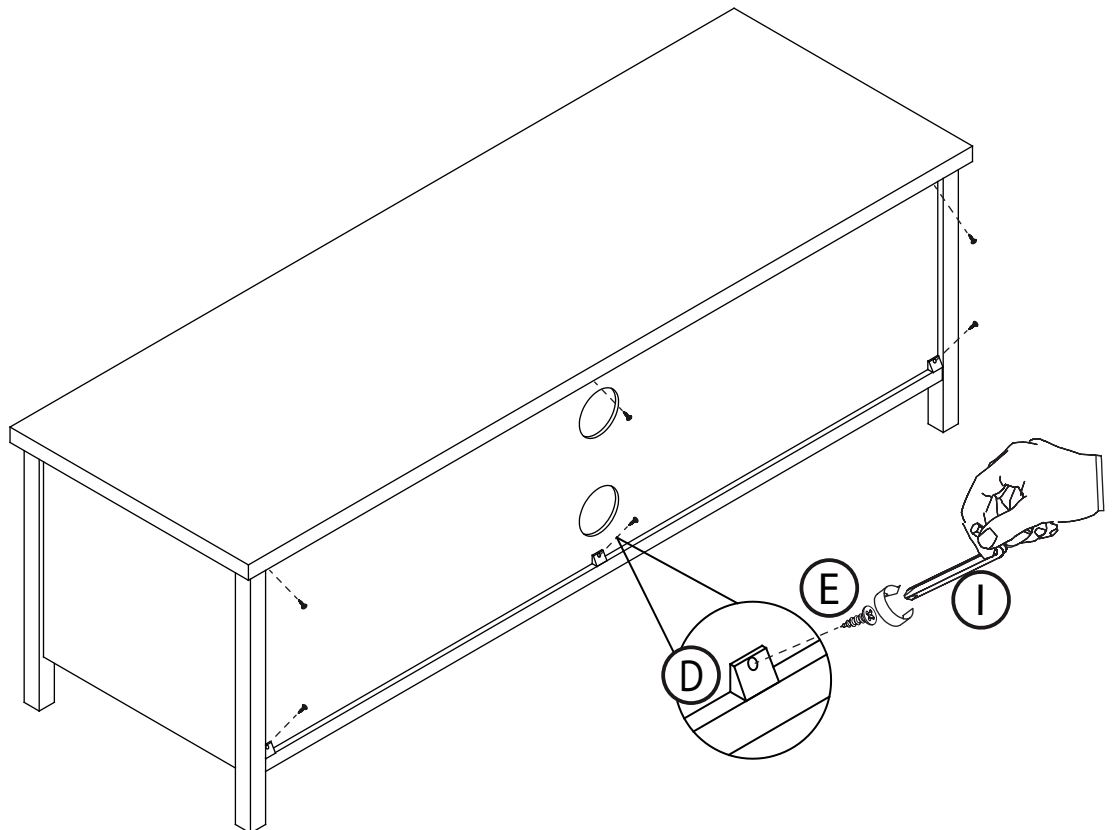
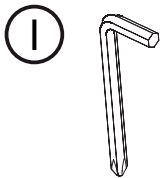
C x8



10

E x6

D x6



11

