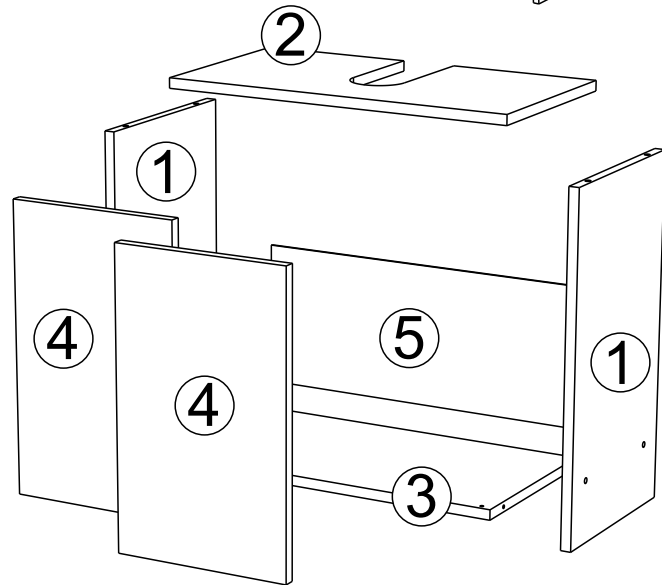
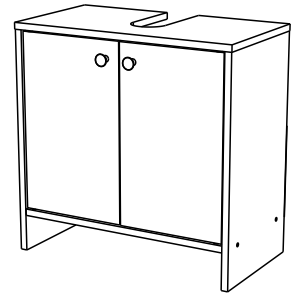


| REP | DIM | QTE |
|-----|---------|-----|
| 1 | 503x278 | 2 |
| 2 | 523x279 | 1 |
| 3 | 491x277 | 1 |
| 4 | 400x241 | 2 |
| 5 | 520x210 | 1 |



0H 45 Mn



(FR) SECURITE
IMPORTANT-A LIRE SOIGNEUSEMENT-A CONSERVER
POUR CONSULTATION ULTERIEURE

(GB) CAUTION
IMPORTANT-TO BE READED CAREFULLY-TO BE
CONSERVED FOR LATER CONSULTATION

(DE) SICHERHEITSVORSCHRIFTEN
WICHTIG-GENAU DURCHZULESEN-AUFZUBEWAHREN
FÜR SPÄTEREN GEBRAUCH

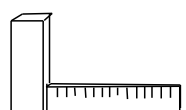
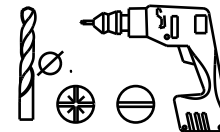
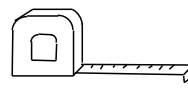
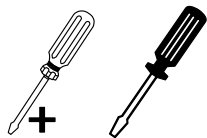
(ES) SEGURIDAD
IMPORTANTE-LEER CON ATENCION-CONSERVAR
PARA CONSULTAS POSTERIORES

(NL) VEILIGHEID
BELANGRIJK-ZORGVULDIGGELEZEN TE WORDEN-BEWAARD
TE WORDEN VOOR LATERE RAADPLEGING

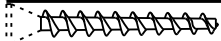
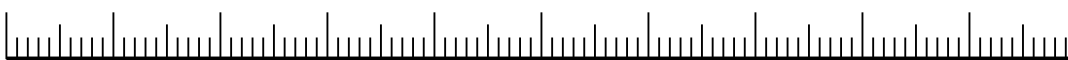
(IT) SICUREZZA
IMPORTANTE-DA LEGGERE ATTENTAMENTE-DA
CONSERVARE PER CONSULTAZIONE ULTERIORE

(PT) SEGURANCA
IMPORTANTE-PARA LER COM ATENCAO-PARA
CONSERVAR PARA COOSULTA ULTERIOR

(PL) UWAGA
WAZNE-UWAZNIE PRZECZYTAC-ZACHOWAC
CELEM POZNIJSZYCH KONSULTACJI

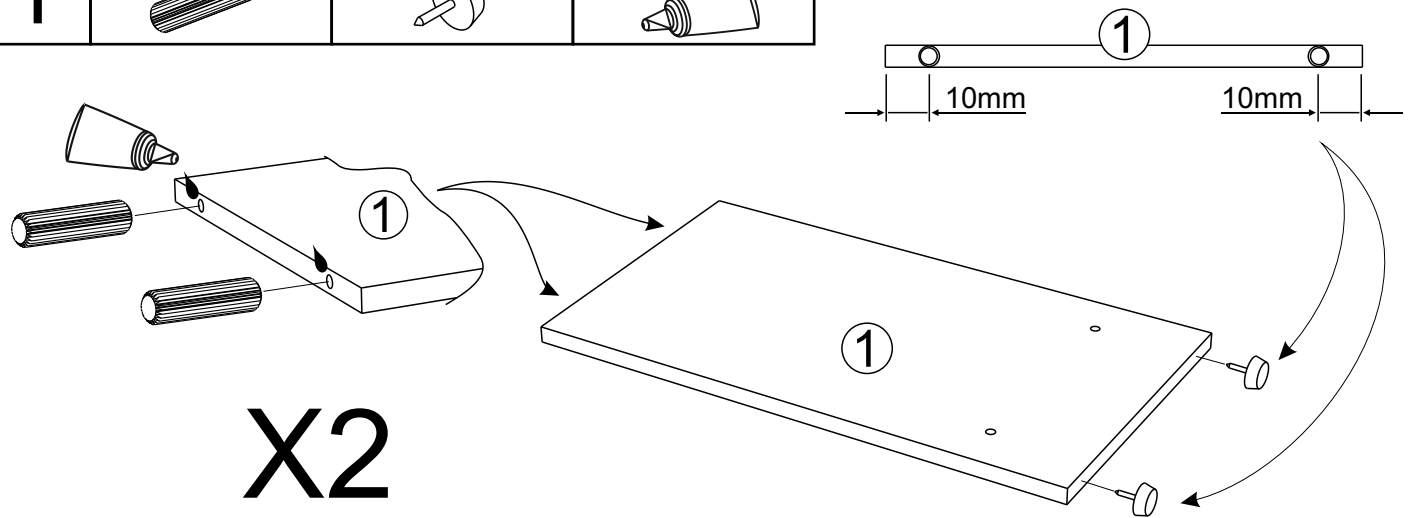


0 1 2 3 4 5 6 7 8 9 10



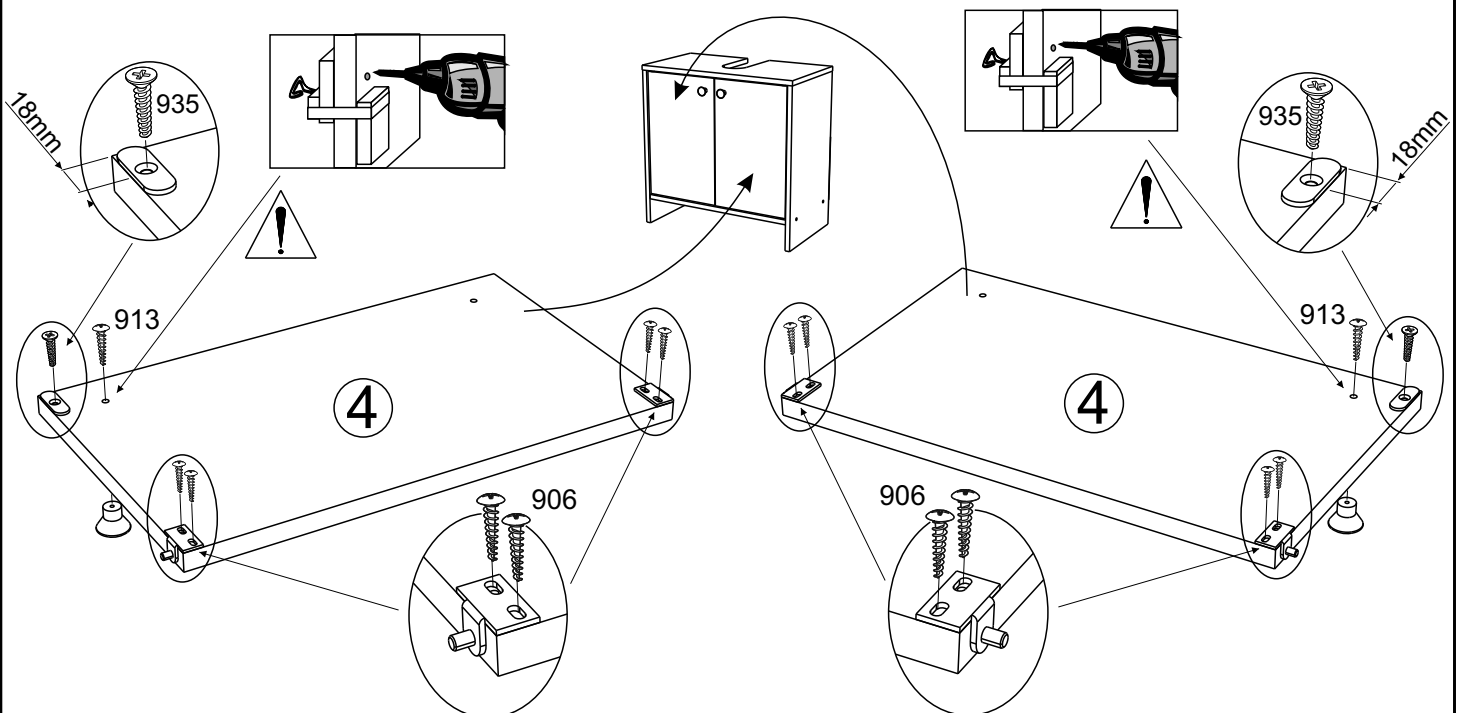
| | | | | | | | | | | | |
|--------|----|-----|----|--------|-----|--------|----|-----|----|--------|----|
| 340750 | X4 | 729 | X4 | 332054 | X2 | 551 | X2 | 550 | X1 | 331144 | X1 |
| | | | | | | | | | | | |
| 935 | X2 | 434 | X1 | 732 | X1 | 604757 | X1 | 560 | X4 | 1107 | X4 |
| | | | | | | | | | | | |
| 450 | X4 | 913 | X2 | 906 | X10 | | | | | | |
| | | | | | | | | | | | |

| | | | | | | |
|----------|-----|----|-----|----|-----|----|
| 1 | 729 | X4 | 560 | X4 | 732 | X1 |
| | | | | | | |



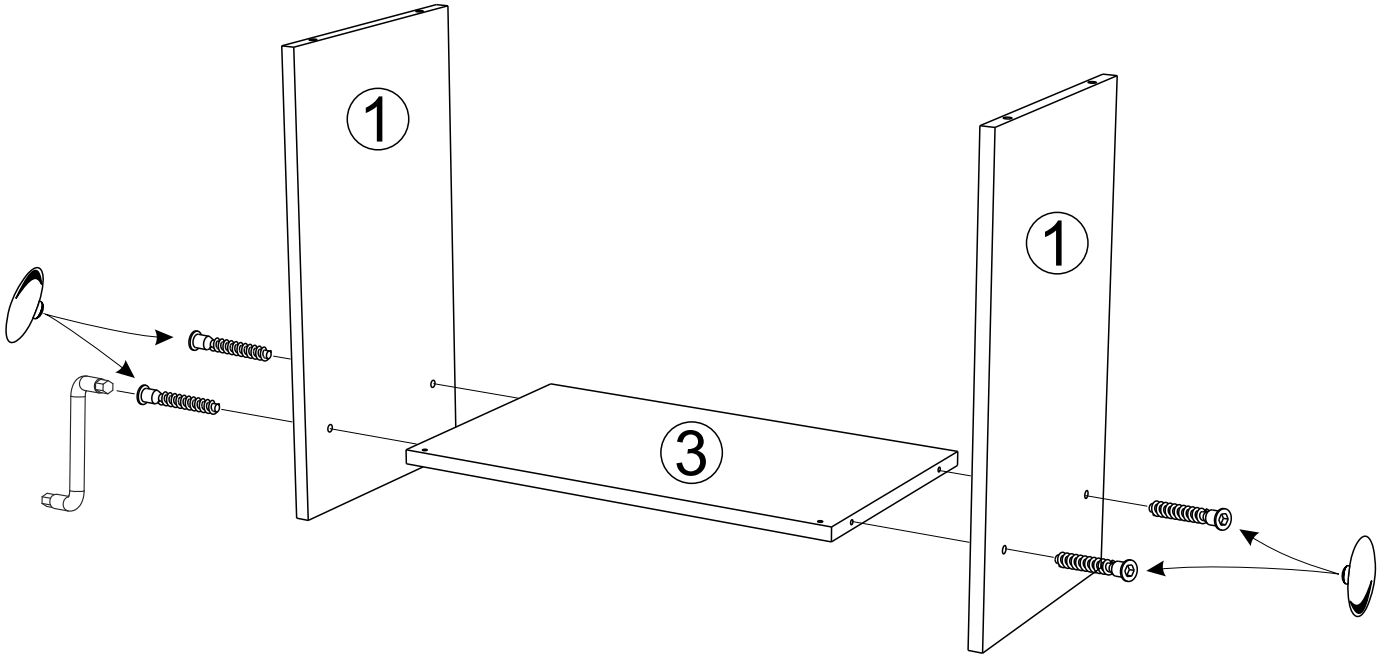
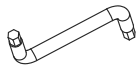
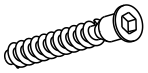
X2

| | | | | | | | | | | | | |
|----------|-----|----|-----|----|-----|----|-----|----|--------|----|-----|----|
| 2 | 450 | X4 | 906 | X8 | 551 | X2 | 935 | X2 | 332054 | X2 | 913 | X2 |
| | | | | | | | | | | | | |



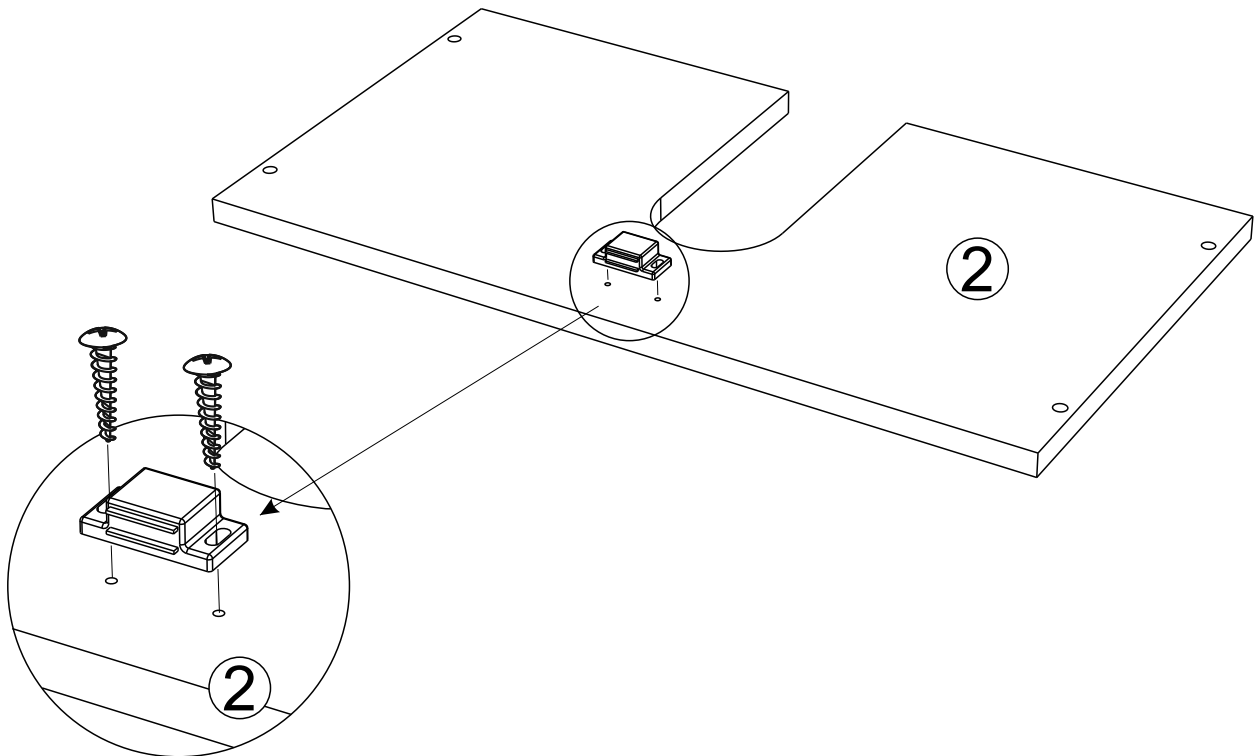
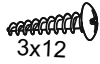
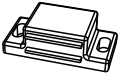
3

| | | | | | |
|--------|----|-----|----|------|----|
| 340750 | X4 | 434 | X1 | 1107 | X4 |
|--------|----|-----|----|------|----|



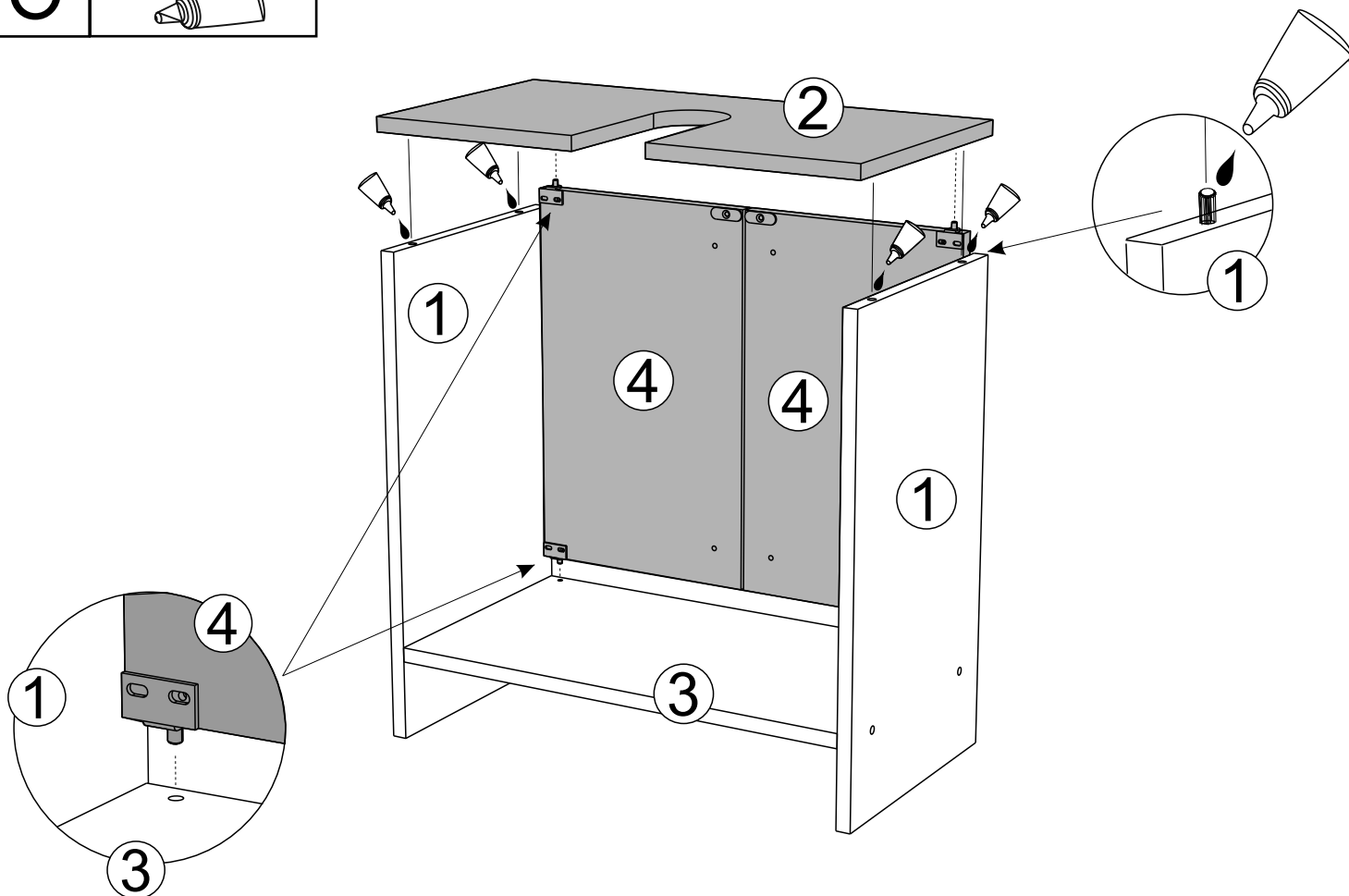
4

| | | | |
|-----|----|-----|----|
| 550 | X1 | 906 | X2 |
|-----|----|-----|----|



5

732 X1



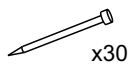
6

604757

X1

331144

X1



x30

