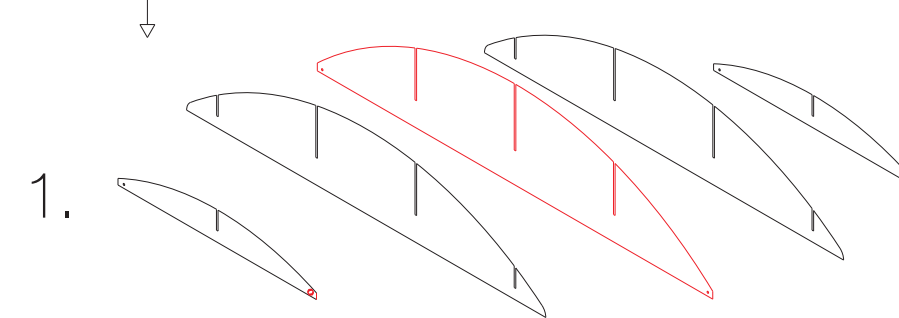
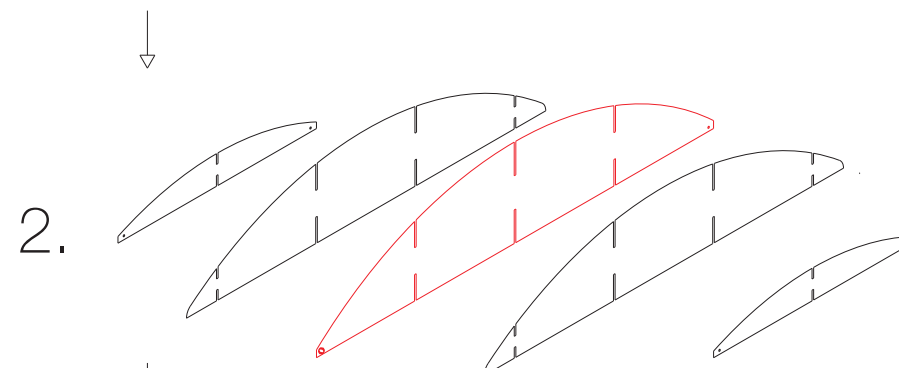
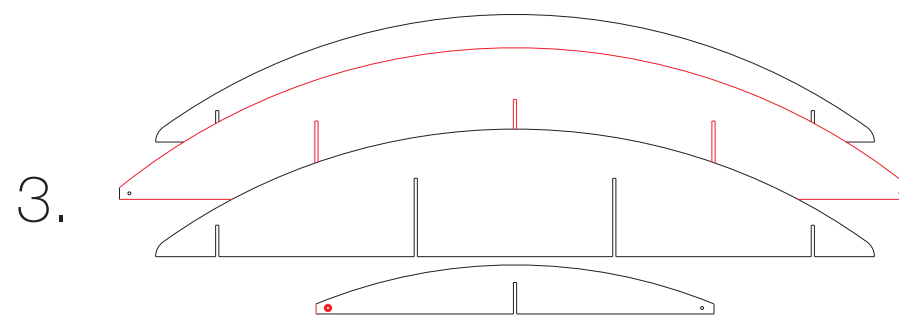
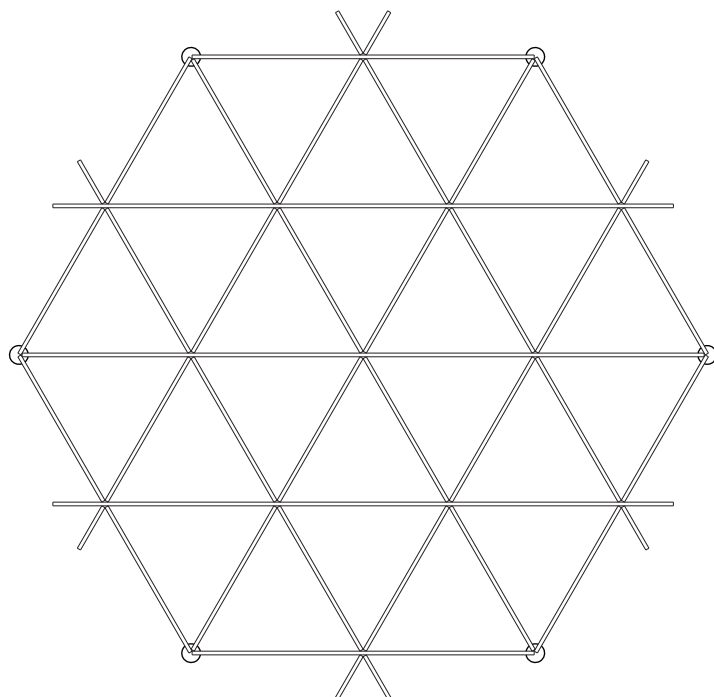


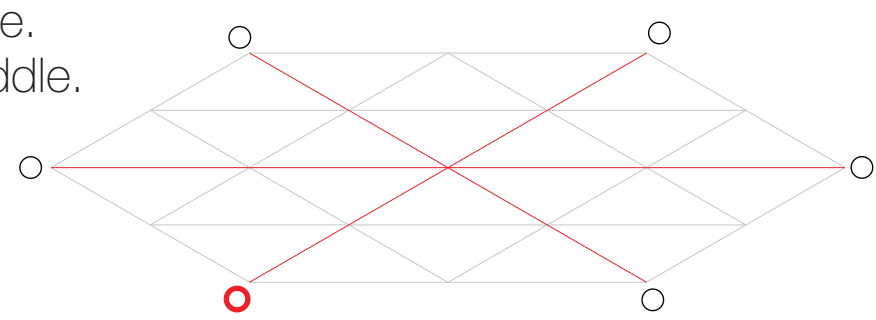
INSTRUCTIONS FOR ASSEMBLY:

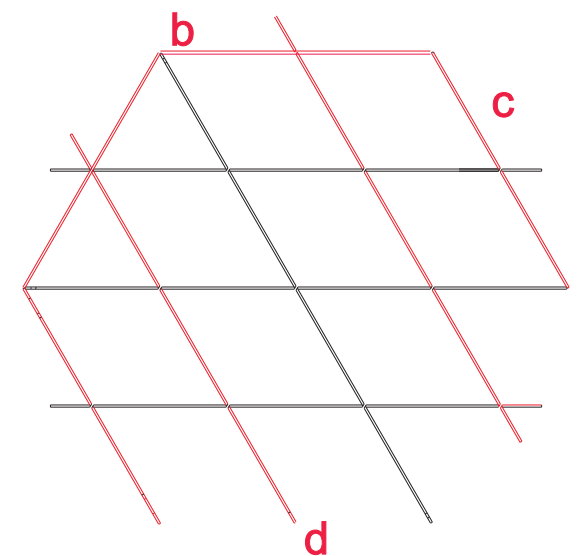
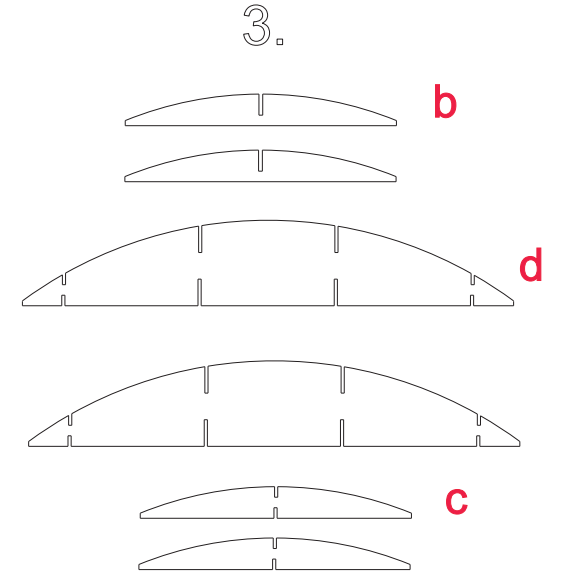
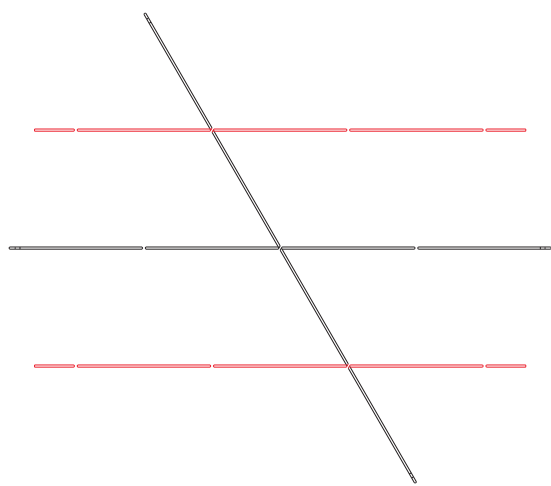
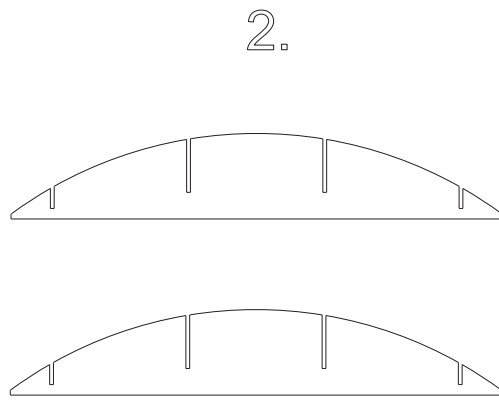
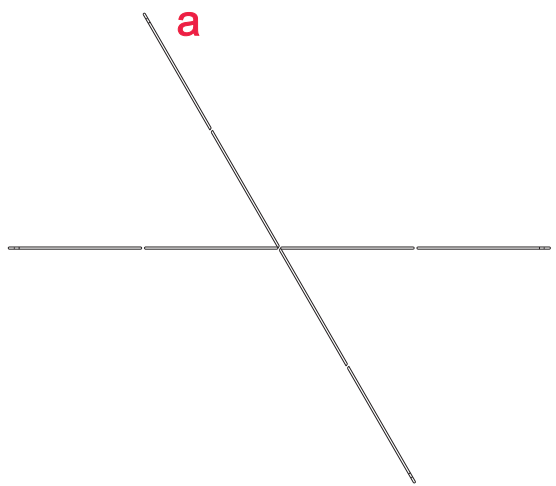
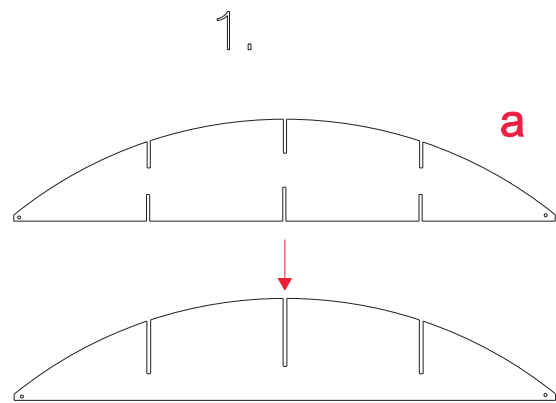
BOOKSHELF "COMB"

Dimensions: 1670 x 1670 x 315 mm, 15 kg



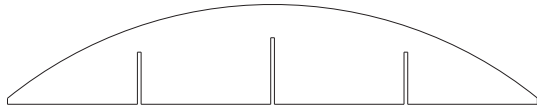
The shelf consists of 3 different sized details-
3 large pc., 6 medium pc., 6 small pc.
They have 3 different kinds of dovetail joints cut inside.
The ones that have joints on both sides go in the middle.



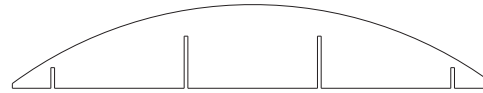


1. Take the two large pieces as shown under drawing 1, and join them from the center.
2. Take the two medium pieces as shown under drawing 2, and slide them into place under the previous detail **a**.
3. Take the four small pieces and two medium pieces in the order shown under drawing 3. Slide them in place.

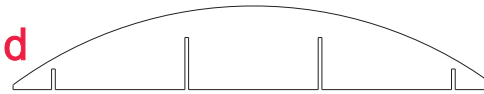
4.



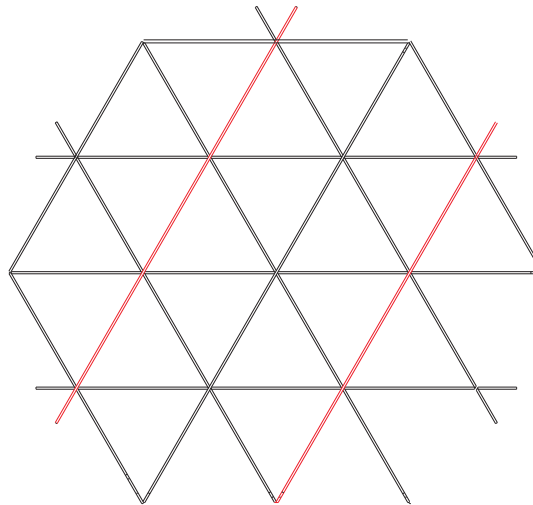
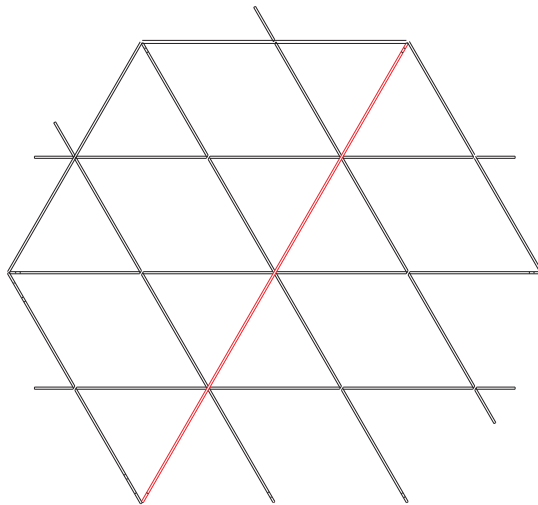
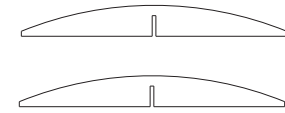
5.



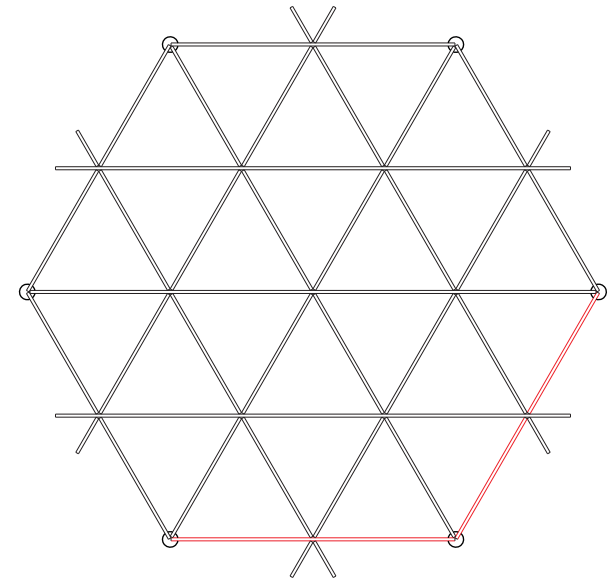
d



6.



d



4. Take the last large detail and slide it on top at the centre.

5. Take the two last medium details as shown under drawing 5 and put them in place marked with red.

6. Take the last two small details and put them in place marked with red.

Join the corners with the 6 metal keyrings. Use the help of a screwdriver and pointed nippers or sth. alike to help open the rings to insert and turn in the holes. Hang the shelf on the wall with the 2 hooks provided.