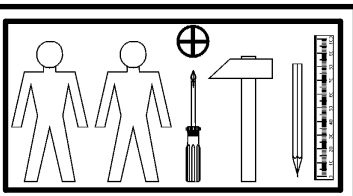
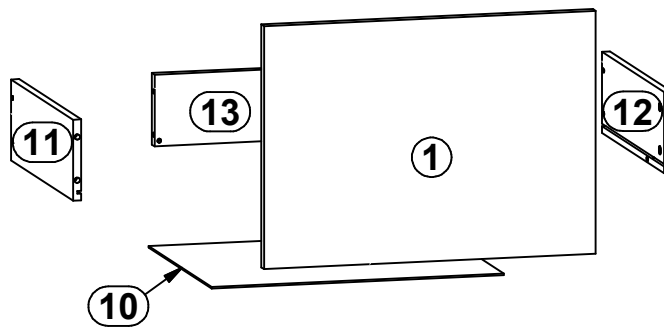
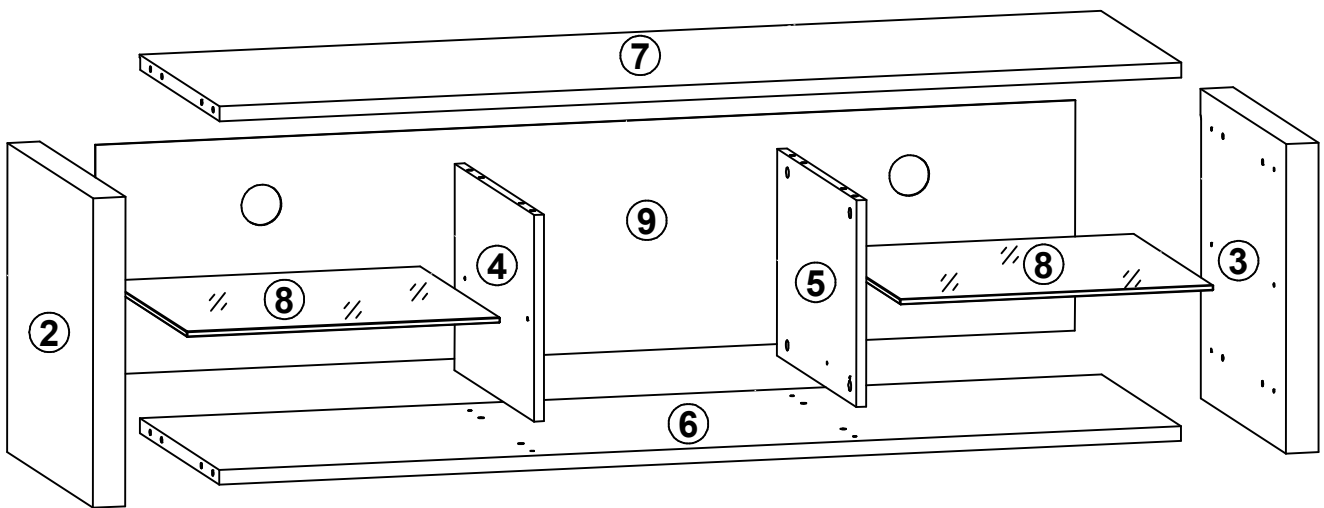
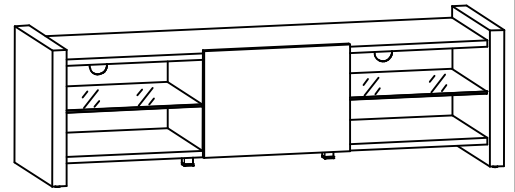


# VENOM

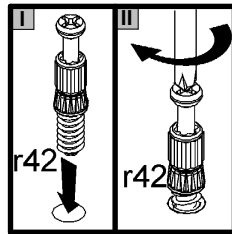
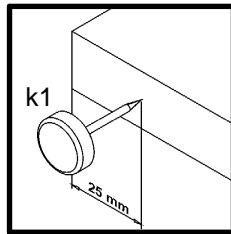
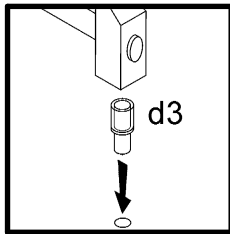
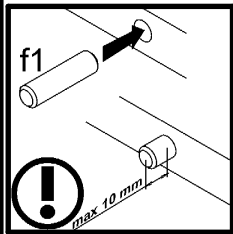
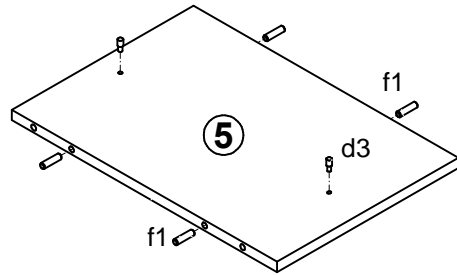
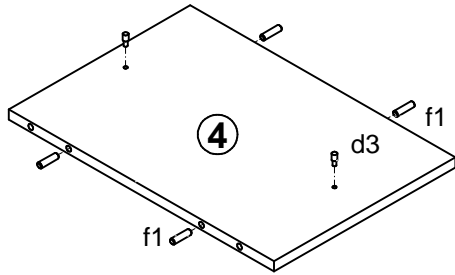
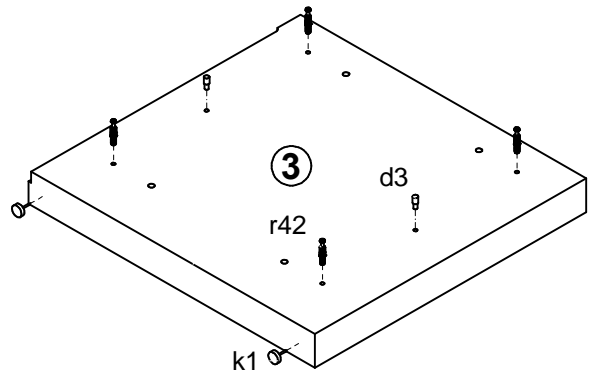
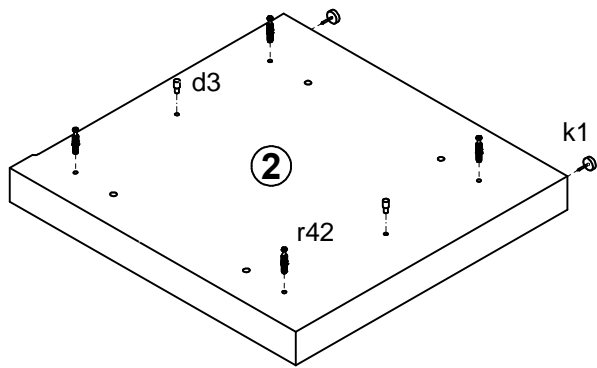
## S139-RTV1S

A	B	C	D
1	S139-009	500	360
2	S139-114	458	482
3	S139-115	458	482
4	S139-116	306	447
5	S139-117	306	447
6	S139-310	1450	447
7	S139-311	1450	451
8	S139-502	472	437
9	S139-909	1477	341
10	S139-910	440	356
11	ZT1-501	350	120
12	ZT1-502	350	120
13	ZT1-506	429	106

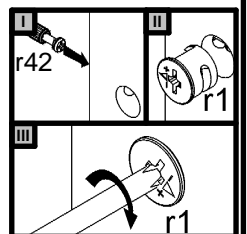
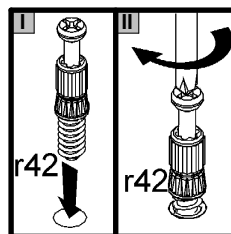
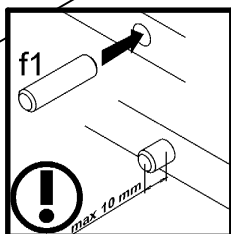
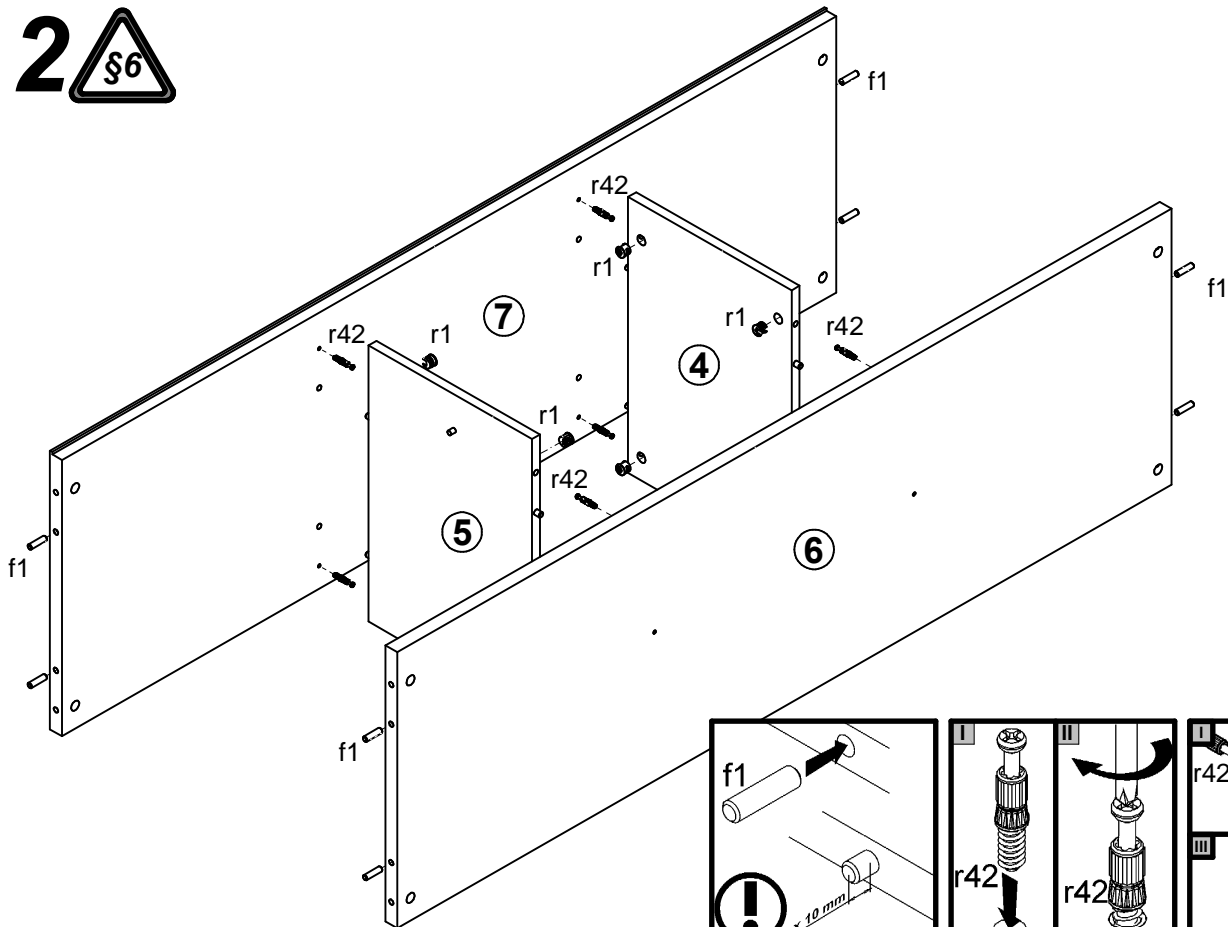


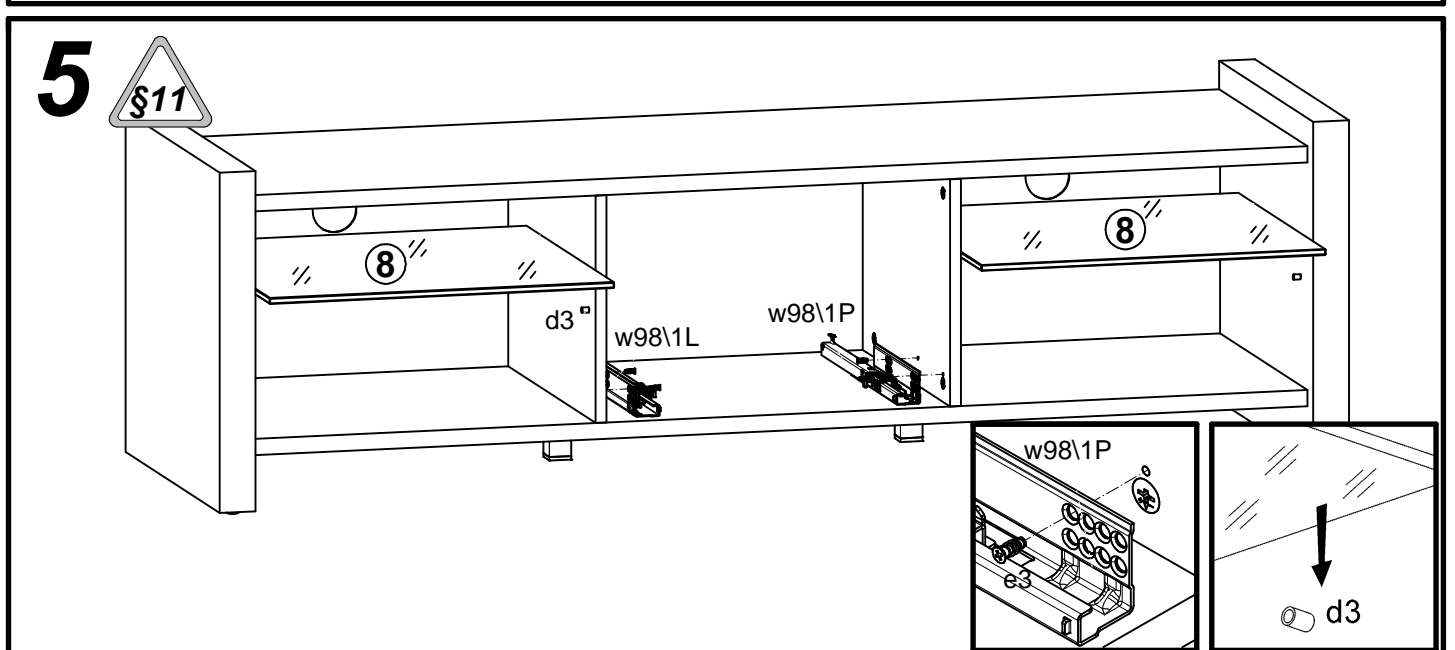
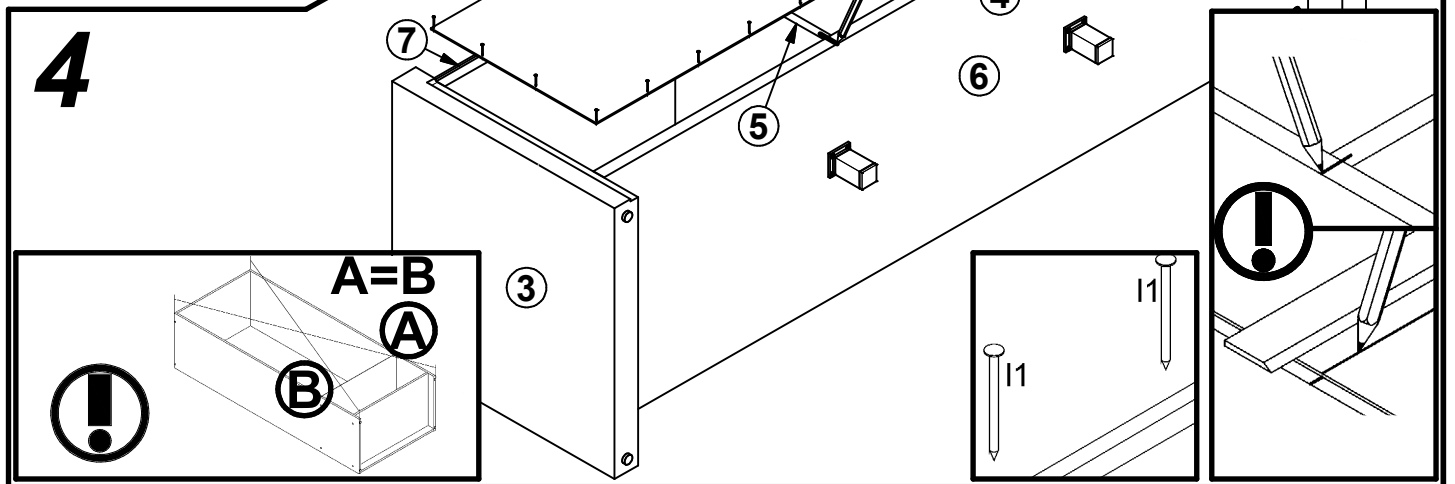
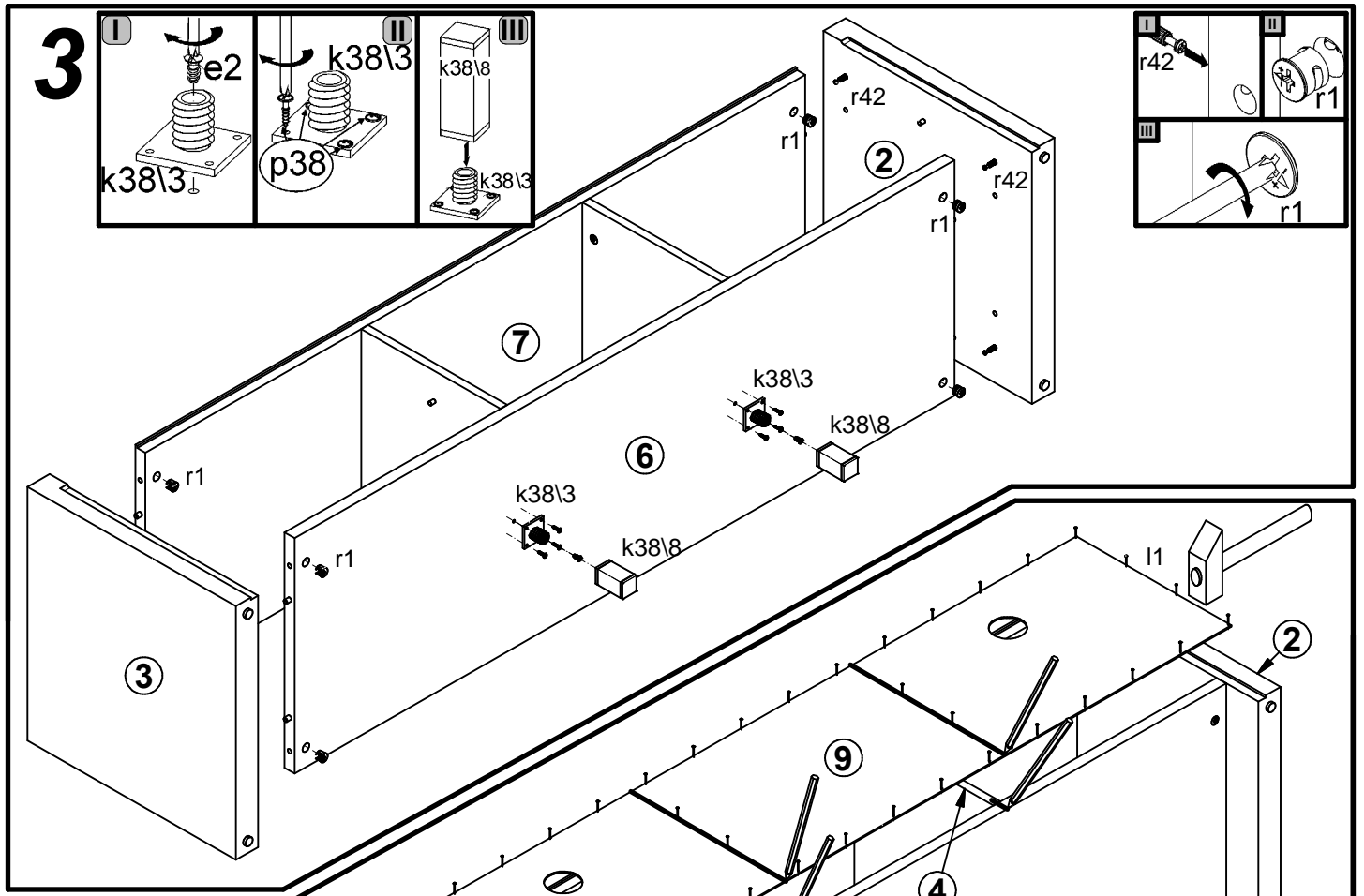
8x φ5x17 mm <b>d3</b>	2x φ6,3x13 mm <b>e2</b>	4x φ6x13 mm <b>e3</b>	16x φ8x30 mm <b>f1</b>	4x φ6,5x40 mm <b>f25</b>	4x <b>k1</b>	2x <b>k38i3</b>	2x <b>k38i8</b>	50x <b>l1</b>
11x φ3,5x16 mm <b>p38</b>	16x φ1,5x12mm #16 <b>r1</b>	4x φ12x10,5mm #12 <b>r15</b>	20x <b>r42</b>	1x L-360 mm <b>w98i1L</b>	1x L-360 mm <b>w98i1P</b>	4x φ16 <b>s2</b>		

# 1

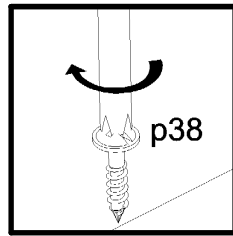
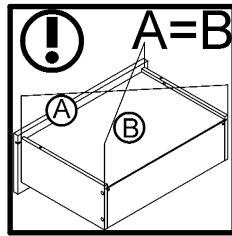
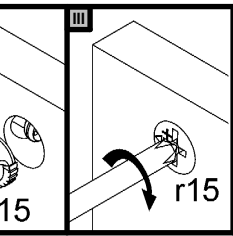
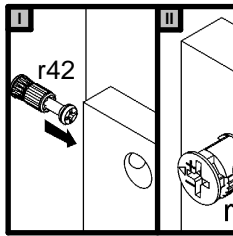
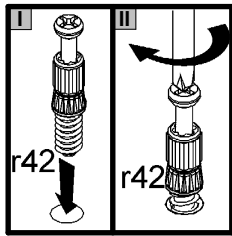
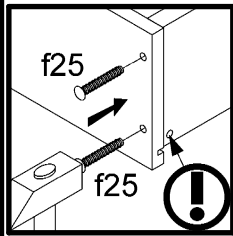
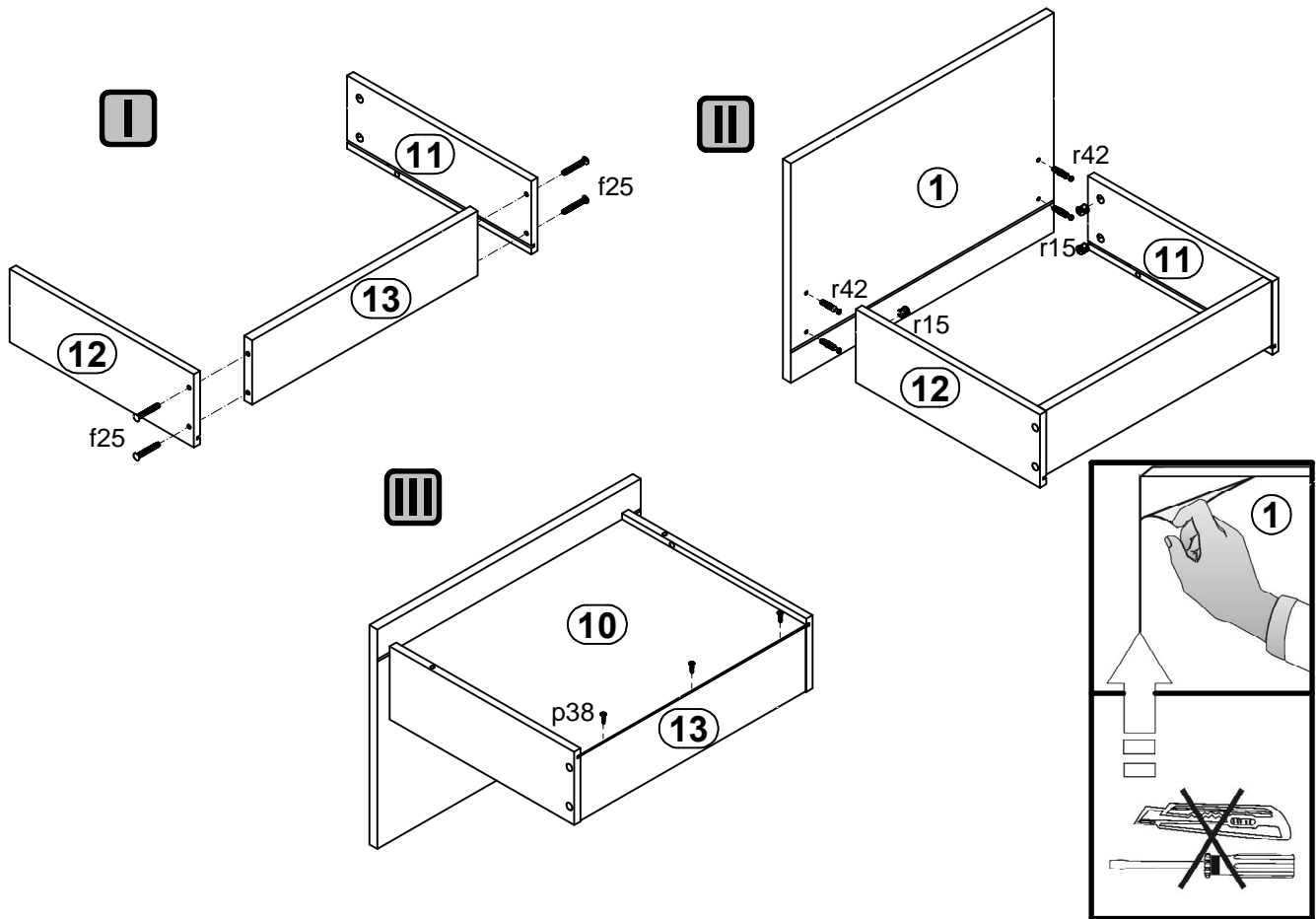


# 2





# 6



# 7

