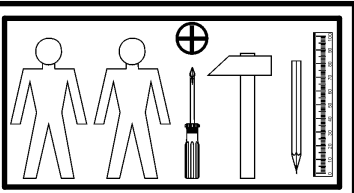
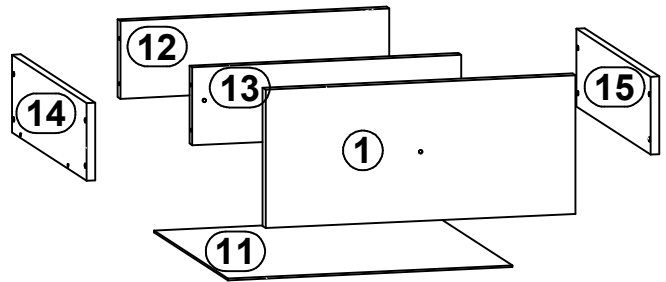
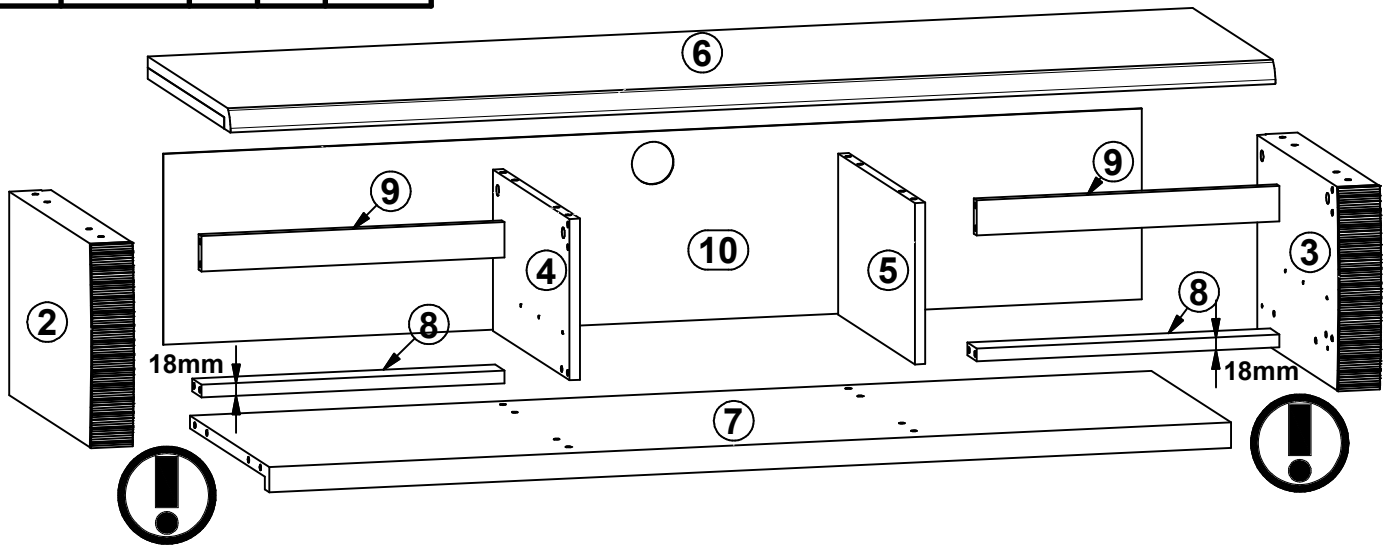
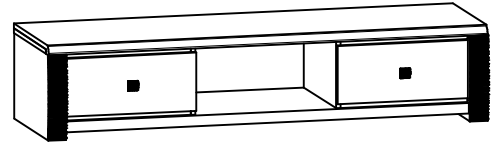


# SENEGAL

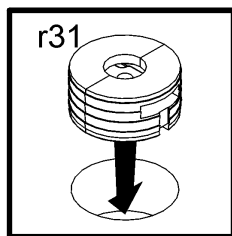
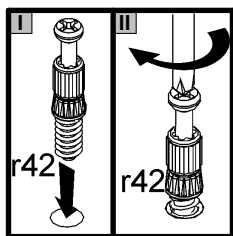
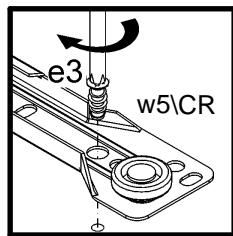
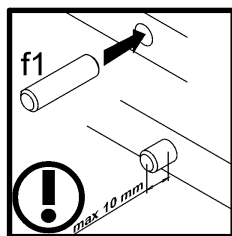
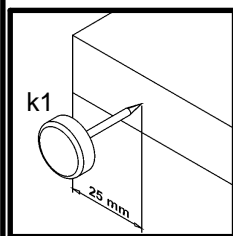
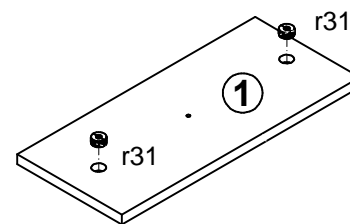
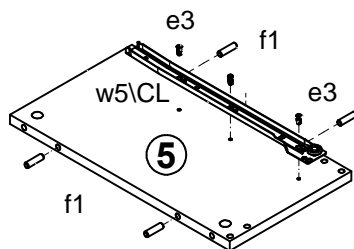
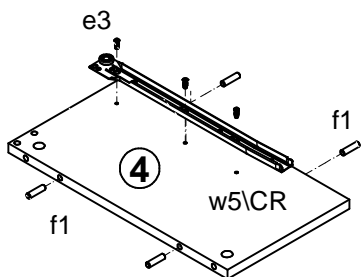
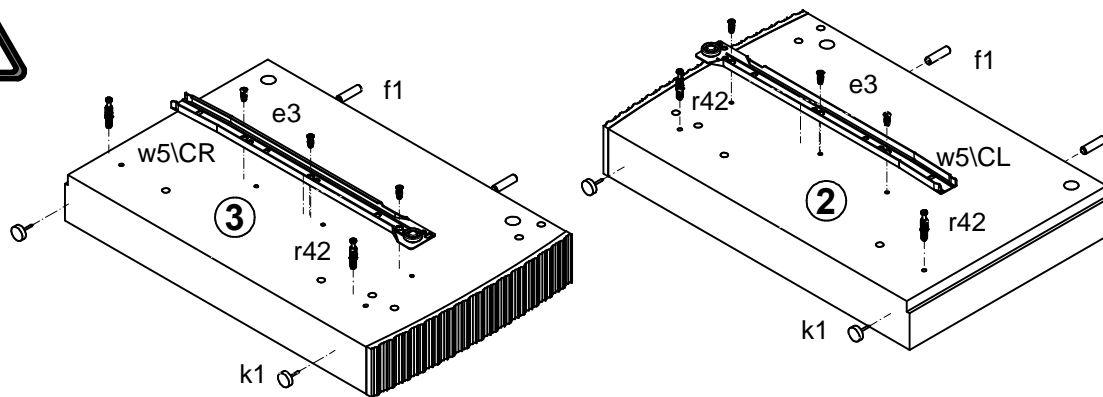
# S175-C/RTV2S

A	B	C	D
1	S175-014	446	196
2	S175-127	288	449
3	S175-128	288	449
4	S175-129	228	411
5	S175-130	228	411
6	S175-209	1504	447
7	S175-319	1384	426
8	S175-403	436	50
9	S175-405	436	50
10	S175-918	270	1408
11	S175-919	409	398
12	ZT3-509	387	110
13	ZT3-510	387	110
14	ZT3-517	400	110
15	ZT3-518	400	110

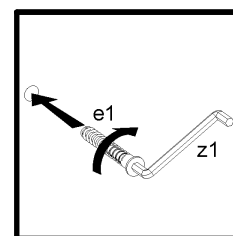
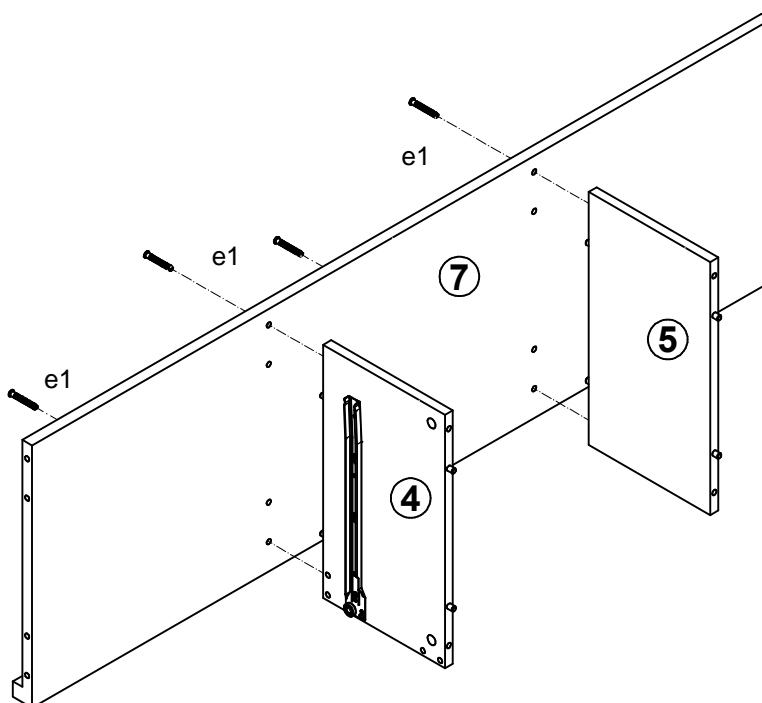


2x  c295V1	2x  c295V2	4x  e1 φ7x50 mm	12x  e3 φ6x13 mm	16x  e32 Ø5x50 mm	32x  f1 φ8x30 mm	2x  j60 M4x22 mm	4x  j8 M4x25 mm	4x  k1		
2x  k2V1	2x  k2V2	40x  l1	16x  p38 Ø3.5x16 mm	12x  r1 φ15x12mm #16	4x  r31 Ø21x10 mm	12x  r42	2x  w5ICL 400 mm	2x  w5ICR 400 mm		
2x  w5IDL 400 mm	2x  w5IDR 400 mm	1x  z1	8x  e19 φ5x9 mm							

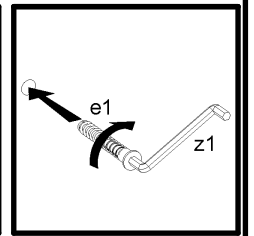
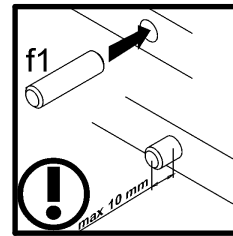
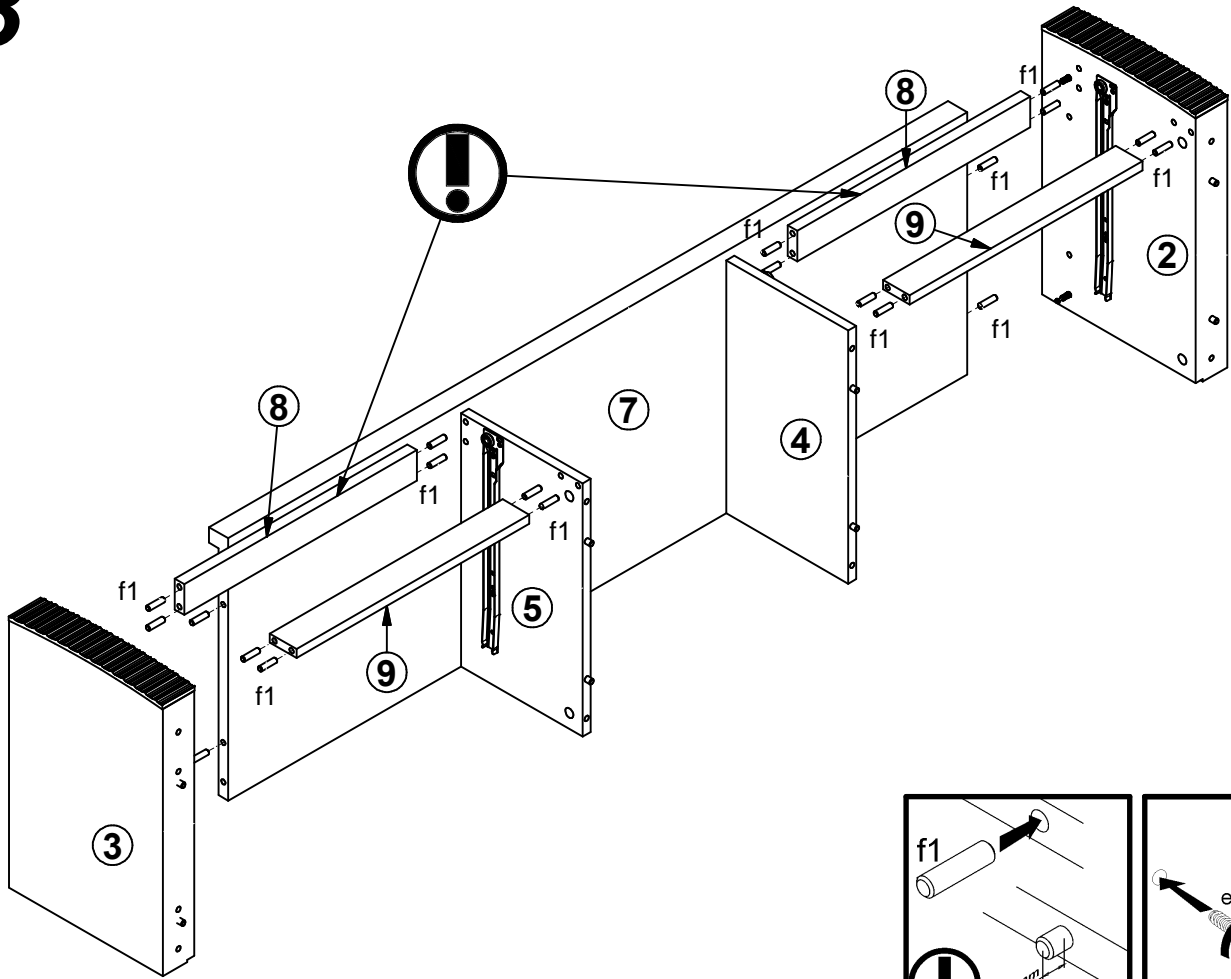
# 1



# 2



# 3



# 4

