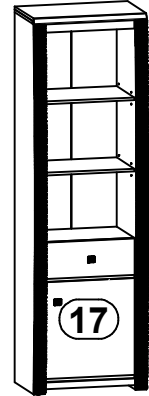
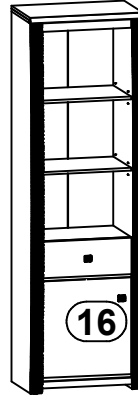
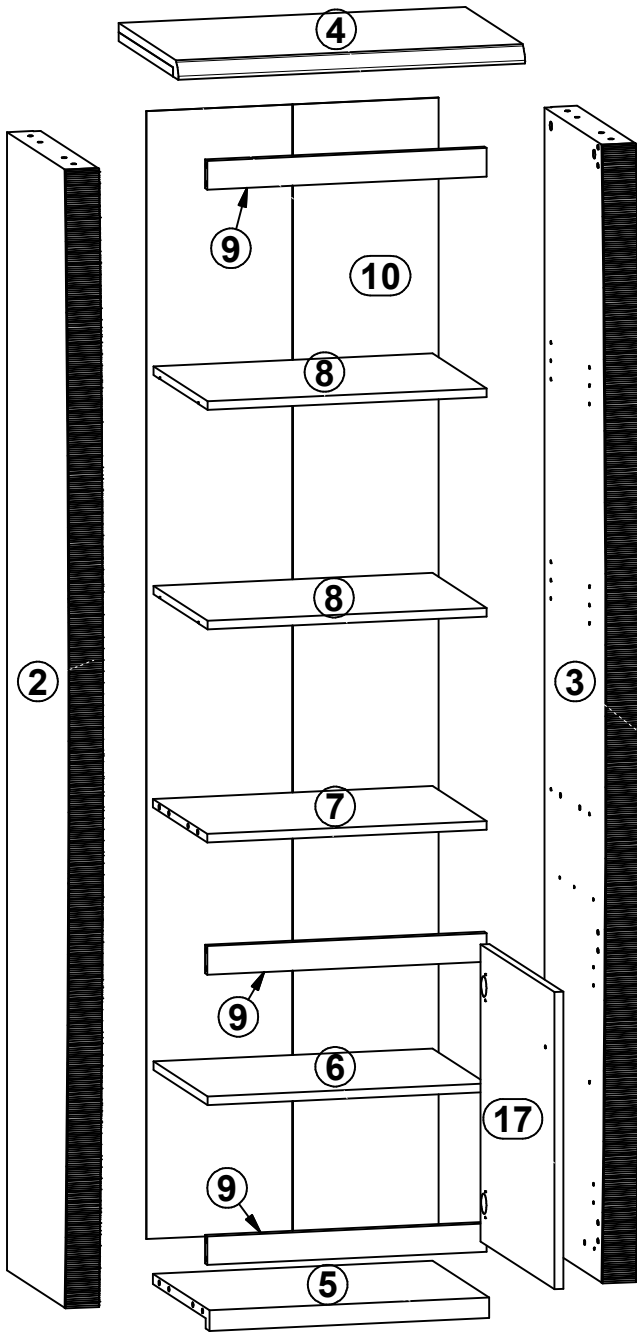


# SENEGAL

# S175-C/REG1D1S

## S175-C/REG1D1SL

## S175-C/REG1D1SP



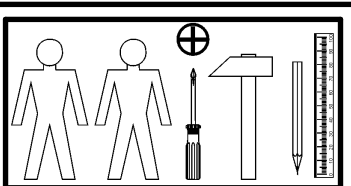
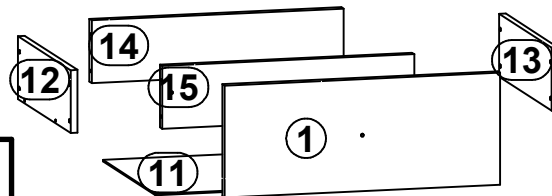
A	B	C	D	
1	S175-011	491	196	4/5
2	S175-125	1992	418	1/5
3	S175-126	1992	418	1/5
4	S175-206	618	398	2/5
5	S175-312	498	377	2/5
6	S175-314	497	361	2/5
7	S175-317	498	362	2/5
8	S175-318	497	361	2/5
9	S175-409	498	50	2/5
10	S175-911	1974	521	1/5
11	S175-913	471	348	2/5
12	ZT3-501	350	110	3/5
13	ZT3-502	350	110	3/5
14	ZT3-511	449	110	3/5
15	ZT3-512	449	110	3/5

## S175-C/REG1D1SL

A	B	C	D	
16	S175-006	491	520	5/5

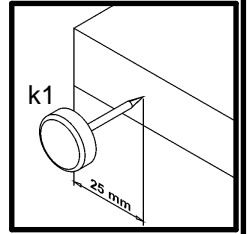
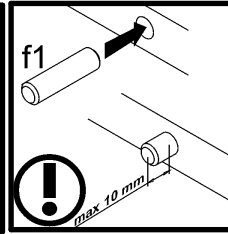
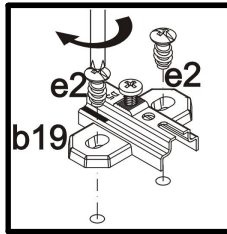
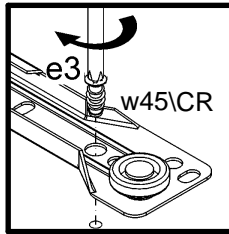
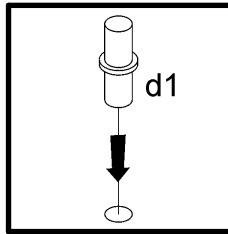
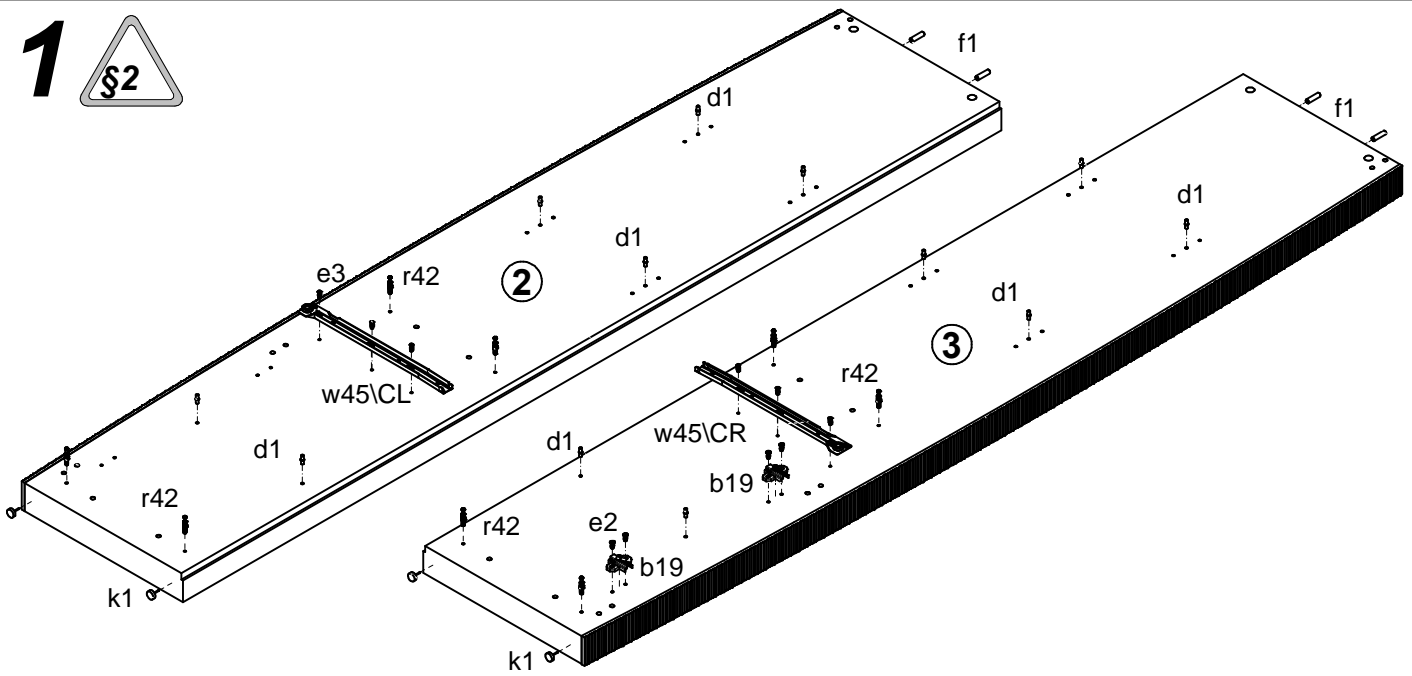
## S175-C/REG1D1SP

A	B	C	D	
17	S175-007	491	520	5/5

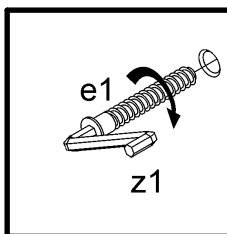
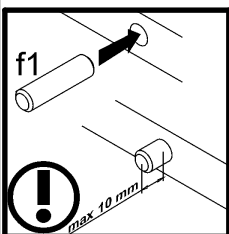
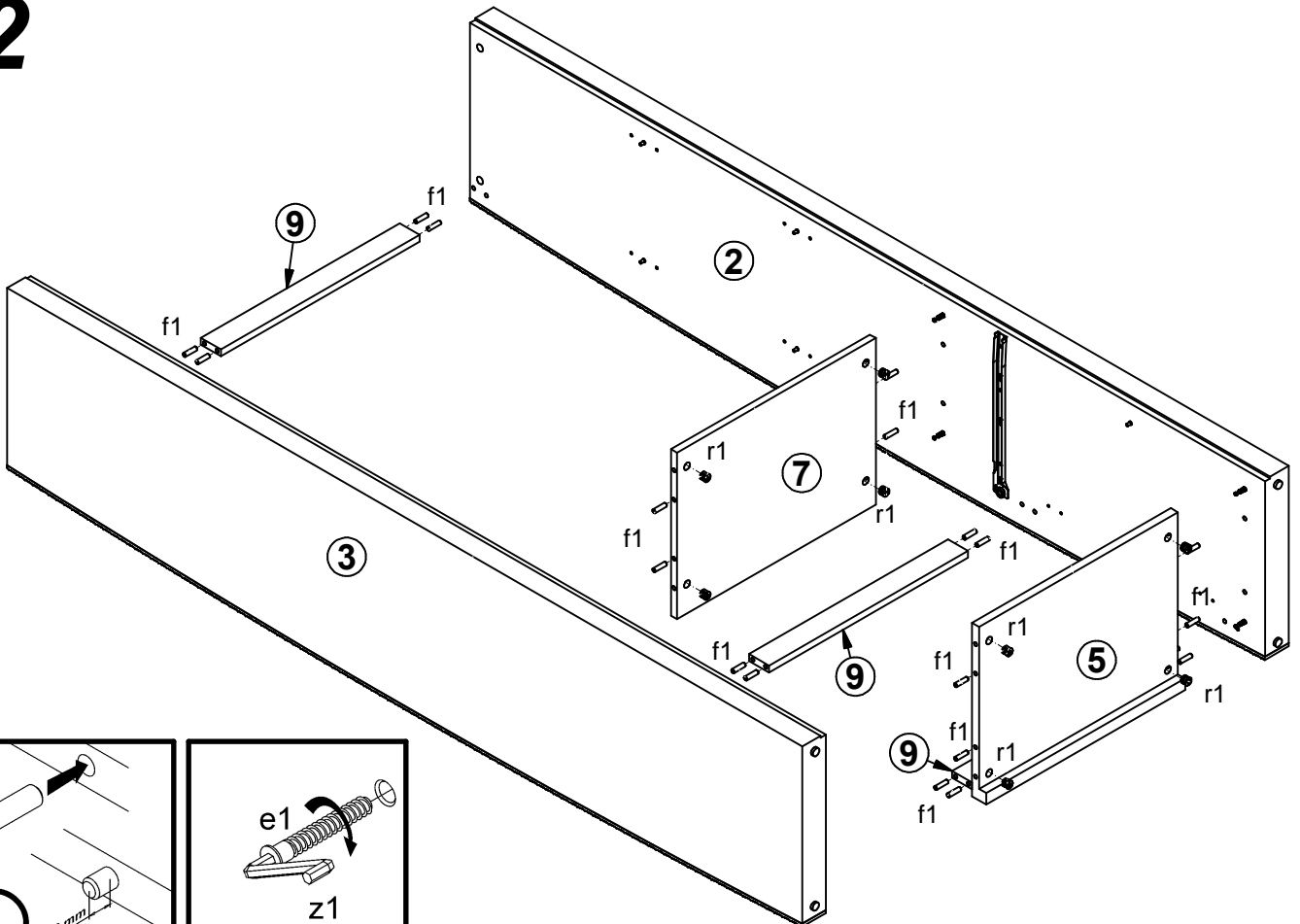


2x  a43	2x  b19	2x  c295\1	2x  c295\2	12x  d1 Ø5x17 mm	4x  e19 φ5x9 mm	4x  e2 Ø6.3x13 mm	6x  e3 Ø6x13 mm	1x  p38 φ3.5x16 mm
8x  e32 Ø5x50 mm	24x  f1 φ8x30 mm	2x  j60 M4x22 mm	2x  j8 M4x25 mm	4x  k1	55x  l1	6x  p38 φ3.5x16 mm	4x  p51 Ø3.5x15 mm	12x  r1 φ15x12mm #16
2x  r31 Ø21x10 mm	12x  r42	1x  w45\CL 350 mm	1x  w45\CR 350 mm	1x  w45\DL 350 mm	1x  w45\DR 350 mm	1x  n26\1		

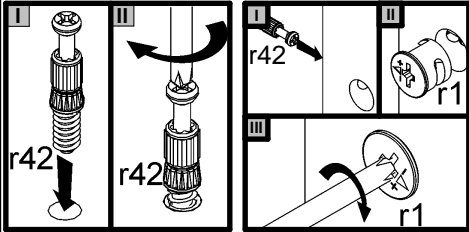
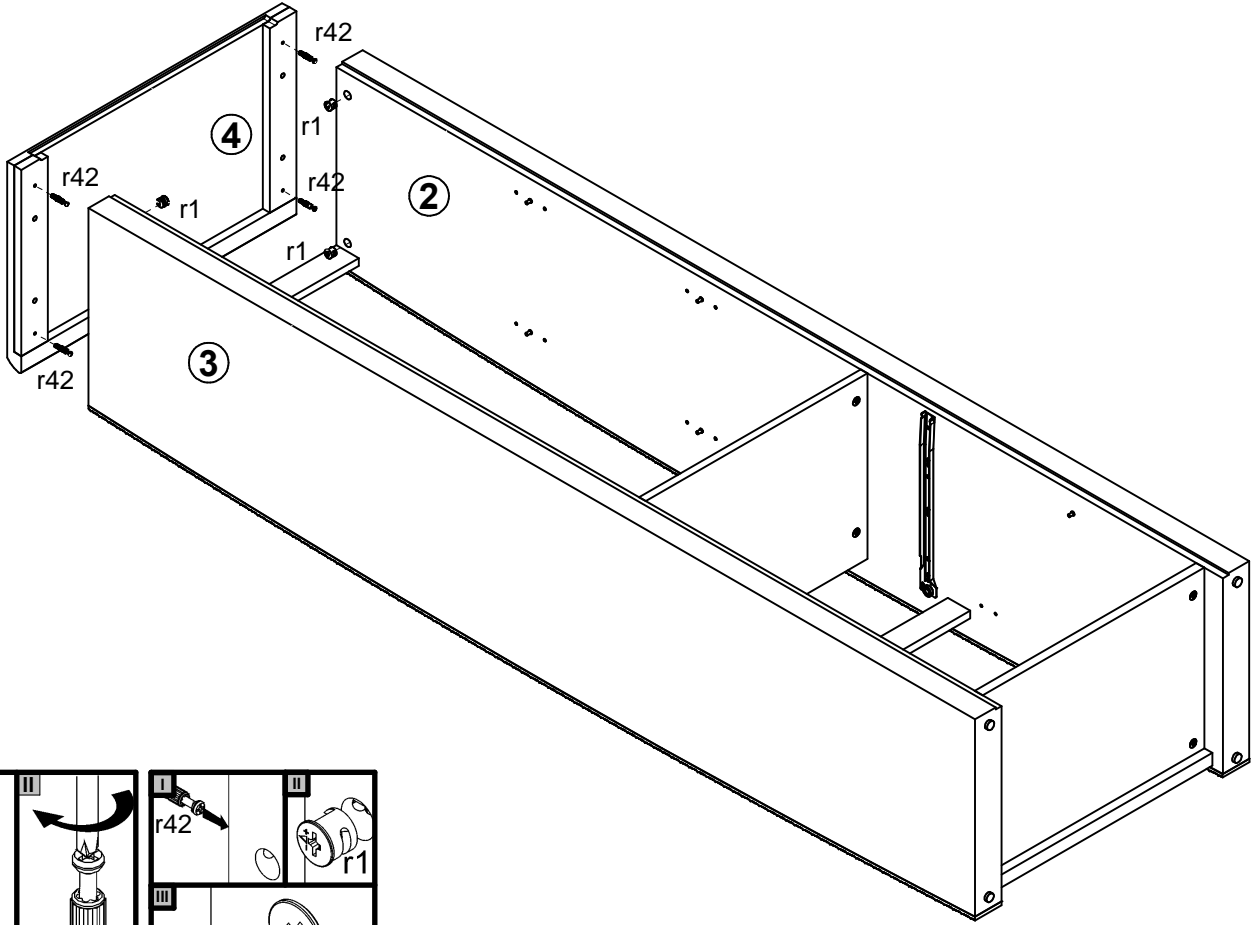
**1** 



**2**



# 3



# 4

