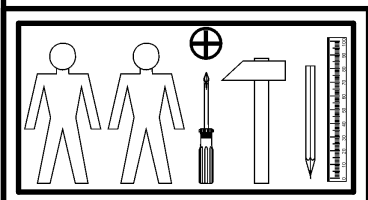
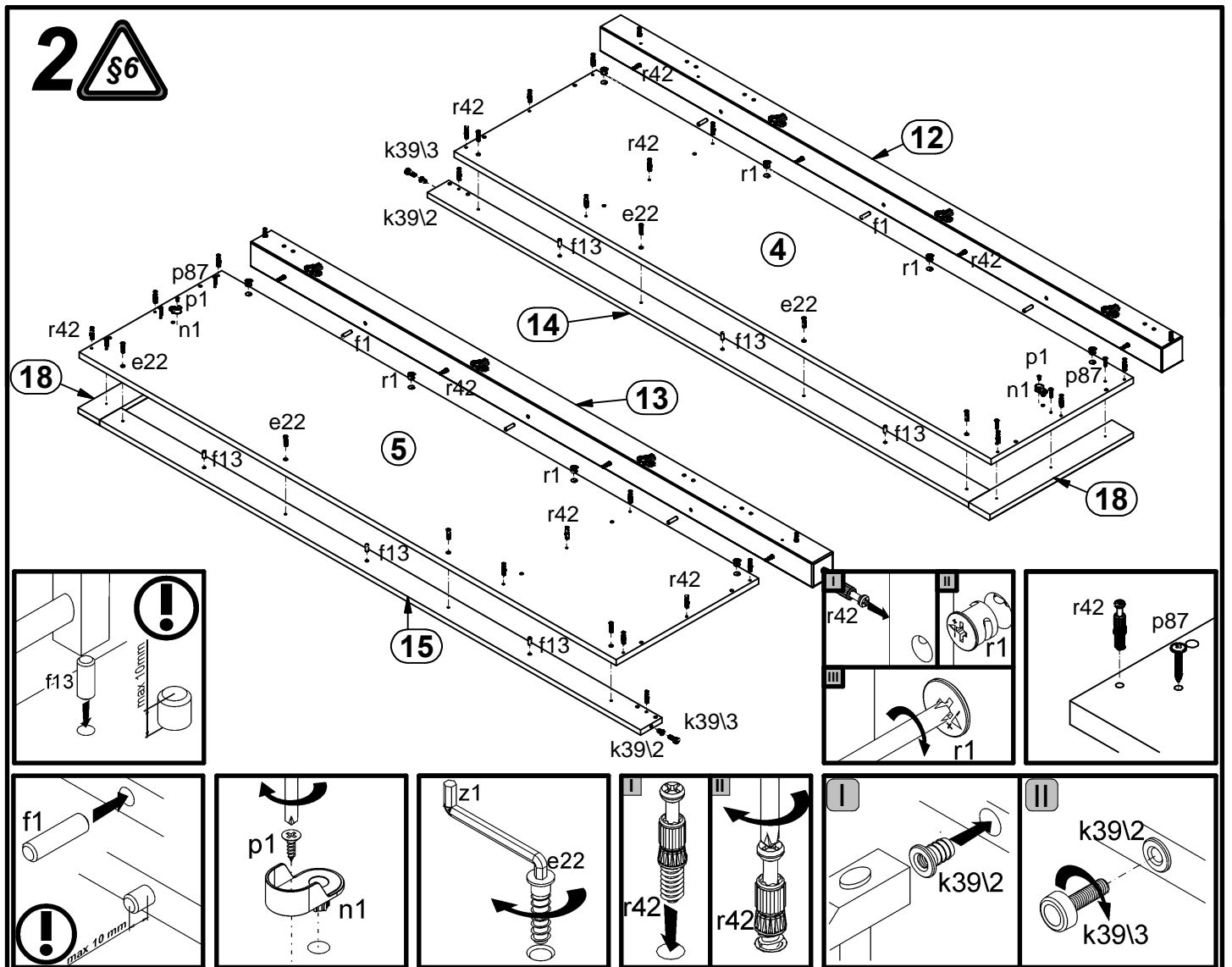
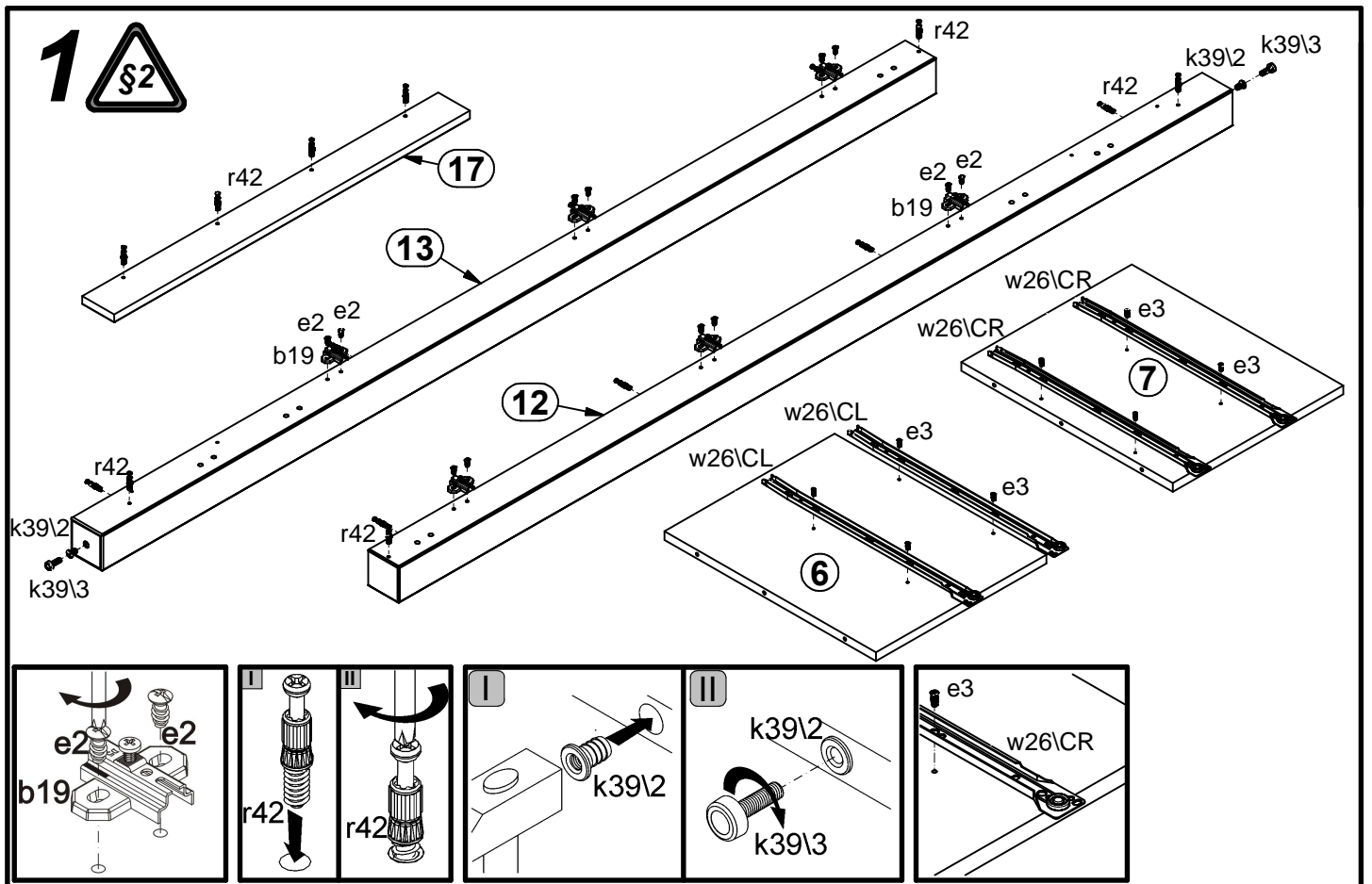


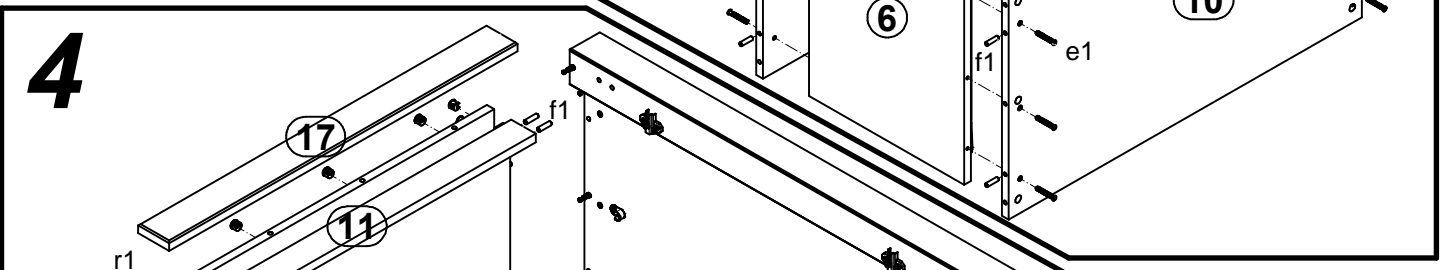
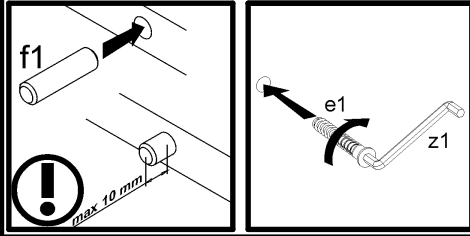
A	B	C	D
1	S83-001	1388	420
2	S83-002	1388	420
3	S83-010	844	176
4	S83-101	1900	504
5	S83-102	1900	504
6	S83-110	406	504
7	S83-111	406	504
8	S83-301	926	561
9	S83-306	926	561
10	S83-310	926	561
11	S83-401	848	60
12	S83-571	1990	76
13	S83-572	1990	76
14	S83-573	1914	76
15	S83-574	1914	76
16	S83-575	90	60
17	S83-584	848	76
18	S83-585	508	76
19	S83-901	1890	955
20	S83-906	810	498
21	ZS1-503	500	120
22	ZS1-504	500	120
23	ZS1-6536	799	120
24	dr-921	921	30



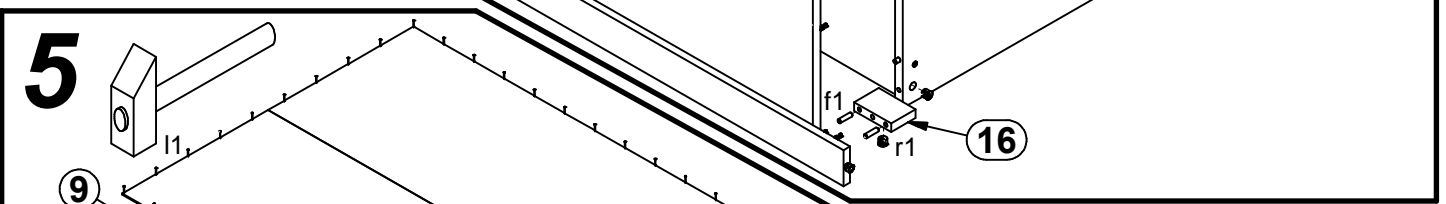
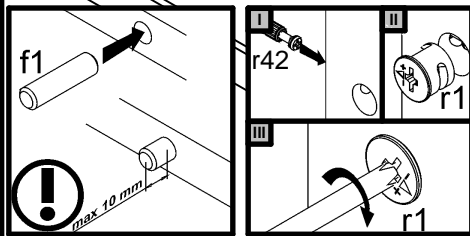
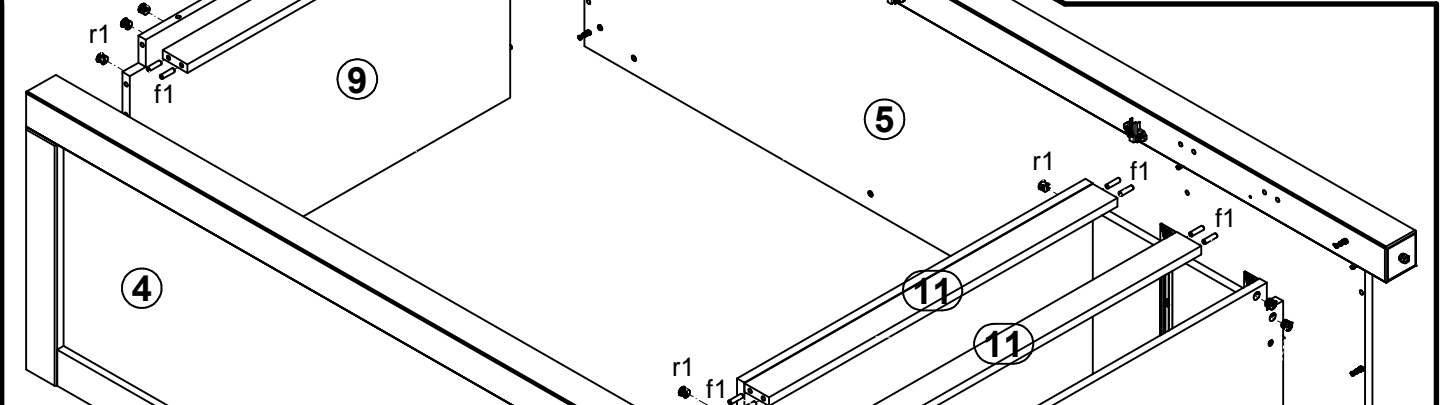
6x  a43	6x  b19	12x  φ7x50 mm e1	12x  φ5x9 mm e19	12x  φ6,3x13 mm e2	8x  φ7x28 mm e22	12x  φ6x13 mm e3	34x  φ8x30 mm f1	6x  φ8x20 mm f13
8x  φ6,5x40 mm f25	4x  M6/φ8x14 mm k39/2	4x  M6/22mm k39/3	65x 	2x 	2x  φ3,5x13 mm p1	4x  φ3,5x16 mm p25	12x  φ3,5x15 mm p51	6x  φ4x25 mm p87
36x  φ15x12mm #16 r1	8x  φ12x10,5mm #12 r15	44x 	2x  483 mm t17	2x  500 mm w26/CL	2x  500 mm w26/CR	2x  500 mm w26/DL	2x  500 mm w26/DR	12x 
12x  ø16 s2	1x 	1x 	1x  φ3,5x16 mm p38					



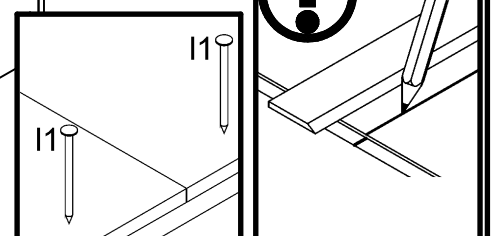
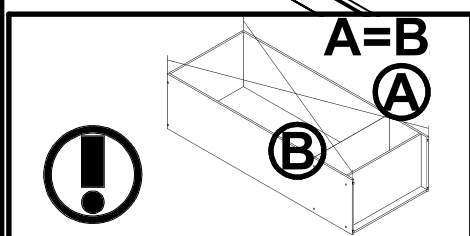
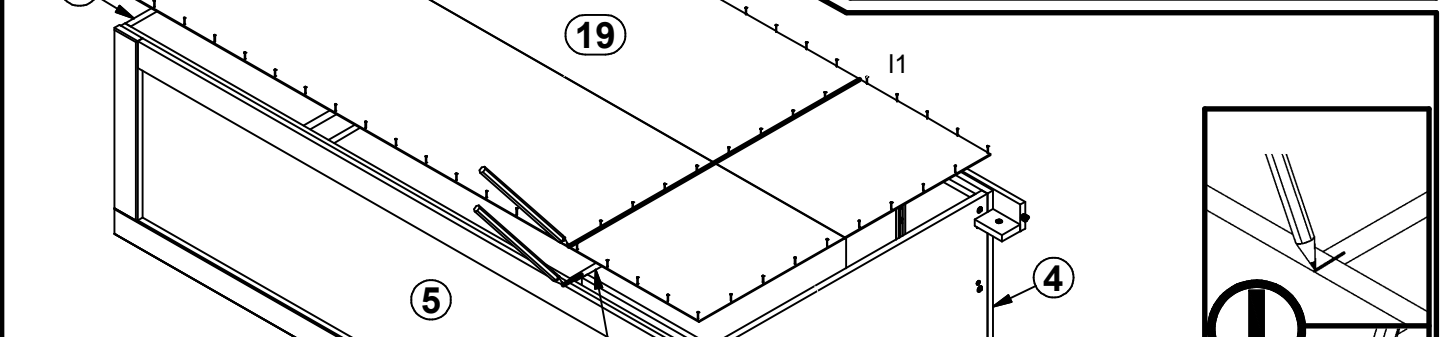
# 3



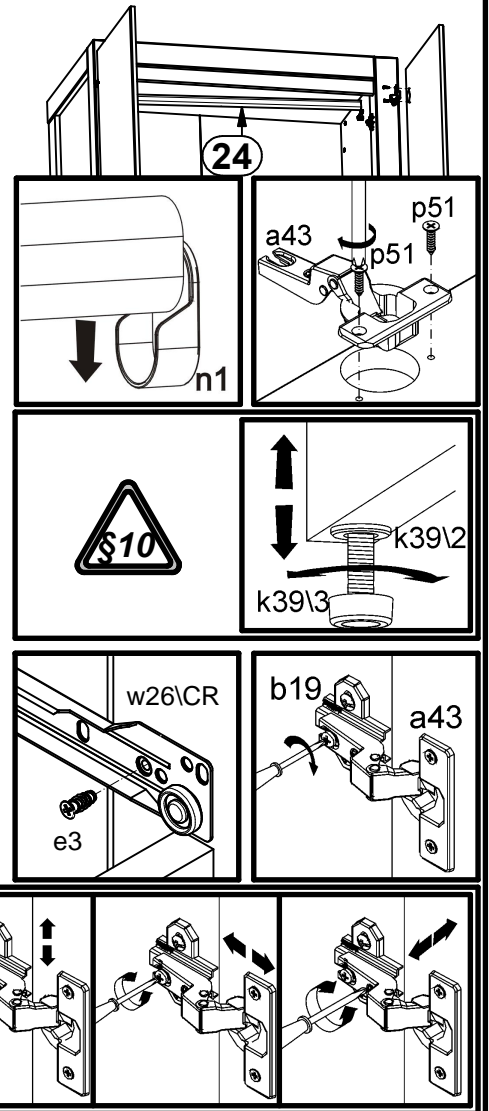
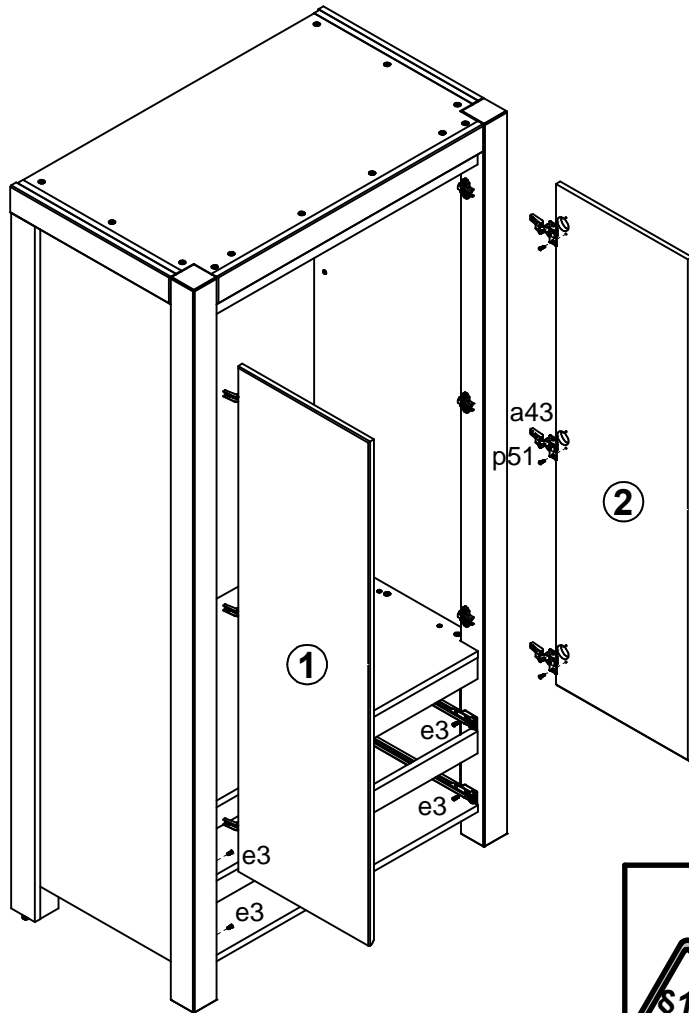
# 4



# 5



# 6



# 7

