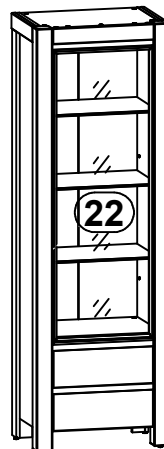


# AUGUST

A	B	C	D	
1	S83-013	482	176	5/6
2	S83-136	1900	372	1/6
3	S83-137	1900	372	1/6
4	S83-138	406	100	2/6
5	S83-1575	376	76	4/6
6	S83-1576	488	76	4/6
7	S83-311	566	429	2/6
8	S83-318	566	429	2/6
9	S83-319	566	429	2/6
10	S83-405	488	60	2/6
11	S83-551	564	370	3/6
12	S83-571	1990	76	4/6
13	S83-572	1990	76	4/6
14	S83-573	1914	76	4/6
15	S83-574	1914	76	4/6
16	S83-575	90	60	4/6
17	S83-910	450	398	2/6
18	S83-919	1890	595	1/6
19	ZS1-517	400	120	2/6
20	ZS1-518	400	120	2/6
21	ZS1-6530	439	120	2/6



**S83-REG1W2SL**



**S83-REG1W2SP**

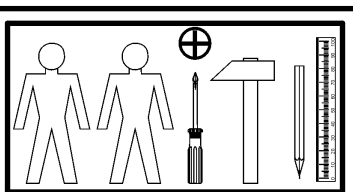
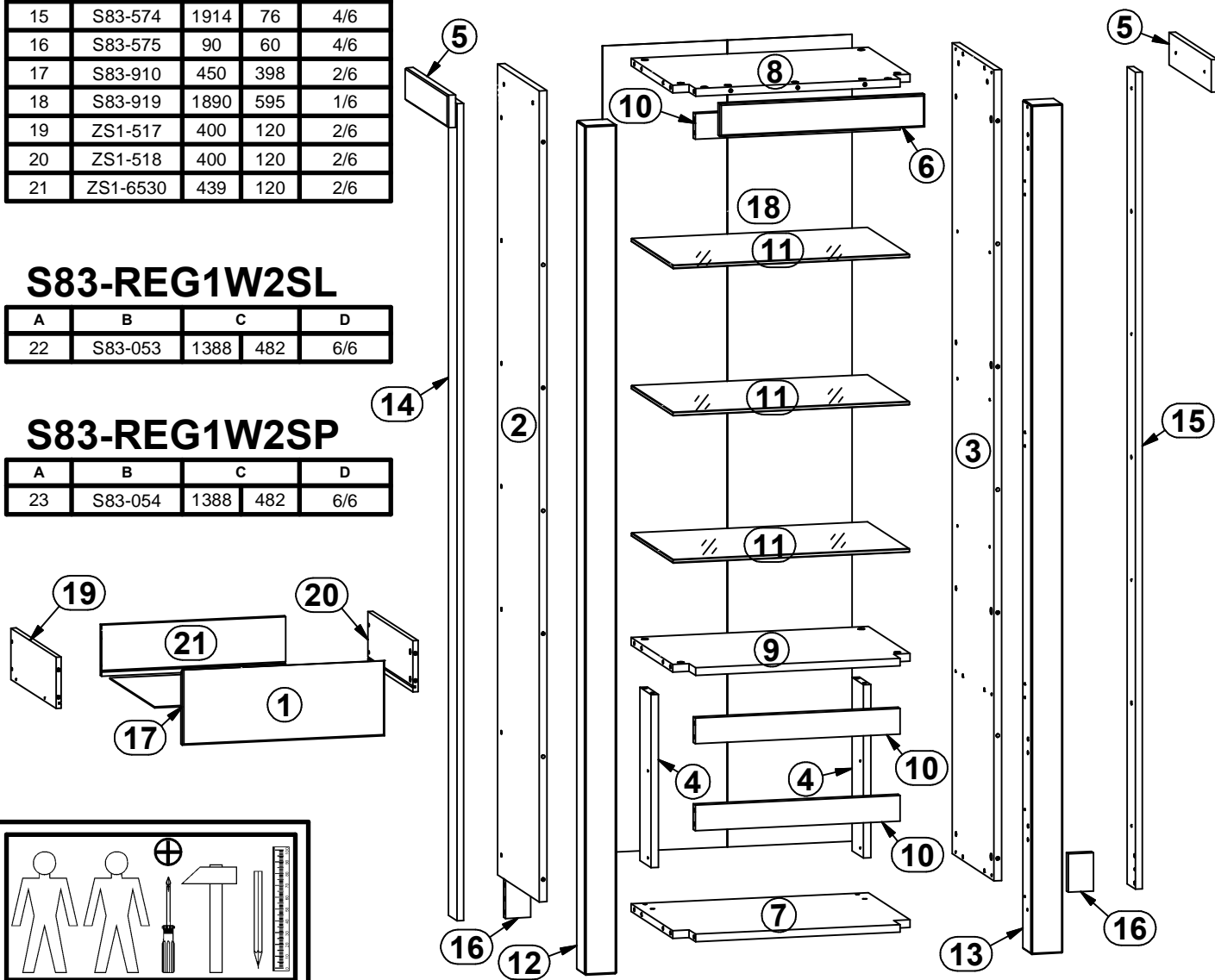


## S83-REG1W2SL

A	B	C	D	
22	S83-053	1388	482	6/6

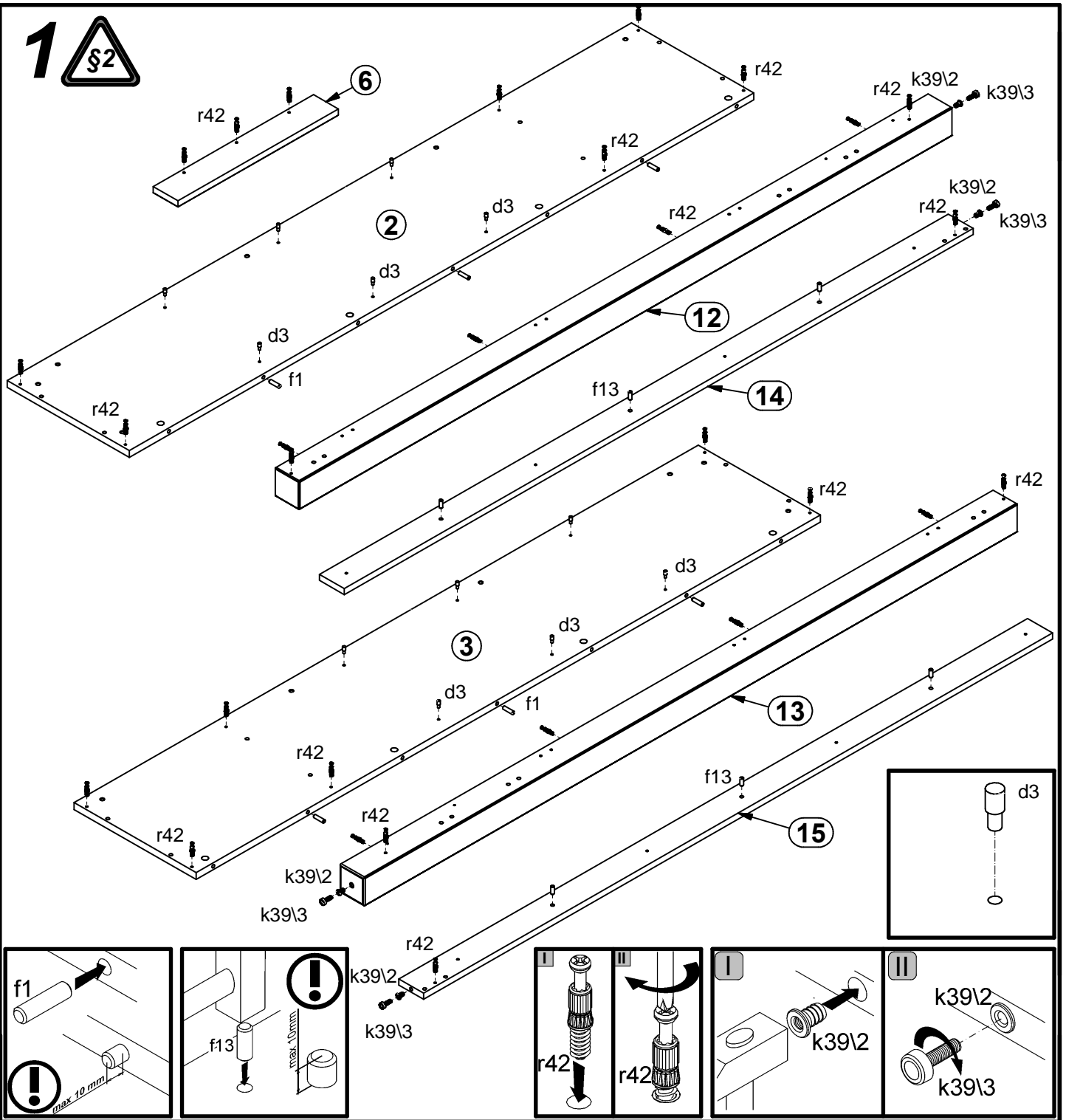
## S83-REG1W2SP

A	B	C	D	
23	S83-054	1388	482	6/6

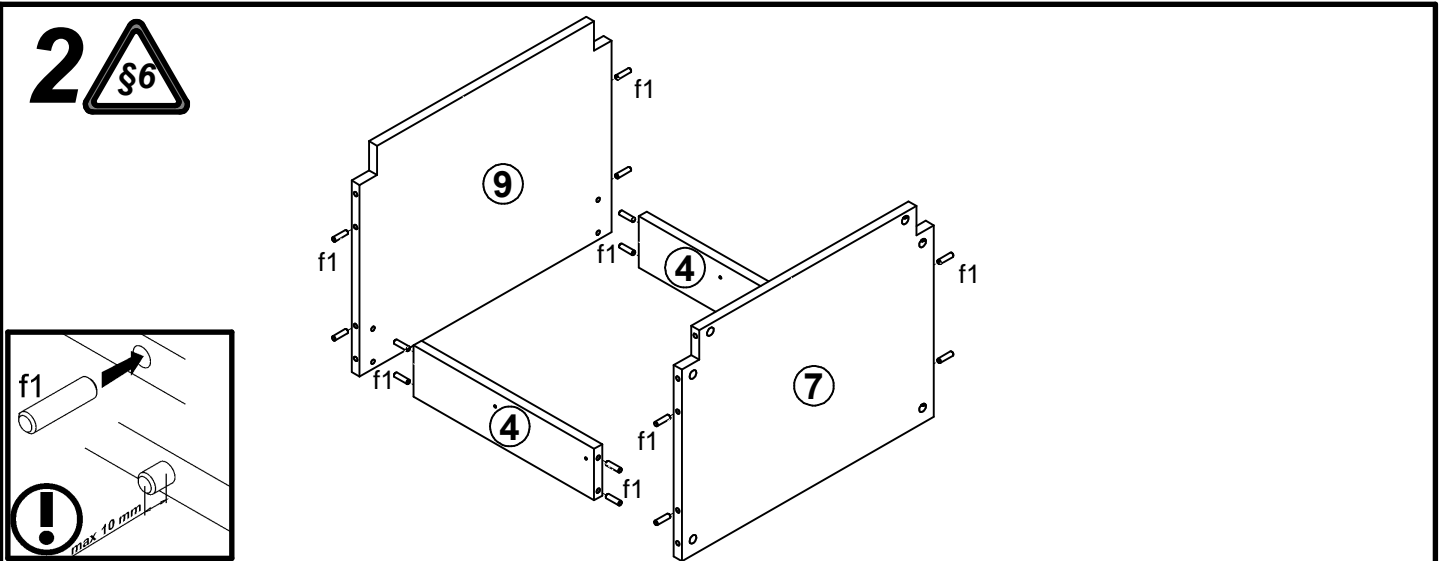


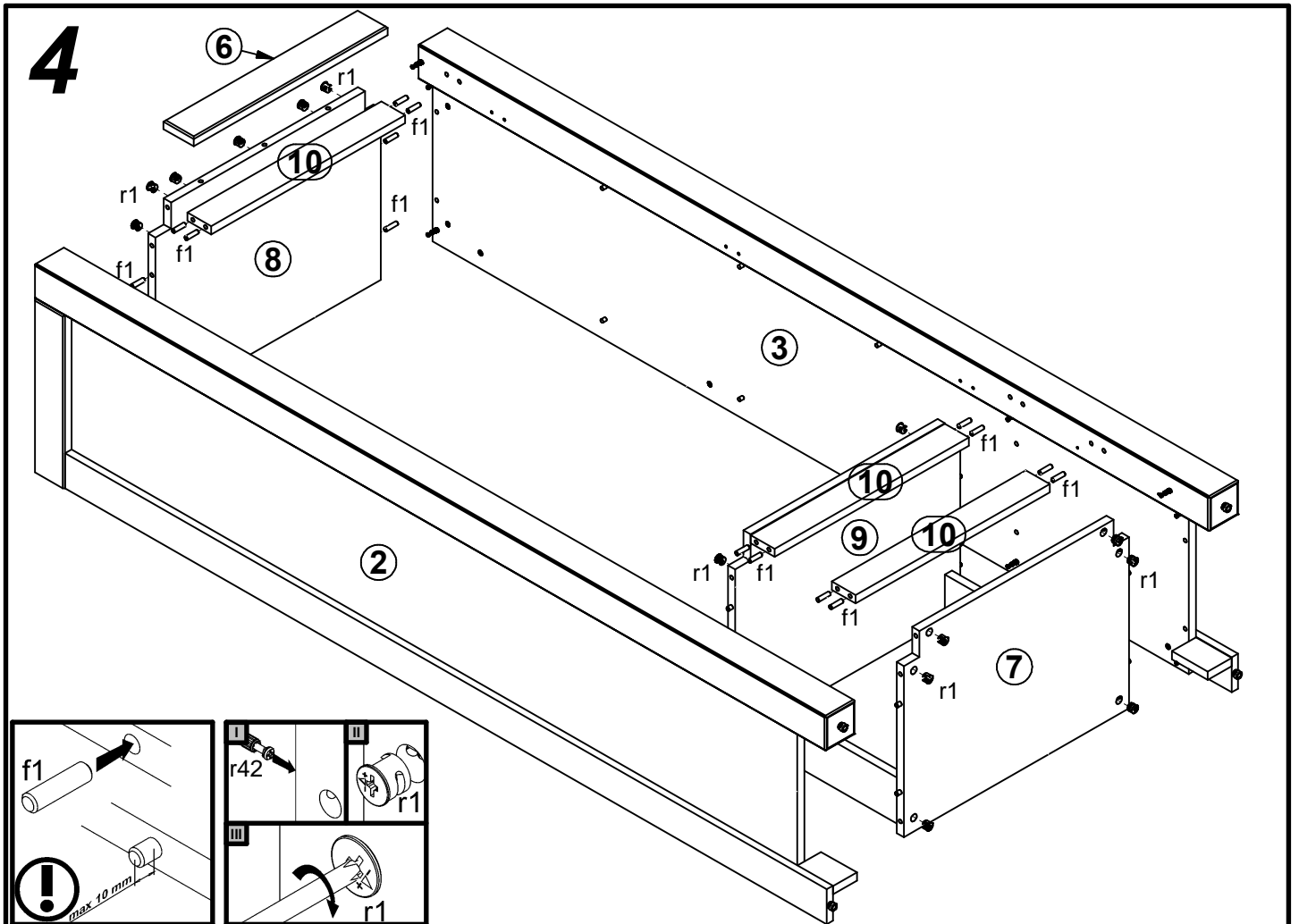
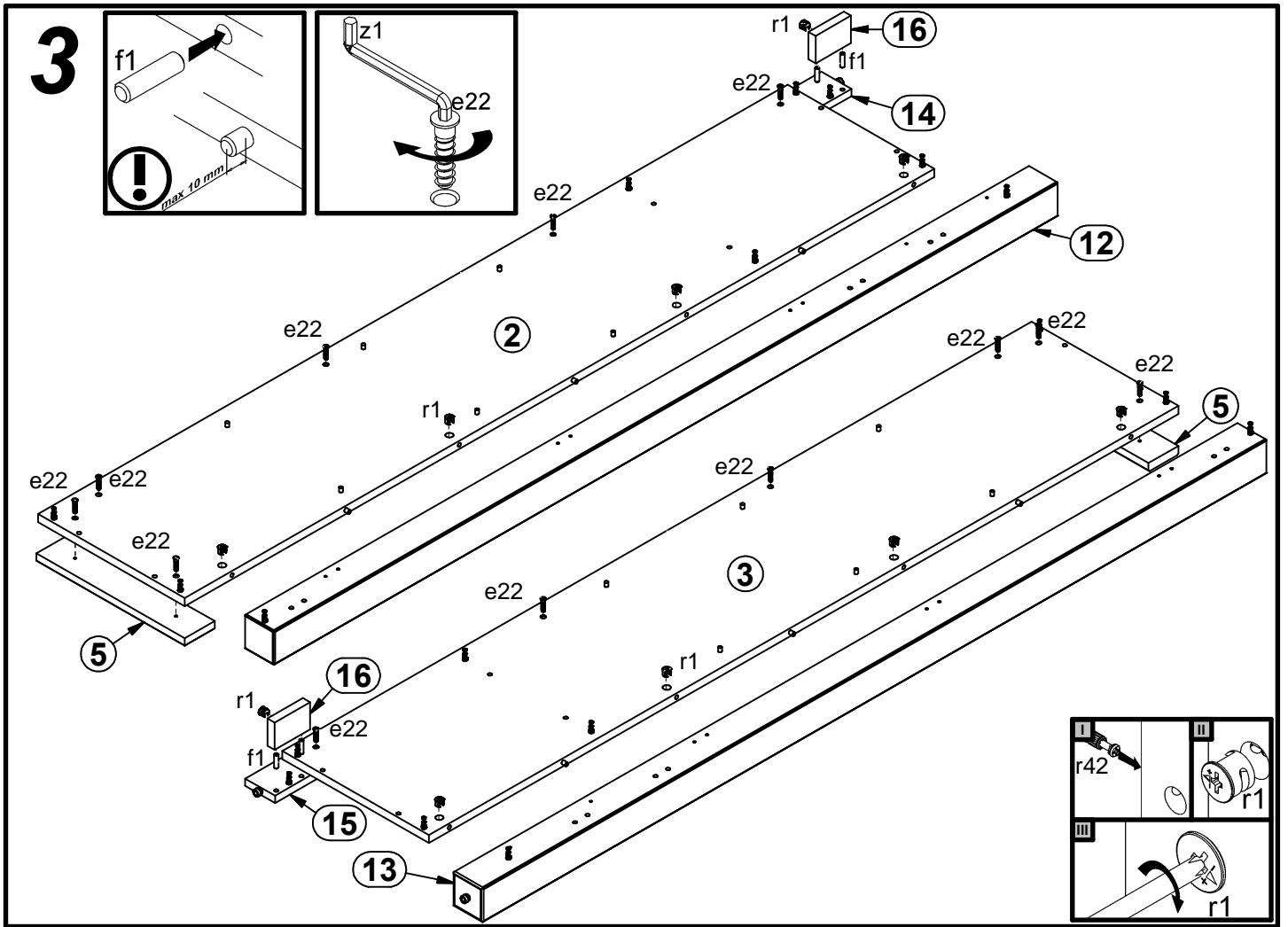
3x  a61	3x  b20	12x  d3 φ8x17 mm	8x  e19 φ5x9 mm	12x  e22 φ7x28 mm	8x  e3 φ6x13 mm	42x  f1 φ8x30 mm	6x  f13 φ8x20 mm	8x  f25 φ6.5x40 mm
4x  k39/2 M6φ9x14 mm	4x  k39/3 M6φ22mm	60x  l1	6x  p44 φ3.5x9.5 mm	29x  r1 φ1.5x12mm #16	8x  r15 φ1.2x10.5mm #12	37x  r42	2x  w5/CL 400 mm	2x  w5/CR 400 mm
2x  w5/DL 400 mm	2x  w5/DR 400 mm	10x  s1	10x  s2 ø16	1x  z1	1x  n26/1	1x  p38 φ3.5x16 mm		

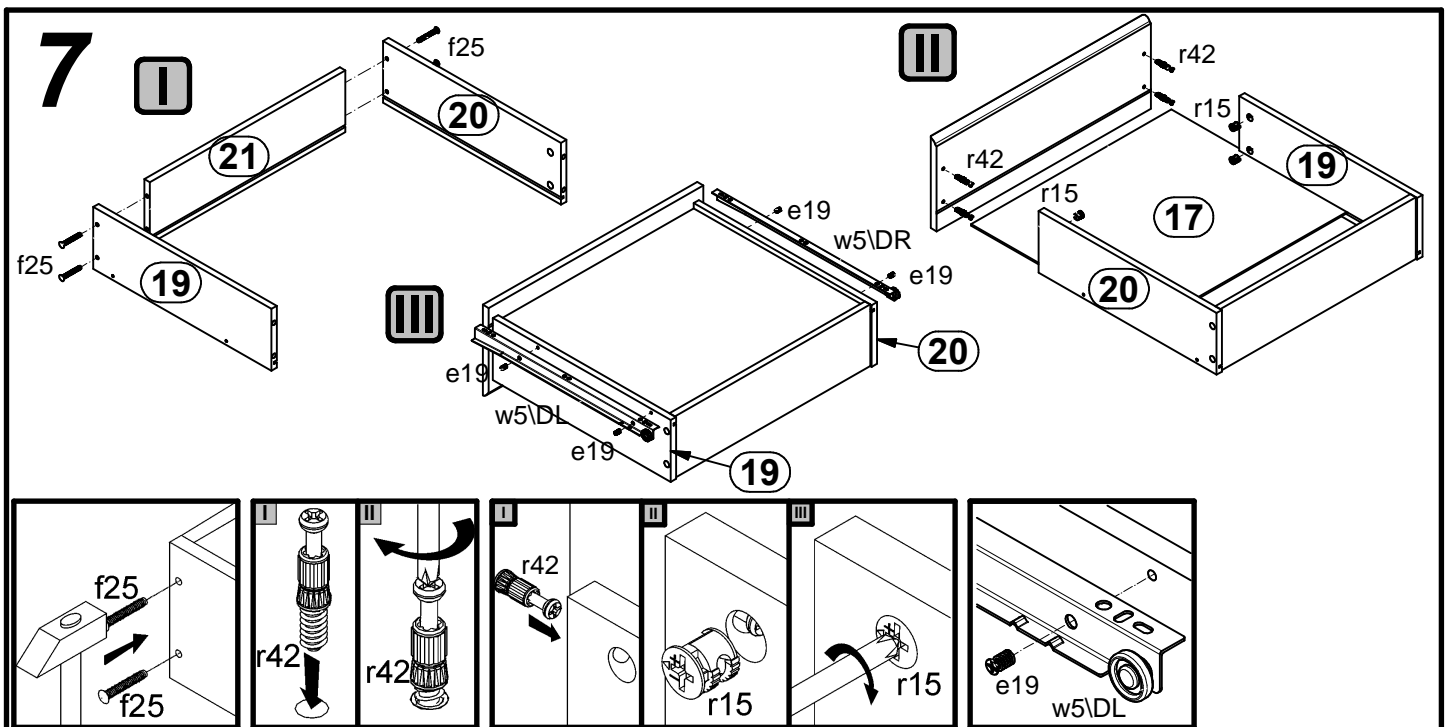
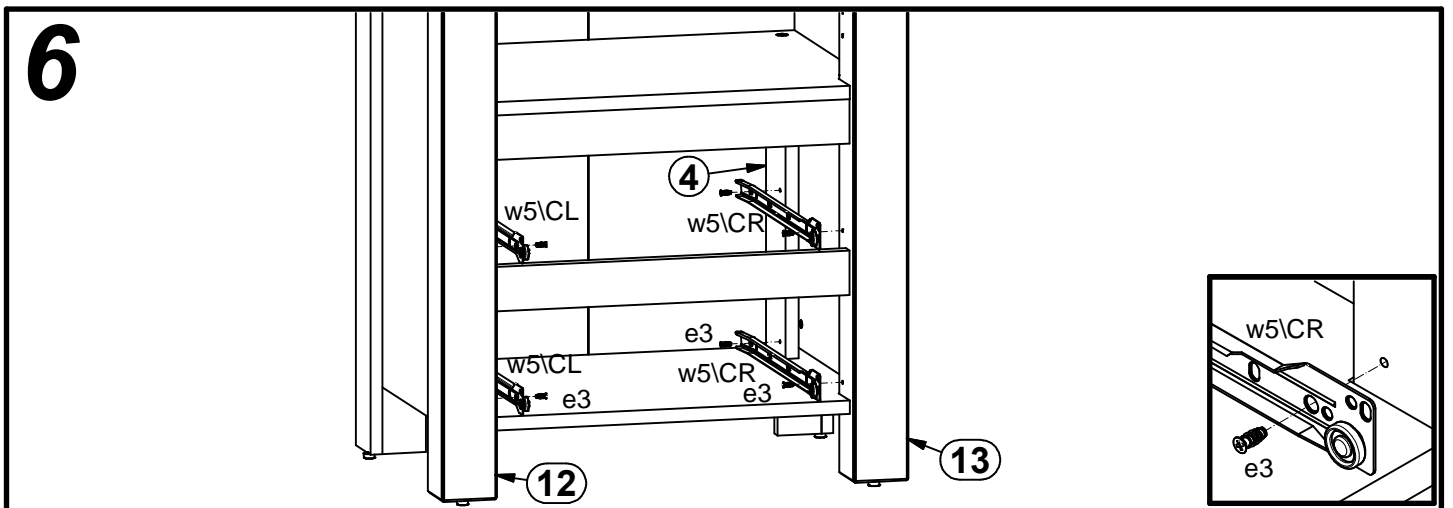
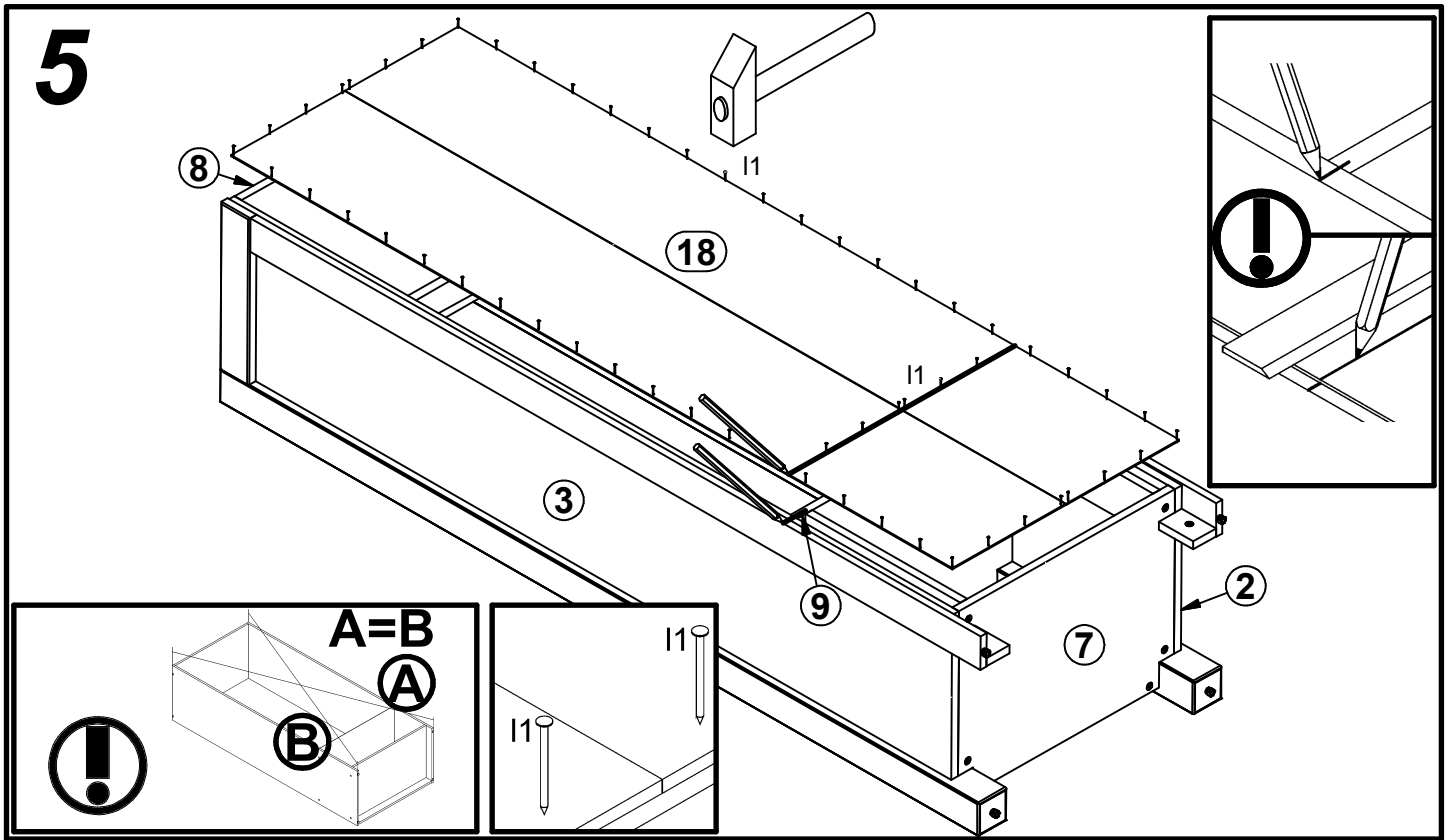
# 1



# 2



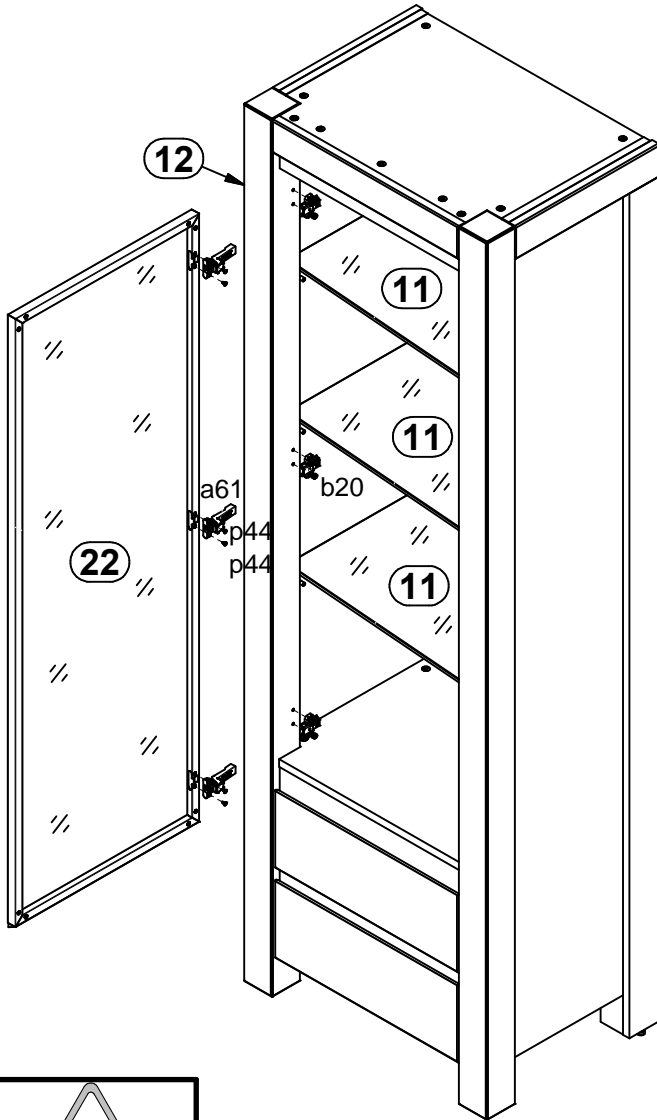




8



# S83-REG1W2SL



# S83-REG1W2SP

