

| A  | B        | C    | D   |     |
|----|----------|------|-----|-----|
| 1  | S83-013  | 484  | 176 | 5/6 |
| 2  | S83-136  | 1900 | 372 | 1/6 |
| 3  | S83-137  | 1900 | 372 | 1/6 |
| 4  | S83-138  | 406  | 100 | 2/6 |
| 5  | S83-1575 | 376  | 76  | 4/6 |
| 6  | S83-1576 | 488  | 76  | 4/6 |
| 7  | S83-311  | 566  | 429 | 2/6 |
| 8  | S83-318  | 566  | 429 | 2/6 |
| 9  | S83-319  | 566  | 429 | 2/6 |
| 10 | S83-405  | 488  | 60  | 2/6 |
| 11 | S83-551  | 564  | 370 | 3/6 |
| 12 | S83-571  | 1990 | 76  | 4/6 |
| 13 | S83-572  | 1990 | 76  | 4/6 |
| 14 | S83-573  | 1914 | 76  | 4/6 |
| 15 | S83-574  | 1914 | 76  | 4/6 |
| 16 | S83-575  | 90   | 60  | 4/6 |
| 17 | S83-910  | 450  | 398 | 2/6 |
| 18 | S83-919  | 1890 | 595 | 1/6 |
| 19 | ZS1-517  | 400  | 120 | 2/6 |
| 20 | ZS1-518  | 400  | 120 | 2/6 |
| 21 | ZS1-6530 | 439  | 120 | 2/6 |



**S83-REG1W2SL**  
**S177-REG1W2SL**



**S83-REG1W2SP**  
**S177-REG1W2SP**

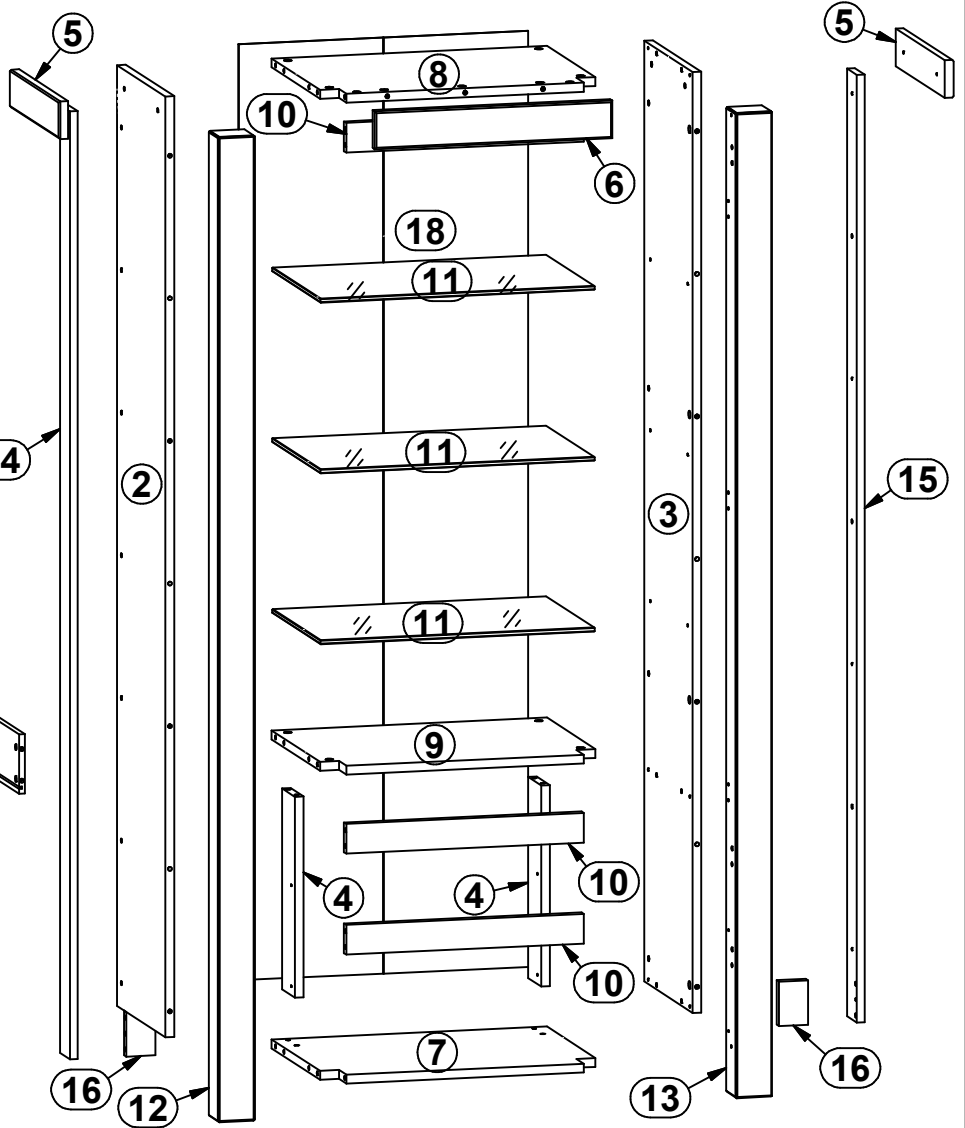
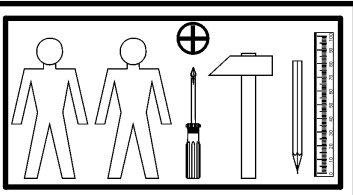
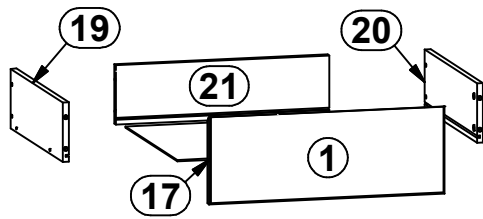


**S83-REG1W2SL**  
**S177-REG1W2SL**

| A  | B       | C    | D   |     |
|----|---------|------|-----|-----|
| 22 | S83-053 | 1388 | 482 | 6/6 |

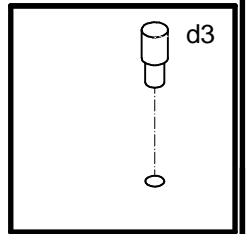
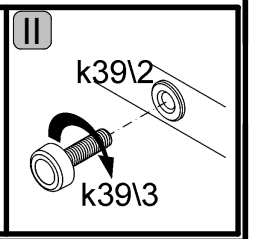
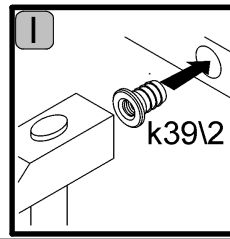
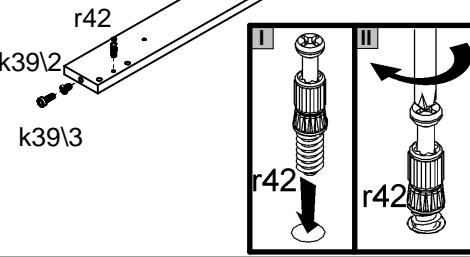
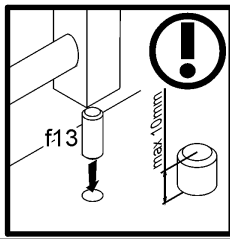
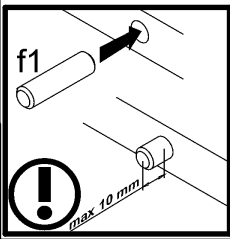
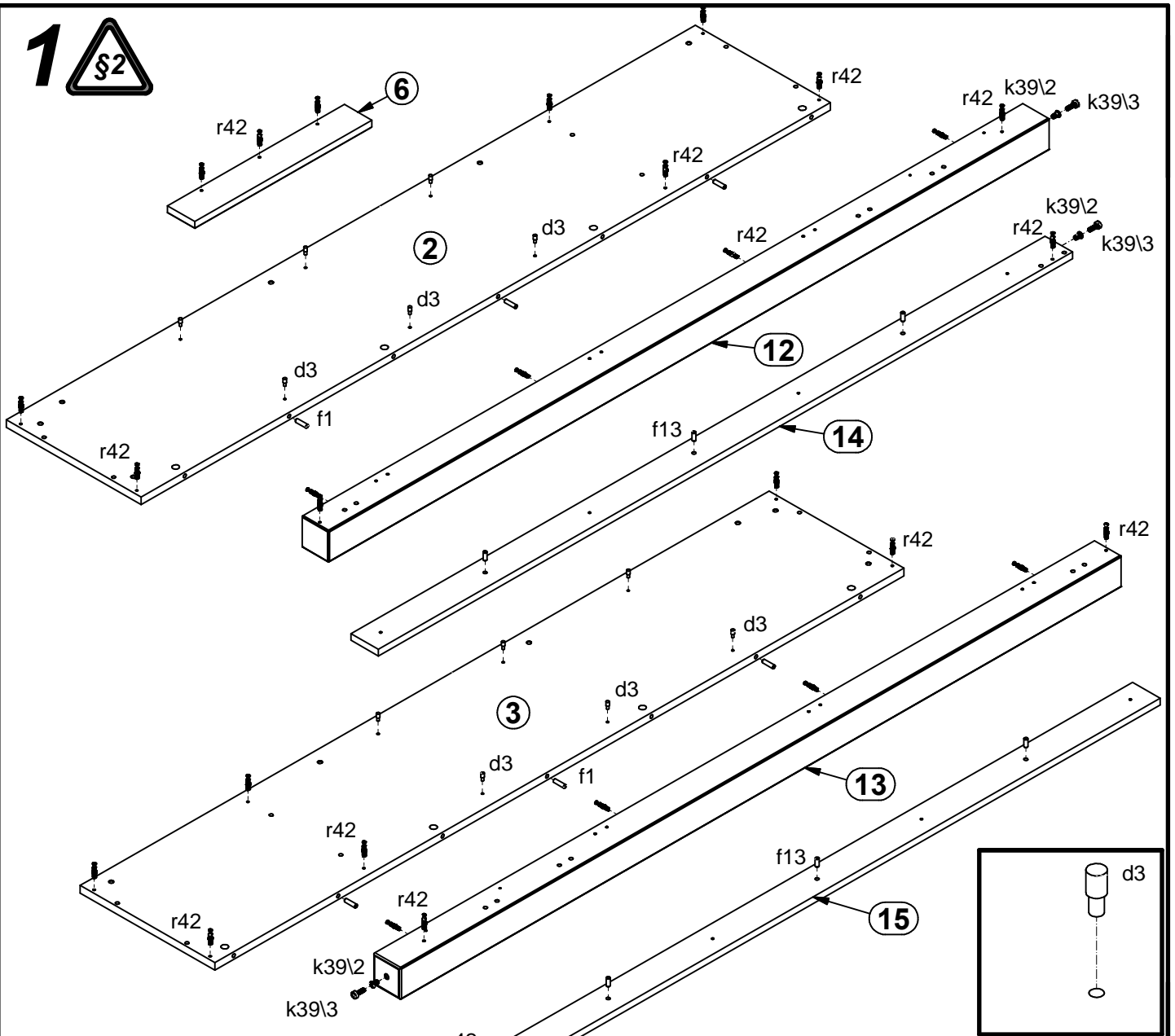
**S83-REG1W2SP**  
**S177-REG1W2SP**

| A  | B       | C    | D   |     |
|----|---------|------|-----|-----|
| 23 | S83-054 | 1388 | 482 | 6/6 |

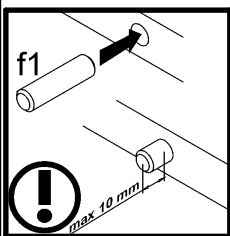
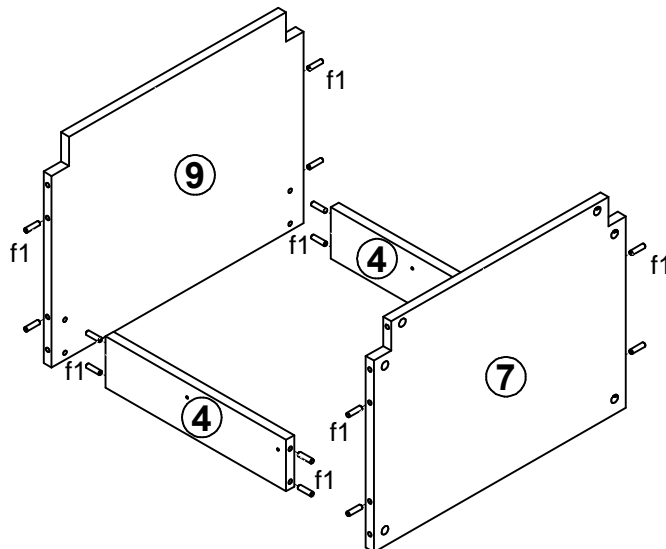


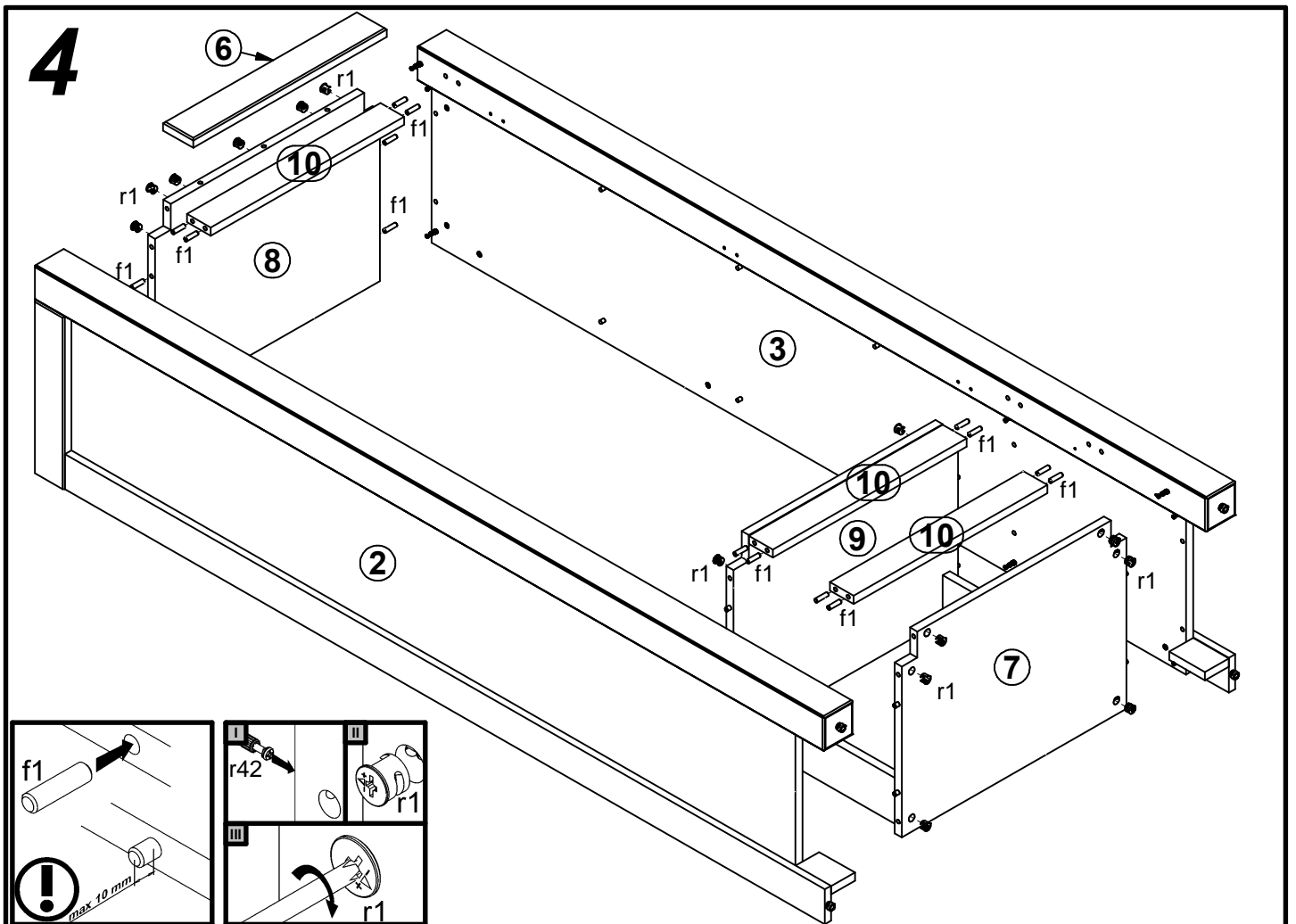
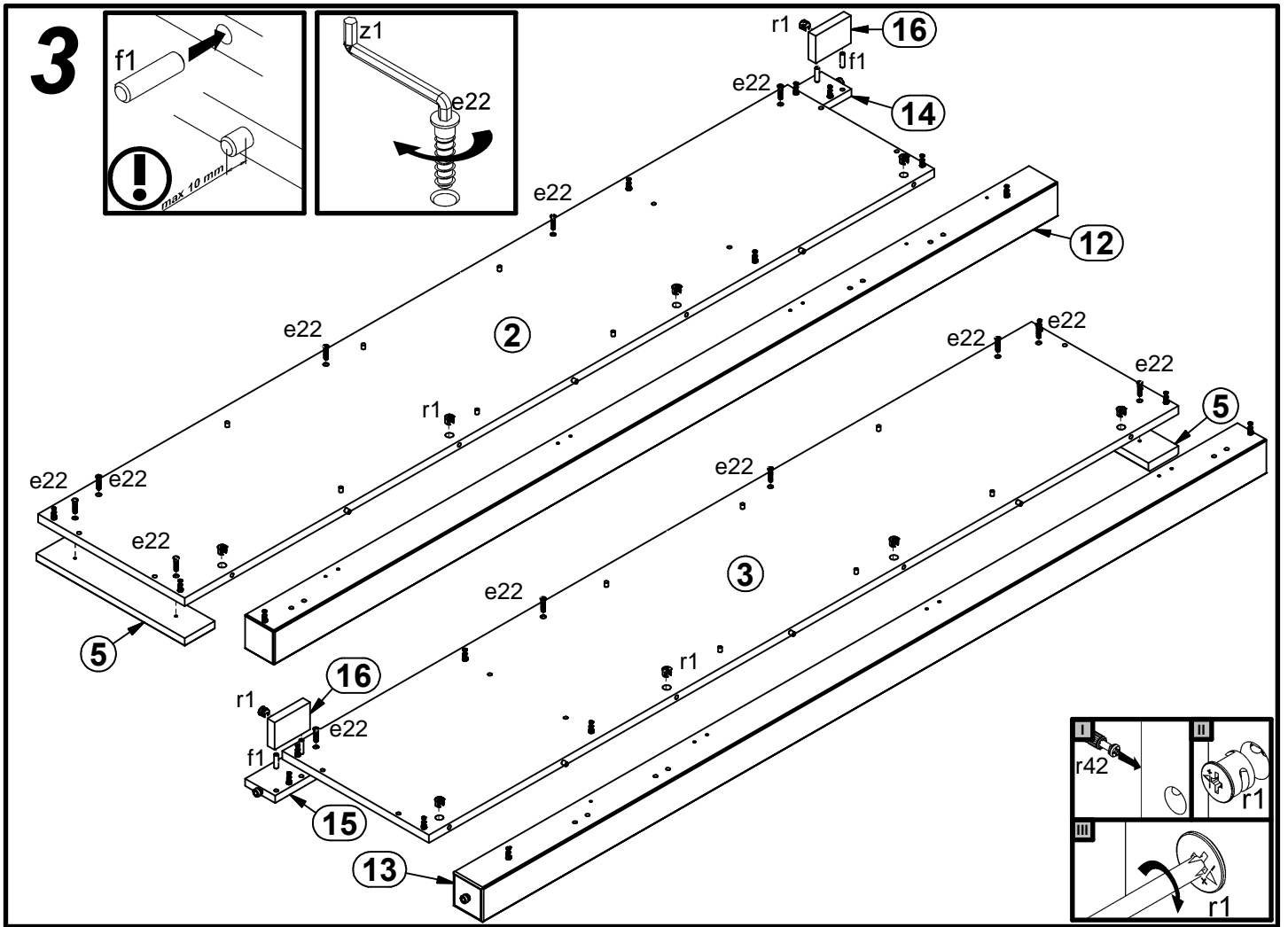
|                         |                      |                     |                        |                          |                            |                       |                     |                       |
|-------------------------|----------------------|---------------------|------------------------|--------------------------|----------------------------|-----------------------|---------------------|-----------------------|
| 3x  a61                 | 3x  b20              | 12x  d3<br>φ8x17 mm | 8x  e19<br>φ5x9 mm     | 12x  e22<br>φ7x28 mm     | 8x  e3<br>φ6x13 mm         | 42x  f1<br>φ8x30 mm   | 6x  f13<br>φ8x20 mm | 8x  f25<br>φ6.5x40 mm |
| 4x  k39/2<br>M6φ9x14 mm | 4x  k39/3<br>M6φ22mm | 60x  l1             | 6x  p44<br>φ3.5x9.5 mm | 29x  r1<br>φ1.5x12mm #16 | 8x  r15<br>φ1.2x10.5mm #12 | 37x  r42              | 2x  w5/CL<br>400 mm | 2x  w5/CR<br>400 mm   |
| 2x  w5/DL<br>400 mm     | 2x  w5/DR<br>400 mm  | 10x  s1             | 10x  s2<br>ø16         | 1x  z1                   | 1x  n26/1                  | 1x  p38<br>φ3.5x16 mm |                     |                       |

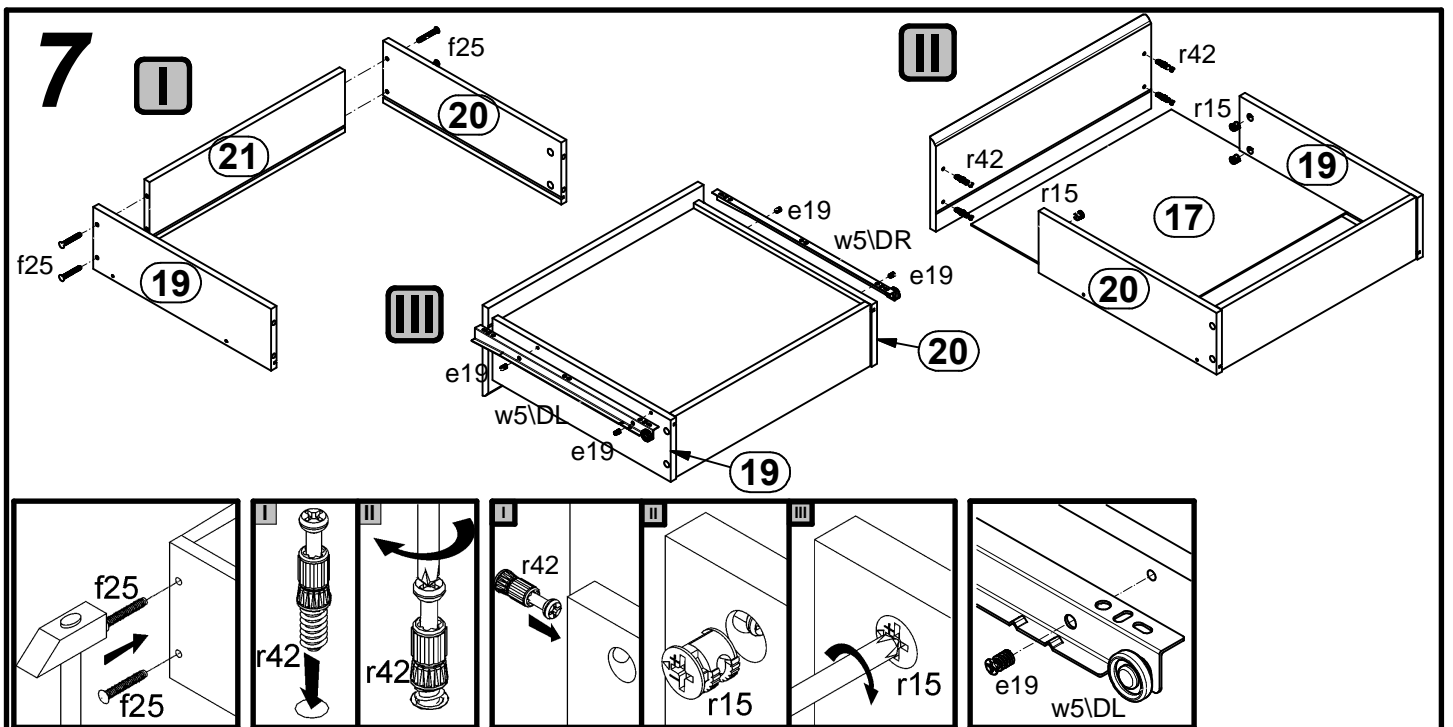
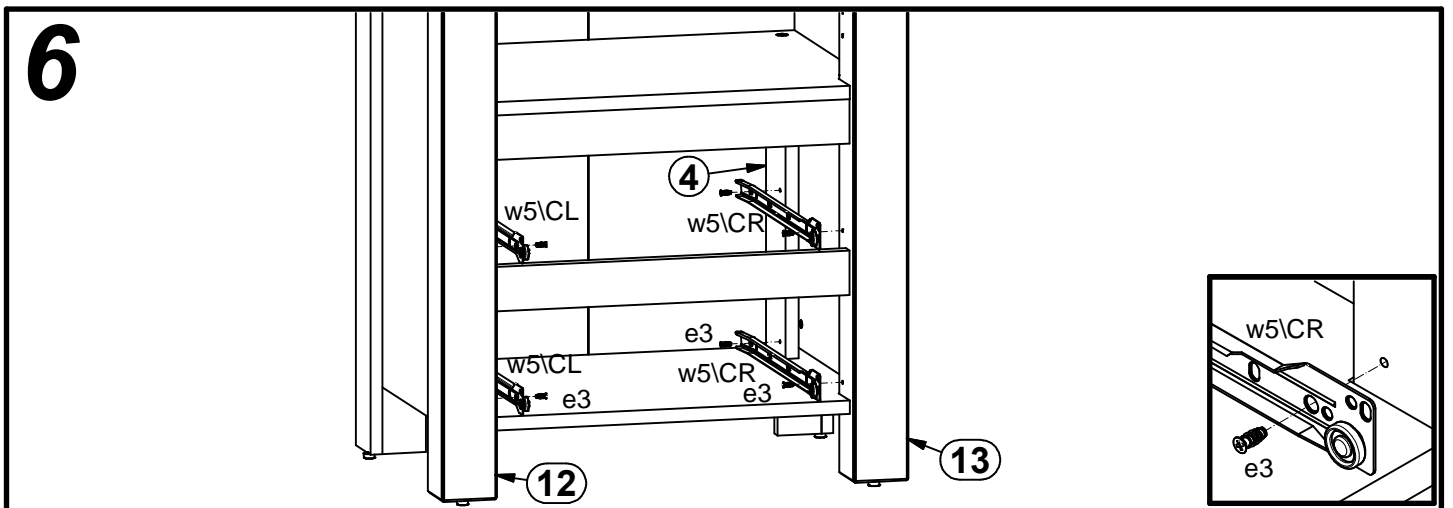
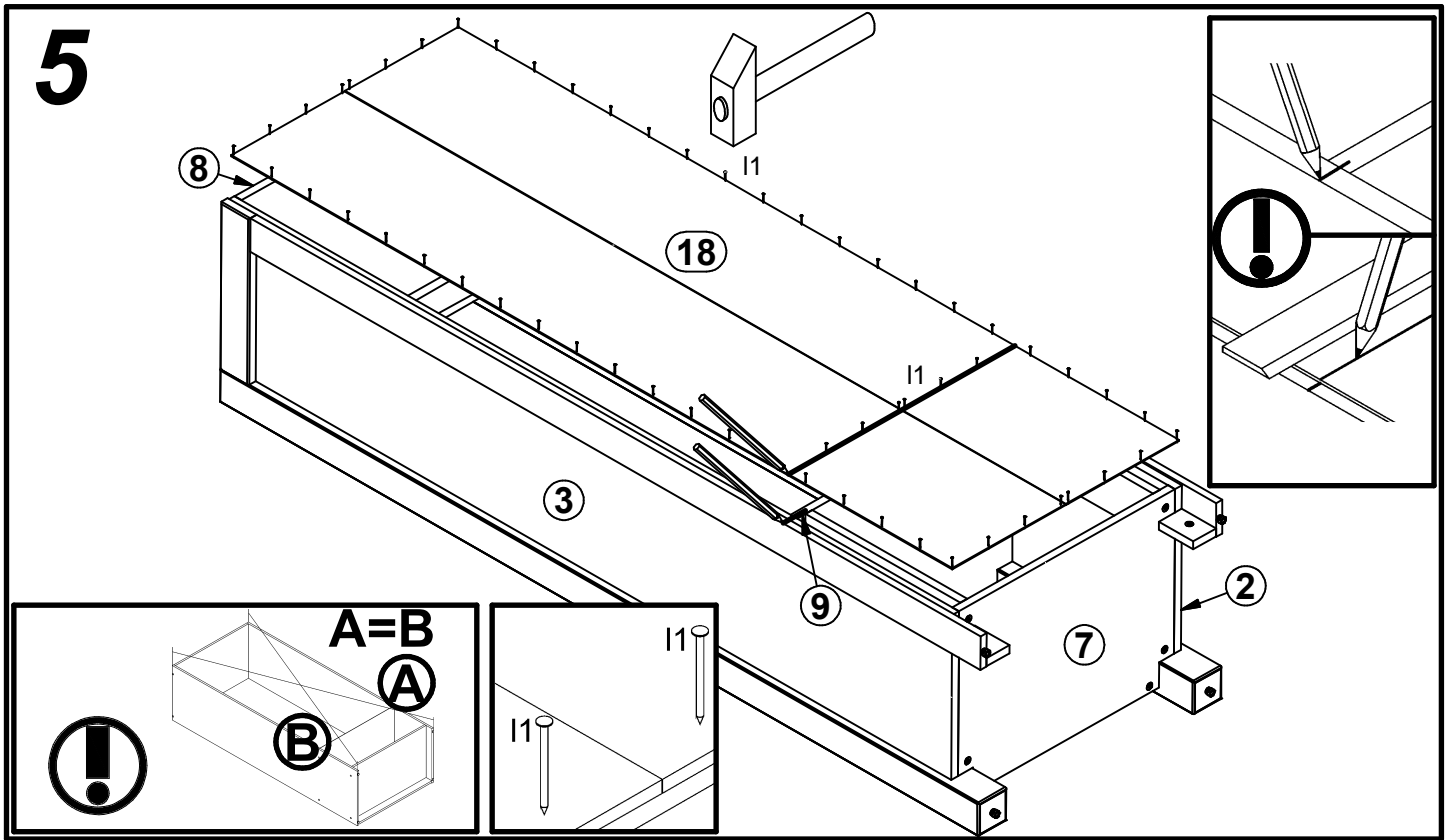
# 1



# 2







8

