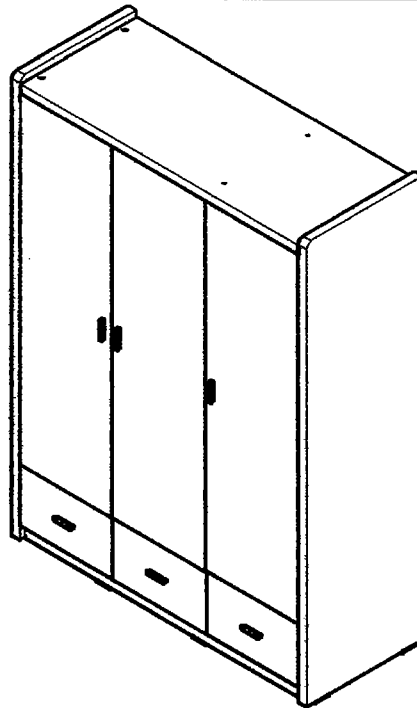


**MONTAGE AANWIJZING
NOTICE DE MONTAGE
MONTAGE ANLEITUNG
ASSEMBLY INSTRUCTIONS**

BOKL 23



Approximately 1½ Hour



2 People Required

ALGEMENE INSTRUCTIES : 1. BESTUDEER AANDACHTIG DE MONTAGETEKENING ALVORENS MET DE MONTAGE TE BEGINNEN. 2. NEEM DE STUKKEN VOORZICHTIG UIT DE VERPAKKING, SCHIK EN IDENTIFICEER ZE. 3. LEG HET VERPAKKINGSMATERIAAL OP DE GROND ALS WERKVLAK. 4. VOLG ELKE MONTAGESTAP ZOALS BIJ DE MONTAGETEKENING AANGEGEVEN. 5. BEGIN MET DE MONTAGE, WEES VOORZICHTIG EN FORCEER NIETS, DRAAI ALLE VIJZEN NOG EENS GOED DICHT NA INGEBRUIKNAME. 6. BEWAAR DEZE FOLDER, HIJ KAN U VAN DIENST ZIJN BIJ AANVRAAG VAN EVENTUELE BESCHADIGDE ONDERDELEN.

INSTRUCTION GENERALES : 1. AVANT D'ENTAMER LE MONTAGE, IL CONVIENT D'ETUDIER ATTENTIVEMENT LES SCHEMAS. 2. DEBALLEZ PRUDEMMENT LES PIECES, RANGEZ-LES ET IDENTIFIEZ-LES, 3. NOUS VOUS CONSEILLONS DE POSER LE CARTON D'EMBALLAGE SUR LE SOL, IL PROTEGERA VOTRE MEUBLE. 4. SUIVEZ LES INSTRUCTIONS MENTIONNEES SUR LES SCHEMAS DE MONTAGE DANS L'ORDRE INDIQUE. 5. PROCEDEZ AU MONTAGE, NE JAMAIS FORCER LES ASSEMBLAGES. 6. GARDEZ VOTRE NOTICE, SI UNE PIECE VENAIT A MANQUER, ELLE SERA LE SEUL MOYEN DE LA RETROUVER.

AUFBAUANLEITUNG BITTE BEI DER MONTAGE GENAU BEACHTEN : 1. PACKEN SIE DIE EINZELTEILE SORGFALTIIG AUS, UND ORDNEN SIE DIESE. 2. DAS VERPAKKUNGSMATERIAL KANN MDEGLICHERWEISE ALS ARBEITSFLAECHEN DIENEN. 3. ARBEITEN SIE BITTE NACH DER IN DER AUFBAUANLEITUNG ANGEGBENEN REIHENFOLGE. 4. NUN KOENNEN SIE MIT DER MONTAGE BEGINNEN BEACHTEN SIE BITTE, DASS NICHTS BESCHAEDIGT WIRD. ZIEHEN SIE DIE SCHRAUBEN NACH EINIGER ZEIT DER NUTZUNG NOCH EINIGER ZEIT DER NUTZUNG NOCH EINMAL NACH. 5. BEWAHREN SIE DIE AUFBAUANLEITUNG SORGFALTIIG AUF, SIE BENOETIGEN DIESE FUR EVENTUELLE ERSATZTEILBESTELLUNGEN.

GENERAL INSTRUCTIONS : 1. STUDY THOROUGHLY THE SKETCHES BEFORE STARTING THE ASSEMBLY. 2. CAREFULLY UNPACK THE PIECES, SORT THEM OUT AND IDENTIFY THEM. 3. WE ADVISE YOU TO PUT THE PACKING ON THE GROUND AS PROTECTION. 4. FOLLOW EACH STEP AS INDICATED ON THE SKETCHES. 5. START ASSEMBLING, BE CAREFUL AND DO NOT FORCE ANYTHING, RETIGHTEN ALL SCREWS AFTER USE. 6. KEEP THIS ASSEMBLY INSTRUCTION, IT CAN HELP YOU TO IDENTIFY PIECES WHEN ORDERING SPARE PARTS.

REGELMATIG REINIGEN MET EEN VOCHTIG DOEK, GEEN OPLOSMIDDELEN OF VERDUNNINGSMIDDELEN GEBRUIKEN.

REGULARLY CLEANING WITH A DRY CLOTH. DO NOT USE WATER, SOLVENT OR THINNERS.

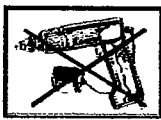
ENTRETIEN COURANT AVEC UN CHIFFON, NE PAS UTILISER DE L'EAU. SOLVANTS OU DILUANTS

GLEICHEBENMAESSIG REINIGEN MIT FEUCHTEM TUCH. KEIN LOESSEMITTEL ODER VERDUENNUNG GEBRAUCHEN.

Tools Required For Assembly



Rubber Hammer

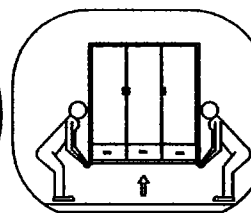
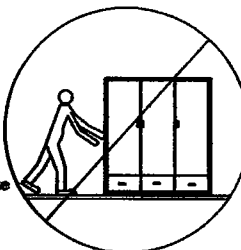


DO NOT USE POWER TOOLS TO ASSEMBLE THIS PRODUCT. USE OF POWER TOOLS WILL INVALIDATE ANY CLAIM AND MAY DAMAGE THIS PRODUCT MAKING IT UNSAFE.



Philips Screw Driver

Notwendiger Hinweis:
Important information
Belangrijke informatie
information importante



Die Garderobe nicht schieben, zuerst aufheben, danach positionieren.

Do not push the wardrobe, lift up to adjust the position

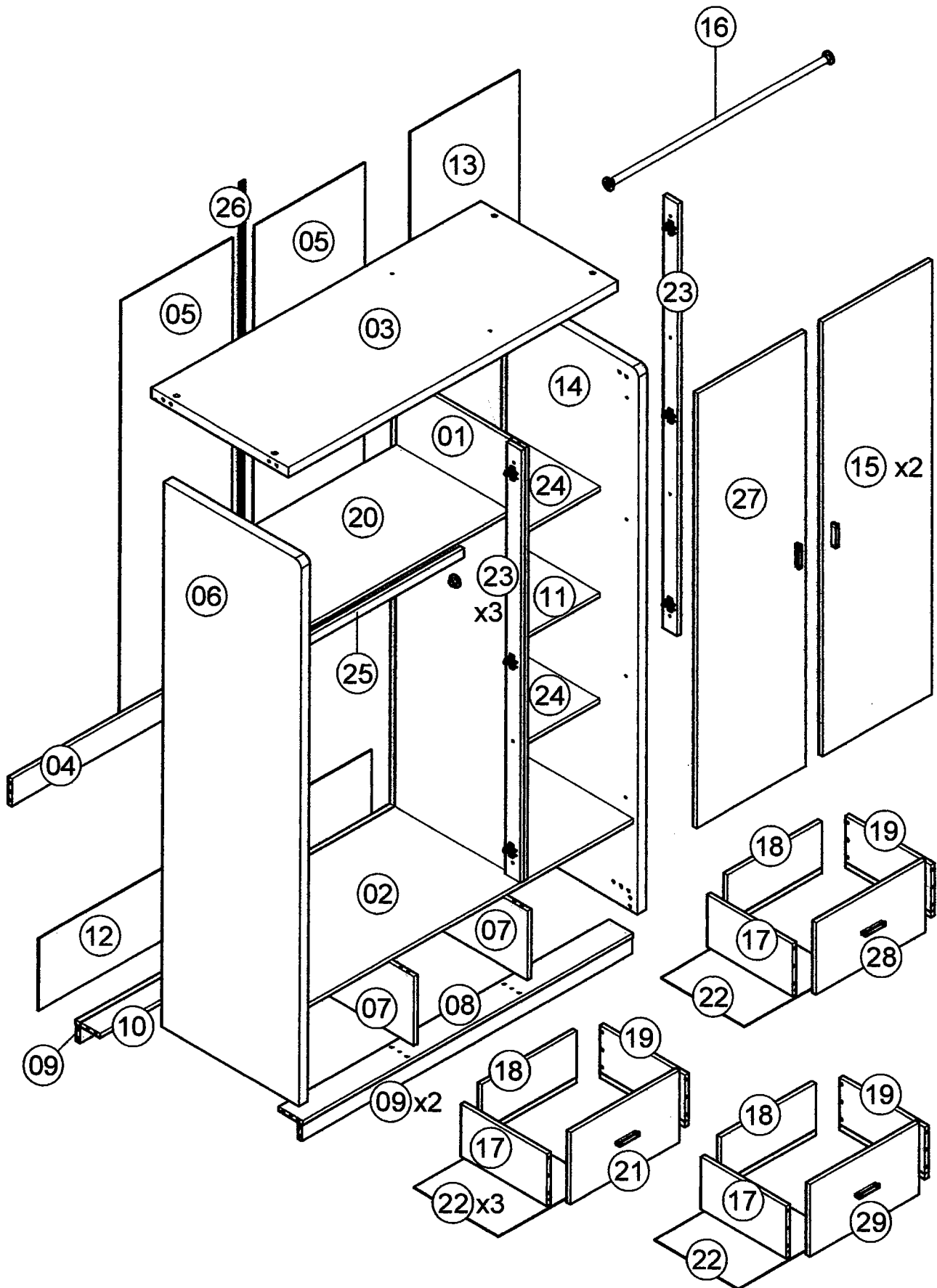
Kast niet verschuiven, eerst optillen, daarna positioneren.

Ne pas pousser la garde-robe, soulevez-la pour régler la position

BOKL 23

Carton 1 of 3			Carton 3 of 3		
No.	Part Name	Pcs	No.	Part Name	Pcs
03	Top Panel	1	21	Front Panel (Drawer)	1
05	Back Panel	2	28	Front Panel (Drawer Right)	1
06	Left End Panel	1	29	Front Panel (Drawer Center)	1
07	Center Panel Support	2			
12	Back Panel (Bottom)	1			
13	Back Panel	1			
14	Right End Panel	1			
17	Left Panel (Drawer)	3			
19	Right Panel (Drawer)	3			
22	Bottom Panel (Drawer)	3			
24	Movable Panel	2			
26	"H" Lining	1			
Fitting List					
Carton 2 of 3					
01	Center Panel	1			
02	Bottom Panel	1			
04	Support Panel Back	1			
08	Front Support Panel	1			
09	Plinth Panel	2			
10	Back Bottom Support Panel	1			
11	Support Panel	1			
15	Door	2			
16	Hanging Rail	1			
18	Back Panel (Drawer)	3			
20	Support Panel	1			
23	Support Panel Door	3			
25	Support Panel	1			
27	Door	1			


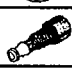







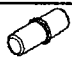






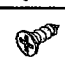
BOKL 23



BOKL 23

Carton 1 of 3

Fitting List

No.	Part Name		Pcs
A	Cam		38
B	Cam Stud		38
C	M8 x 25mm Wood Dowel		84
D	14mm Chipboard Screw		72
E	14" Drawer Slide		3Set
F	6/8 Compart Helder		2
G	Hinges Arm (VSV)		9Set
H	PVC Back Support		12
J	17043-83-64 PVC Handle		6
K	Metal Shelf Support		8
L	Door Stopper		1
M	45mm Chipboard Screw		6
N	19mm Chipboard Screw		12
P	60mm Chipboard Screw		2
Q	28mm Chipboard Screw		12
R	25mm Chipboard Screw		12
S	12mm Chipboard Screw		4

Caution

There are many small components used in the construction of this unit. These loose items should be kept away from young children whilst assembling your unit. As an extra precaution, screw cover caps should be permanently fixed in position. (Where applicable)

USEFUL HINTS & TIPS

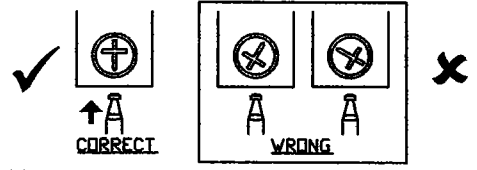
Two people will be required to assemble this unit

Please keep this assembly instruction for future reference

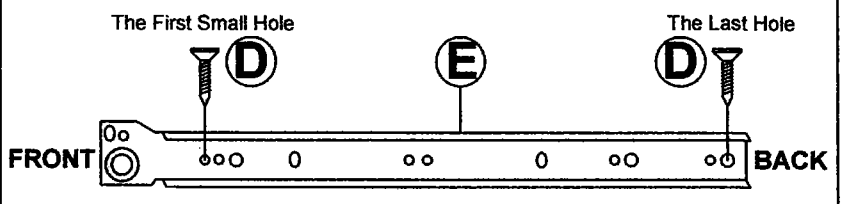
BOKL 23

WHEN FITTING CAMS

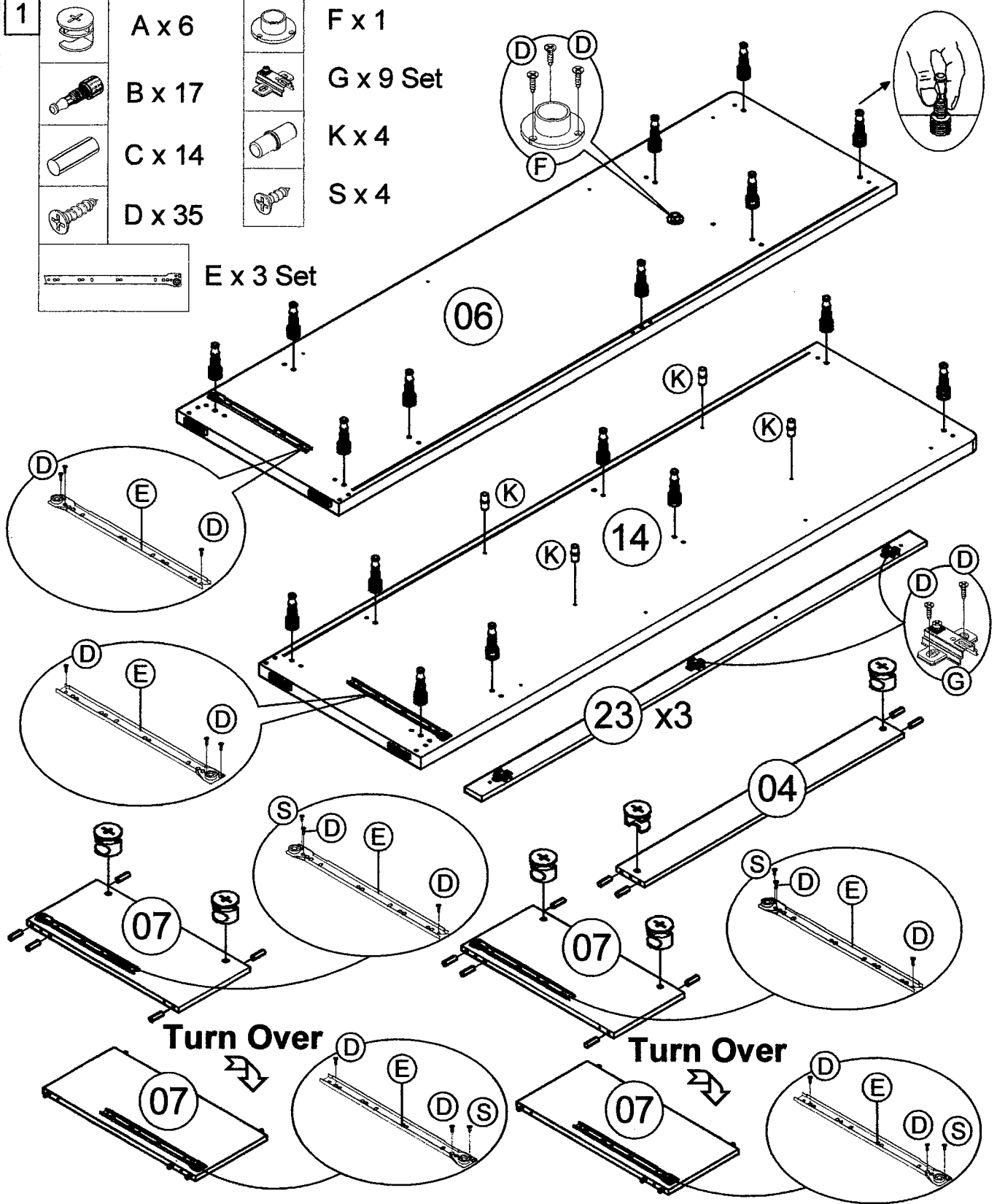
ENSURE STARTING POSITION IS CORRECT
BEFORE YOU INSERT CONNECTING BOLT
TURN CLOCKWISE UNTIL SECURE



To Assembly the Drawer Slide, Please Follow Step as Below



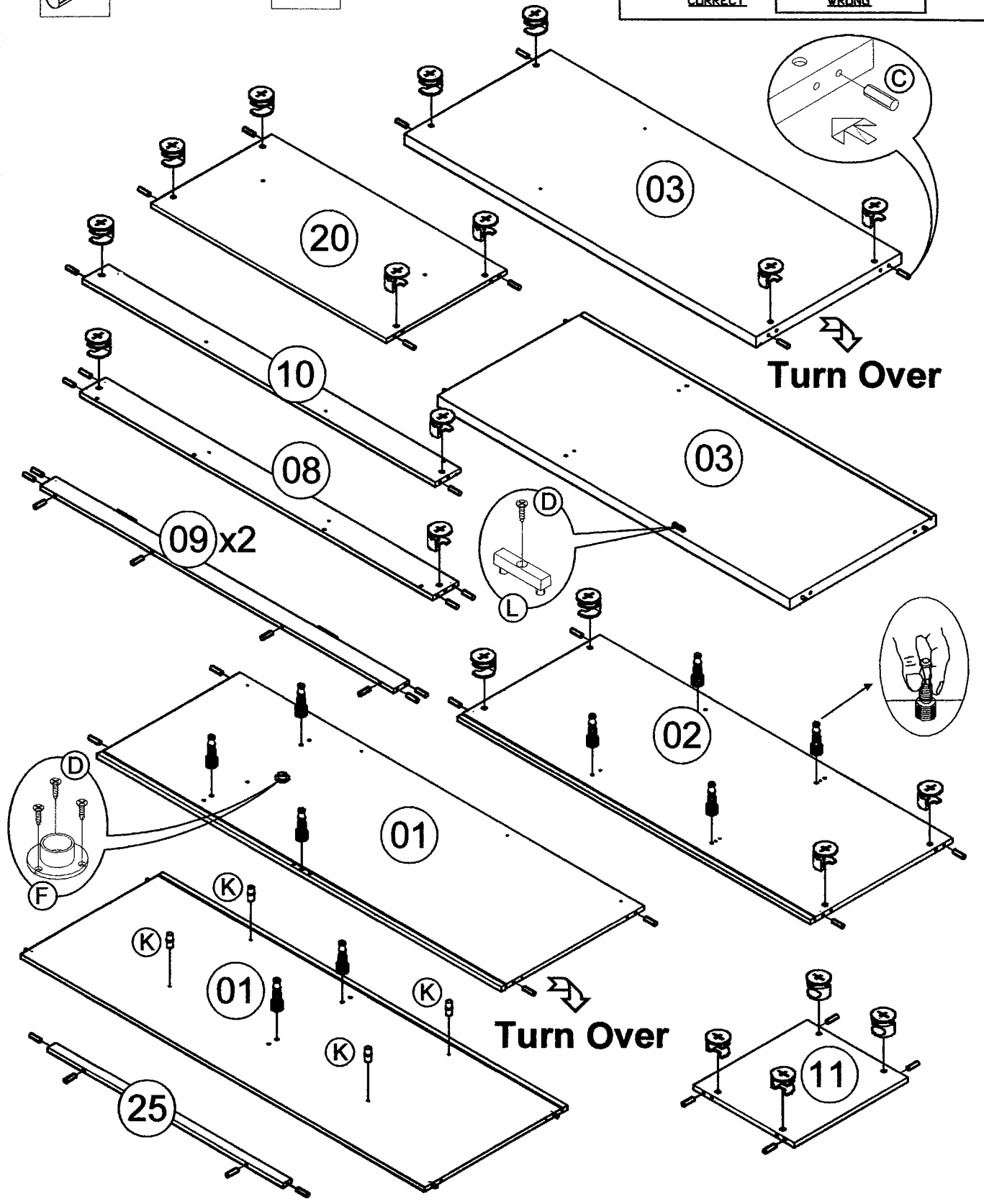
- | | | | | |
|---|--|-----------|--|-----------|
| 1 | | A x 6 | | F x 1 |
| | | B x 17 | | G x 9 Set |
| | | C x 14 | | K x 4 |
| | | D x 35 | | S x 4 |
| | | E x 3 Set | | |



BOKL 23

2		A x 20		D x 4		K x 4
		B x 9		F x 1		
		C x 46		L x 1		

WHEN FITTING CAMS
 ENSURE STARTING POSITION IS CORRECT
 BEFORE YOU INSERT CONNECTING BOLT
 TURN CLOCKWISE UNTIL SECURE

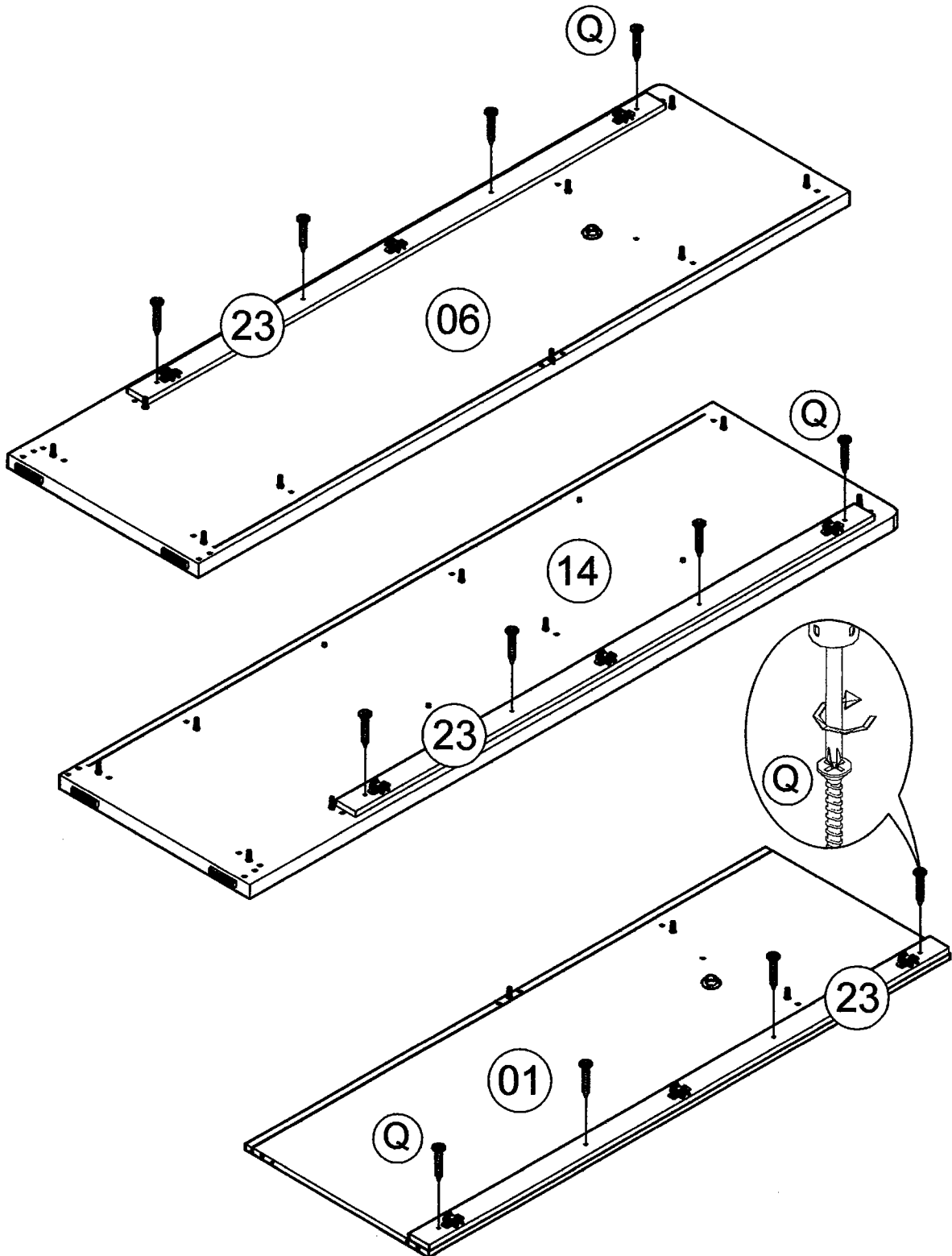


BOKL 23

3

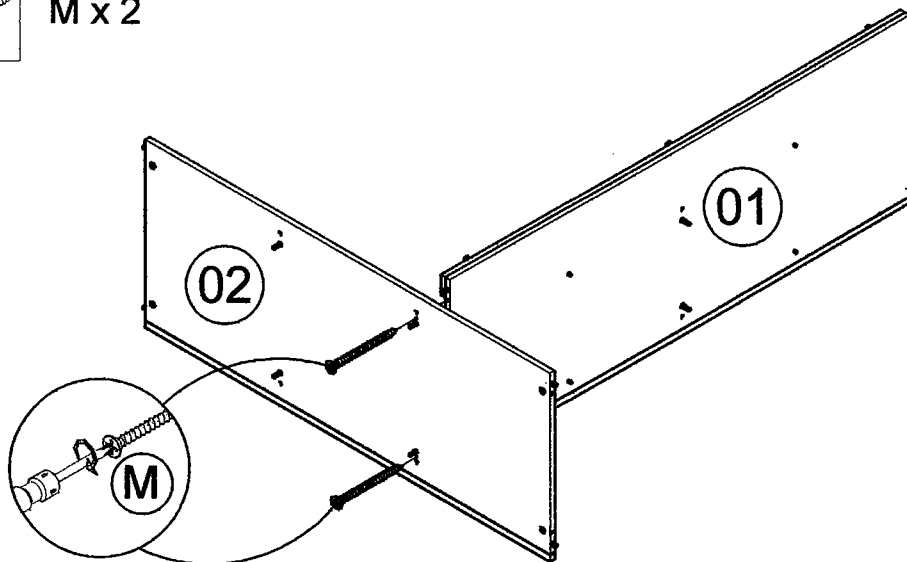



Q x 12

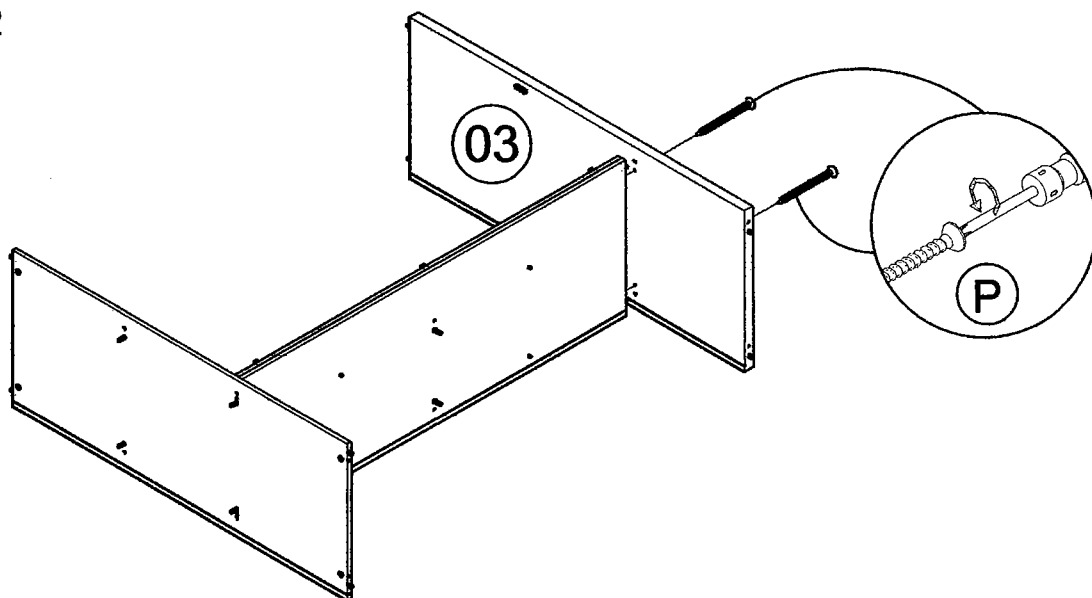


BOKL 23

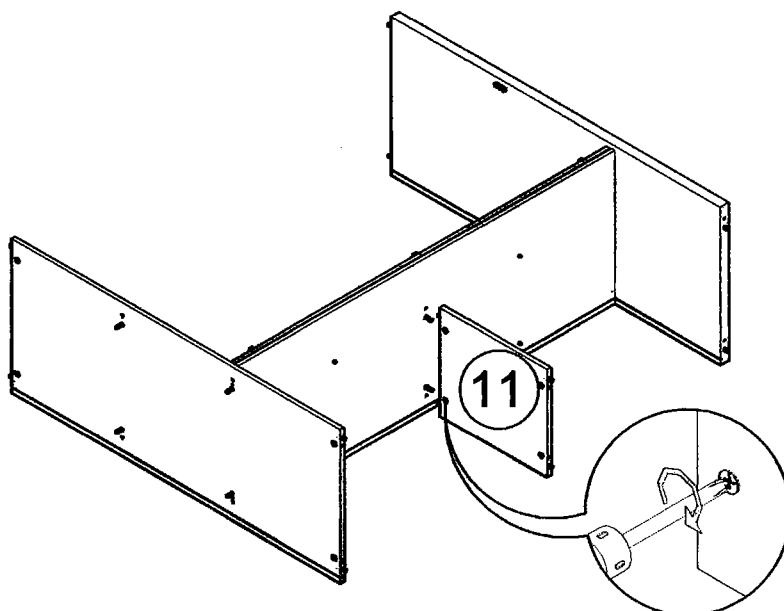
4  M x 2



5  P x 2

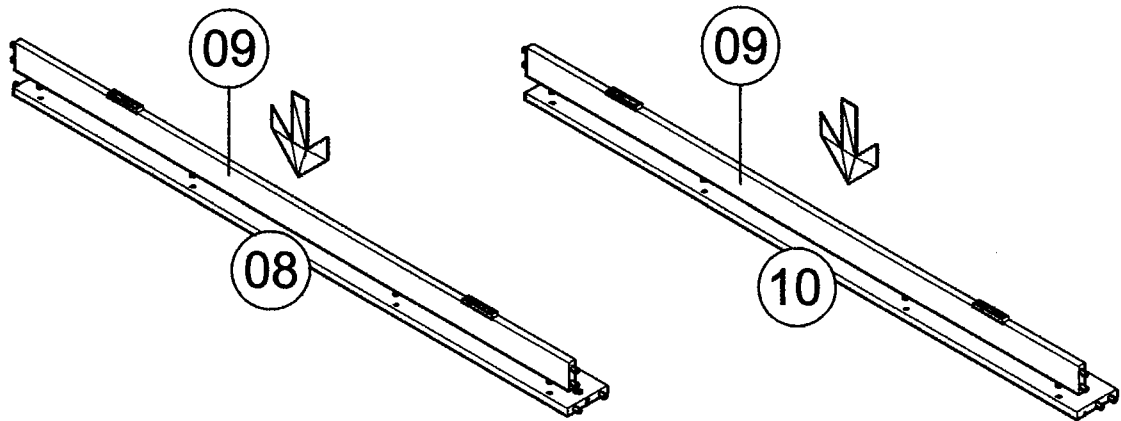


6

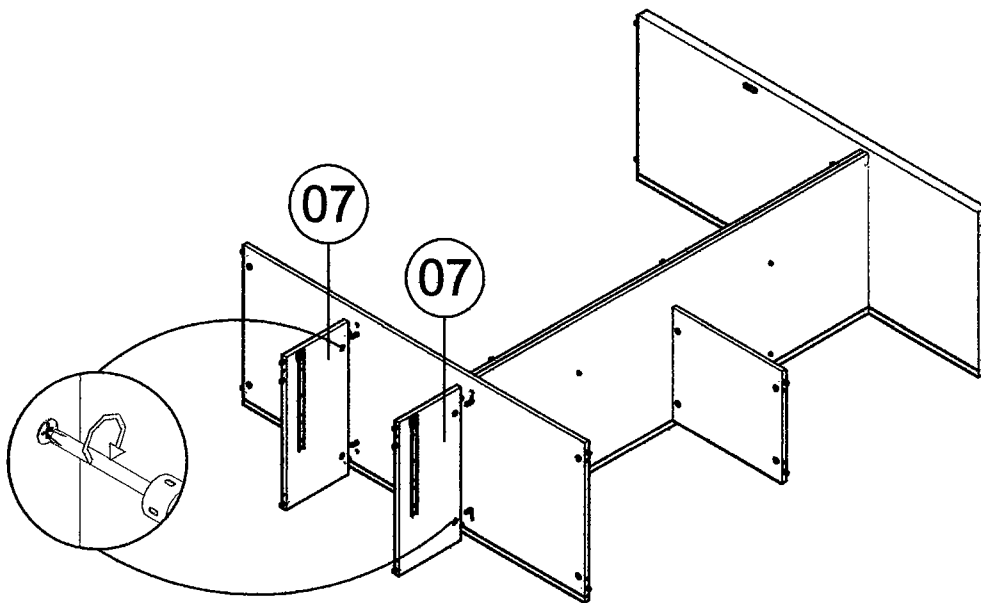


BOKL 23

7



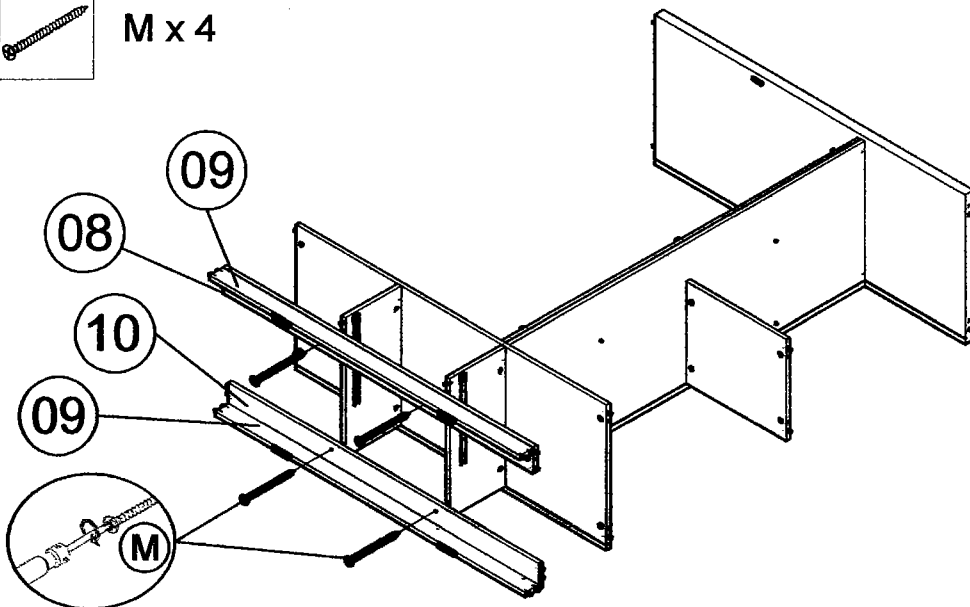
8



9

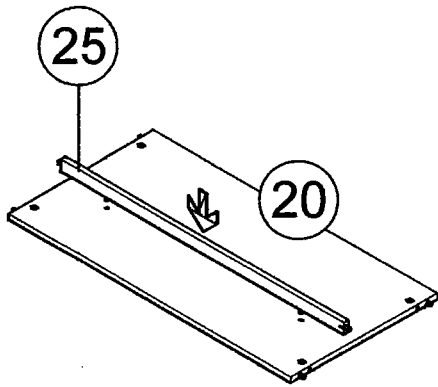


M x 4

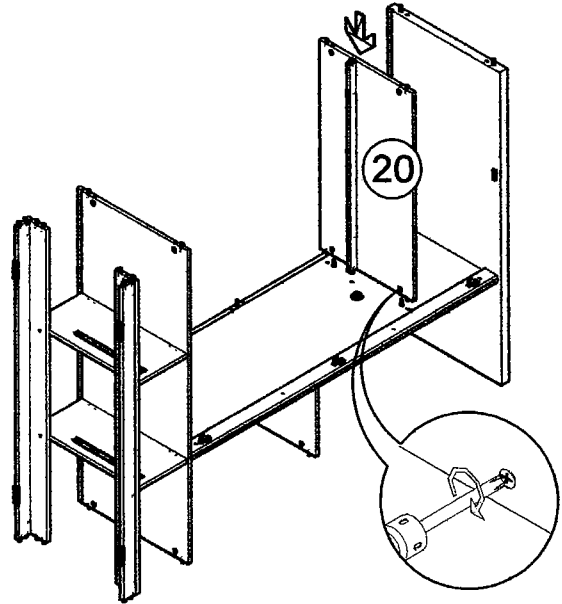


BOKL 23

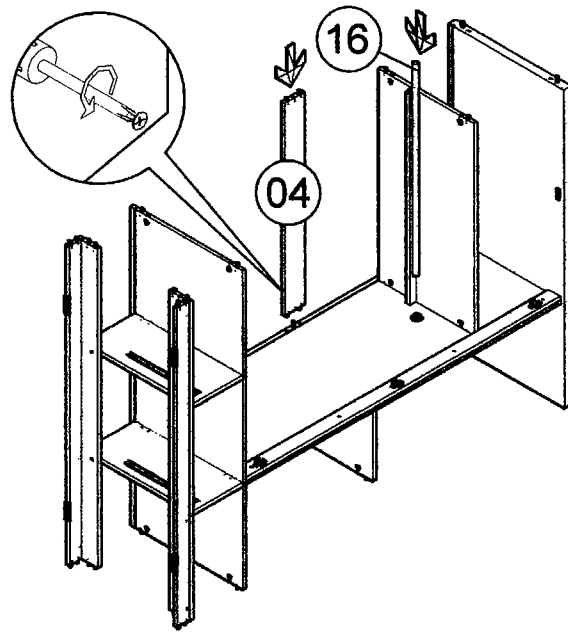
10



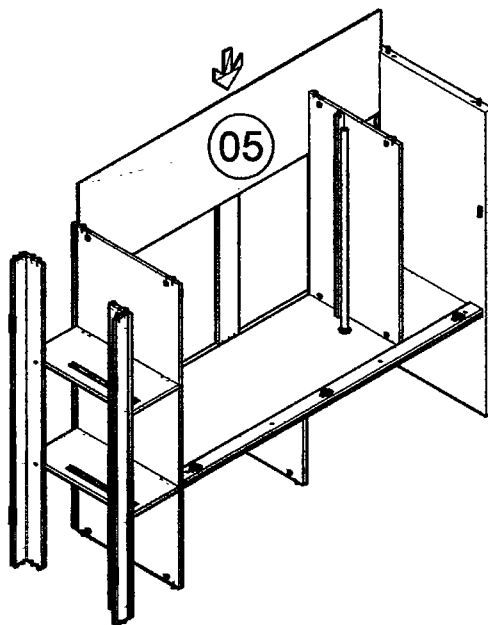
11



12

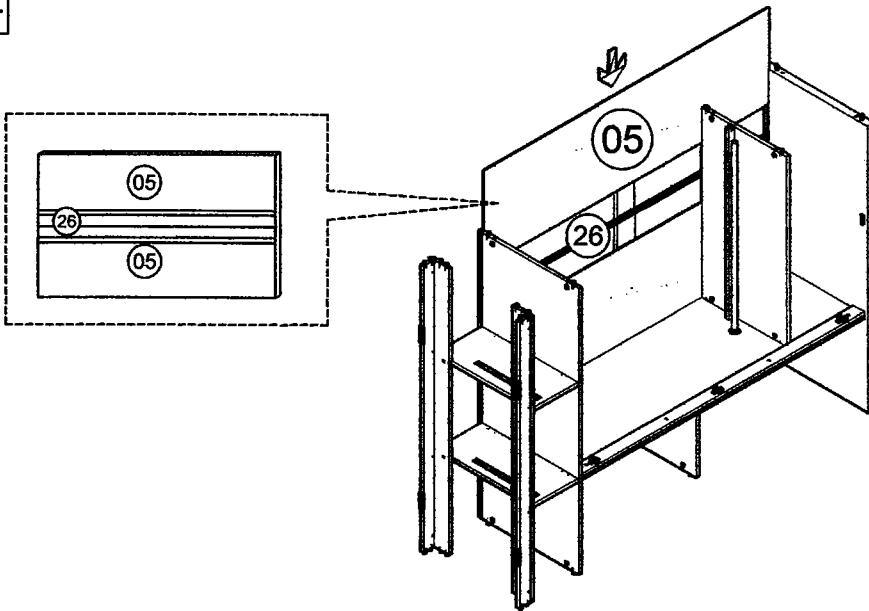


13

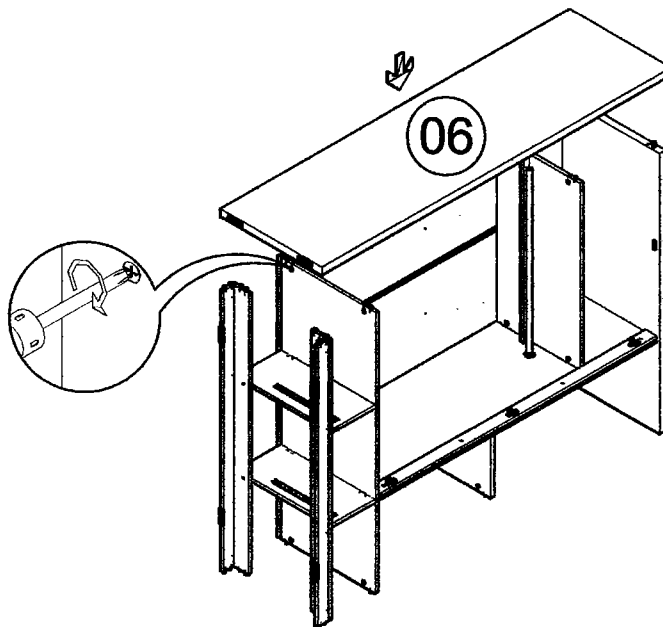


BOKL 23

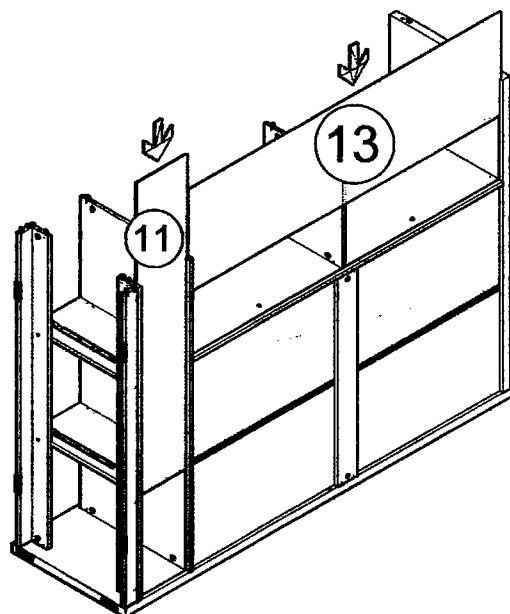
14



15

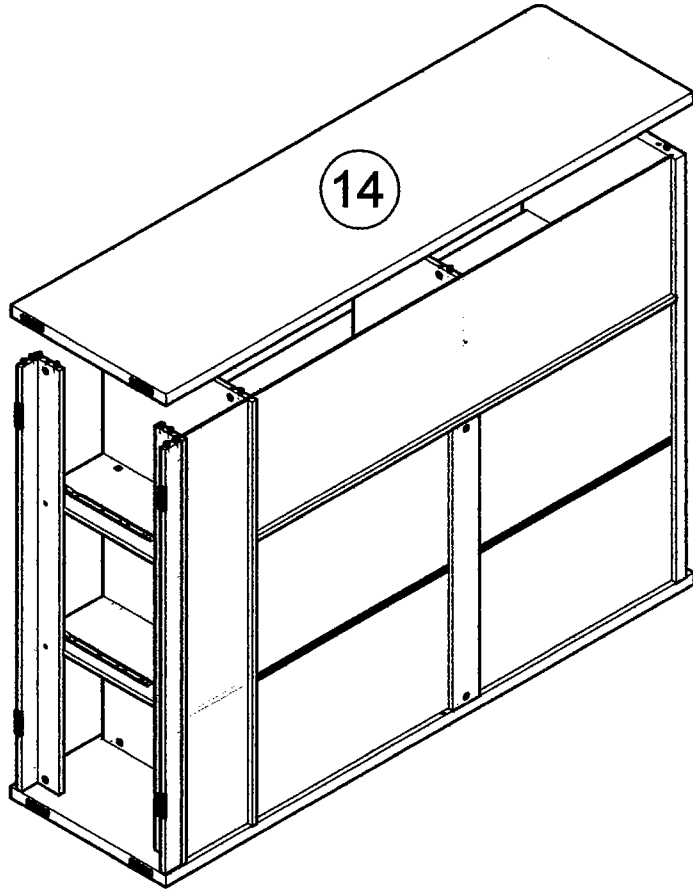


16

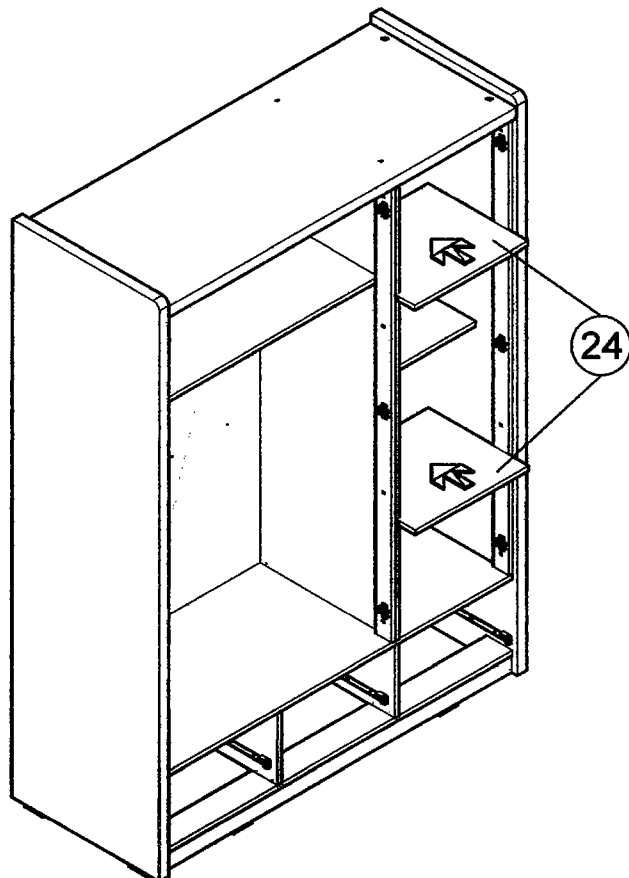


BOKL 23

17



18



BOHS 80

19



A x 12



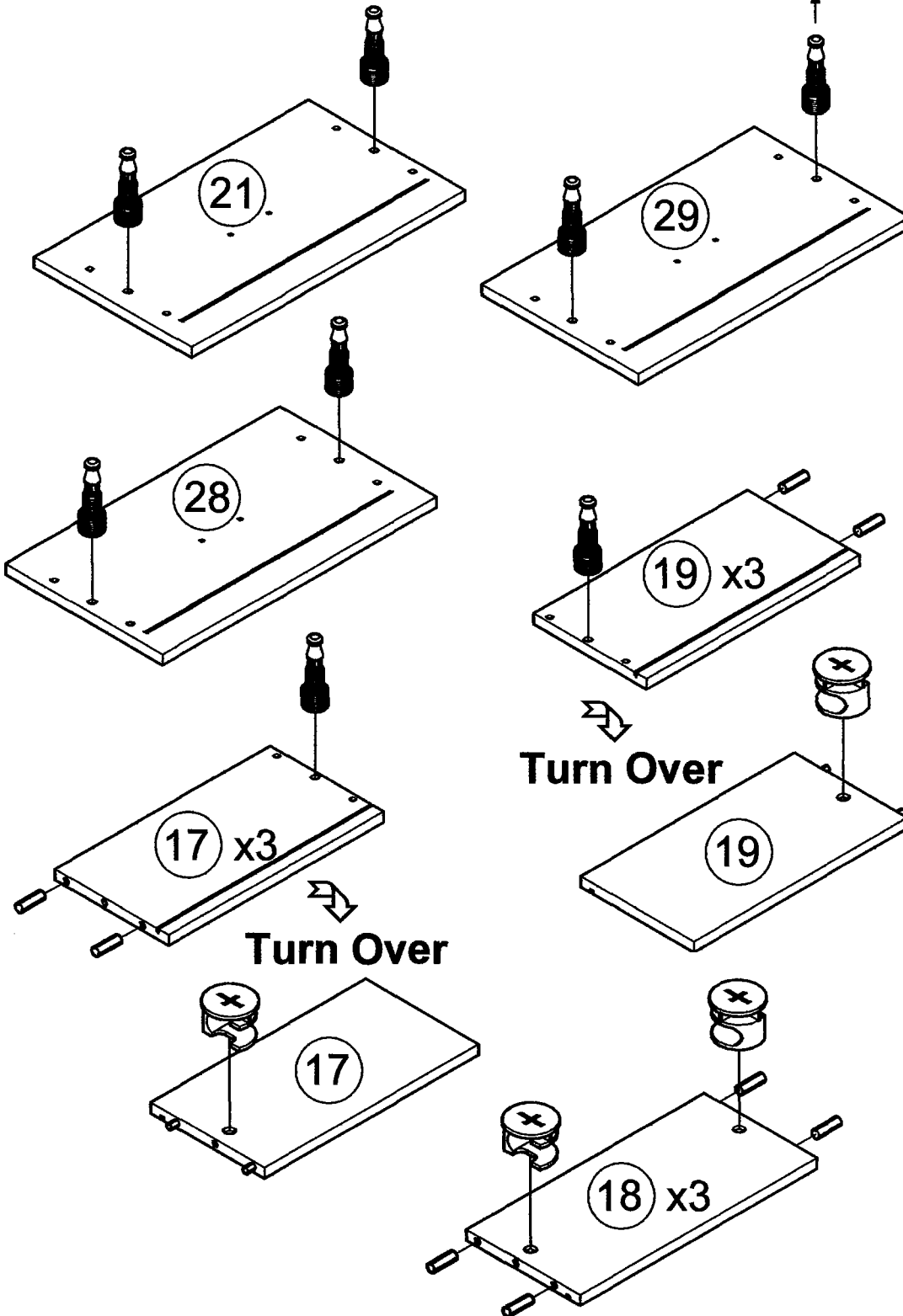
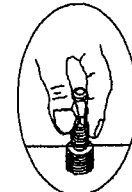
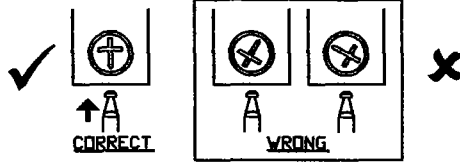
B x 12



C x 24

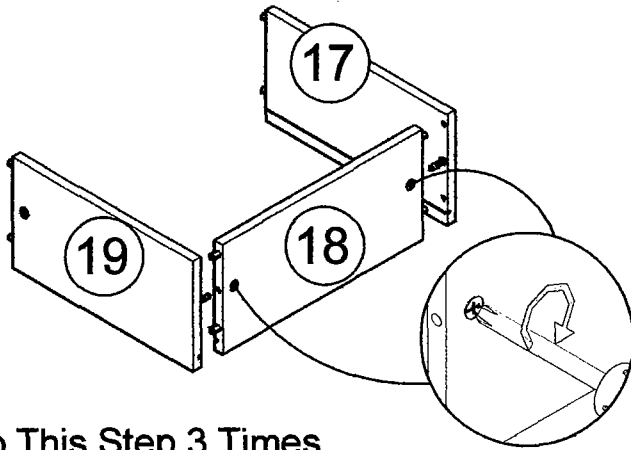
WHEN FITTING CAMS

ENSURE STARTING POSITION IS CORRECT
BEFORE YOU INSERT CONNECTING BOLT
TURN CLOCKWISE UNTIL SECURE



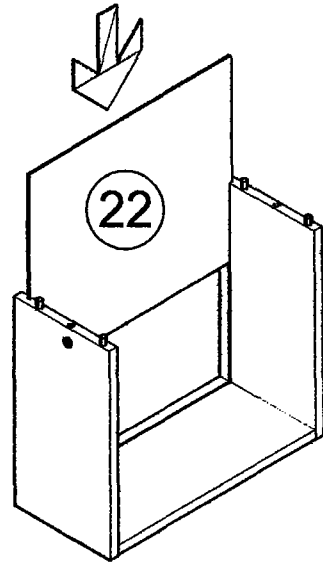
BOKL 23

20



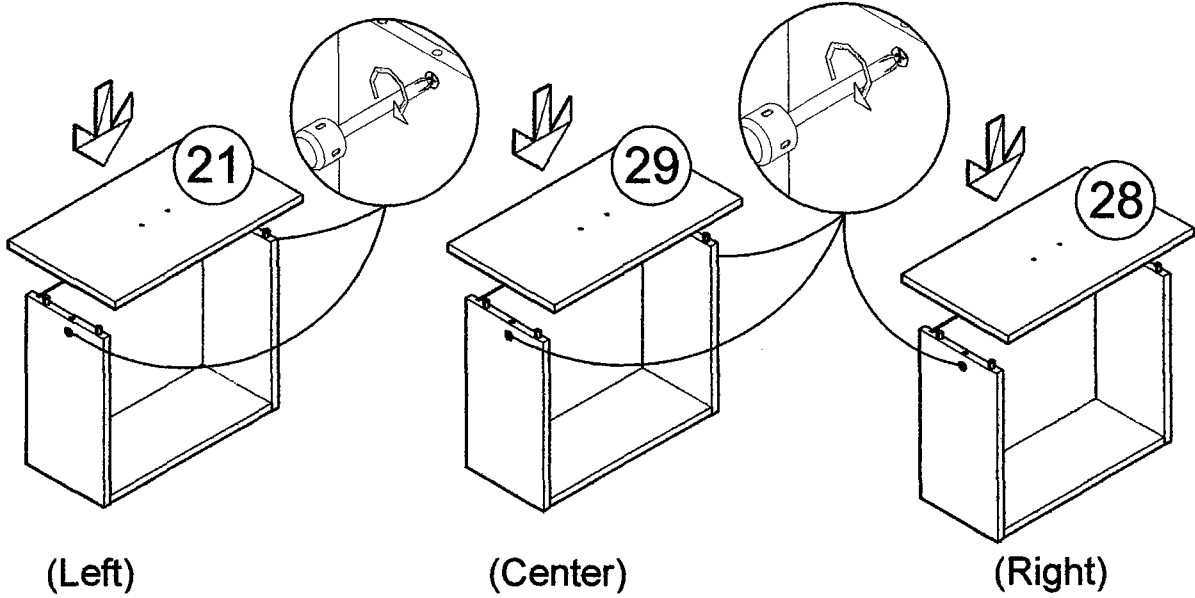
Do This Step 3 Times

21



Do This Step 3 Times

22



(Left)

(Center)

(Right)

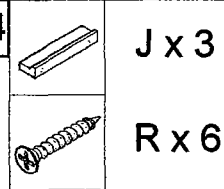
23



D x 12

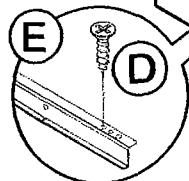
E x 3 Set

24

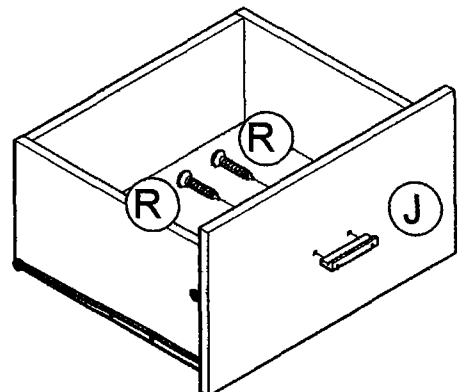


J x 3

R x 6

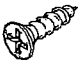


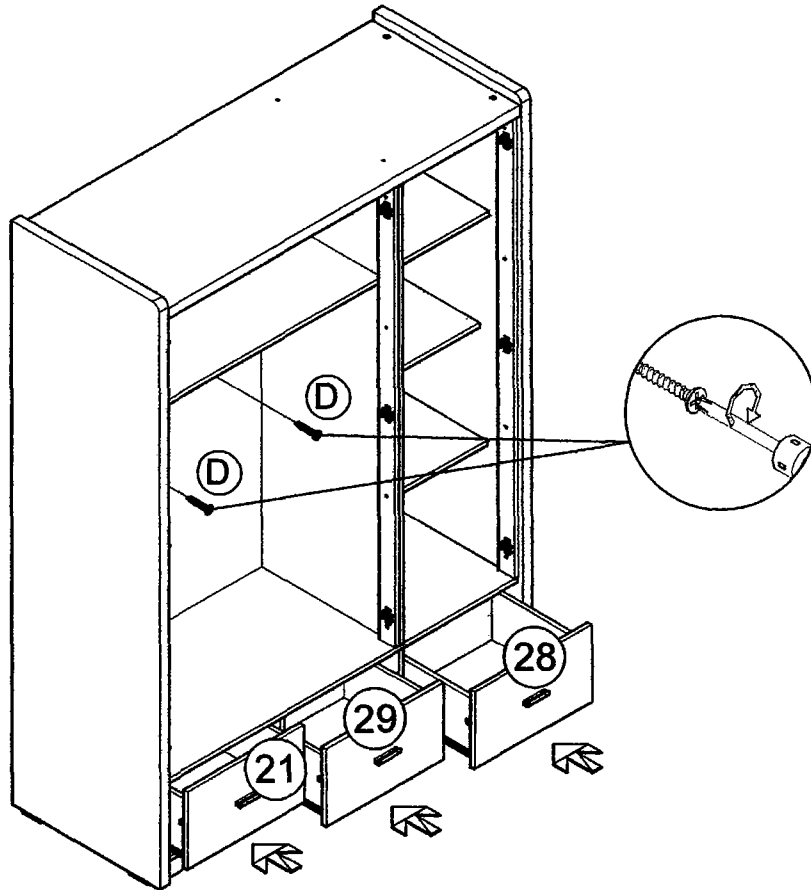
Do This Step 3 Times



Do This Step 3 Times

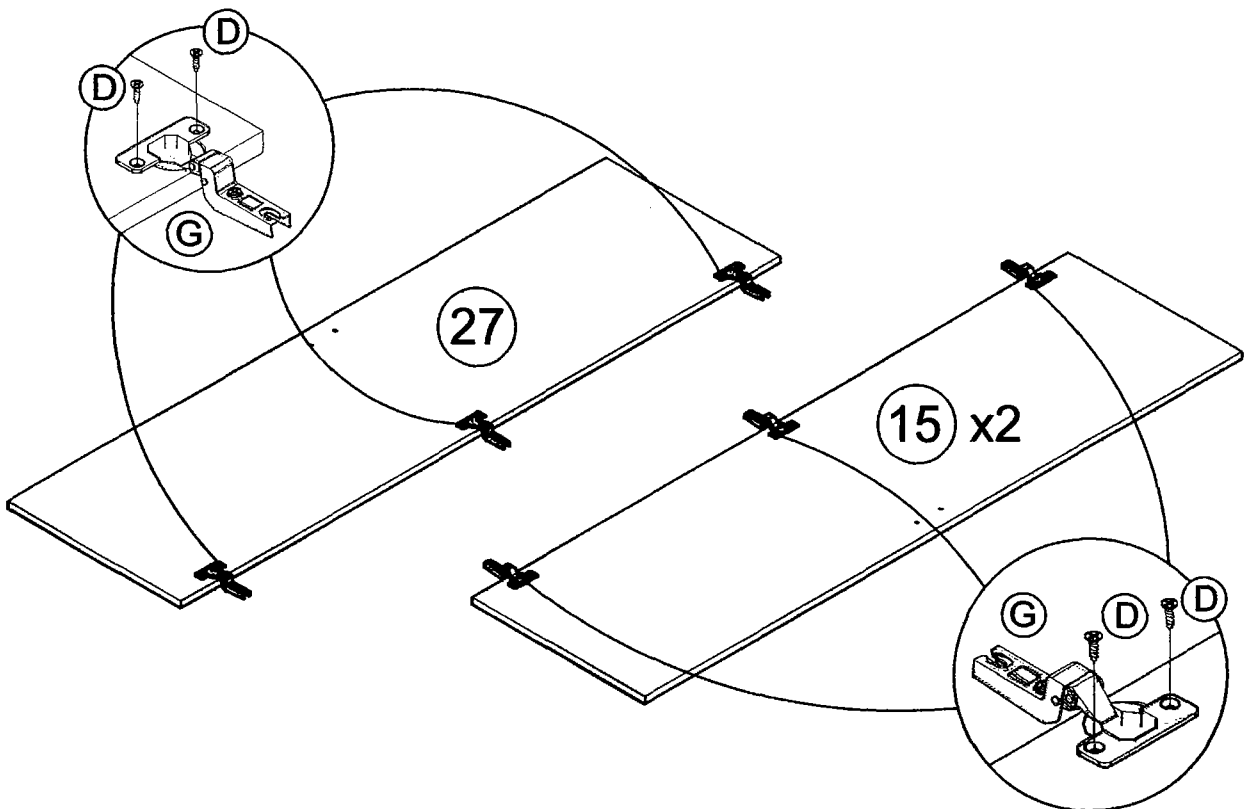
BOKL 23

25  D x 2



26  D x 18

 G x 9



BOKL 23

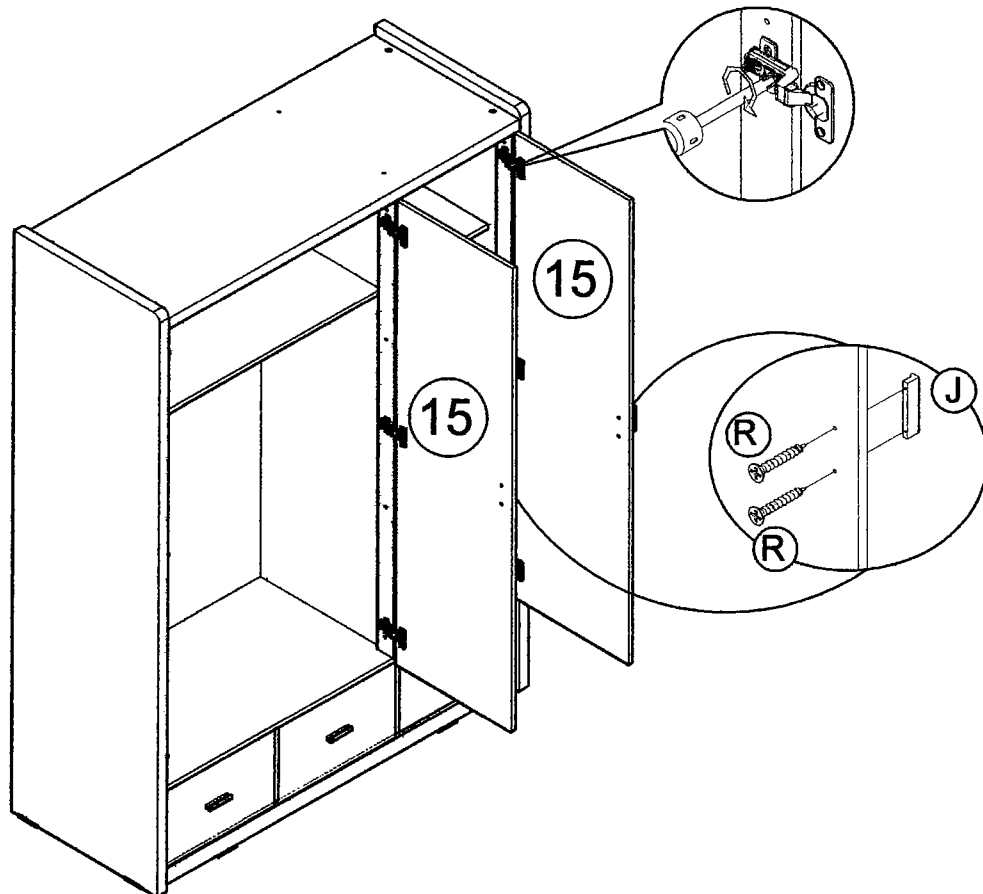
27



J x 2



R x 4



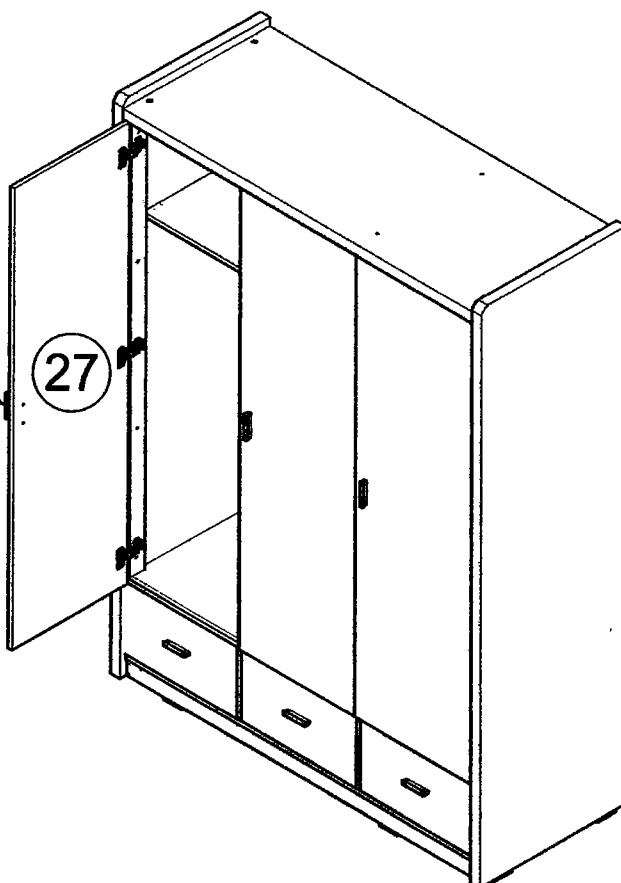
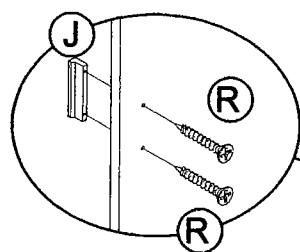
28



J x 1



R x 2



BOKL 23

29



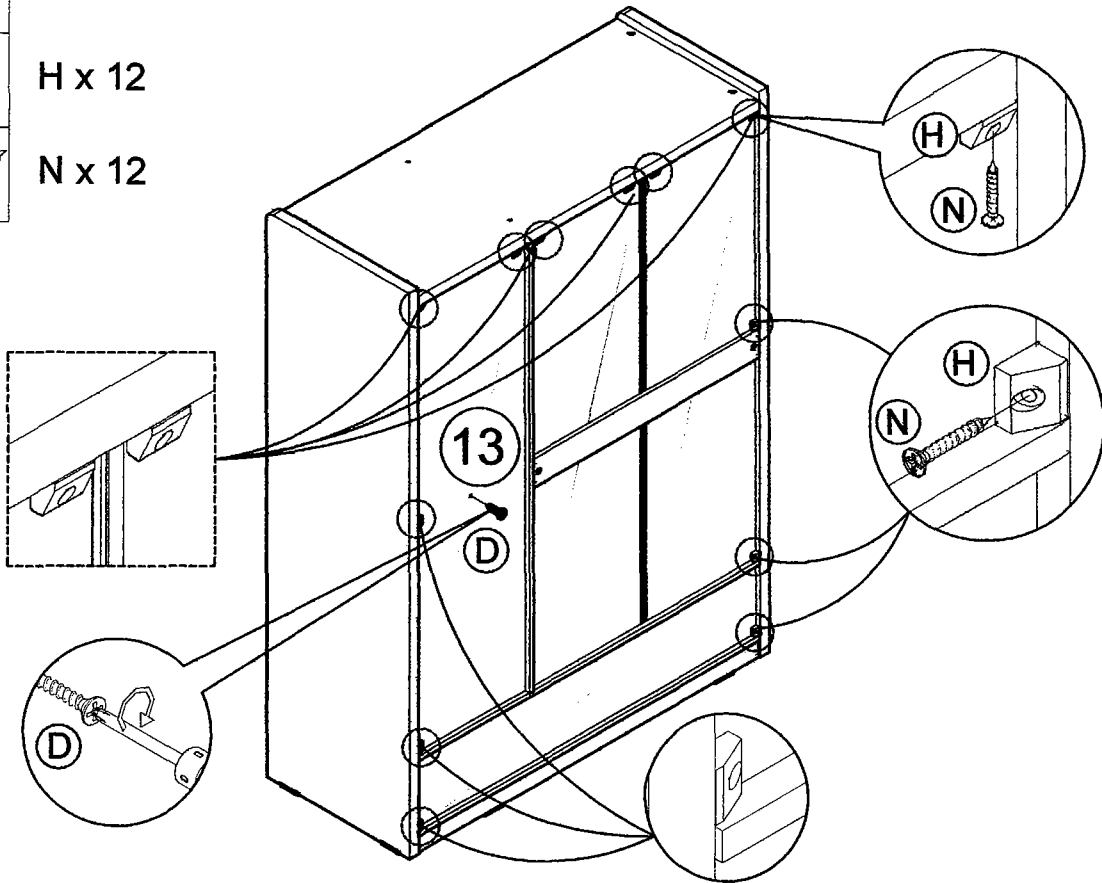
D x 1



H x 12



N x 12



30

