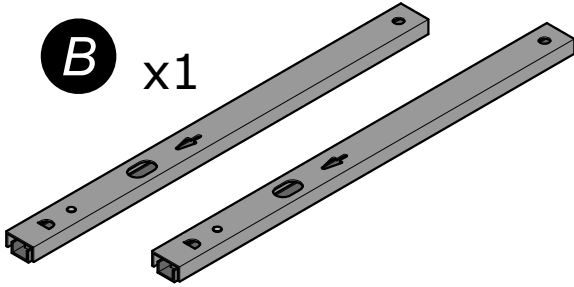




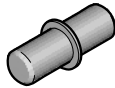
**A** x4



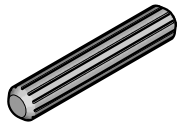
**B** x1



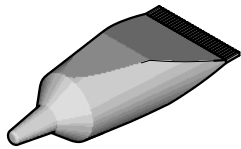
**C** x12



**D** x12



**E** x1



**F** x4



**G** x8



**H** x10



**I** x4



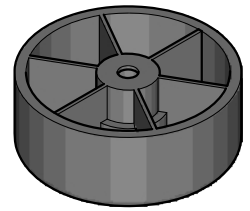
**J** x12



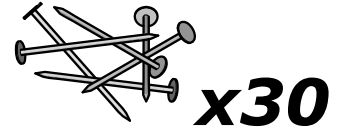
**K** x2



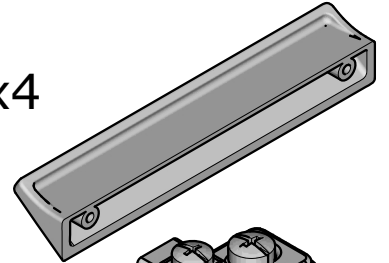
**L** x8



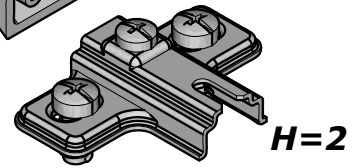
**M** x1



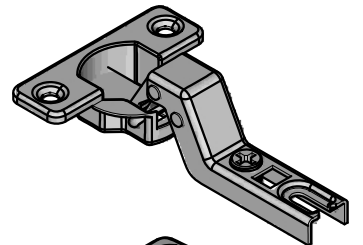
**N** x4



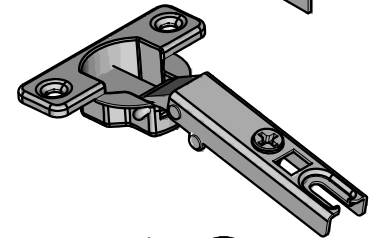
**O** x2



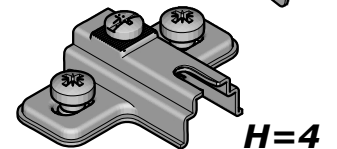
**P** x2



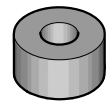
**Q** x4



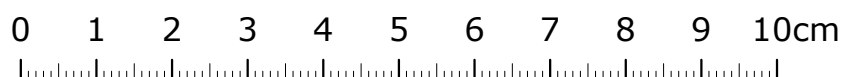
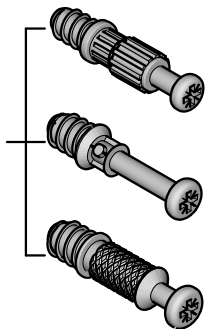
**R** x4



**S** x1



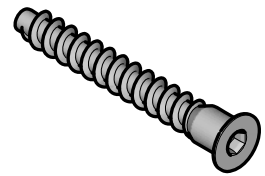
**T** x4



U x4



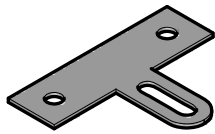
X x8



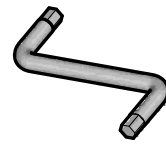
5x40



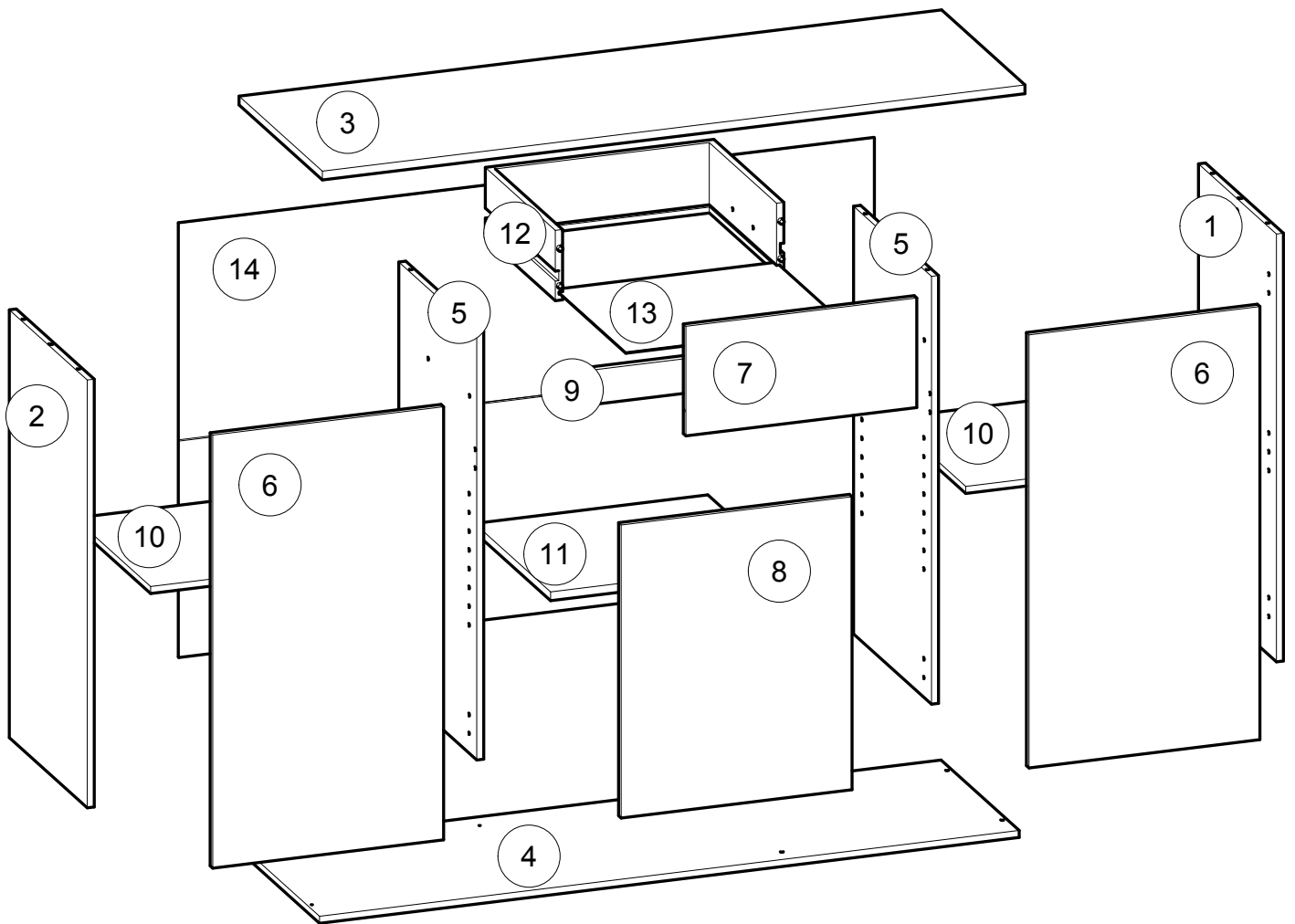
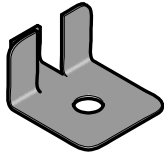
V x1



Y x1

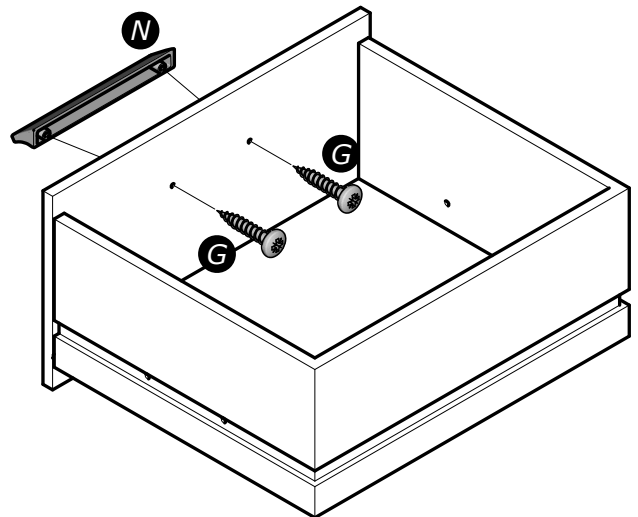
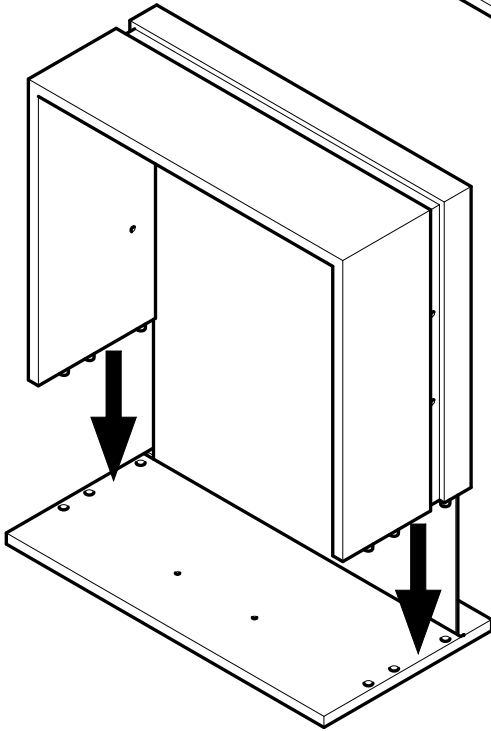
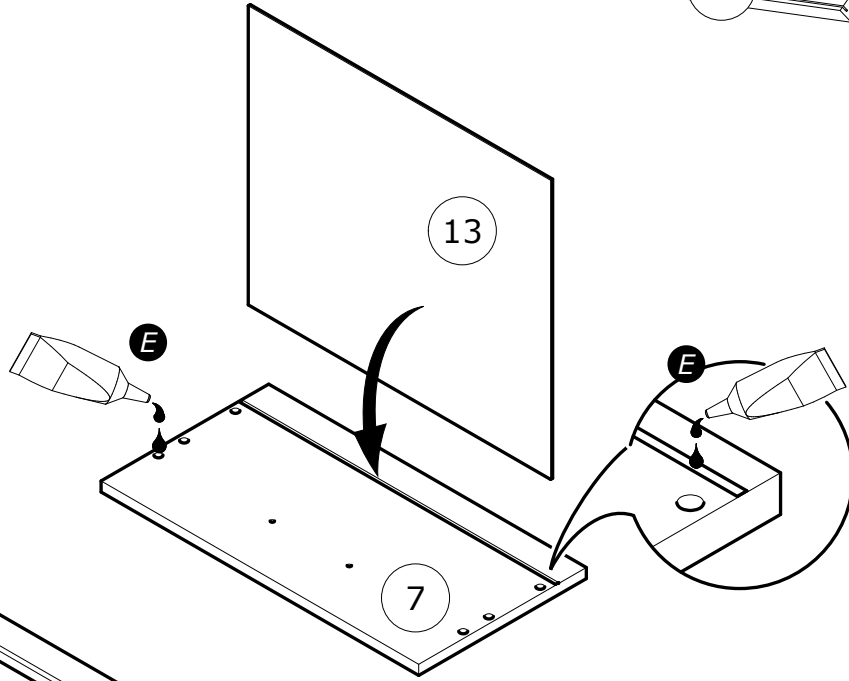
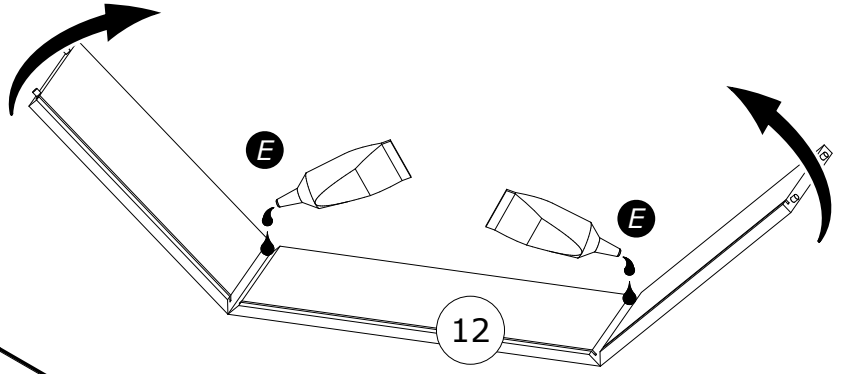
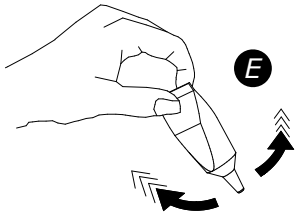
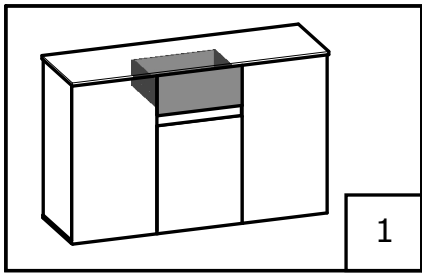


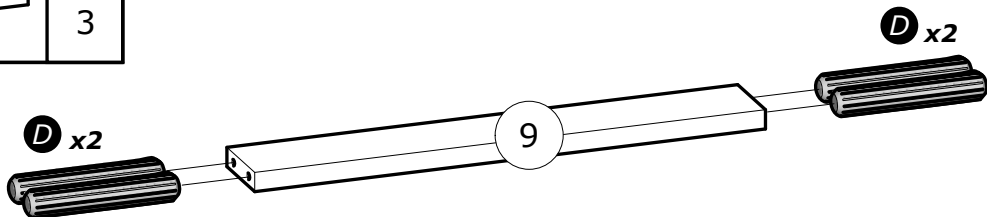
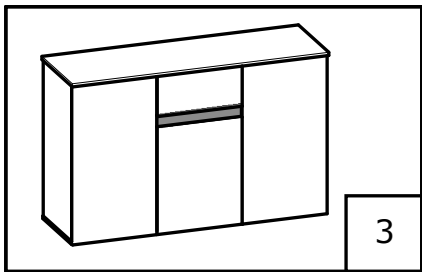
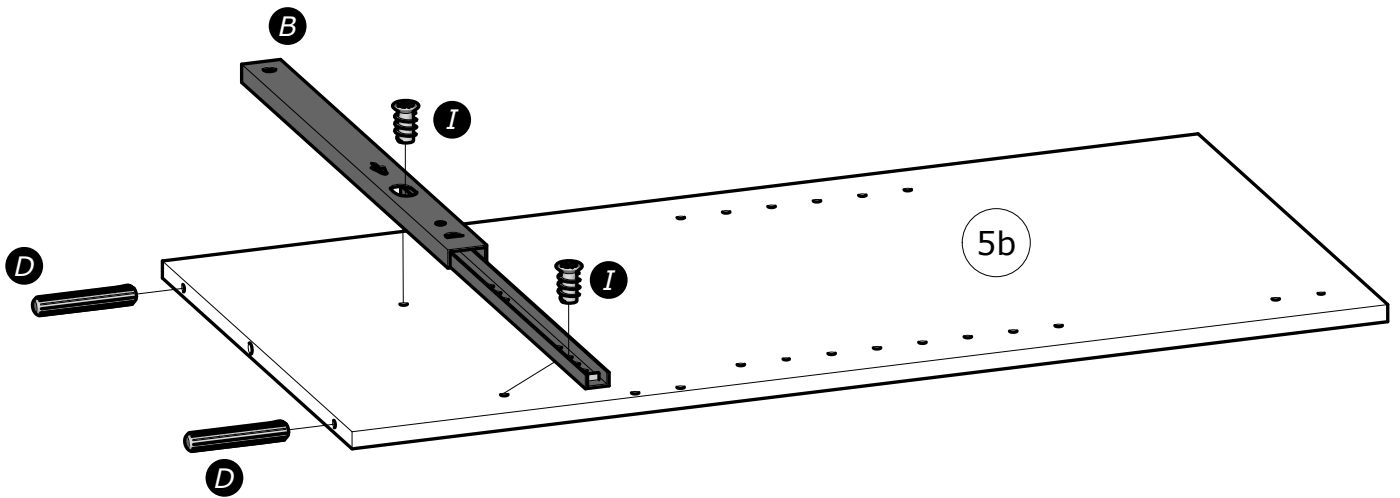
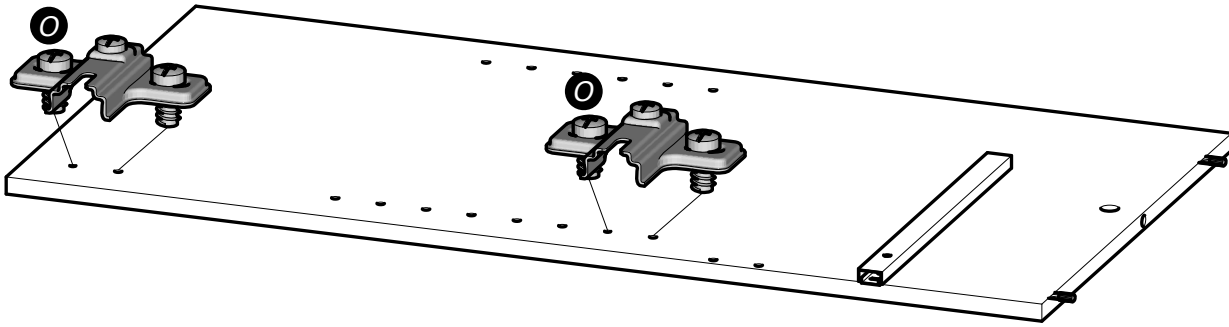
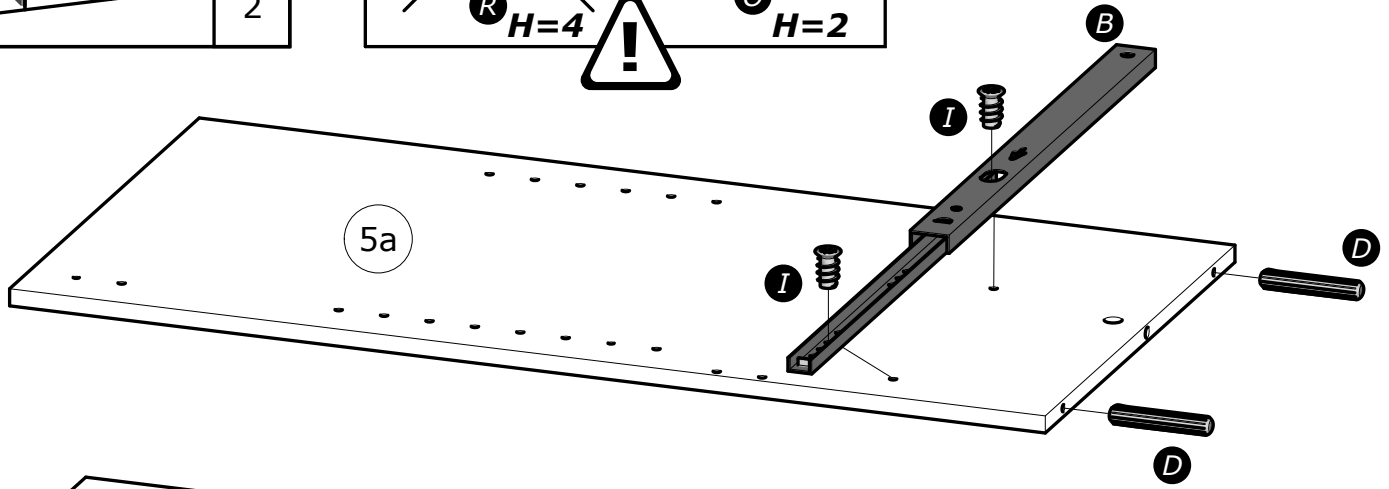
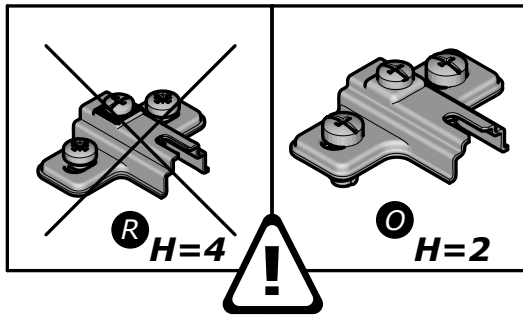
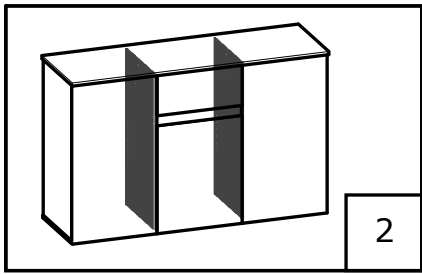
W x4

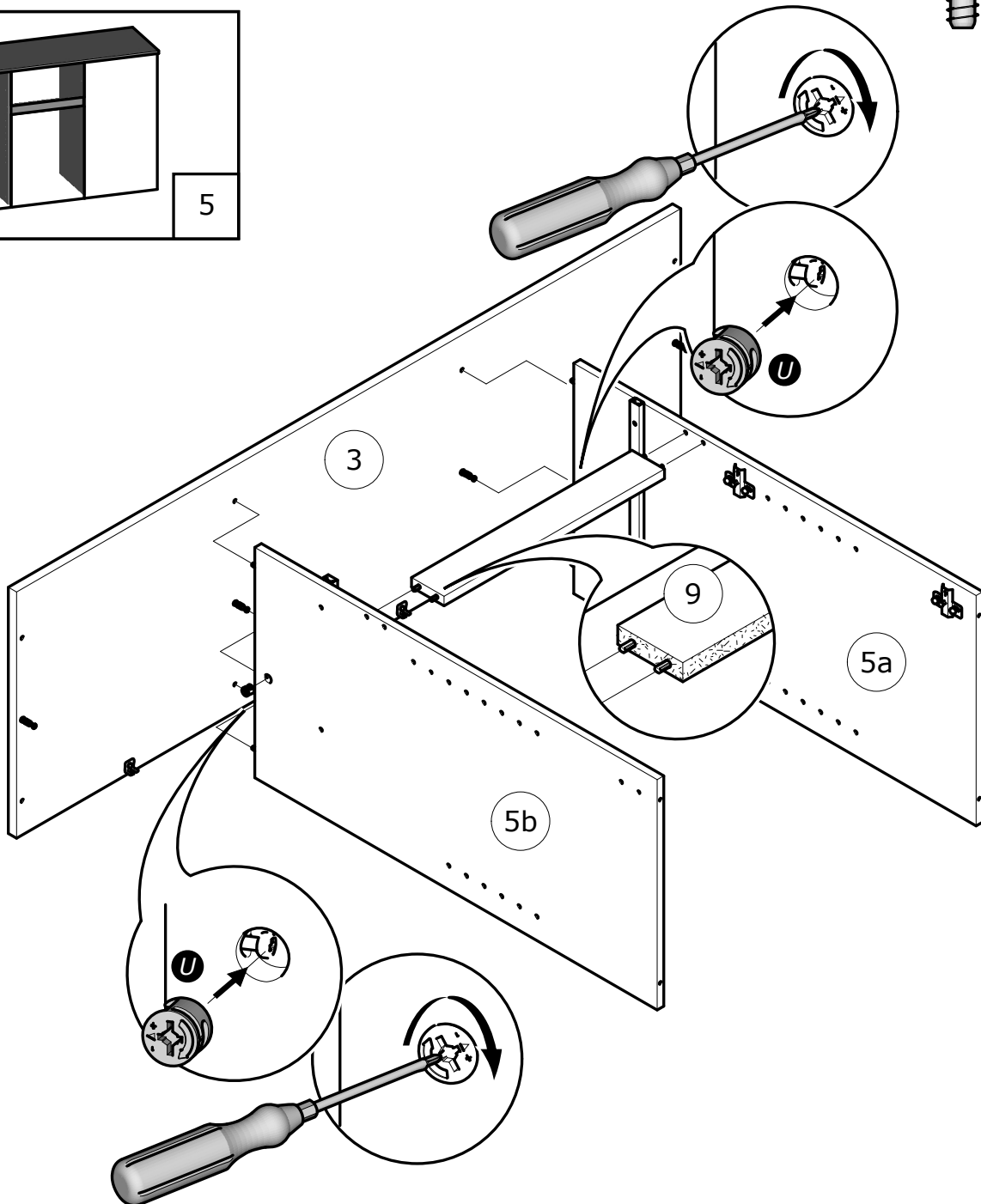
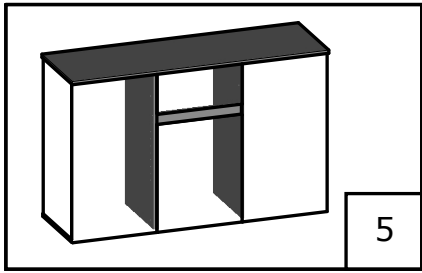
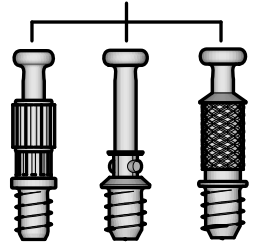
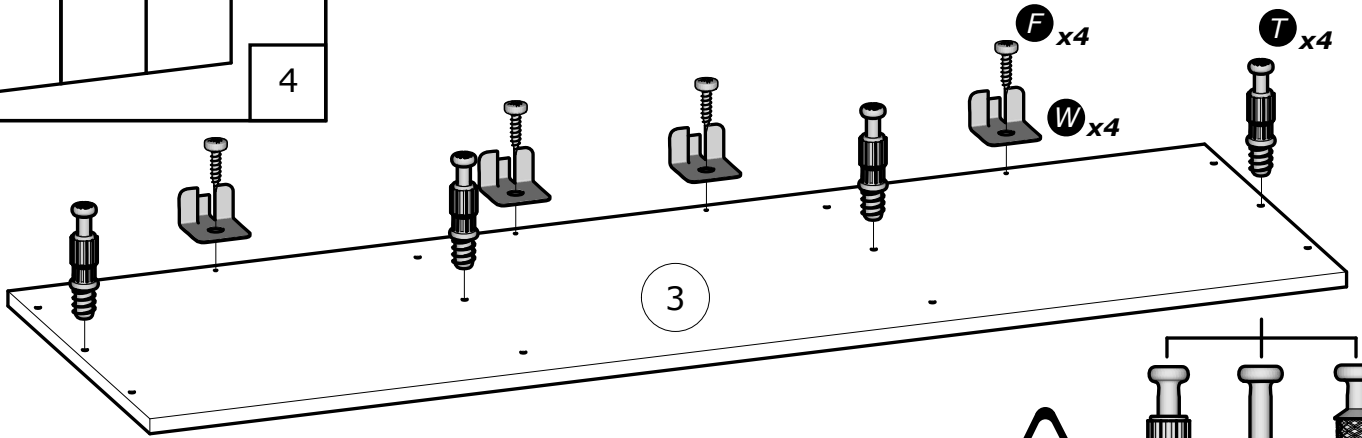
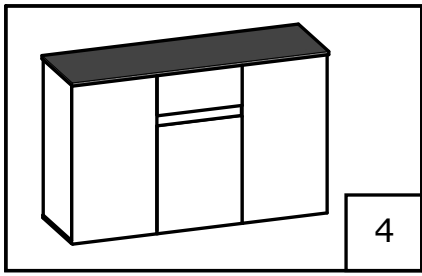


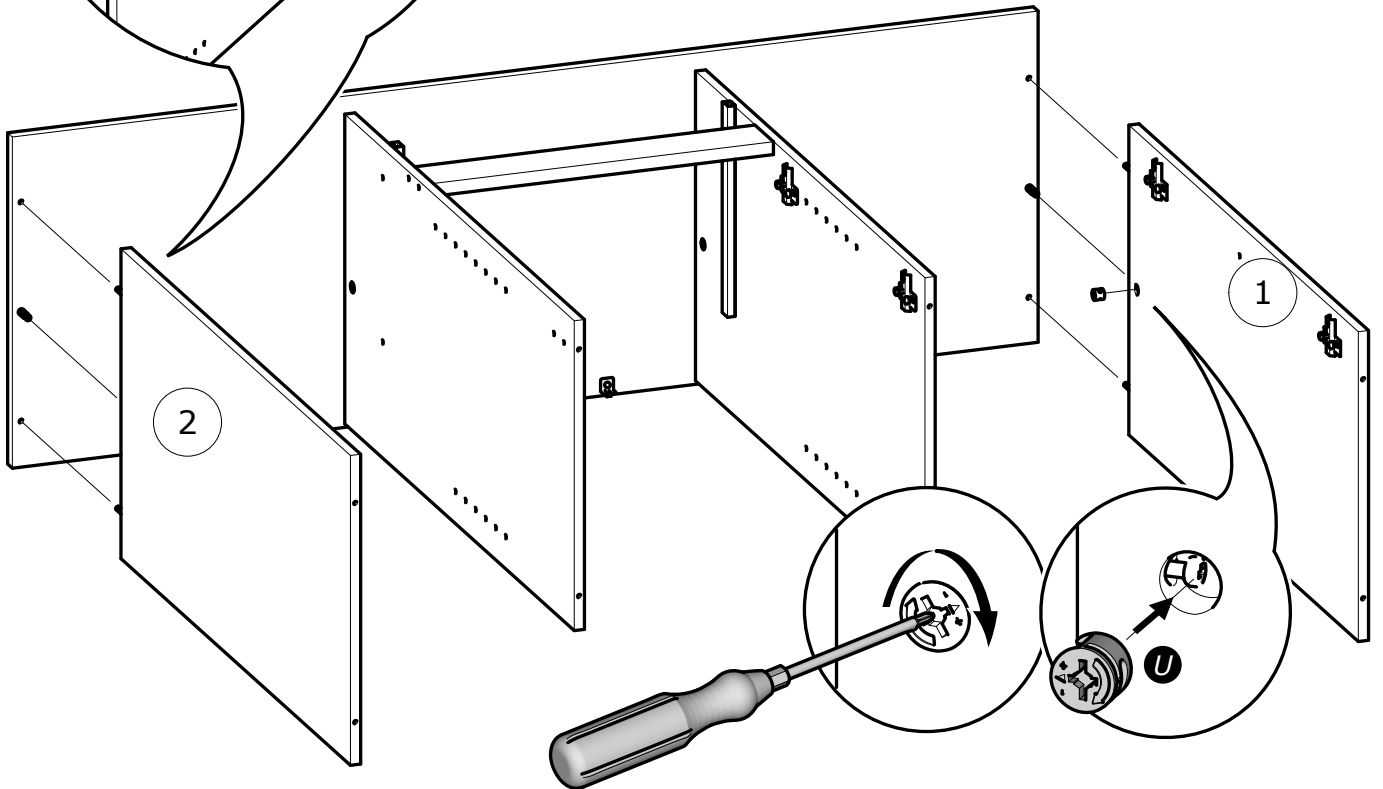
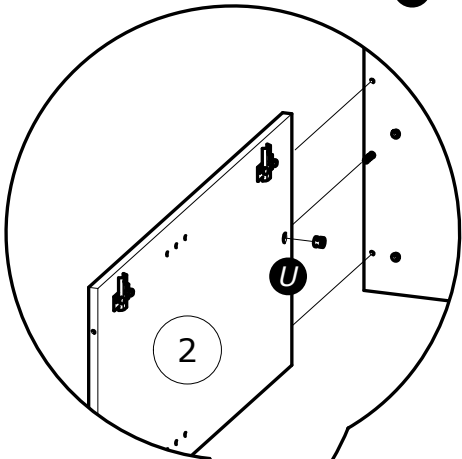
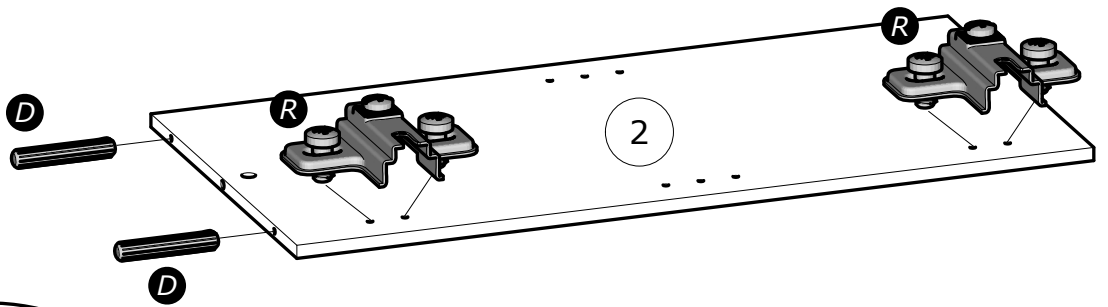
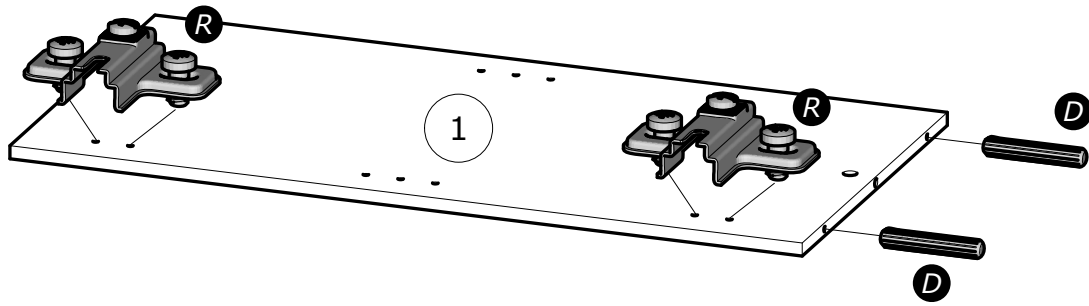
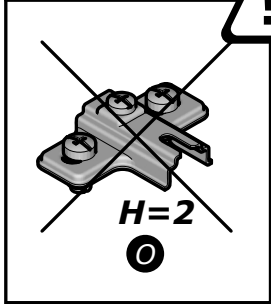
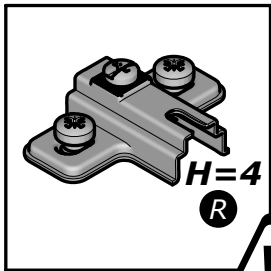
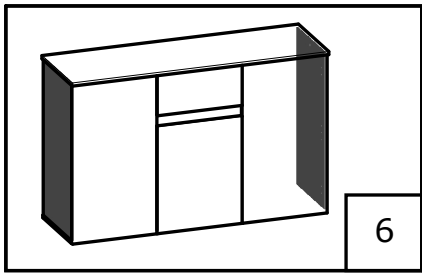
N°	Dim. (mm)	Qty.
1	730x 362	x1
2	730x 362	x1
3	1 205x 387	x1
4	1 200x 363	x1
5	730x 362	x2
6	739x 396	x2
7	396x 187	x1

N°	Dim. (mm)	Qty.
8	500x 396	x1
9	400x 59	x1
10	374x 353	x2
11	400x 353	x1
12	392x 325	x1
13	377x 323	x1
14	1 193x 741	x1

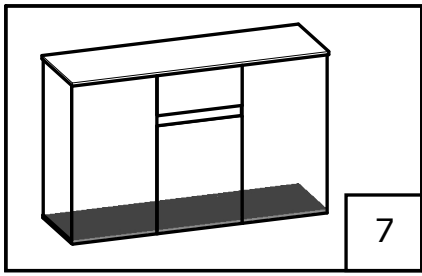




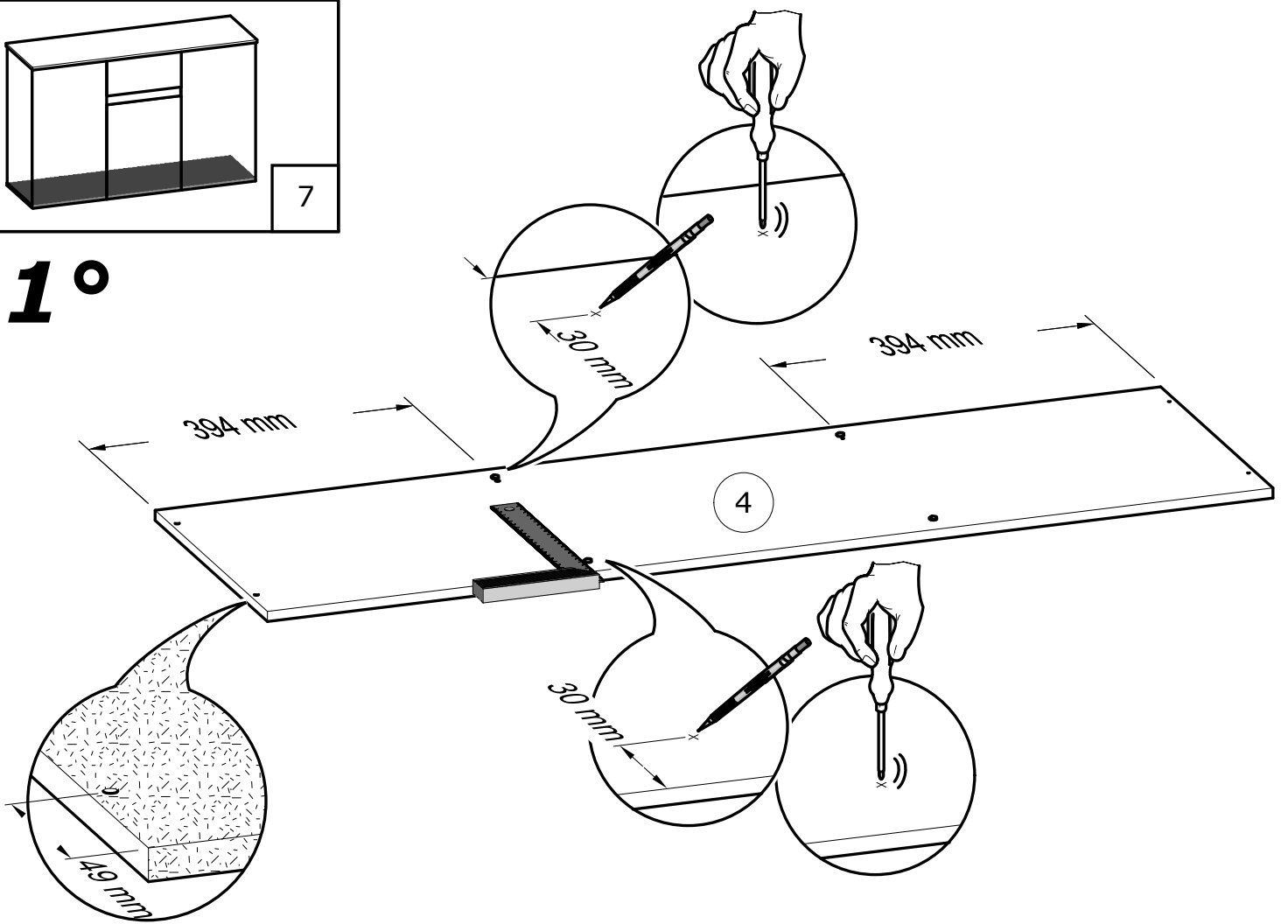




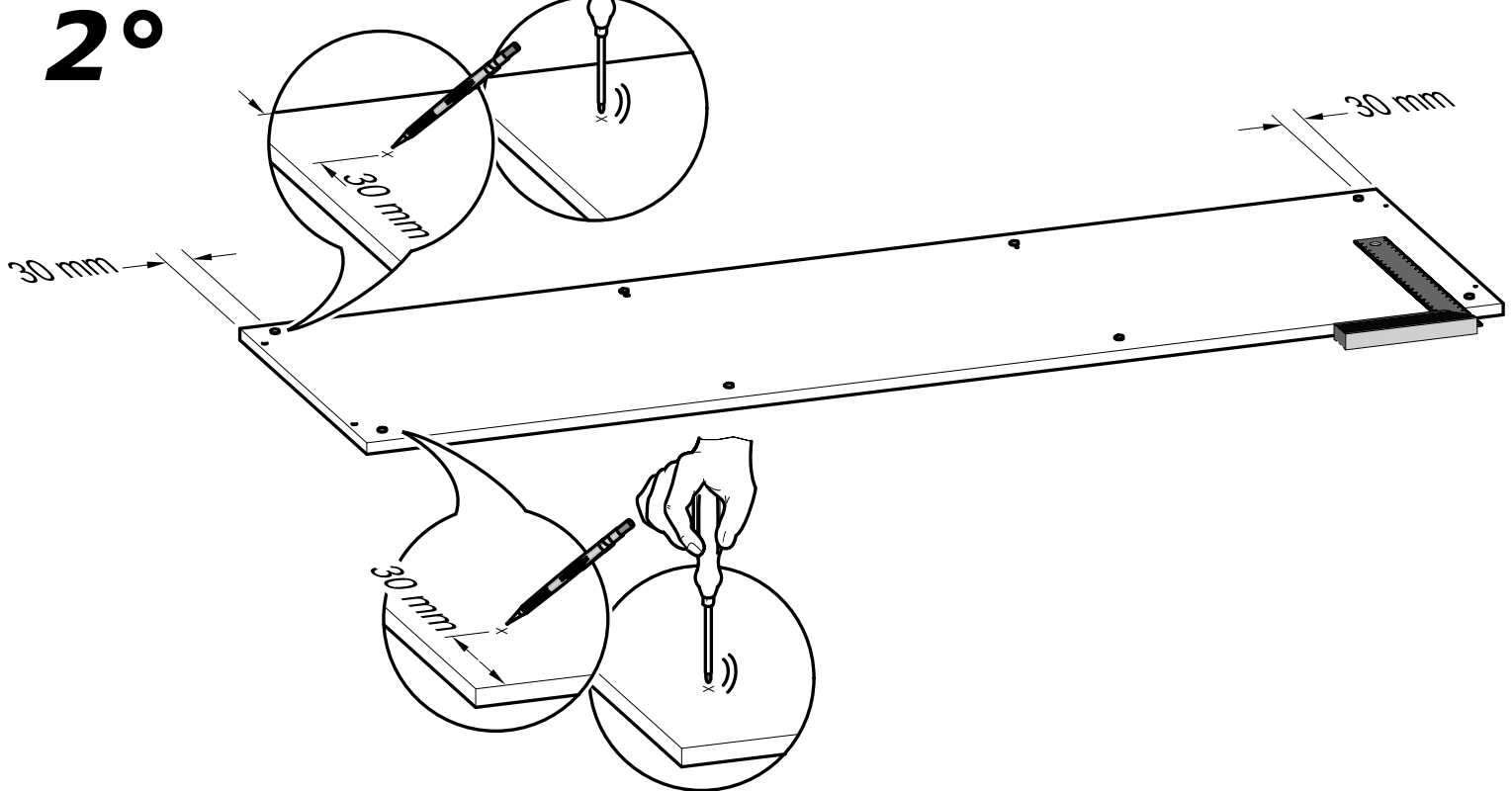




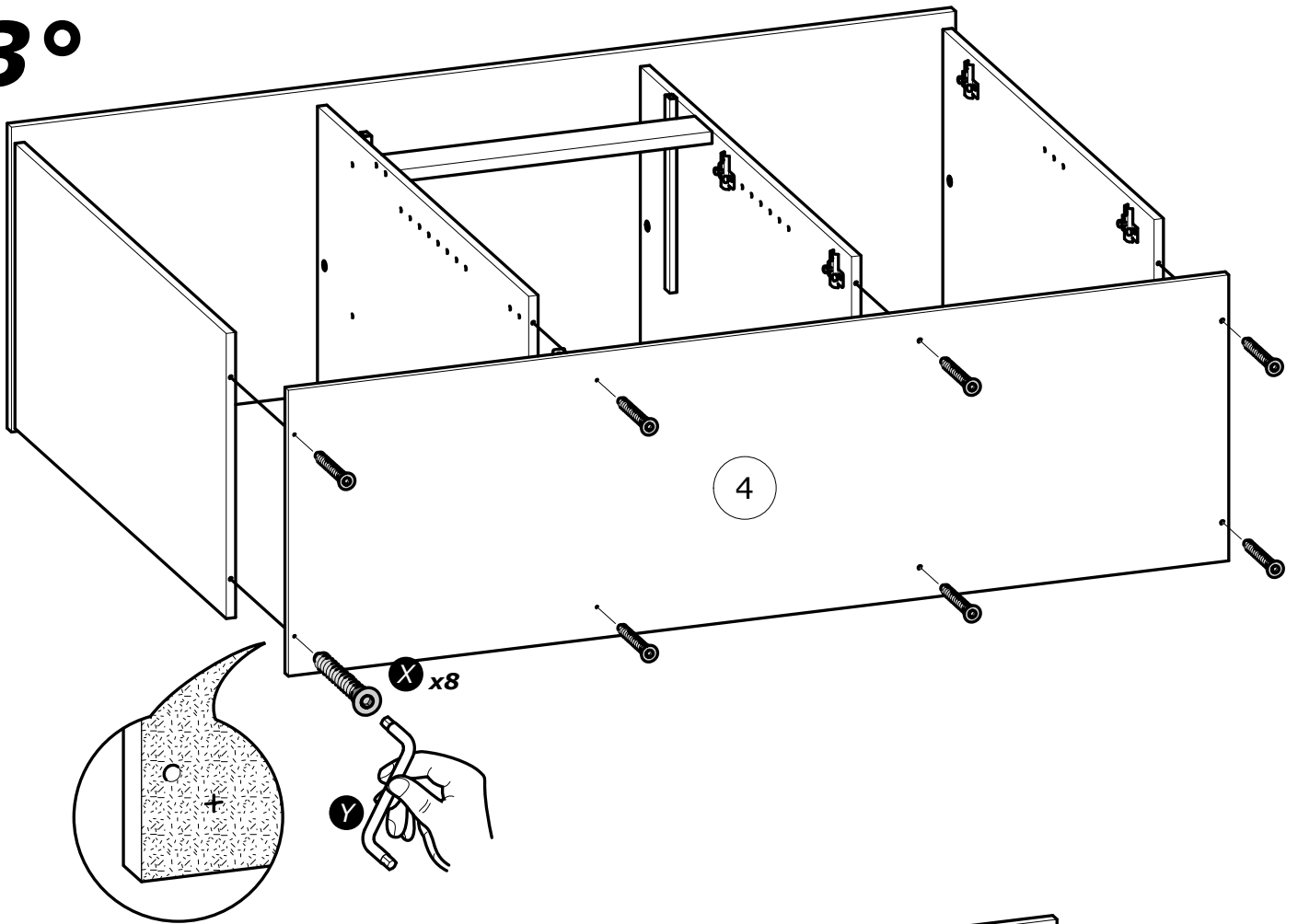
1°



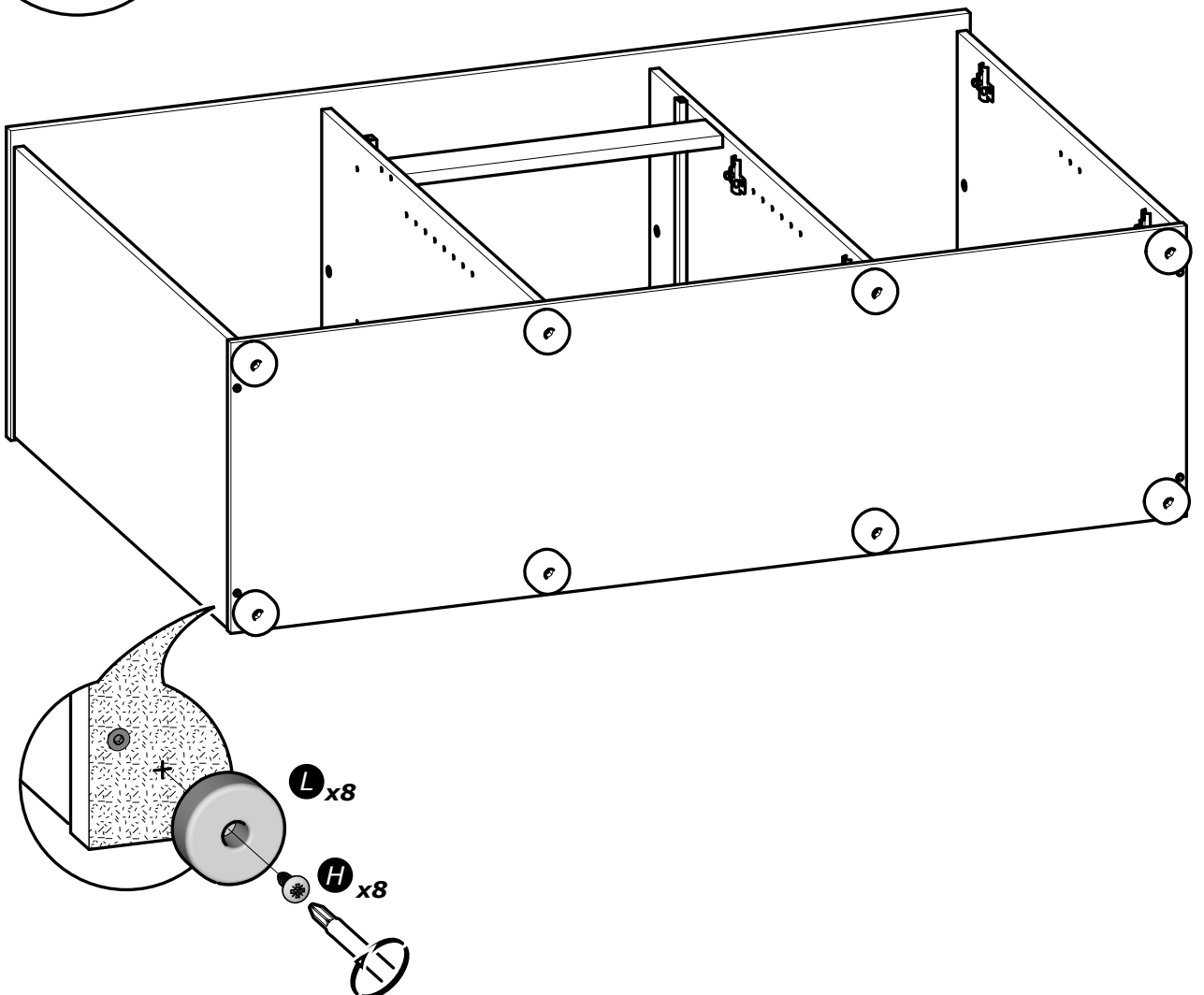
2°

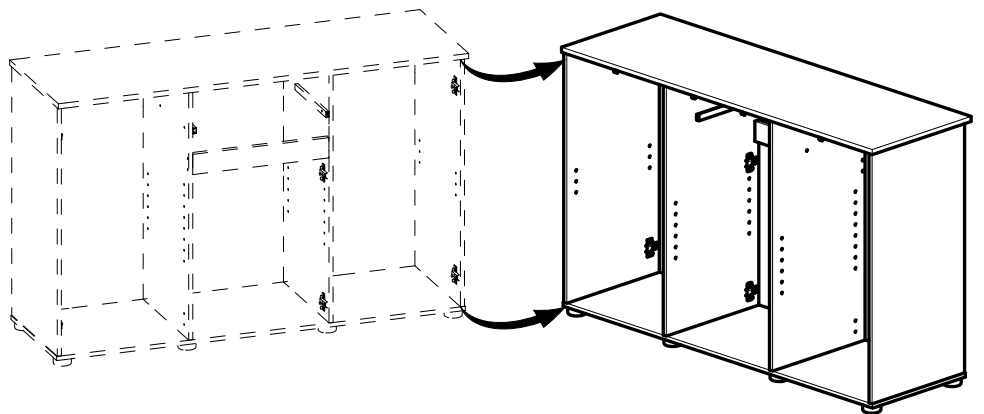
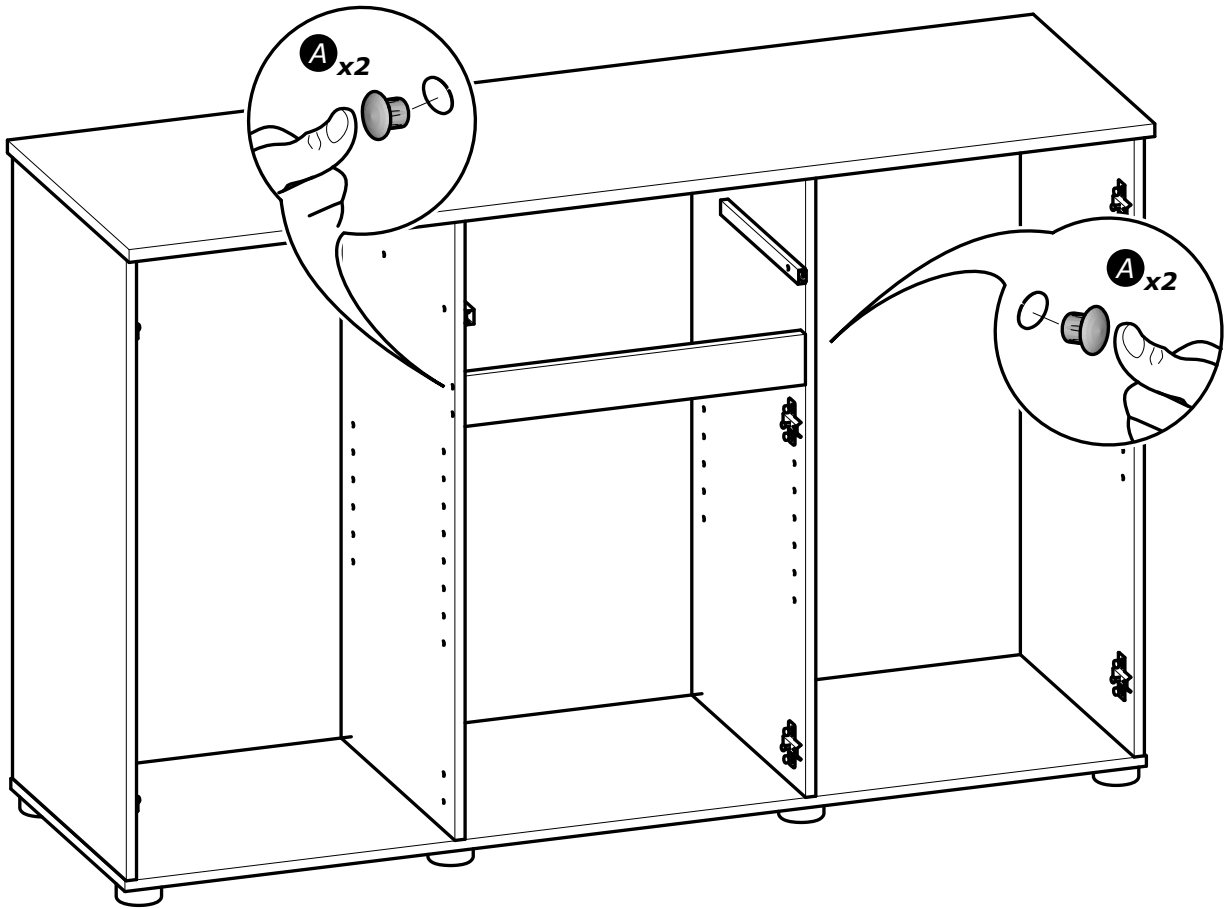
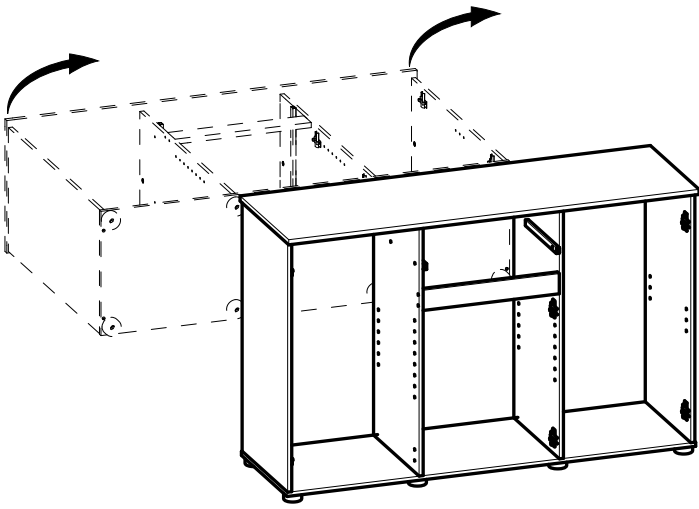


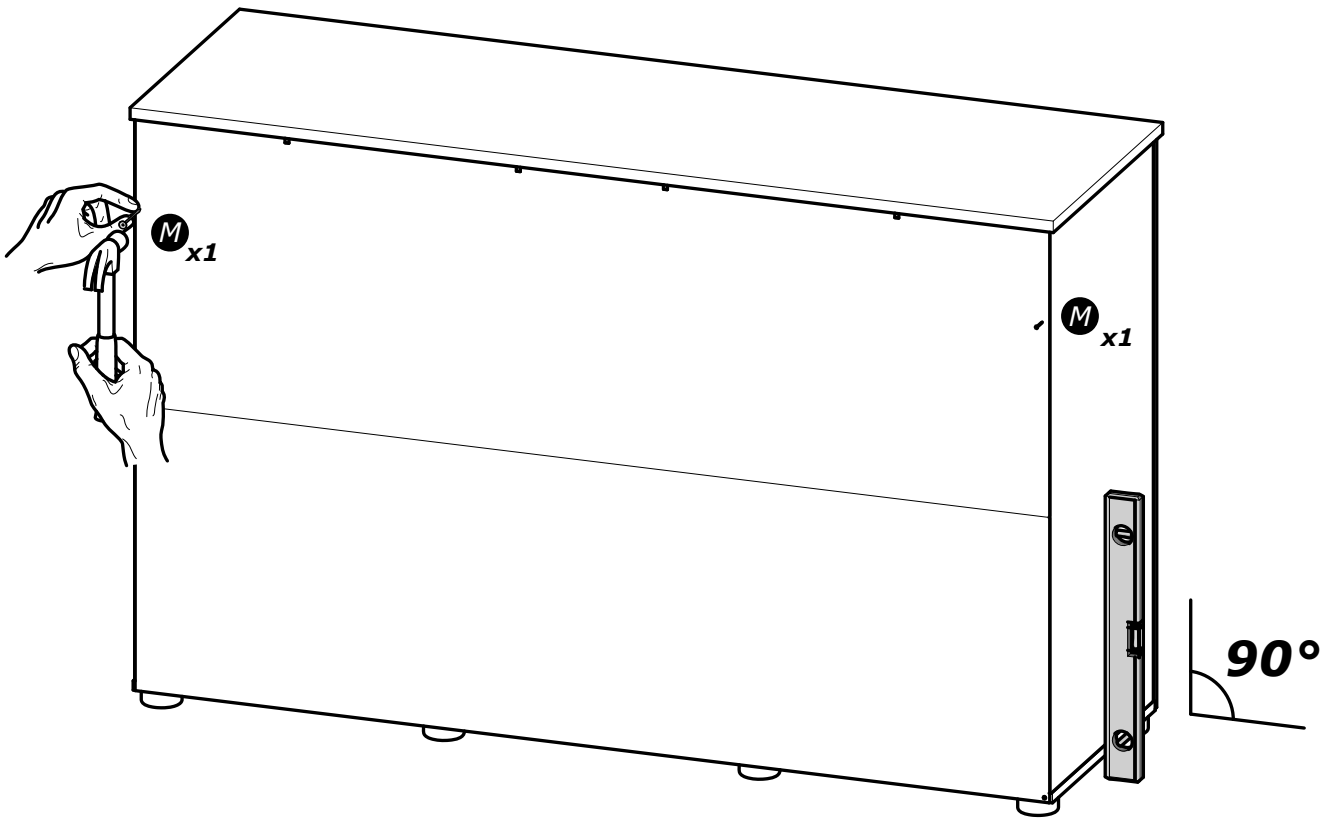
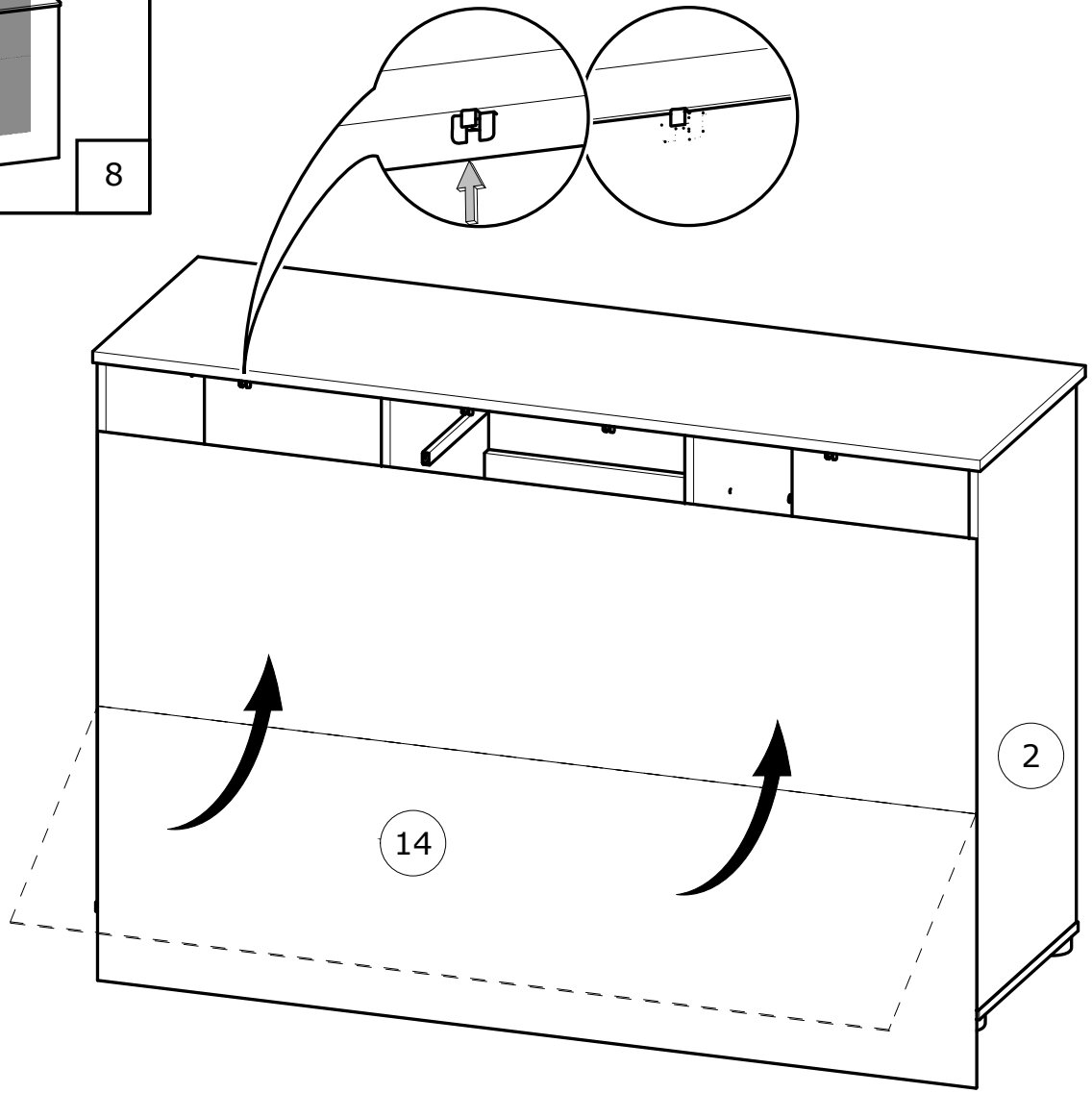
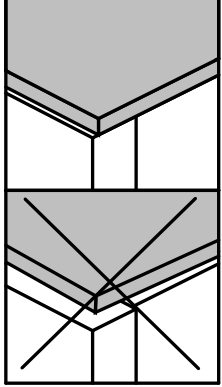
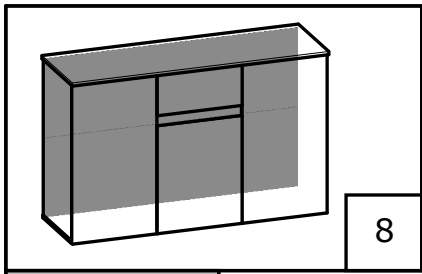
3°

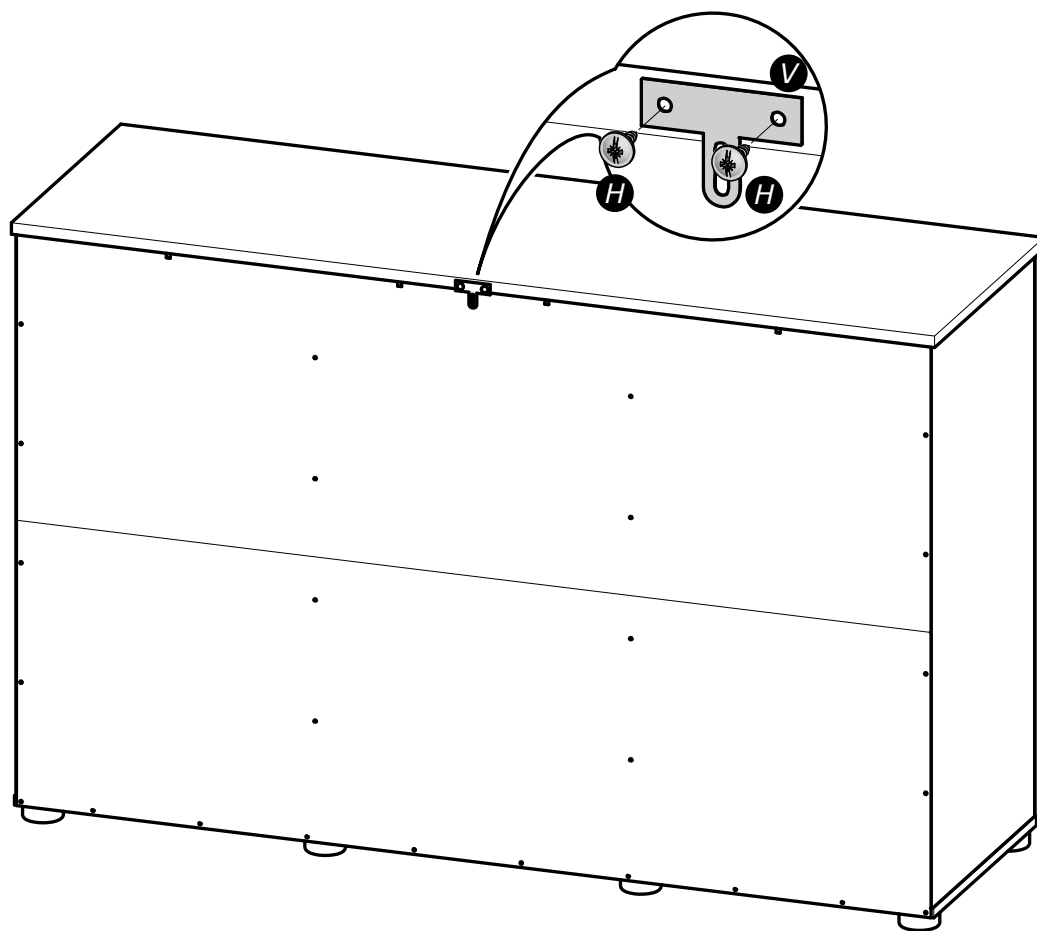
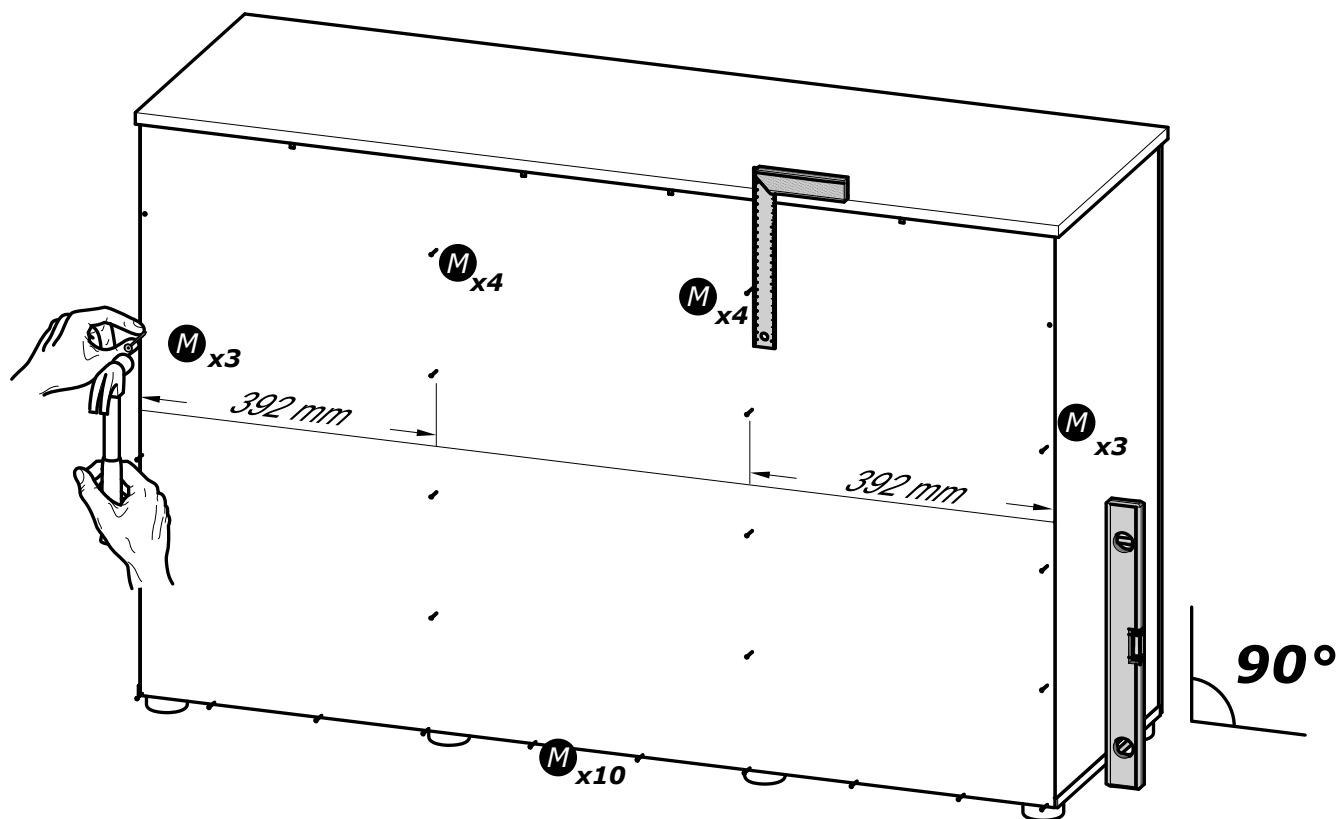


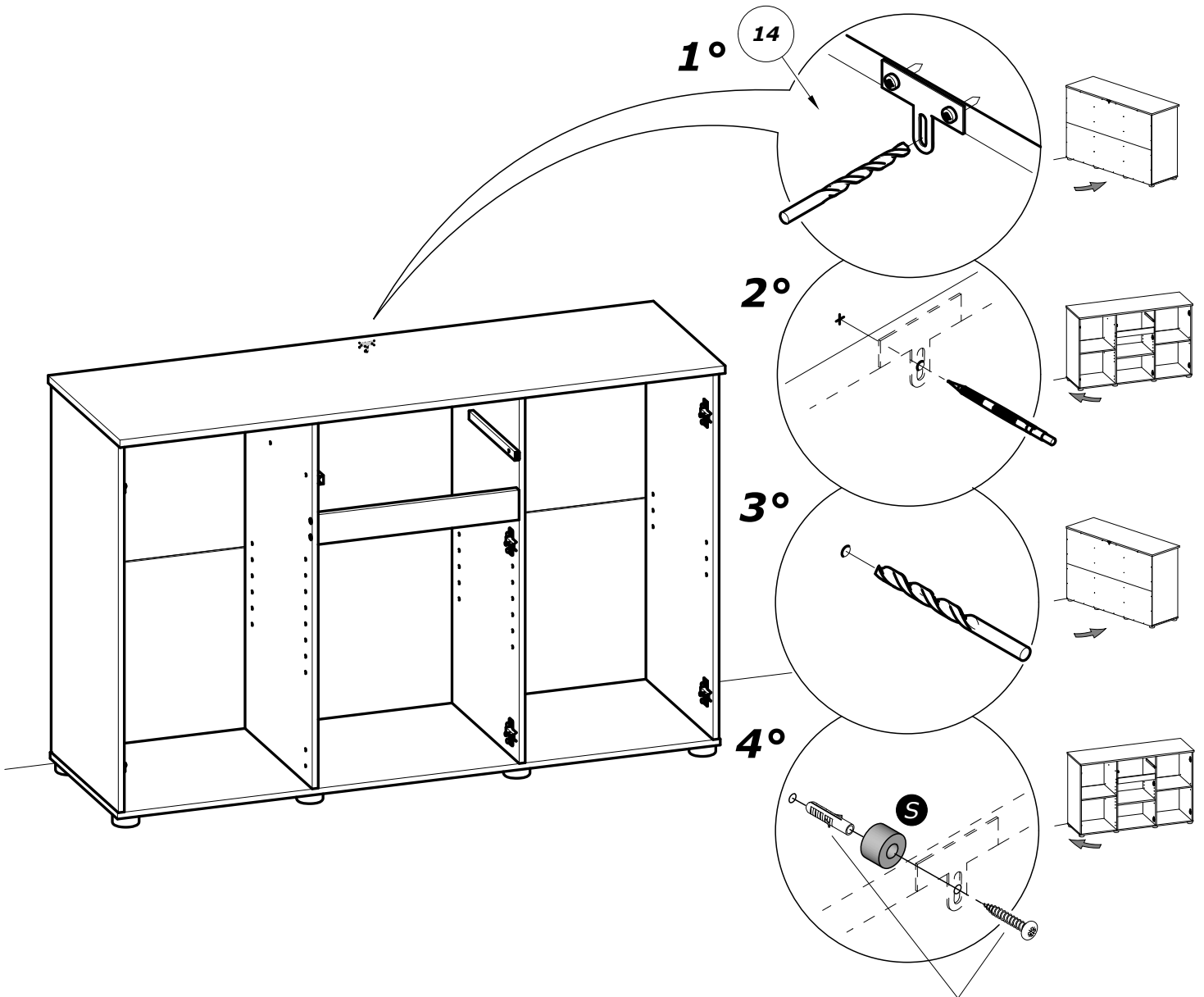
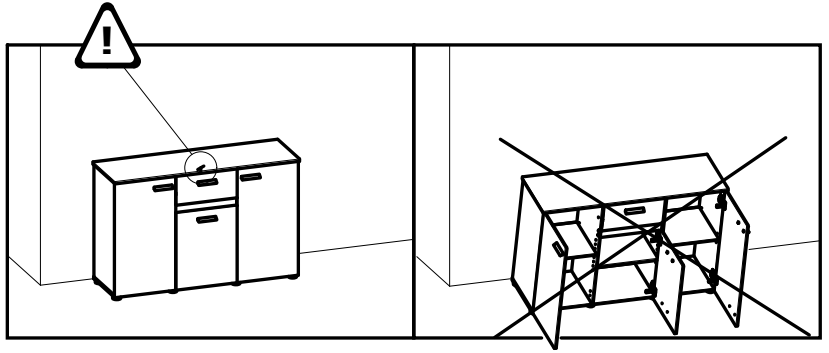
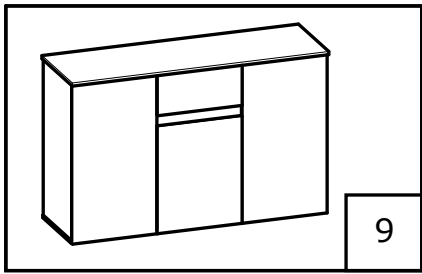
4°



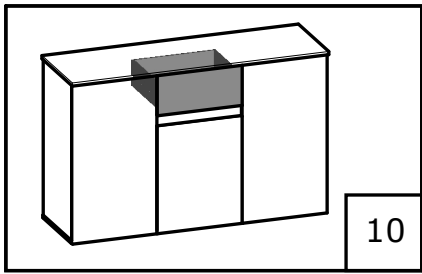




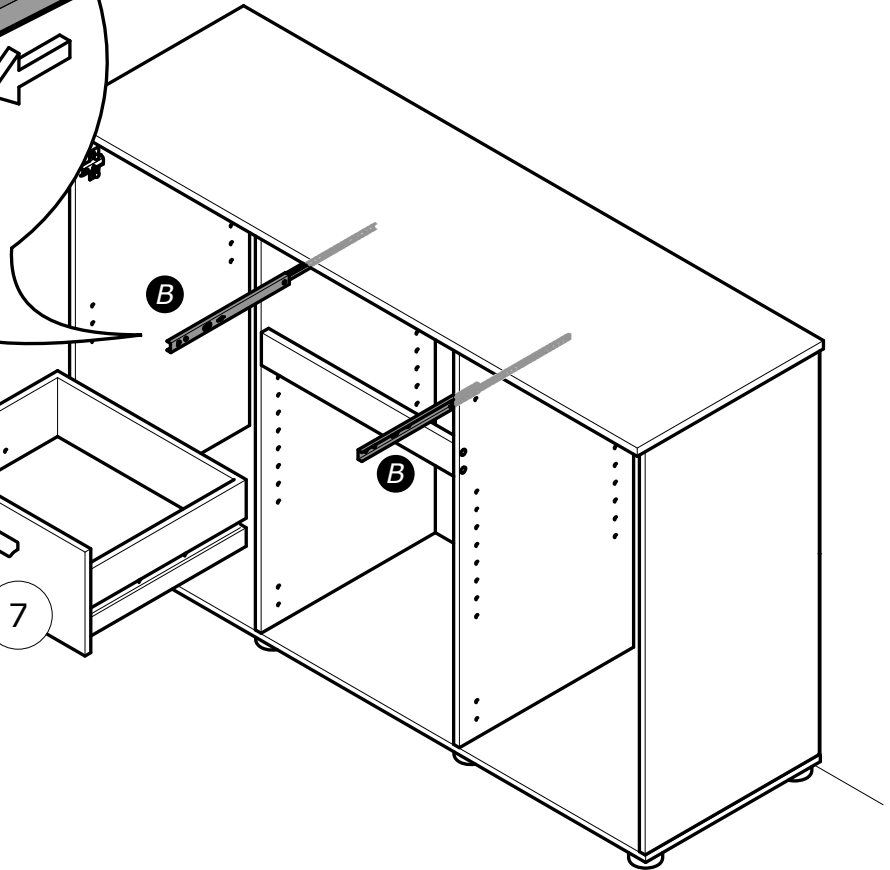
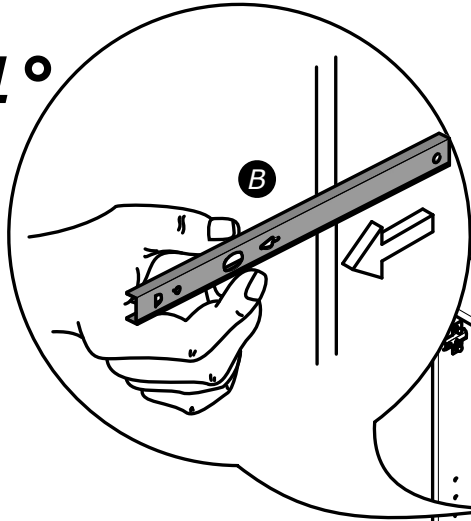




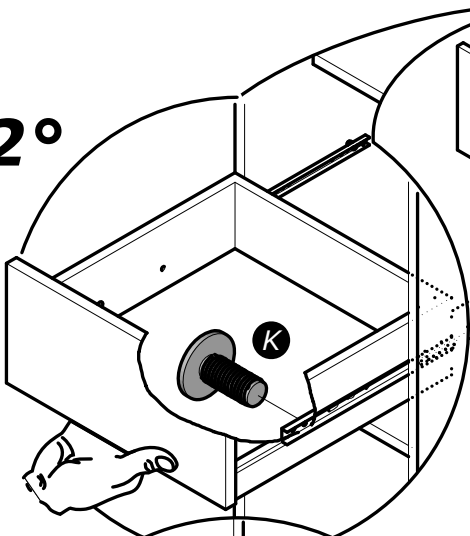
**NON INCLUS**  
Not Supplied



1°



2°



3°

