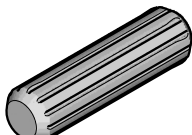






A x6 

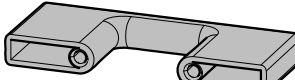
B x12 

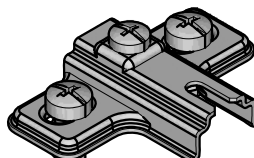
C x2 

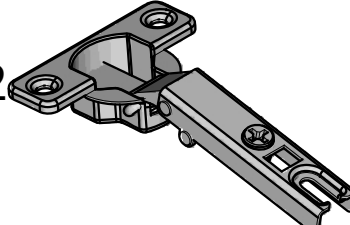
D x2 
TR 4x25mm

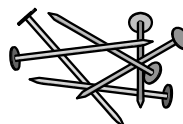
E x4 
TF 3.5x15mm

F x1 

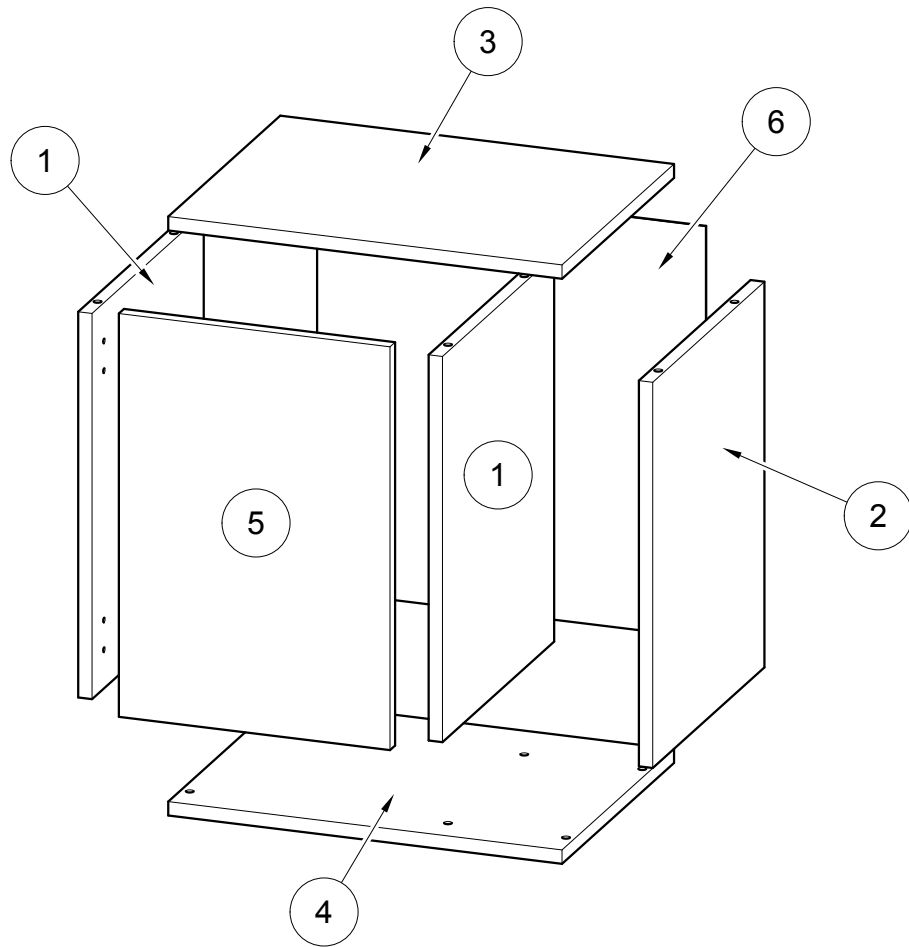
G x1 

H x2 

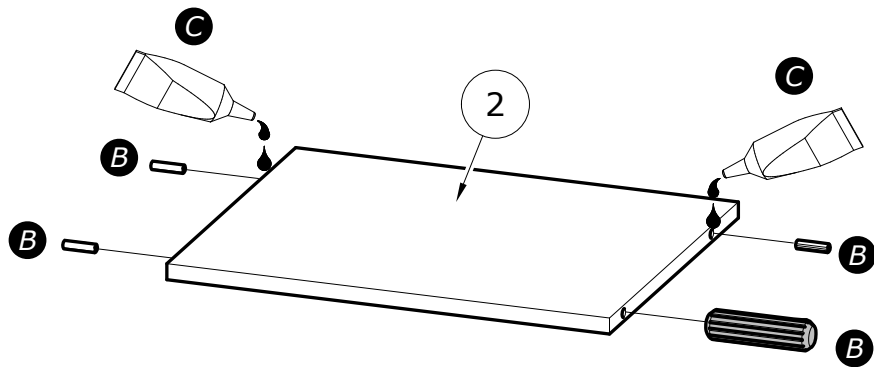
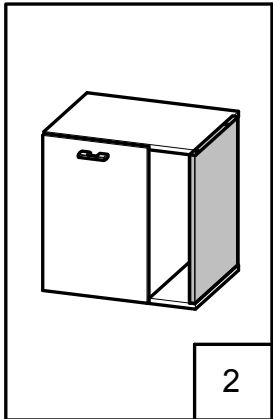
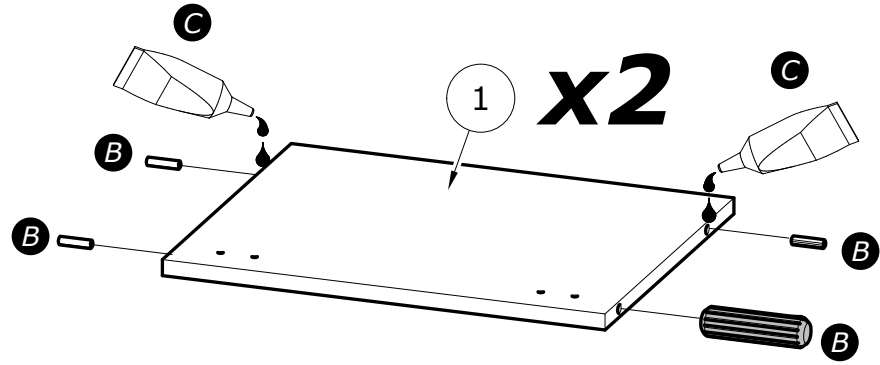
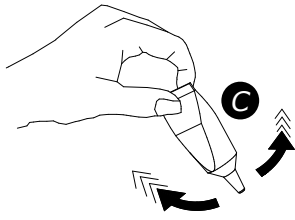
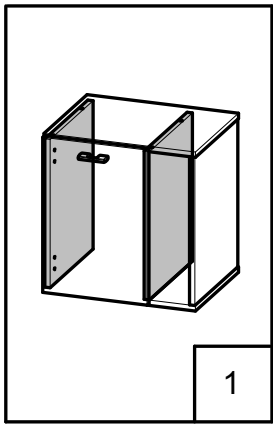
I x2 

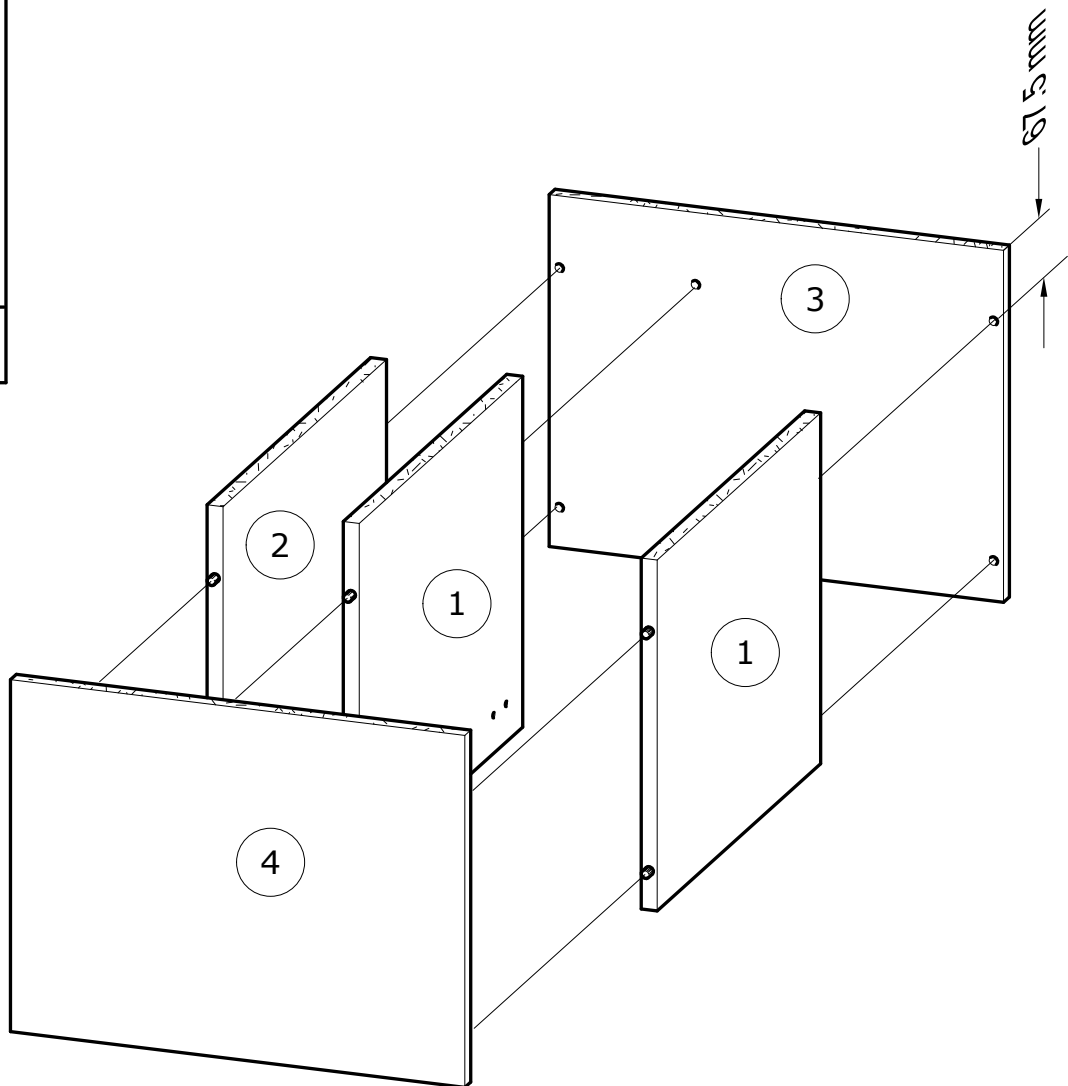
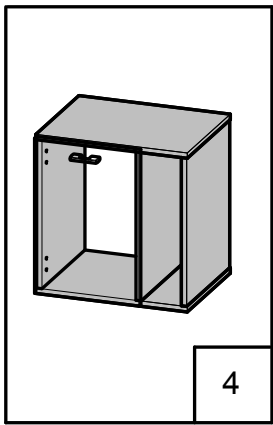
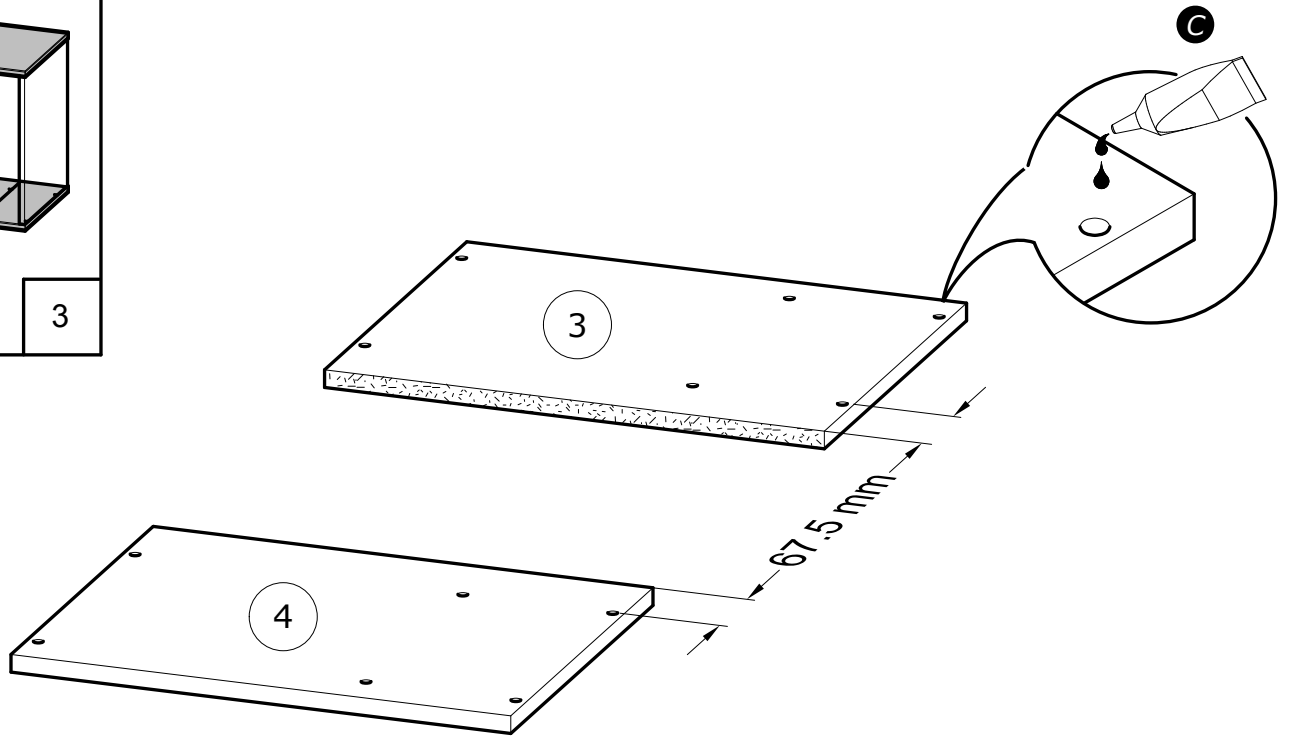
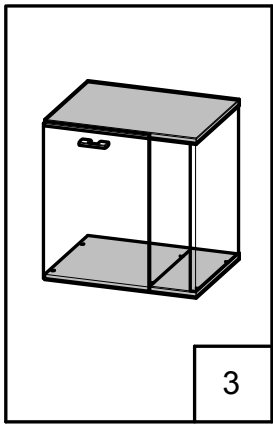
J x1  **x30**

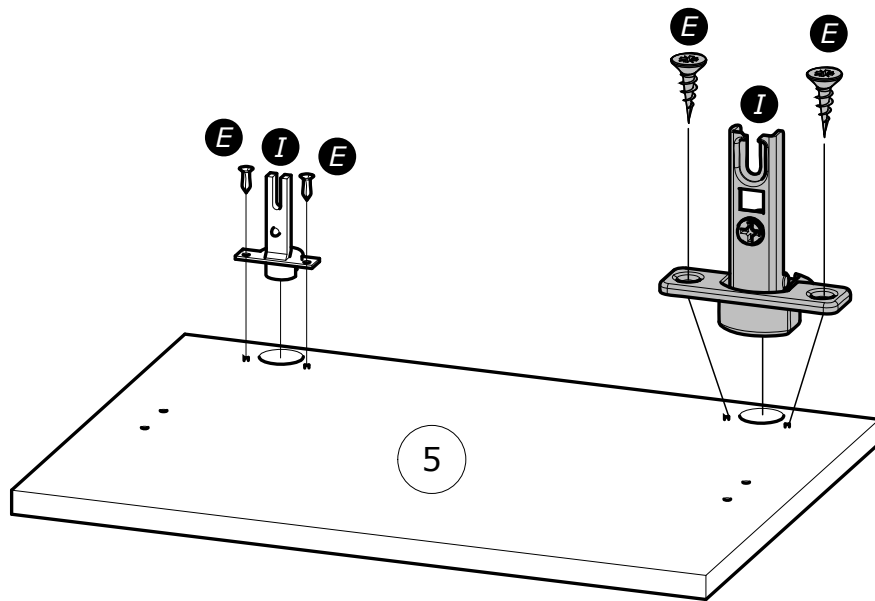
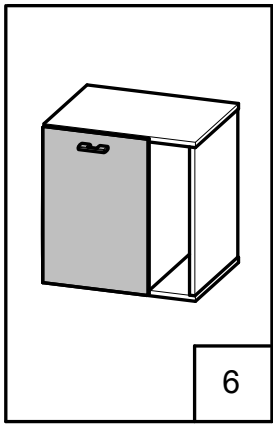
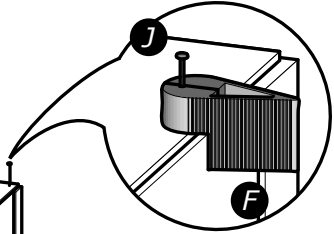
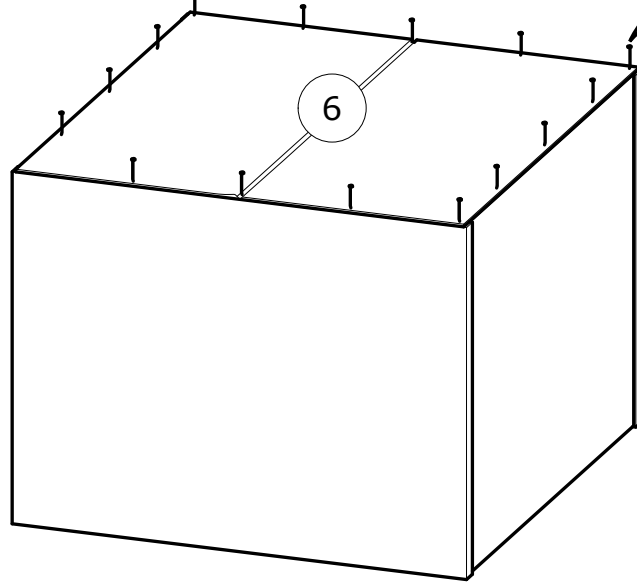
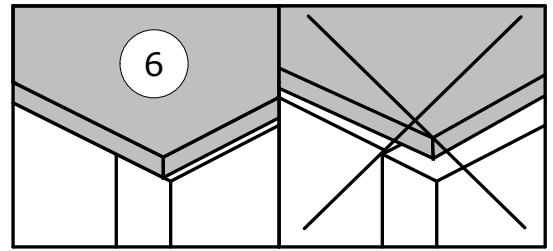
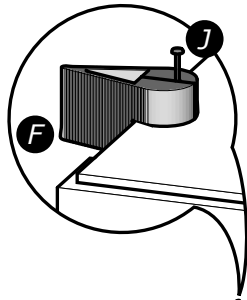
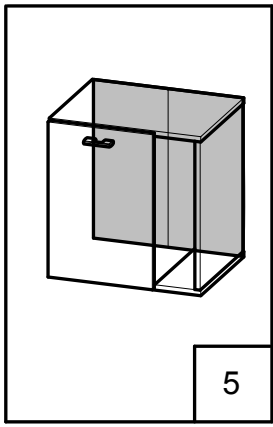


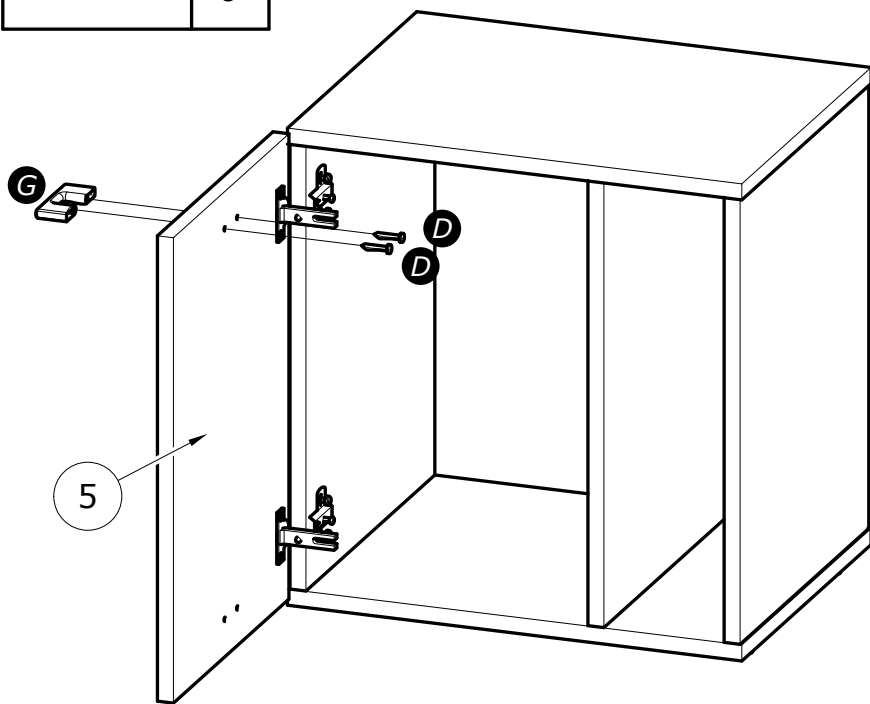
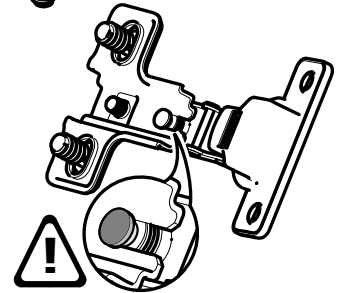
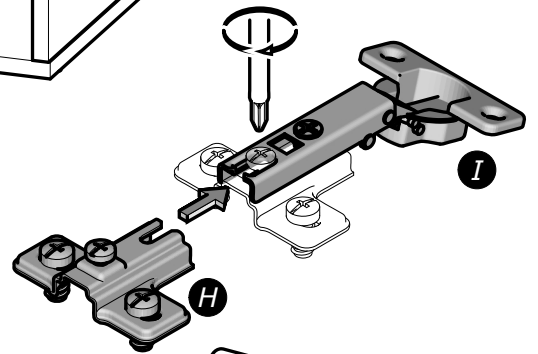
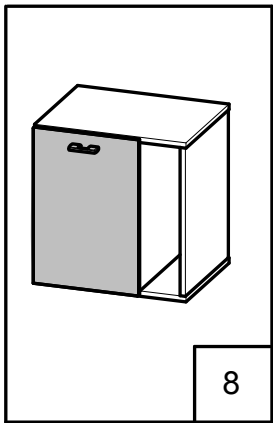
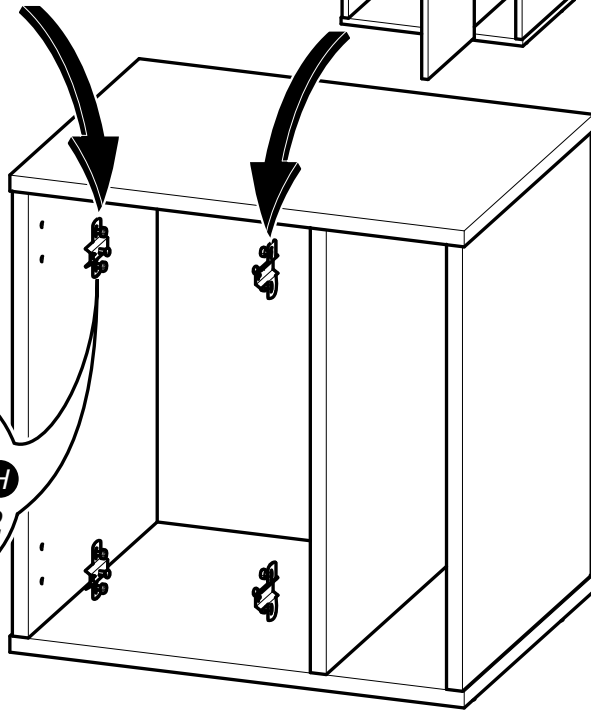
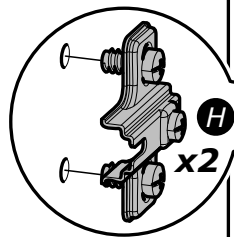
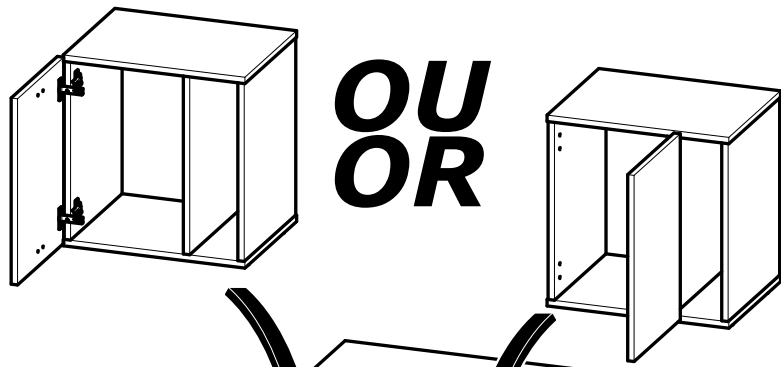
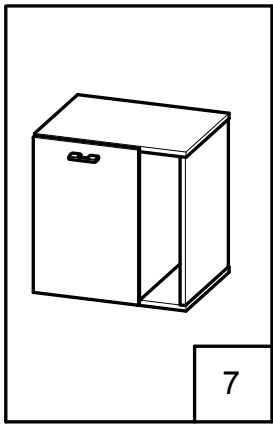


N°	Dim. (mm)	Qty.
1	416x 328	x2
2	416x 328	x1
3	427x 329	x1
4	427x 329	x1
5	435x 294	x1
6	444x 421	x1









**OU
OR**

