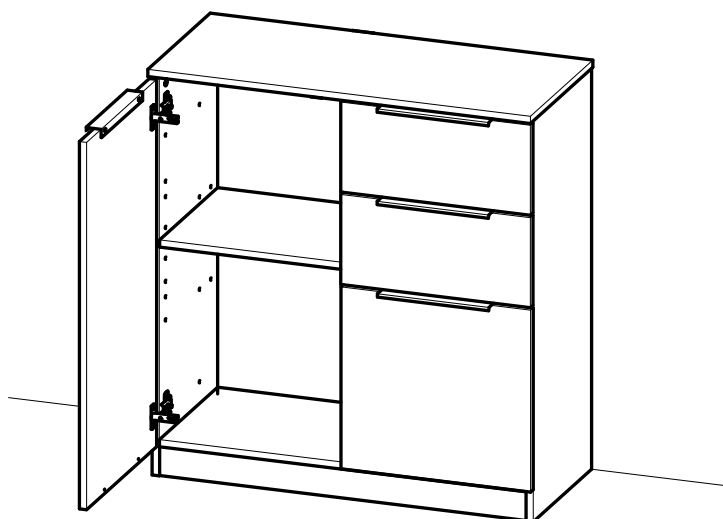
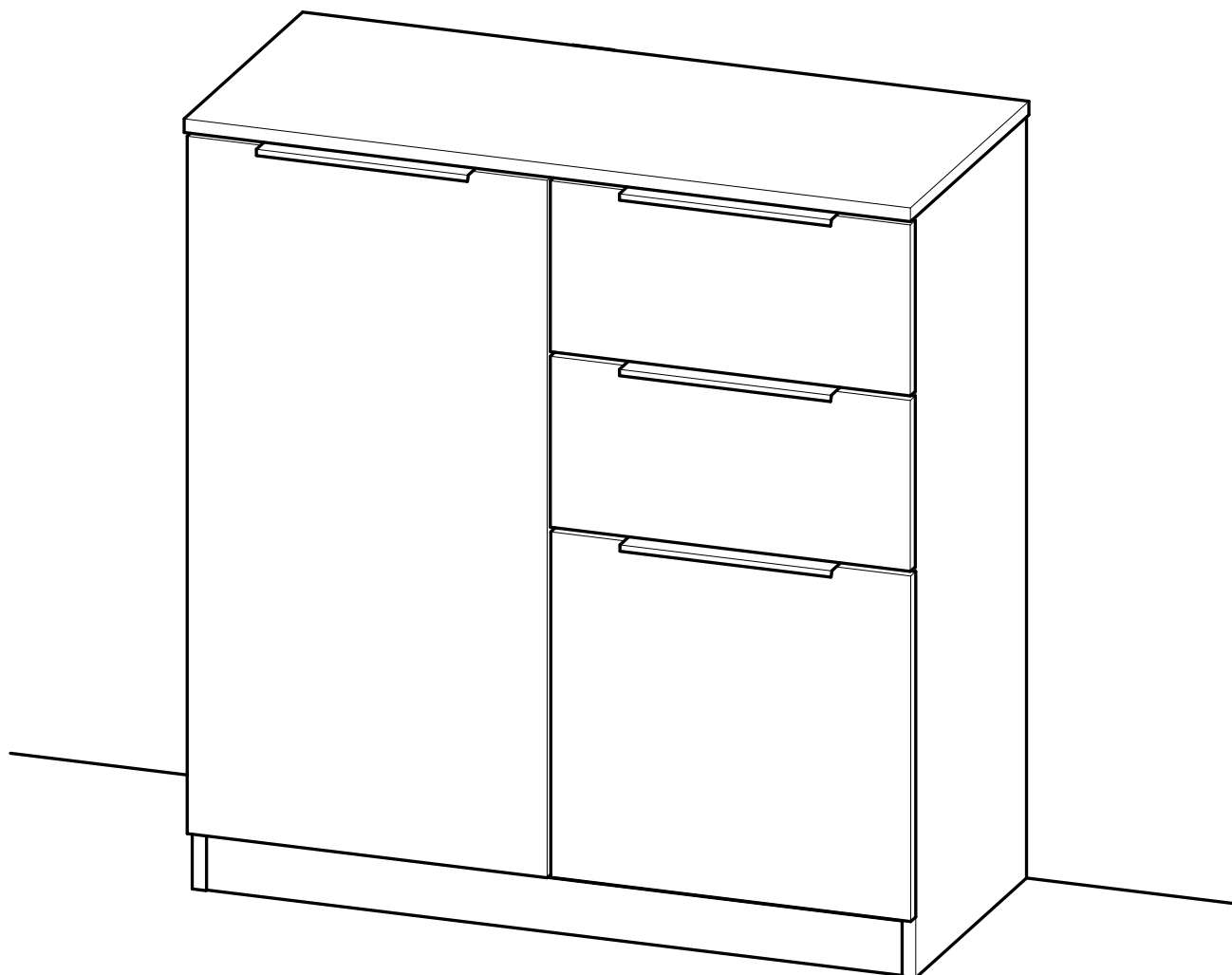
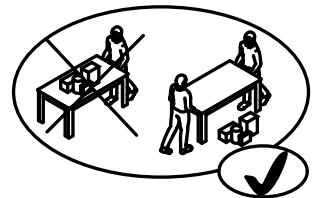
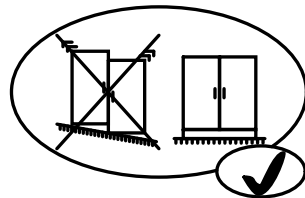
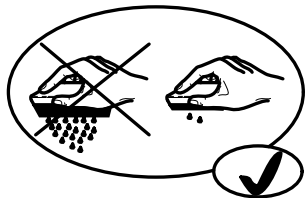
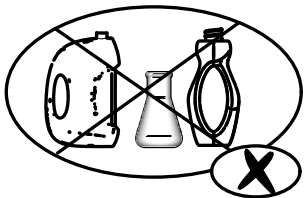
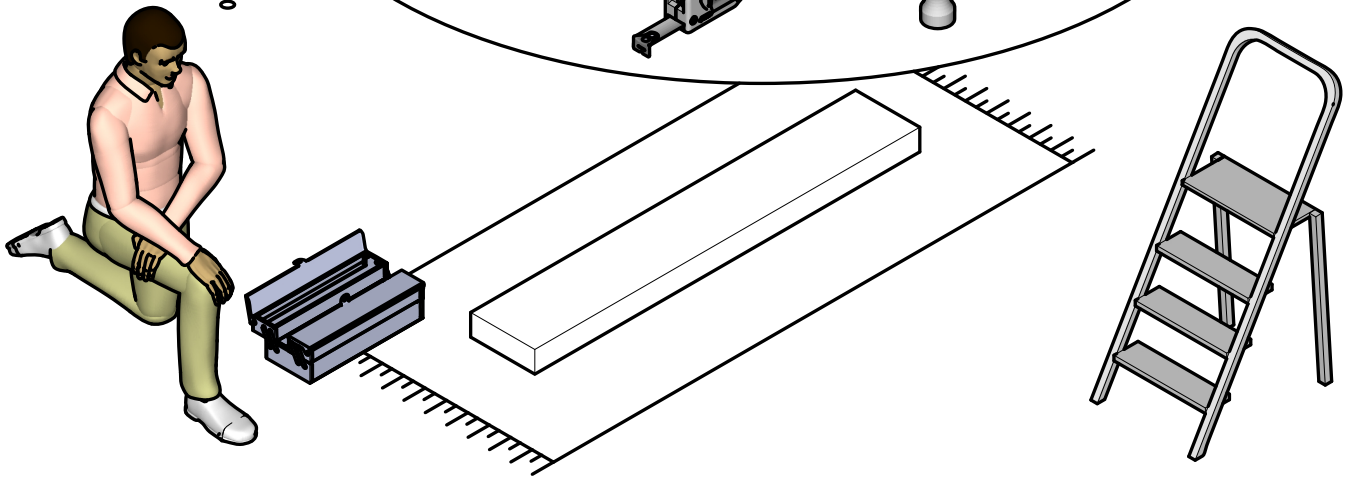
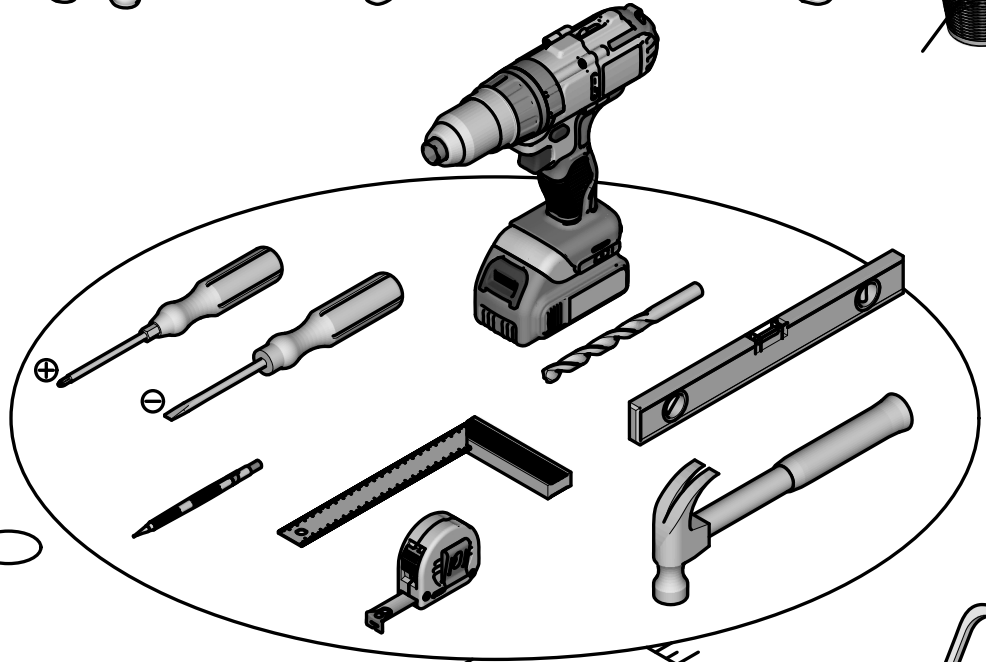
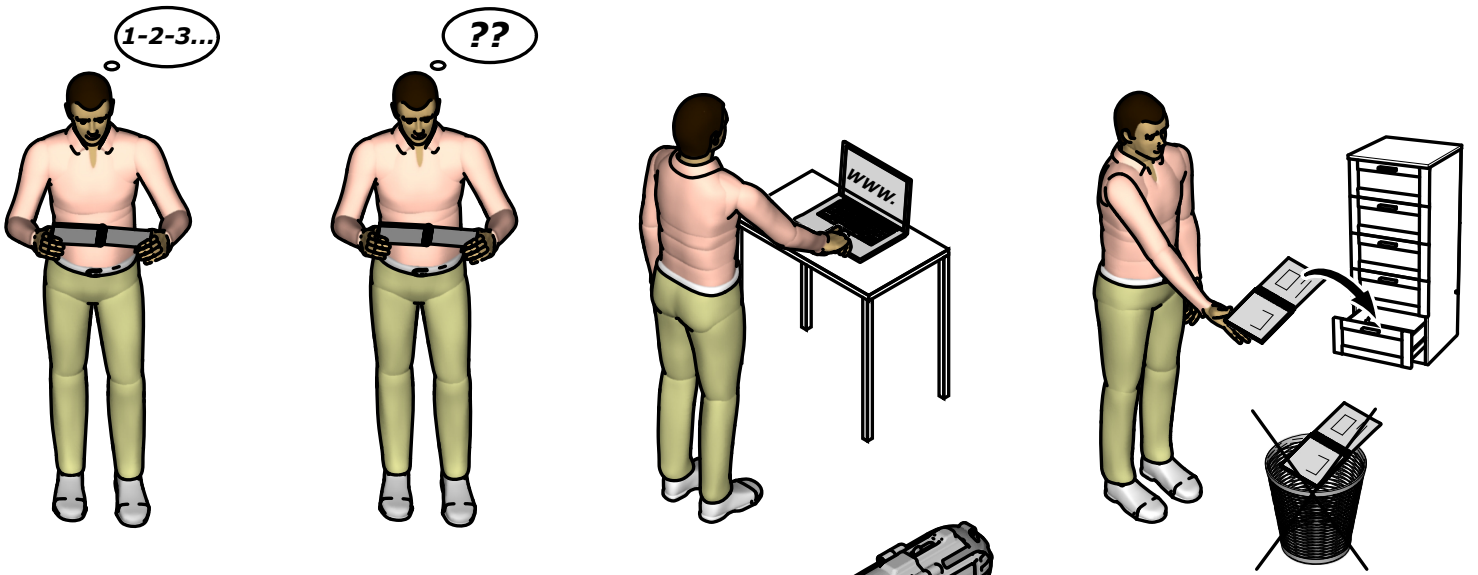
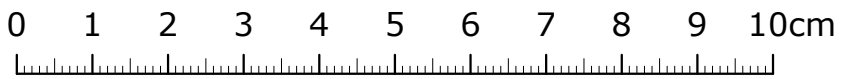
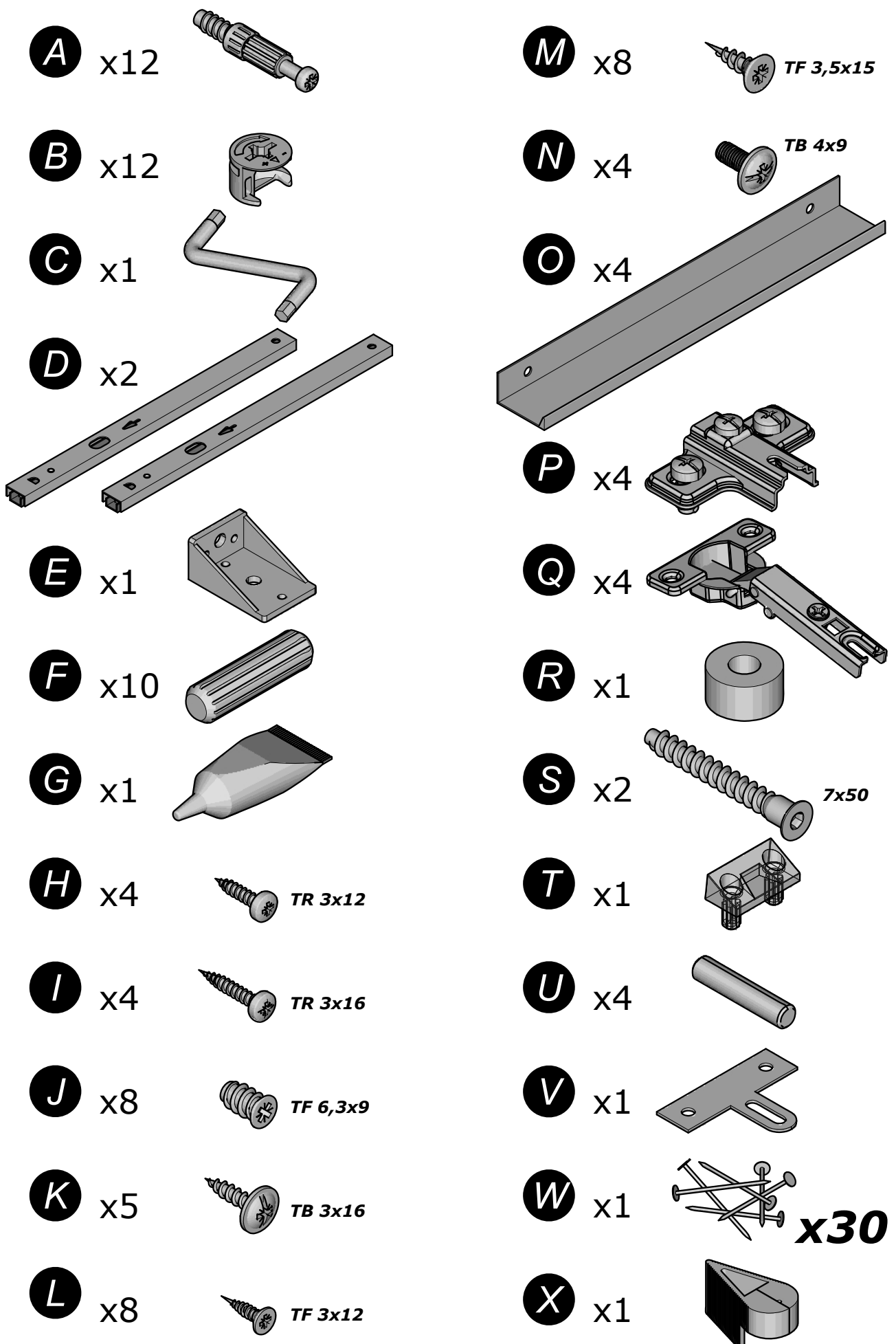


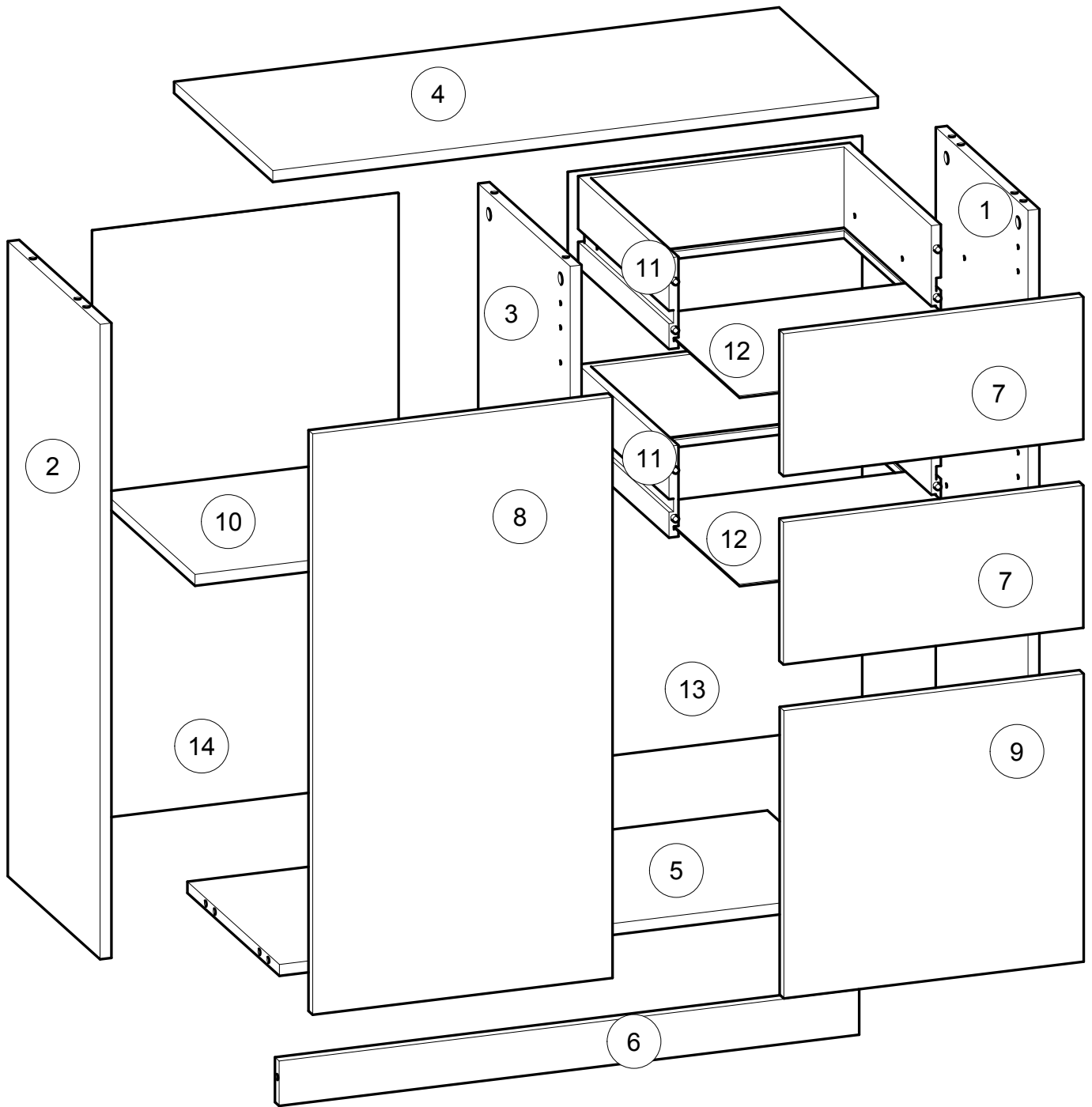
"Chest"

401 951-00
250 531-00
264 774-00

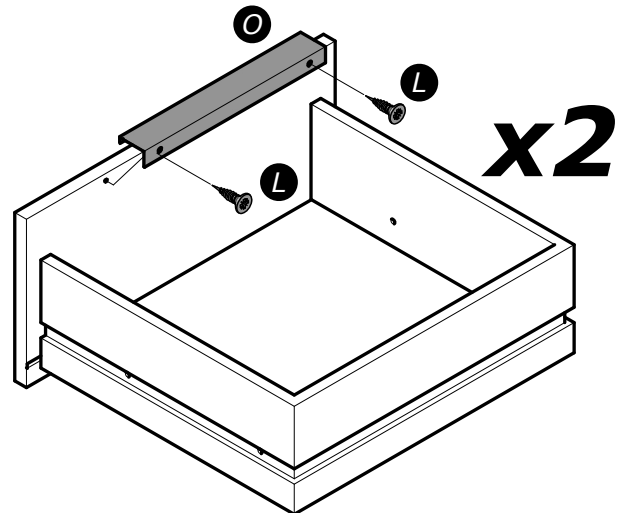
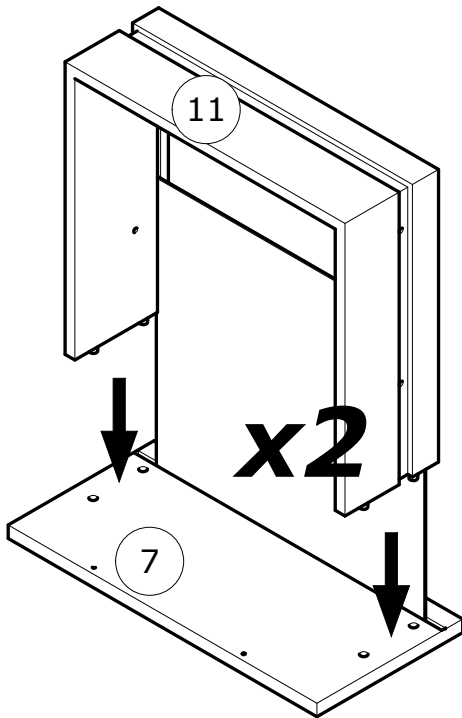
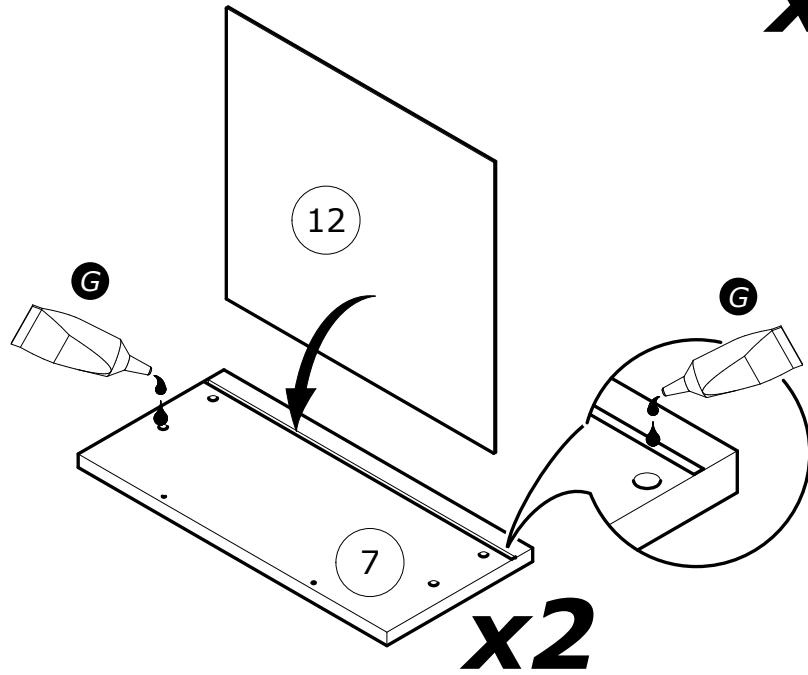
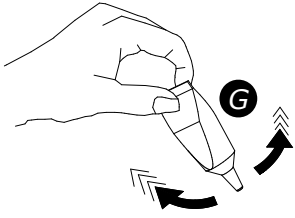
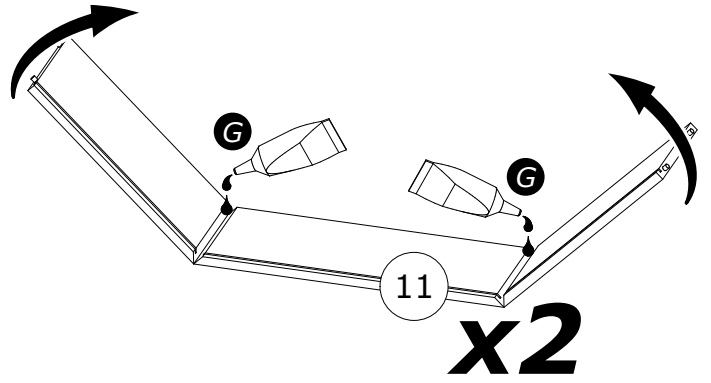
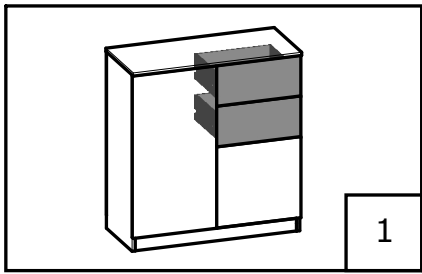


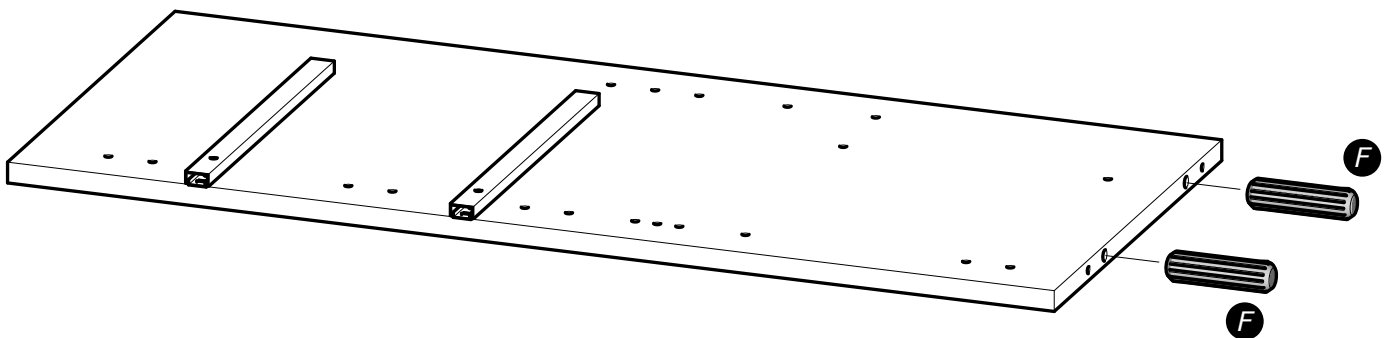
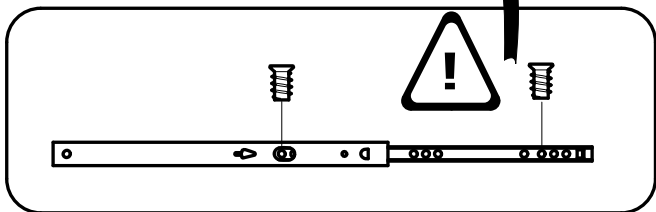
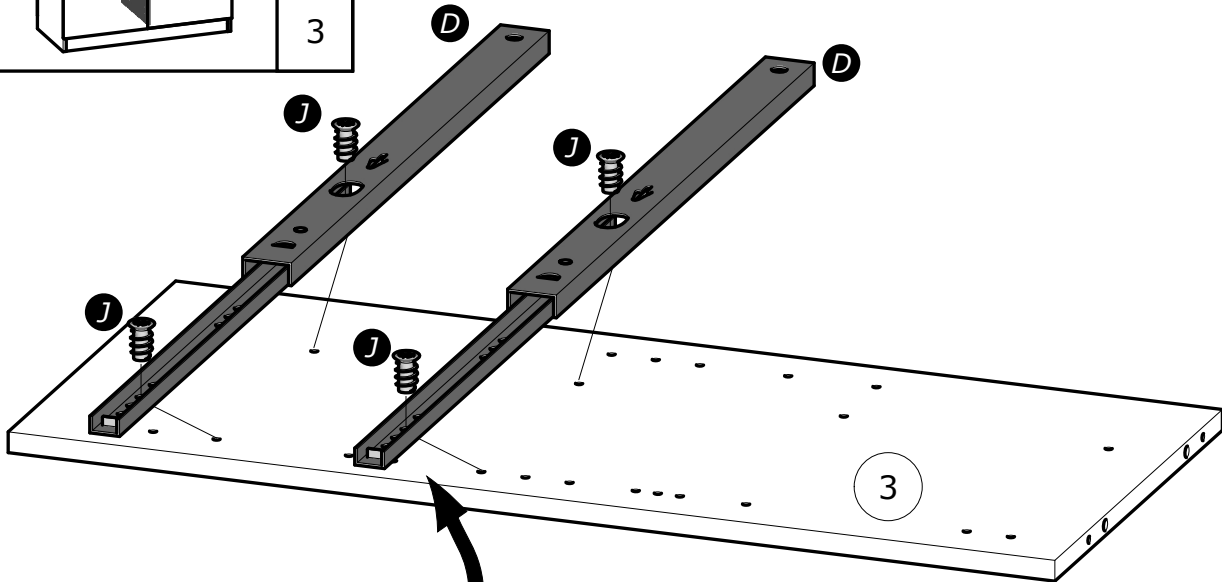
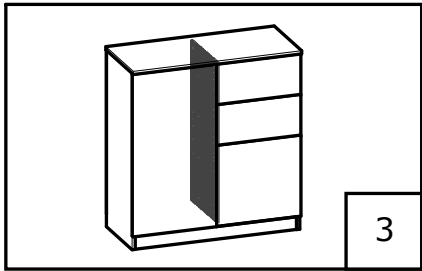
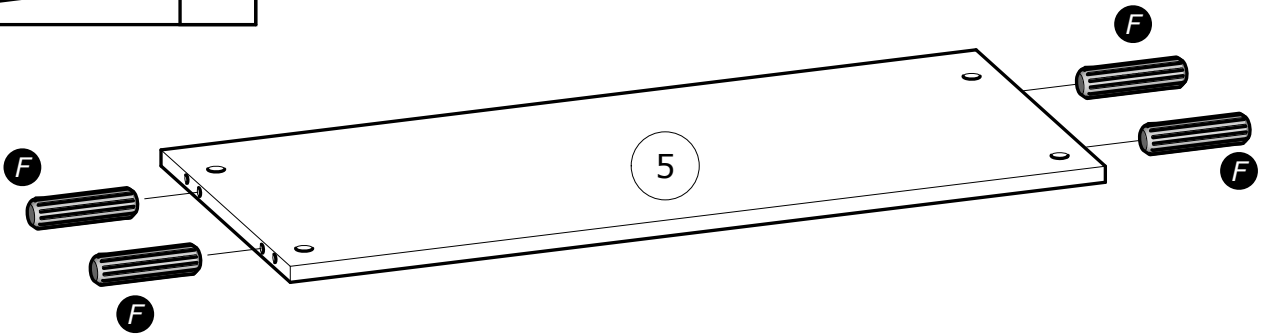
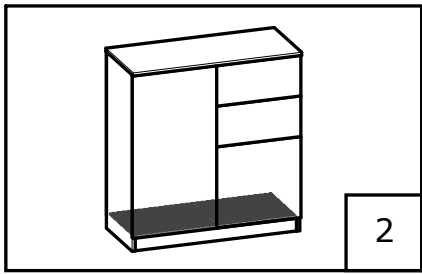


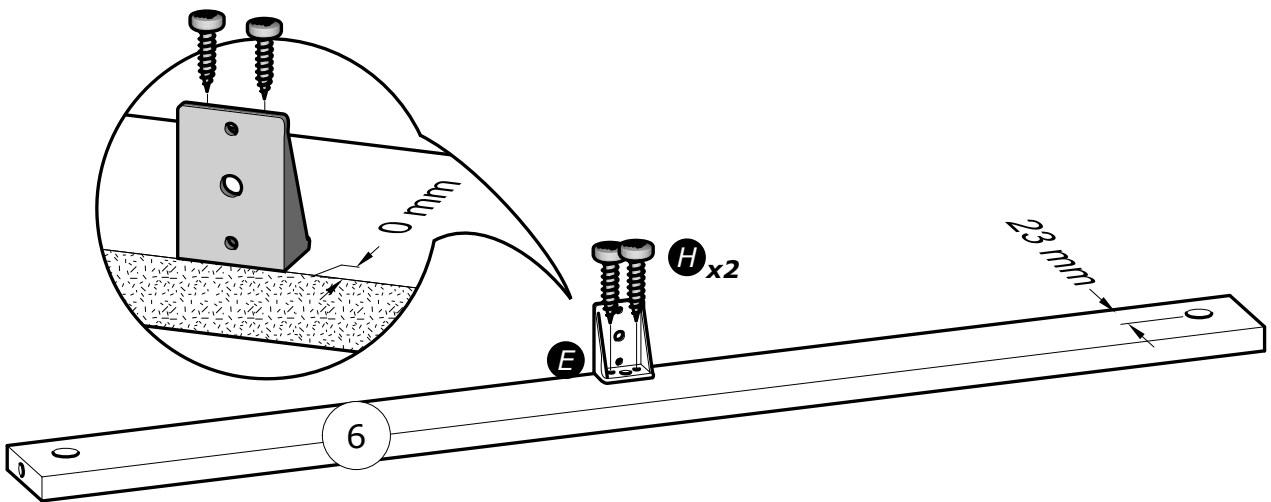
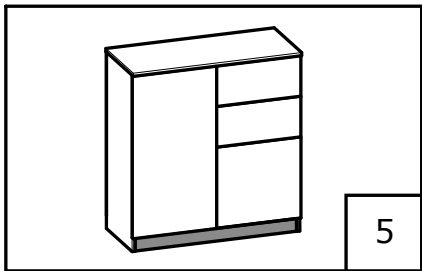
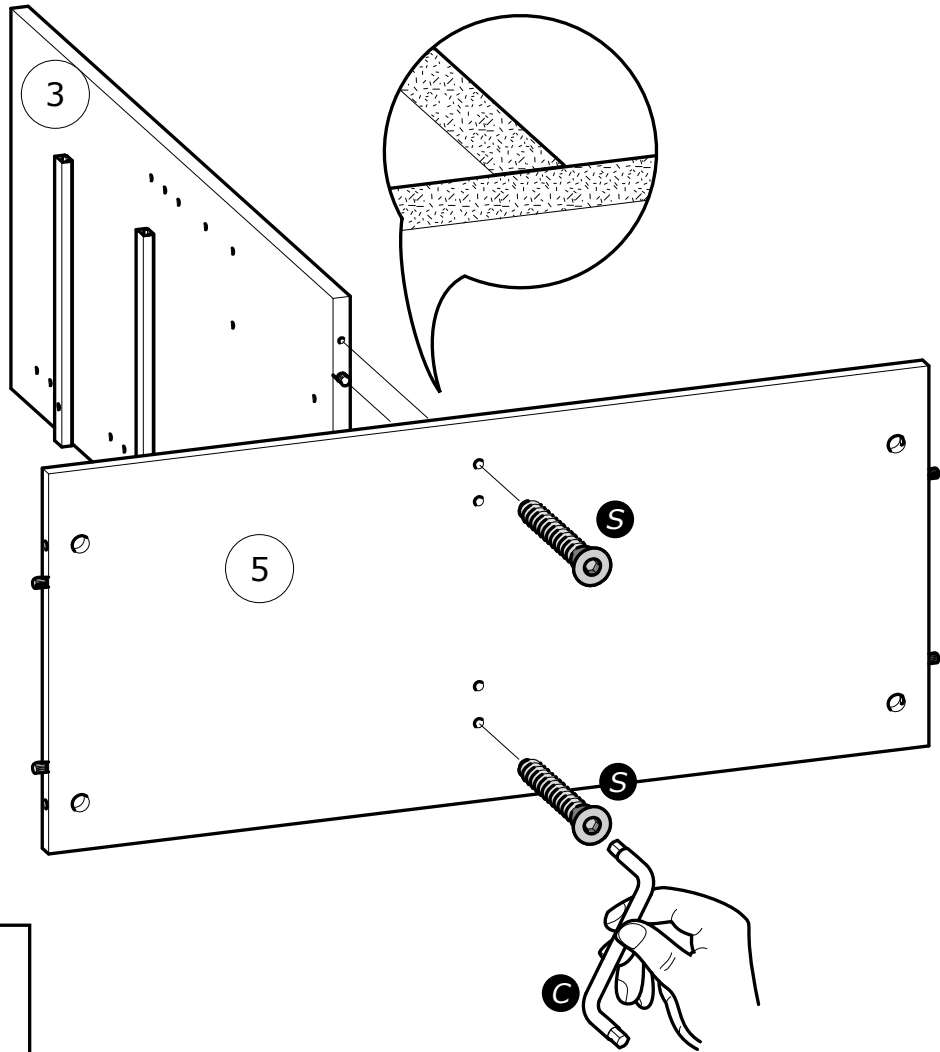
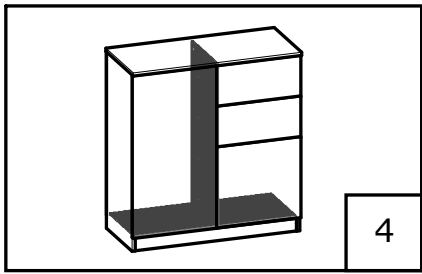


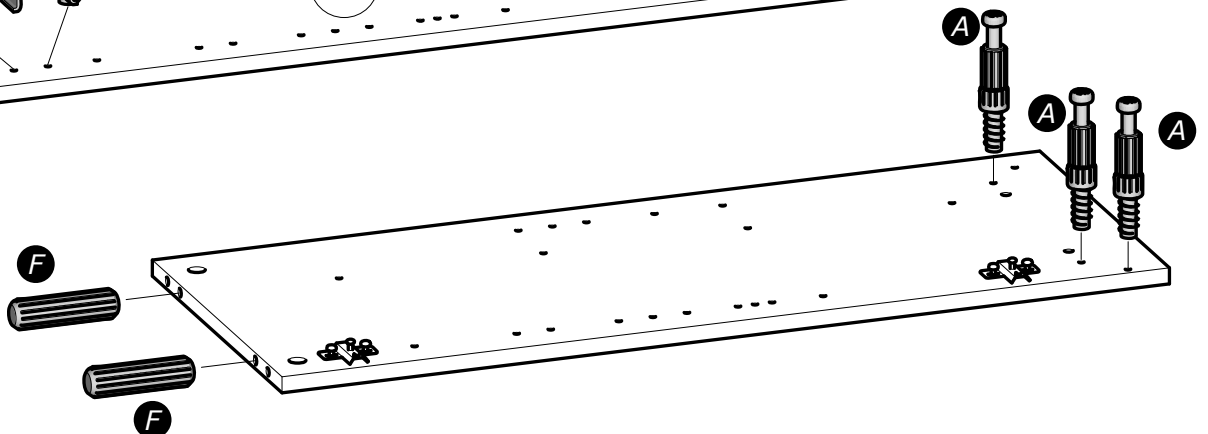
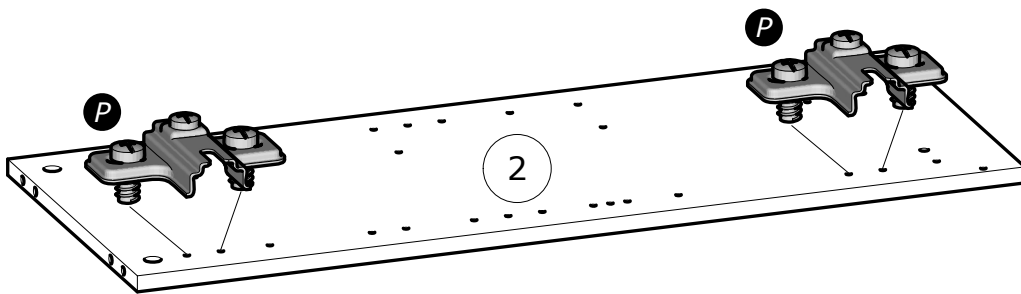
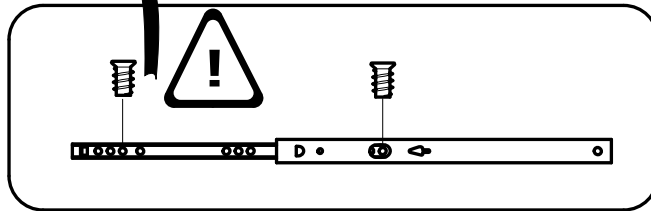
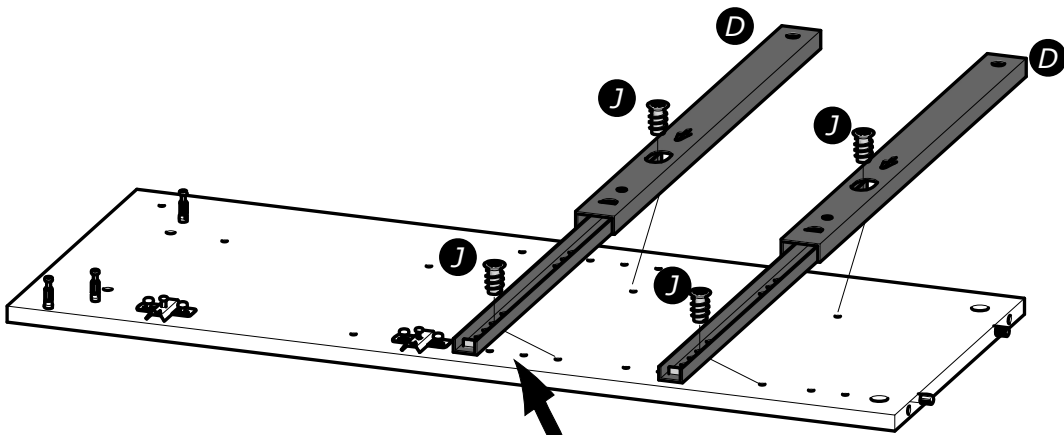
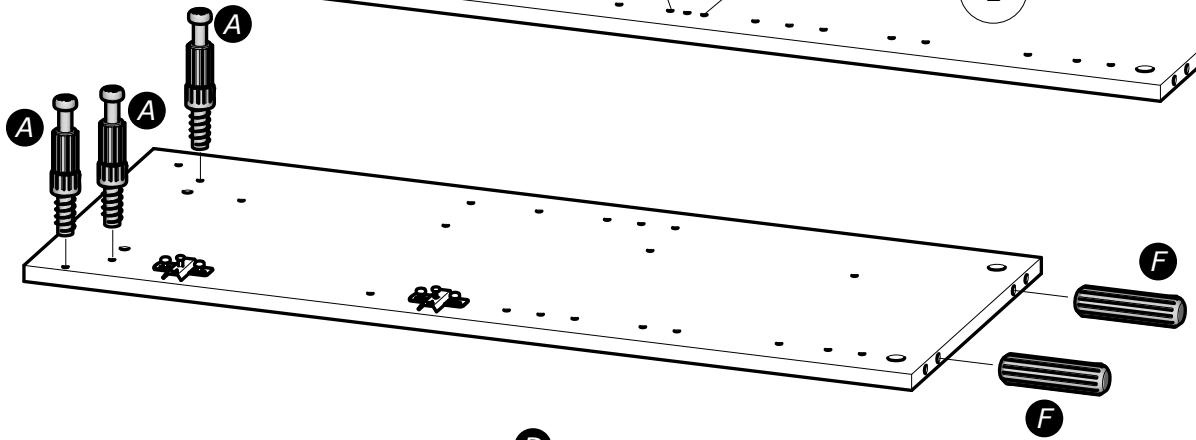
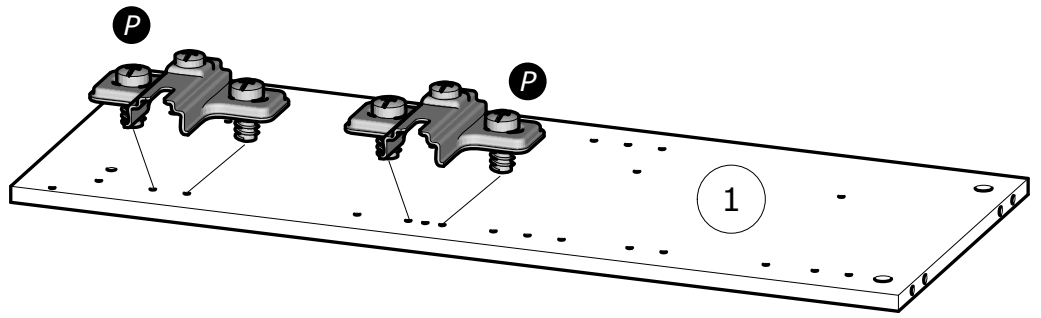
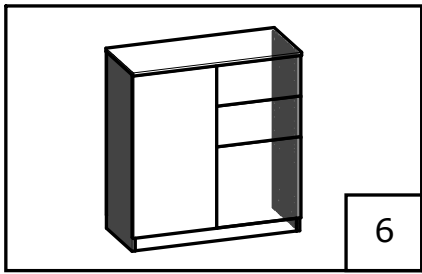


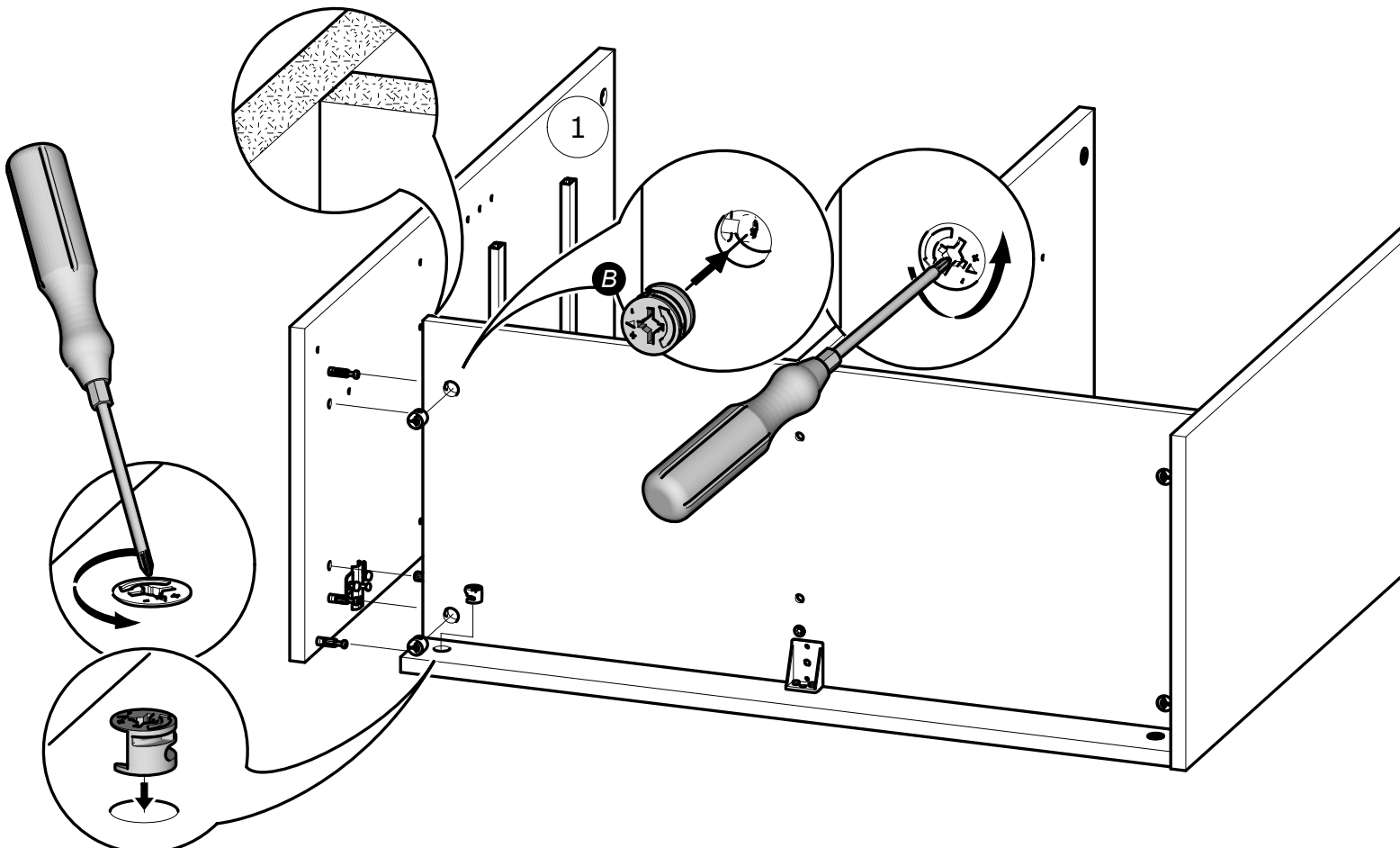
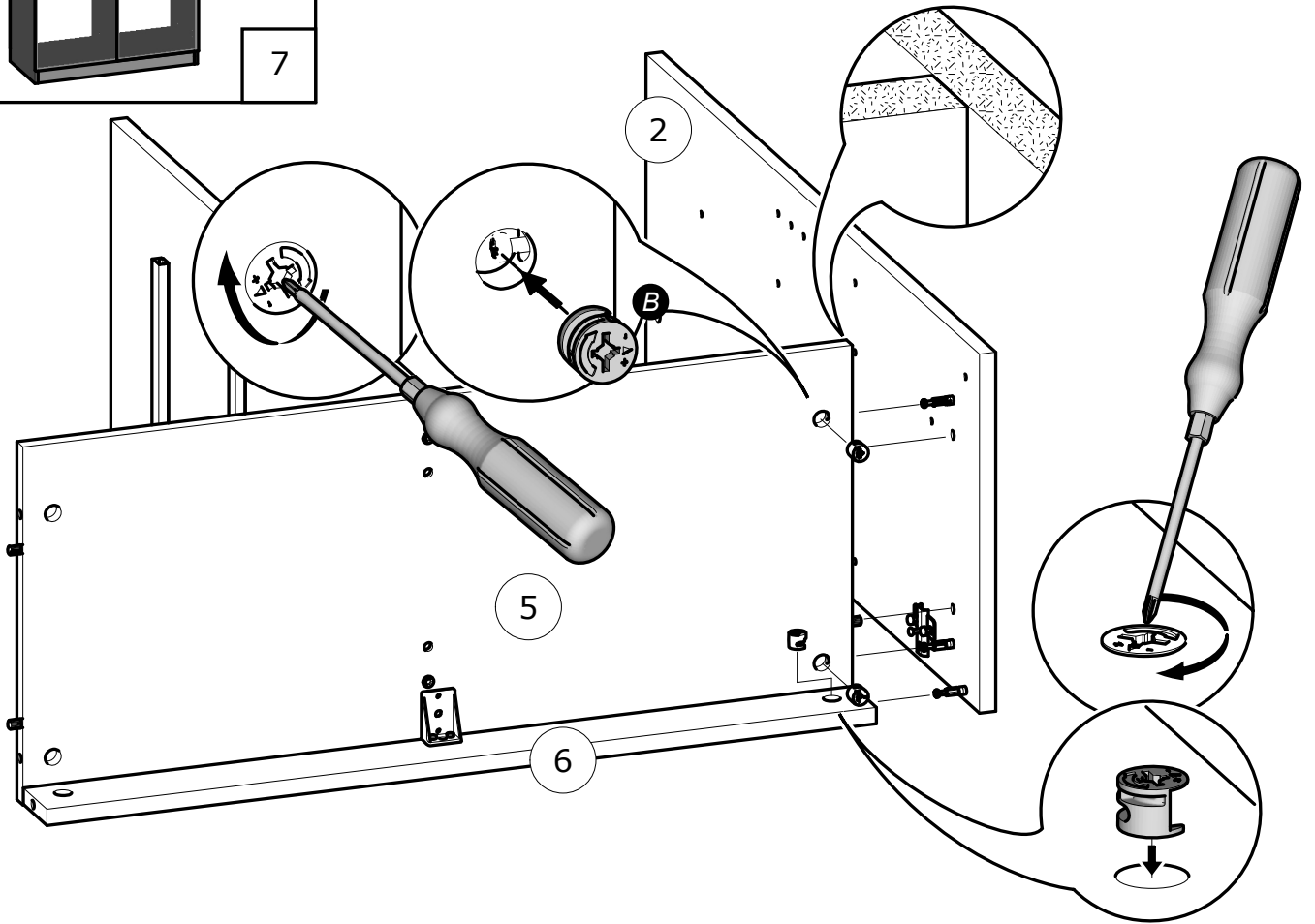
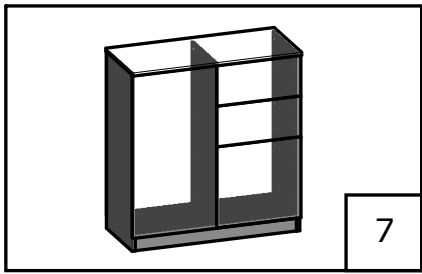
N°	Dim. (mm)	Qty.	N°	Dim. (mm)	Qty.
1	834x 330	x1	8	763x 396	x1
2	834x 330	x1	9	378x 396	x1
3	759x 329	x1	10	384x 328	x1
4	799x 353	x1	11	325x 359	x2
5	766x 329	x1	12	343x 323	x2
6	766x 59	x1	13	773x 388	x1
7	396x 187	x2	14	773x 404	x1

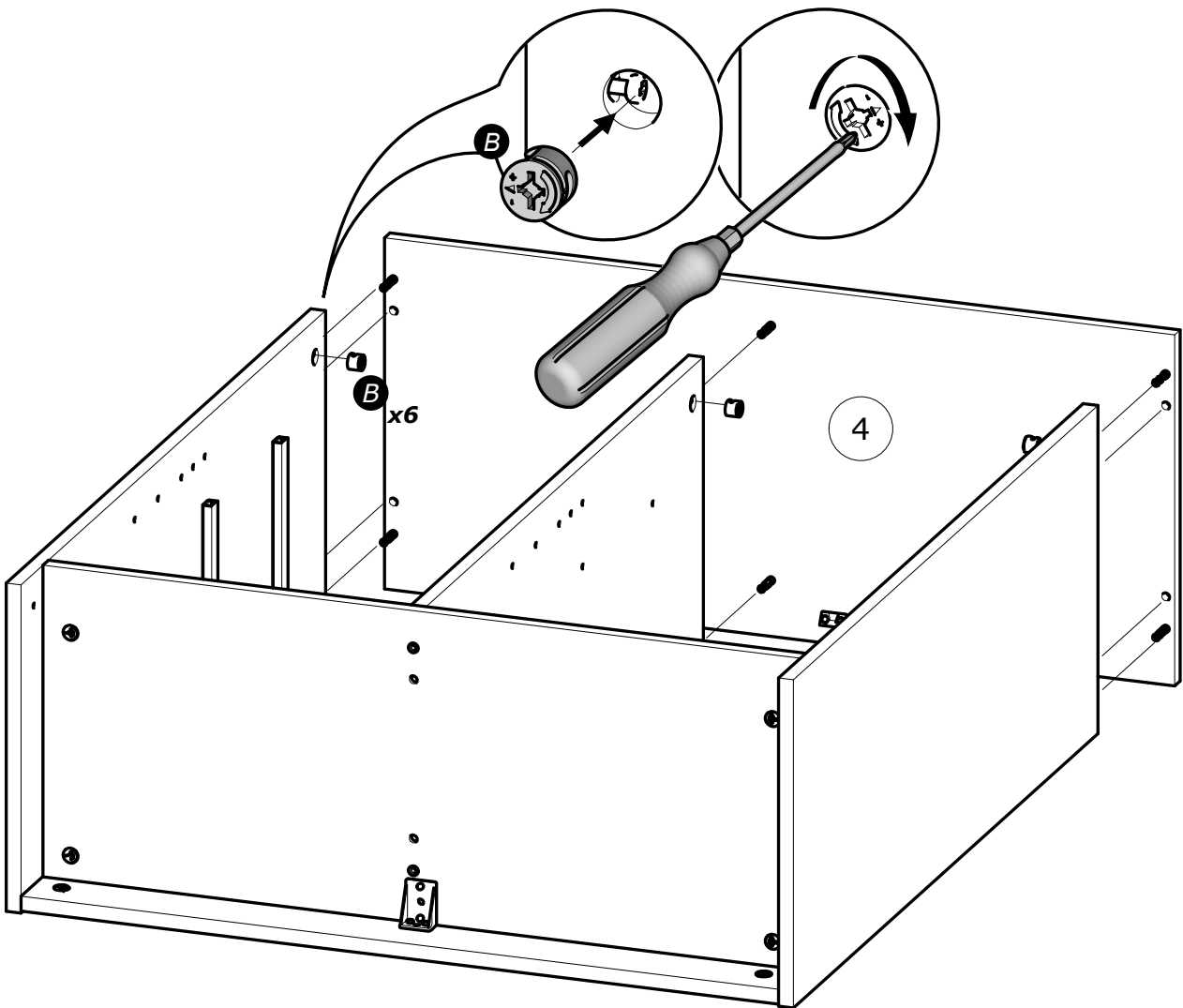
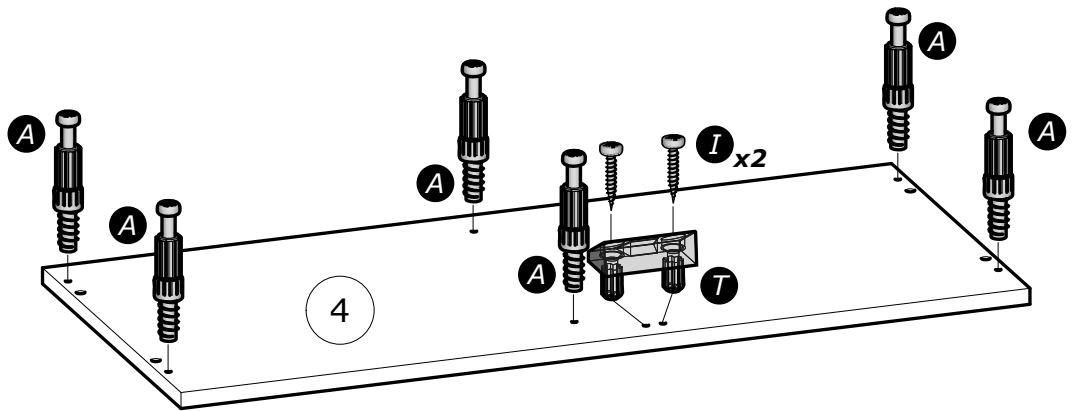
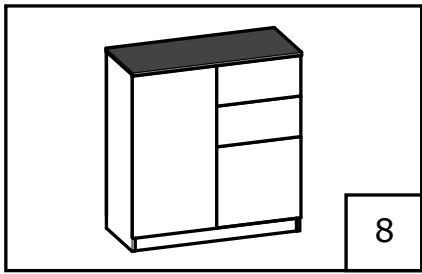


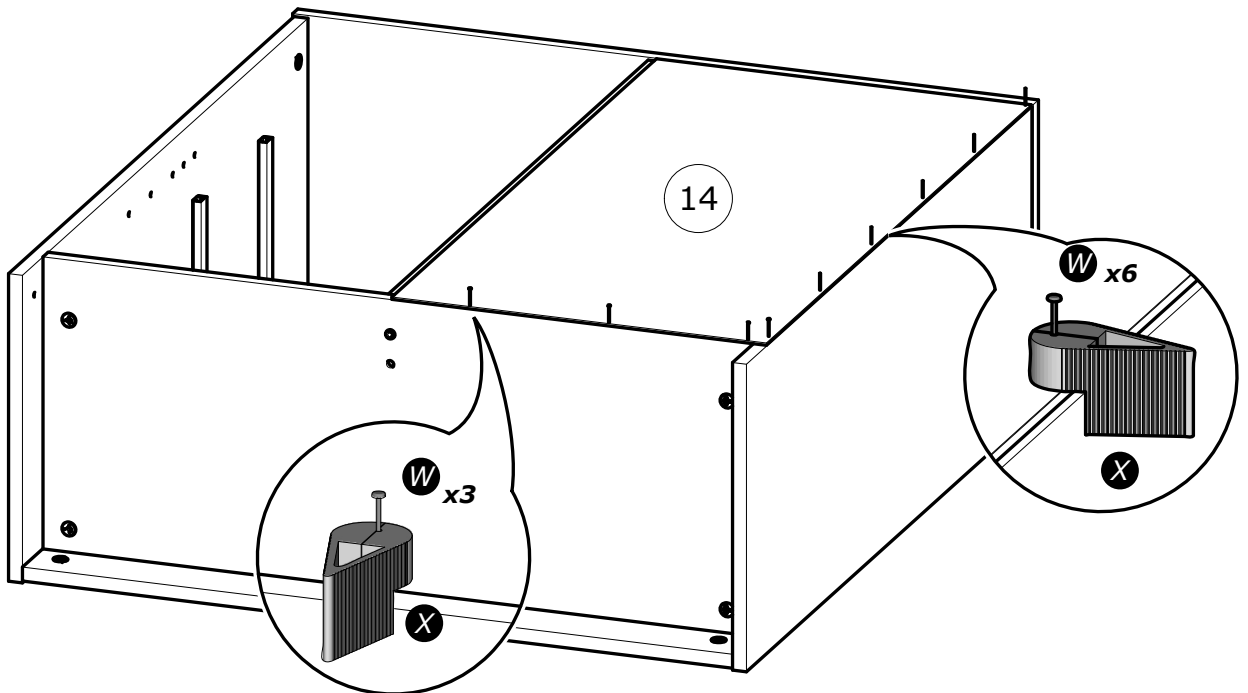
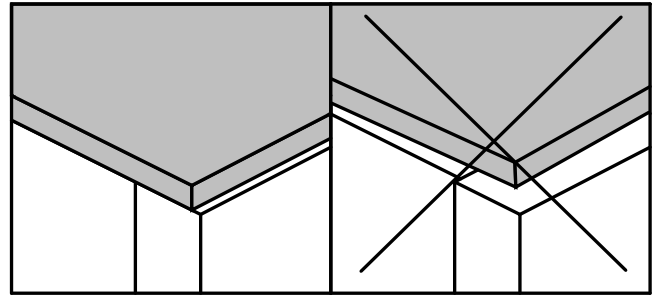
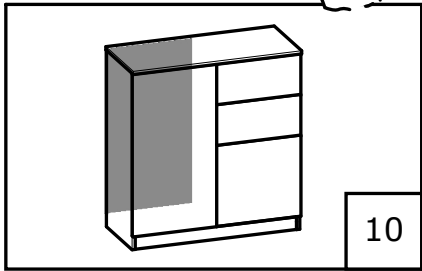
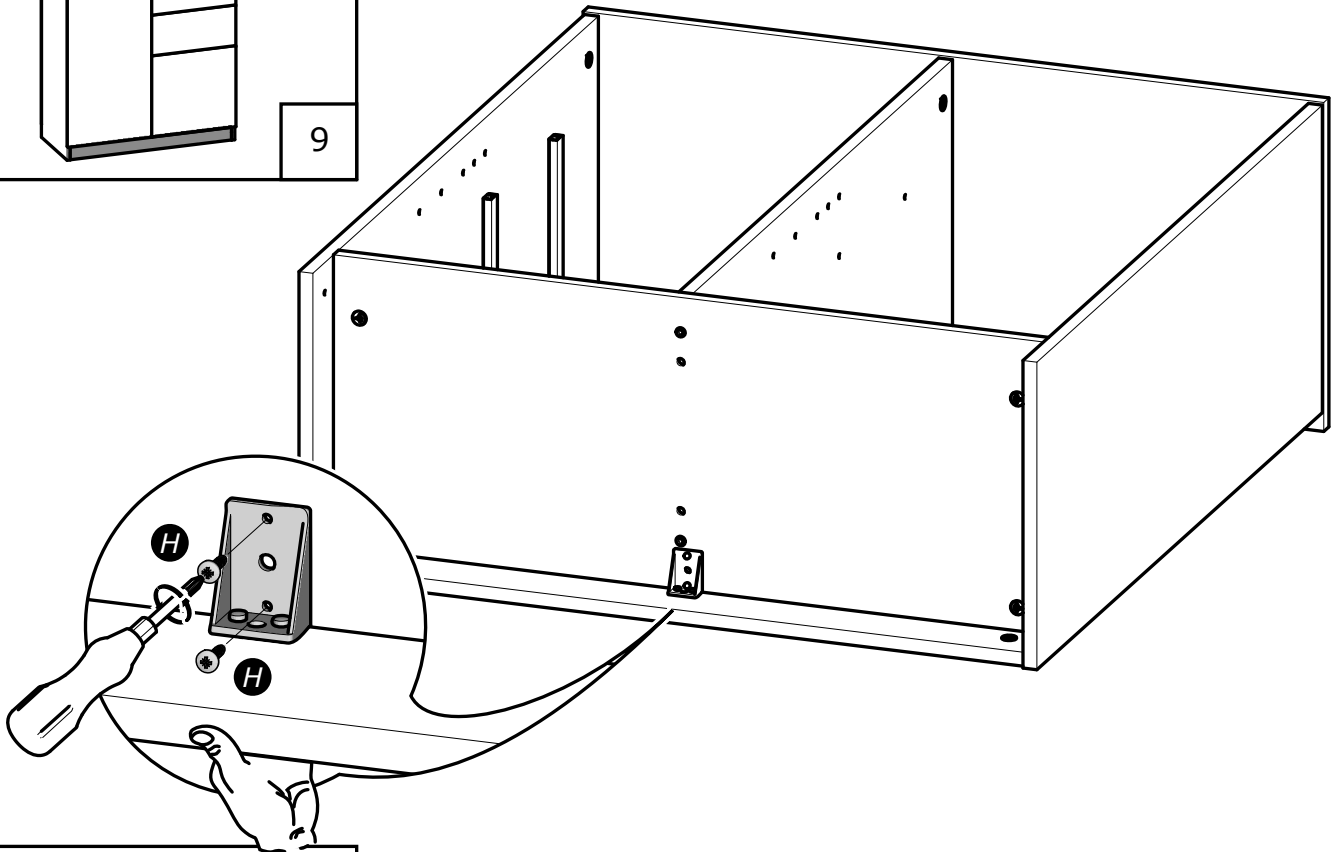
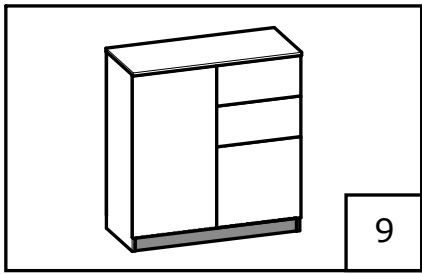


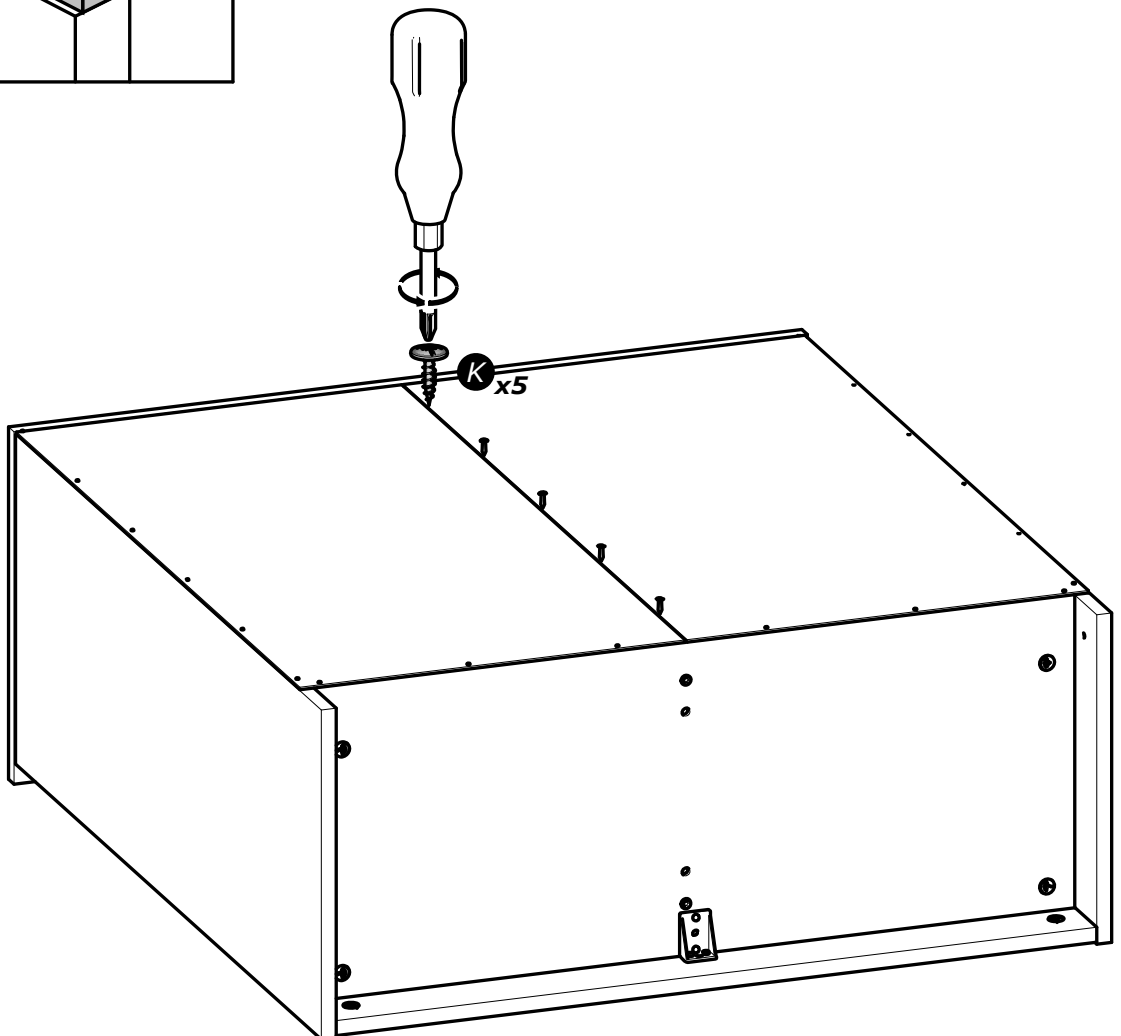
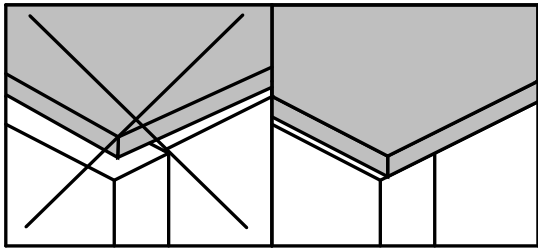
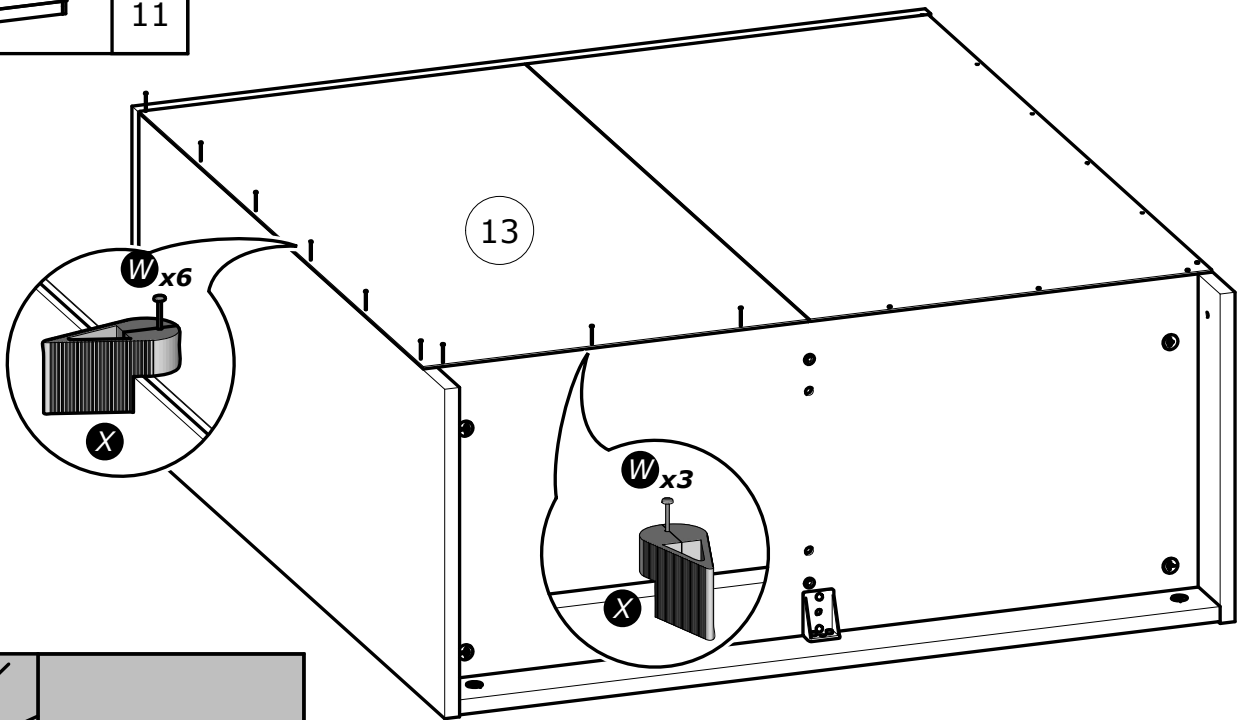
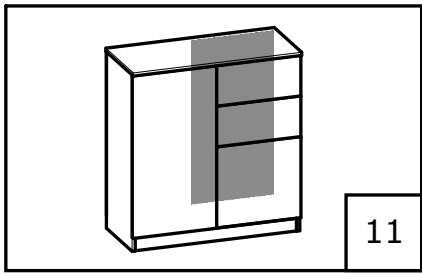


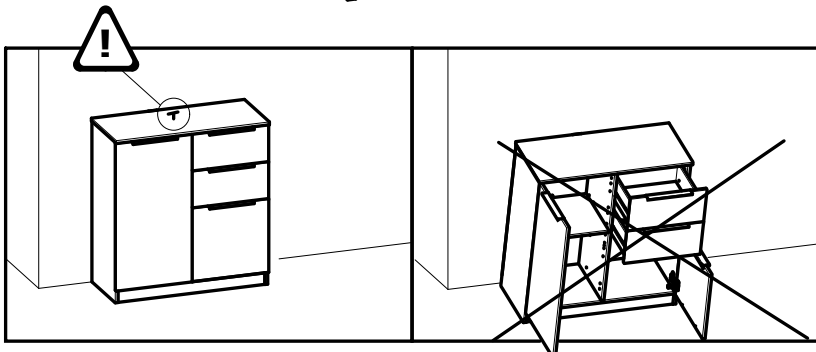
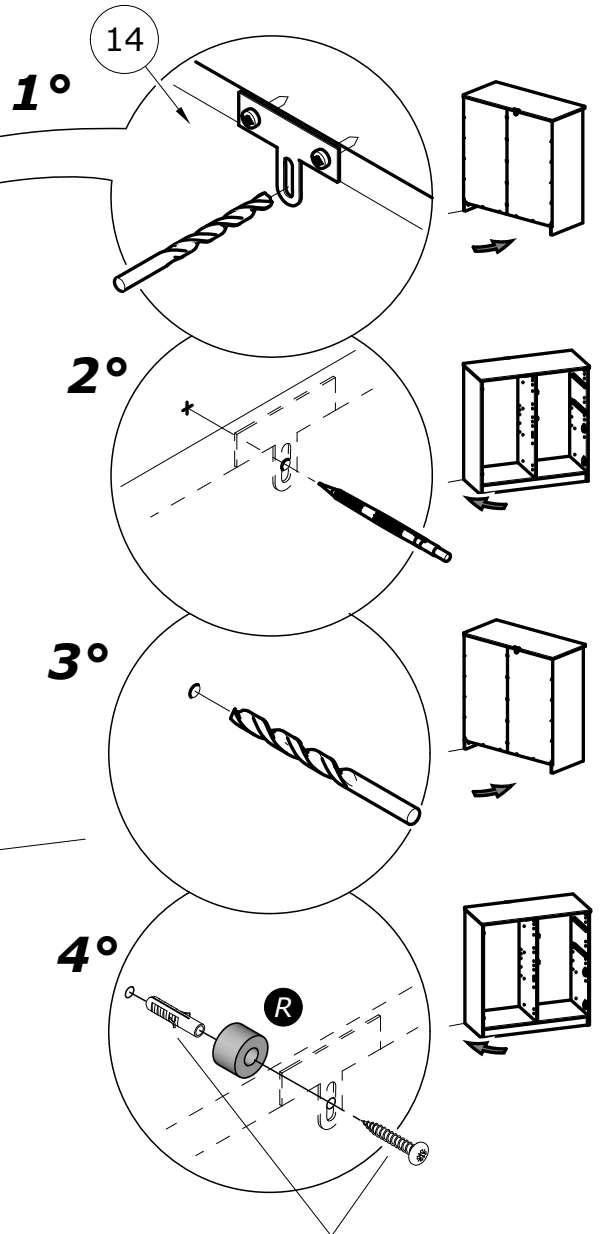
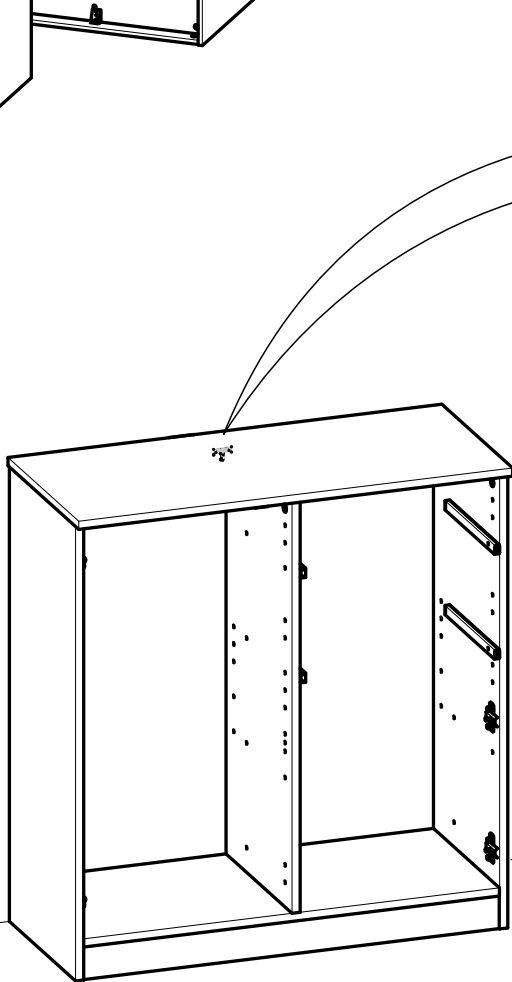
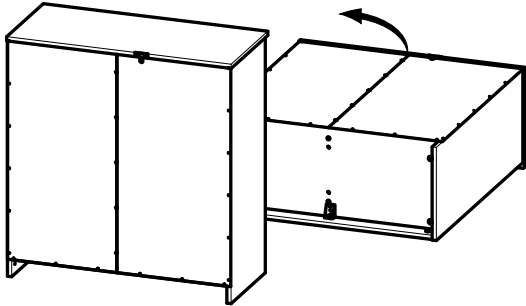
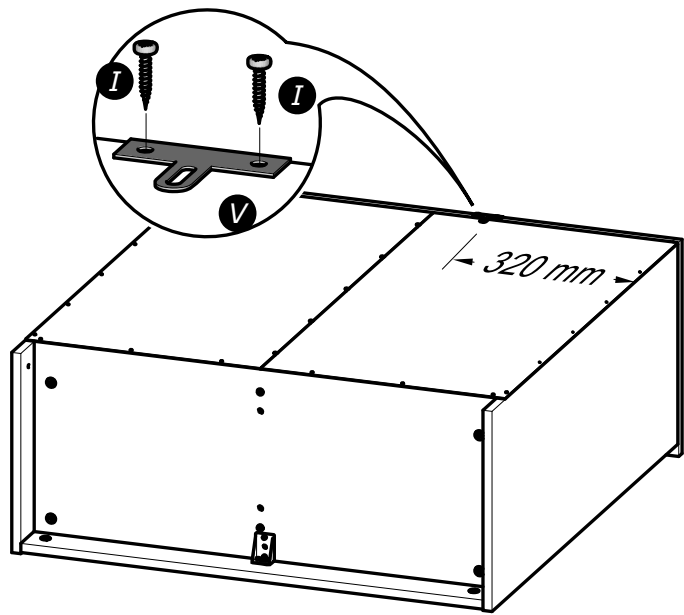
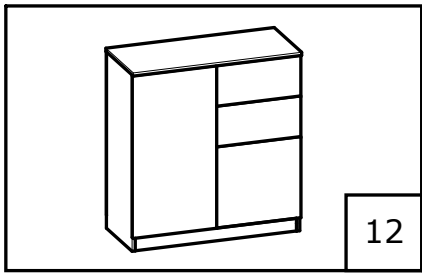












NON INCLUS
Not Supplied

