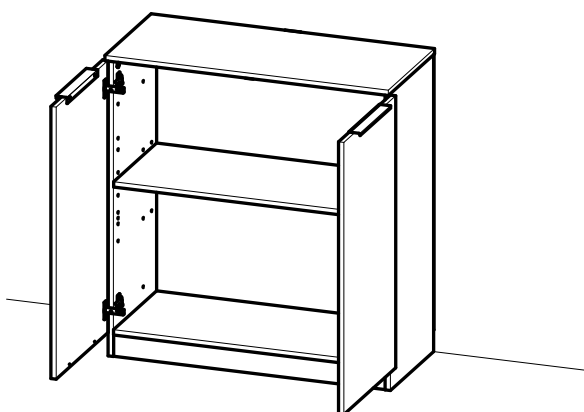
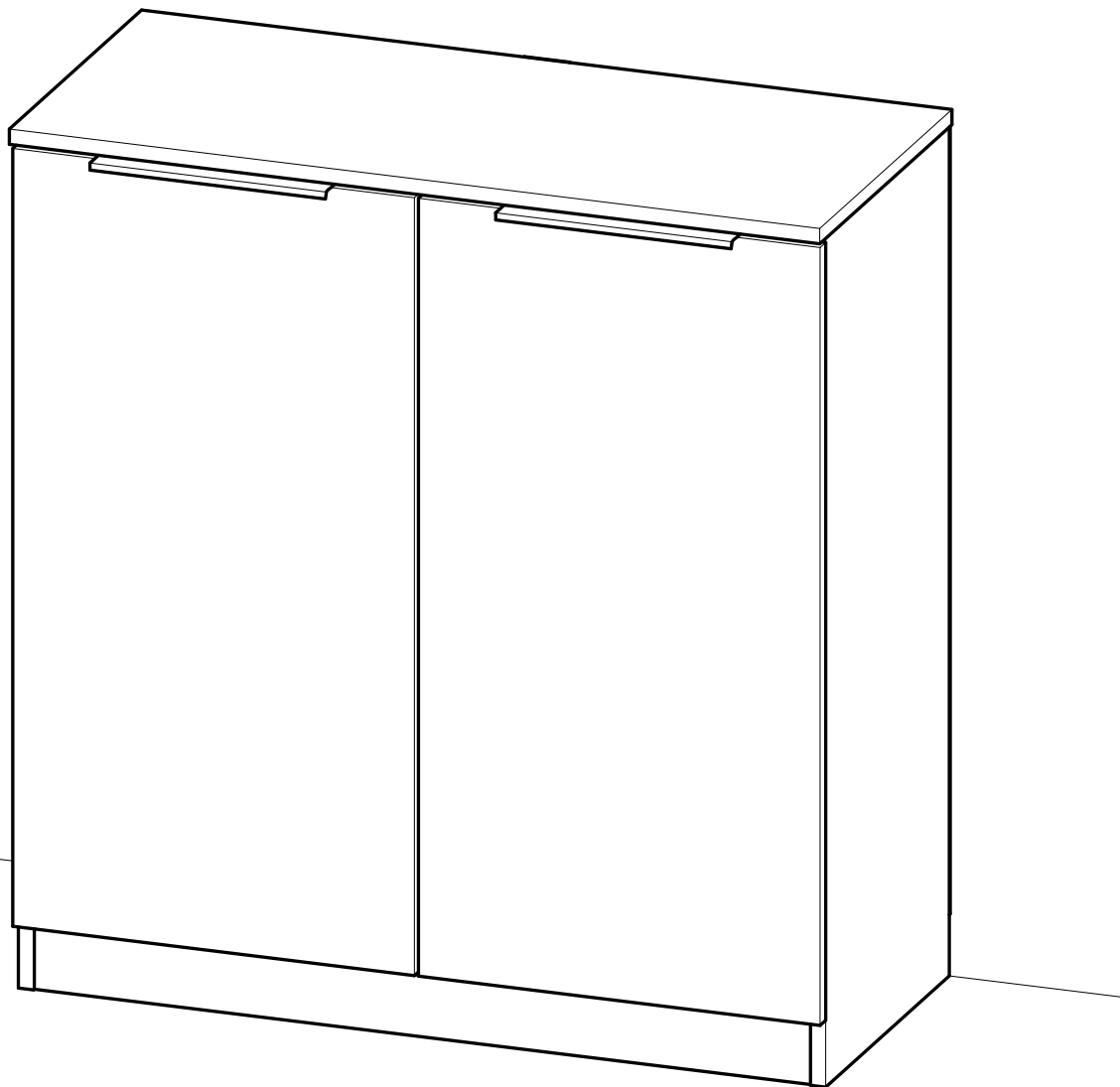
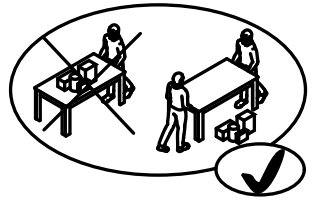
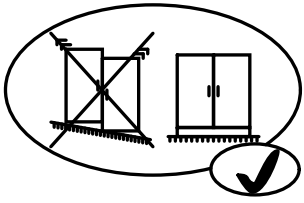
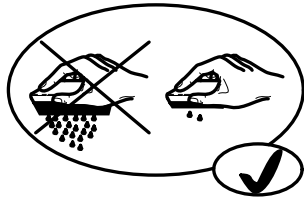
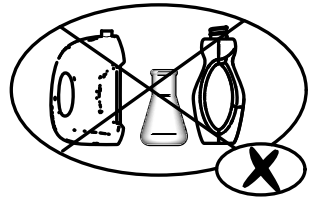
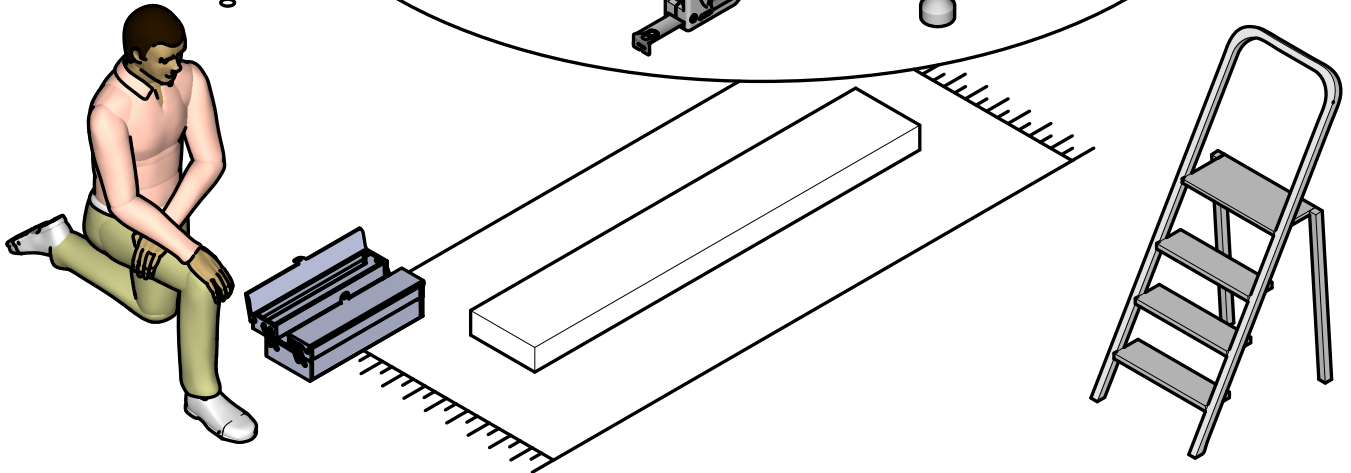
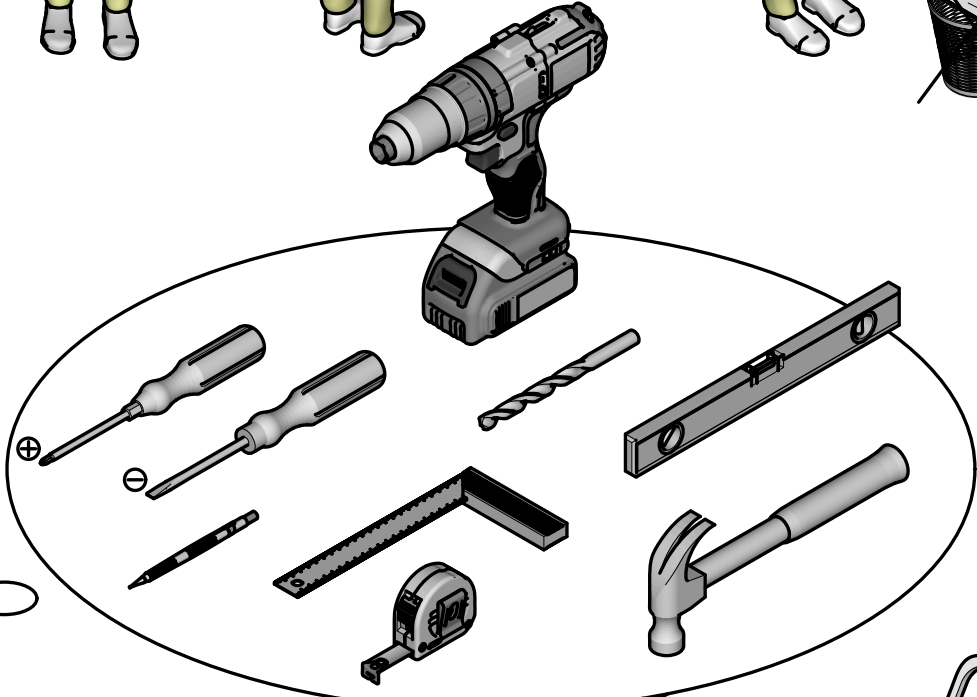
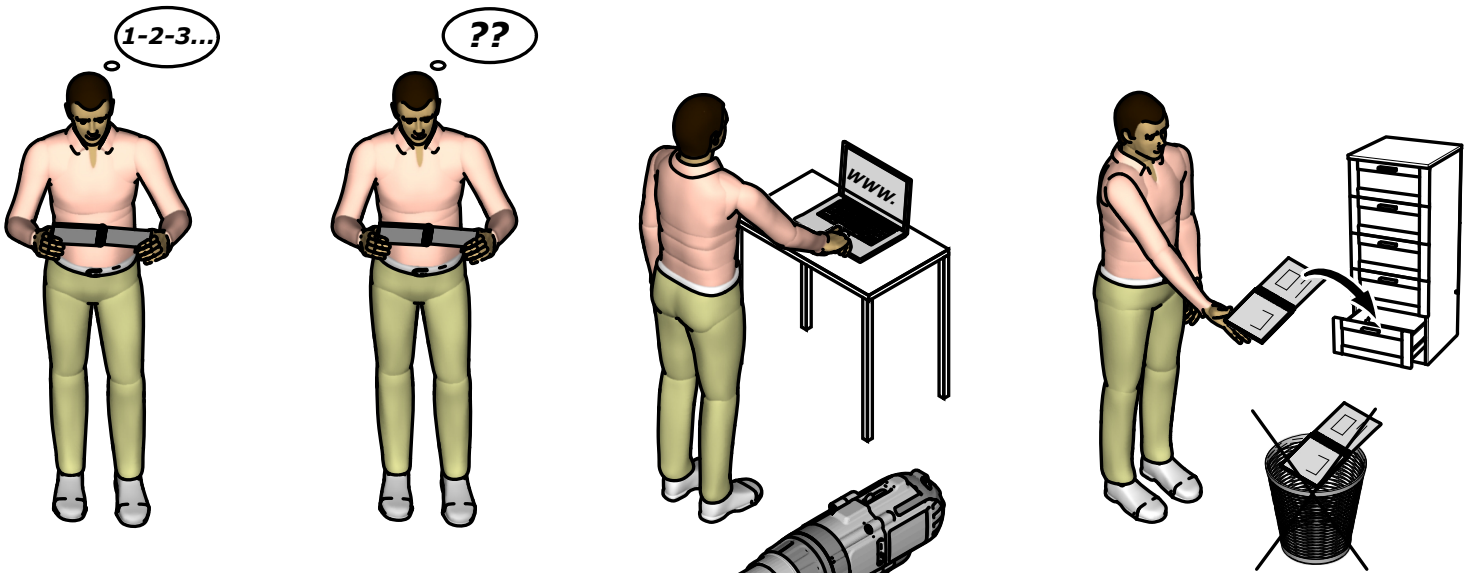


"Chest"

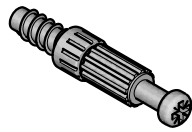
401 948-00
250 528-00
264 771-00







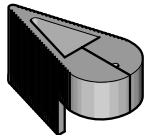
A x10



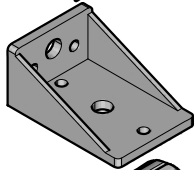
B x10



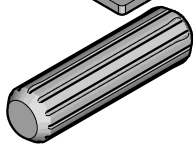
C x1



D x1



E x8



F x6



TR 3x12

G x4



TR 3x16

H x4



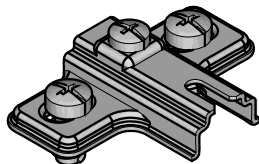
TF 3x12

I x8

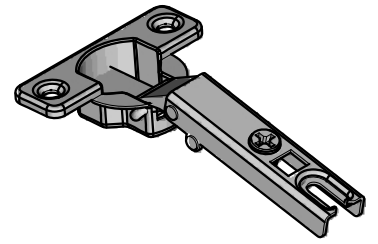


TF 3.5x15

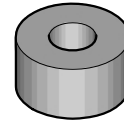
J x4



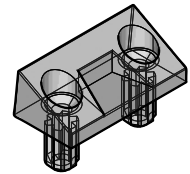
K x4



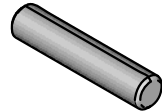
L x1



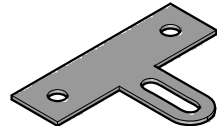
M x1



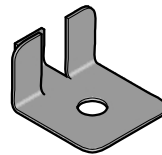
N x4



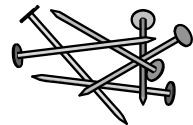
O x1



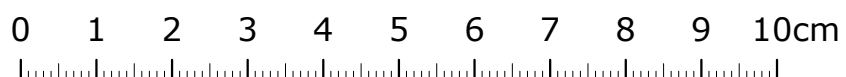
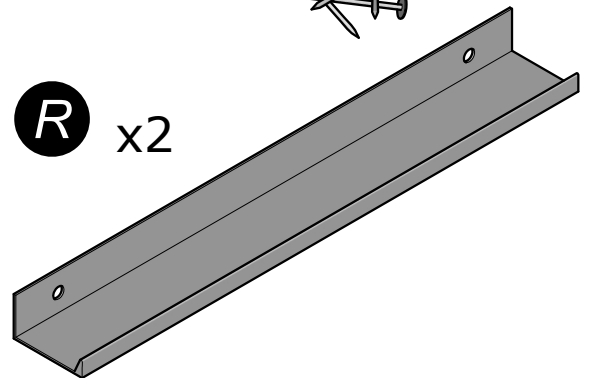
P x2

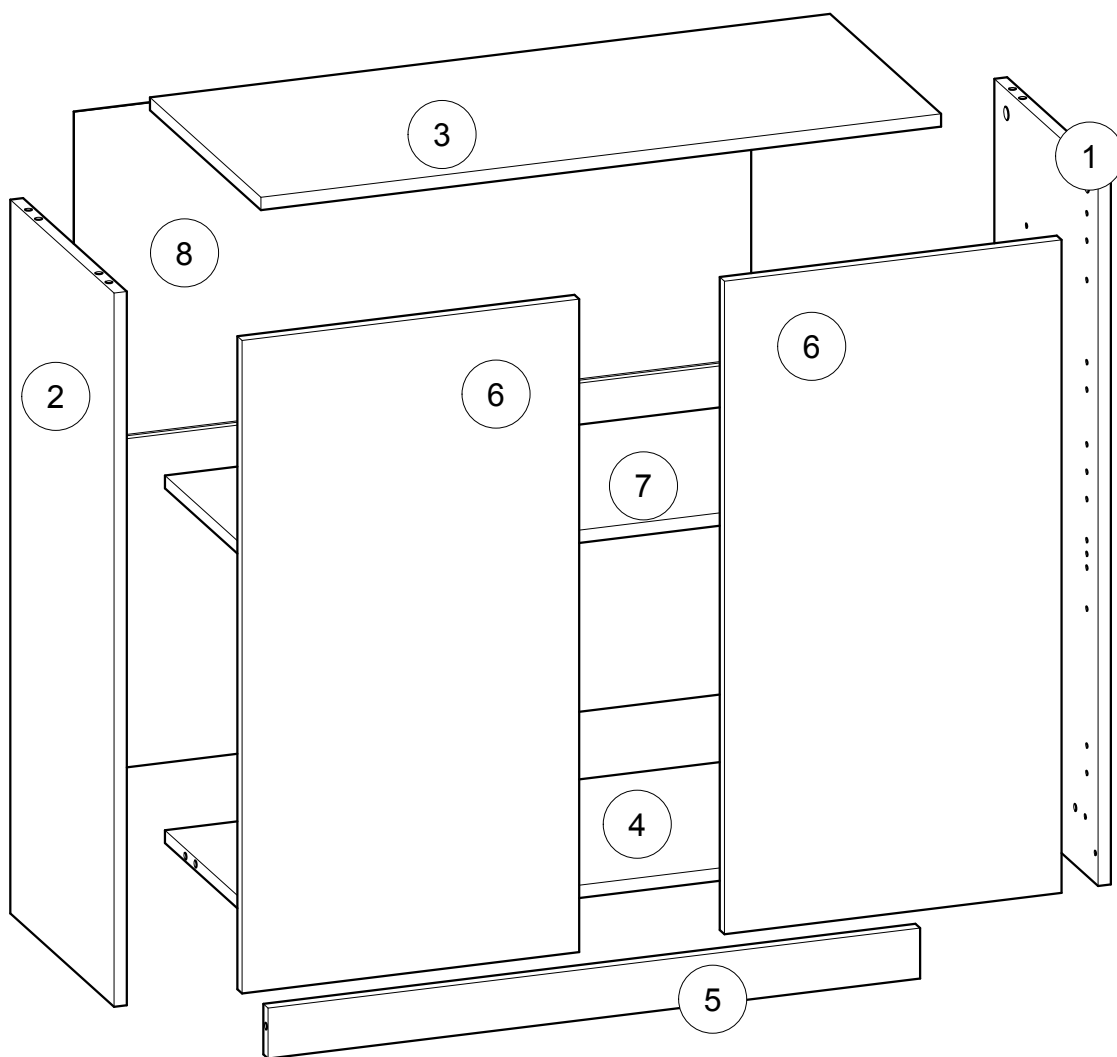


Q x1

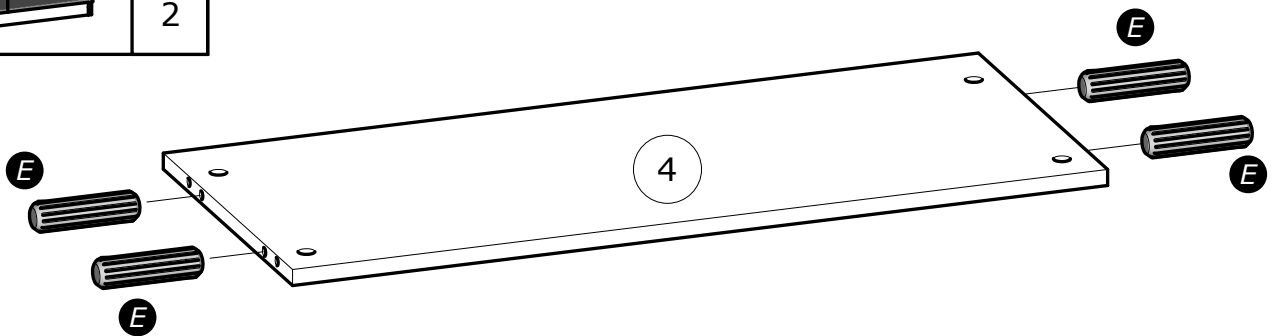
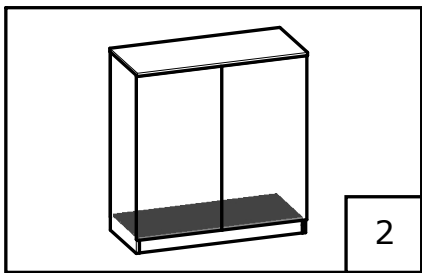
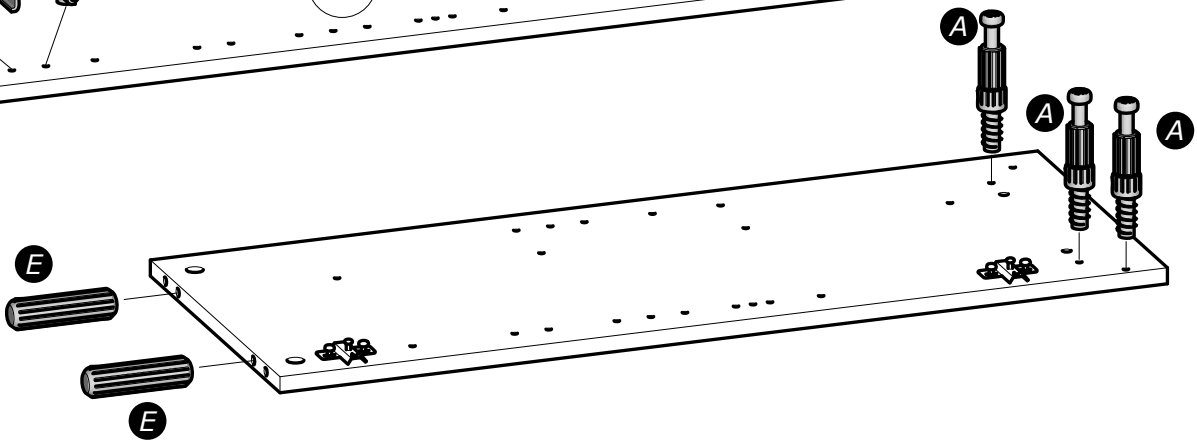
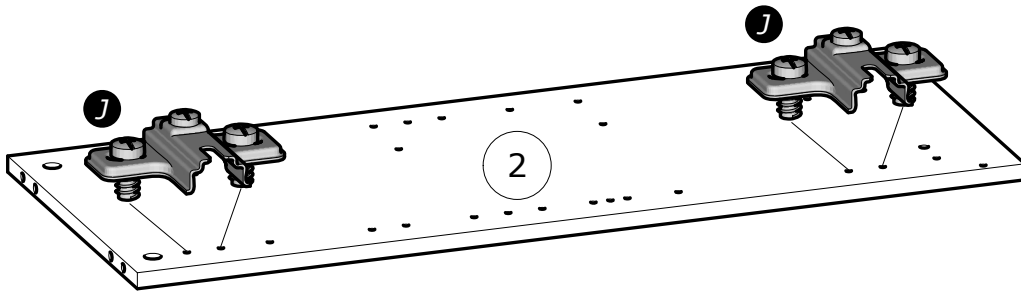
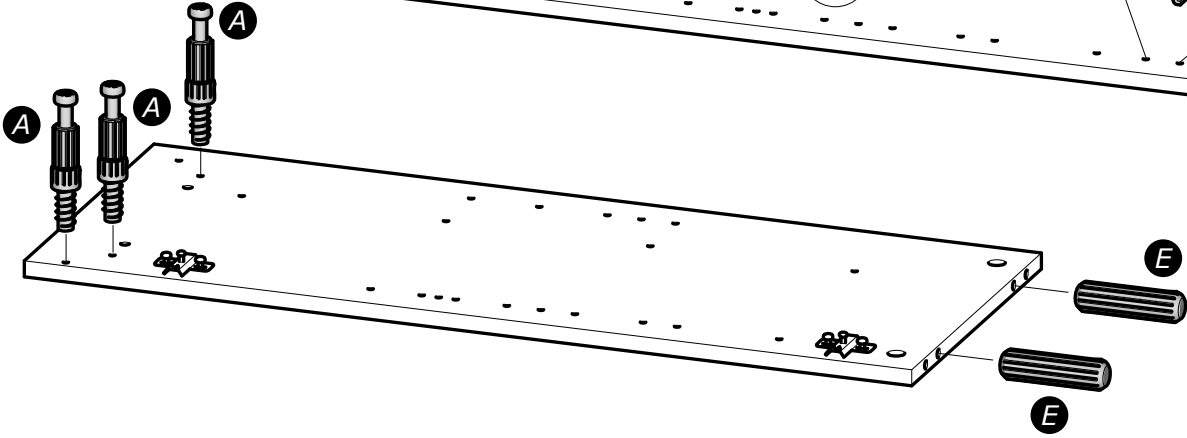
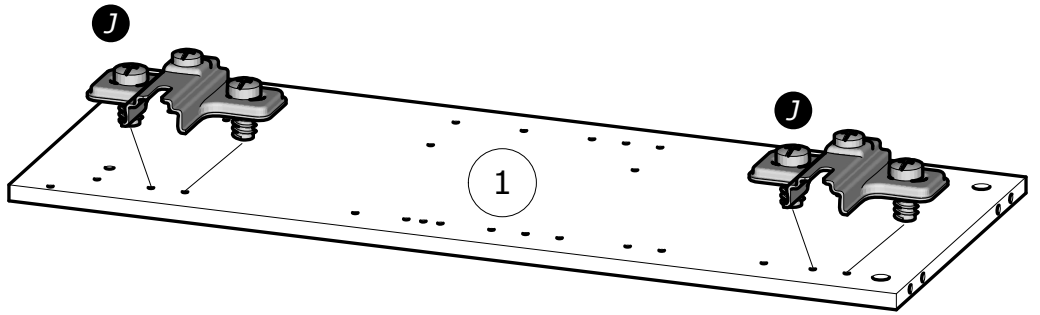
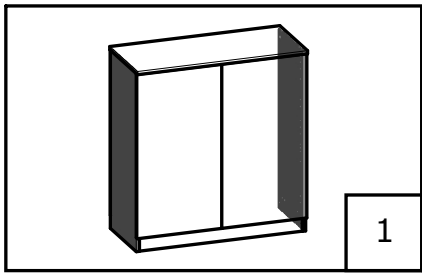


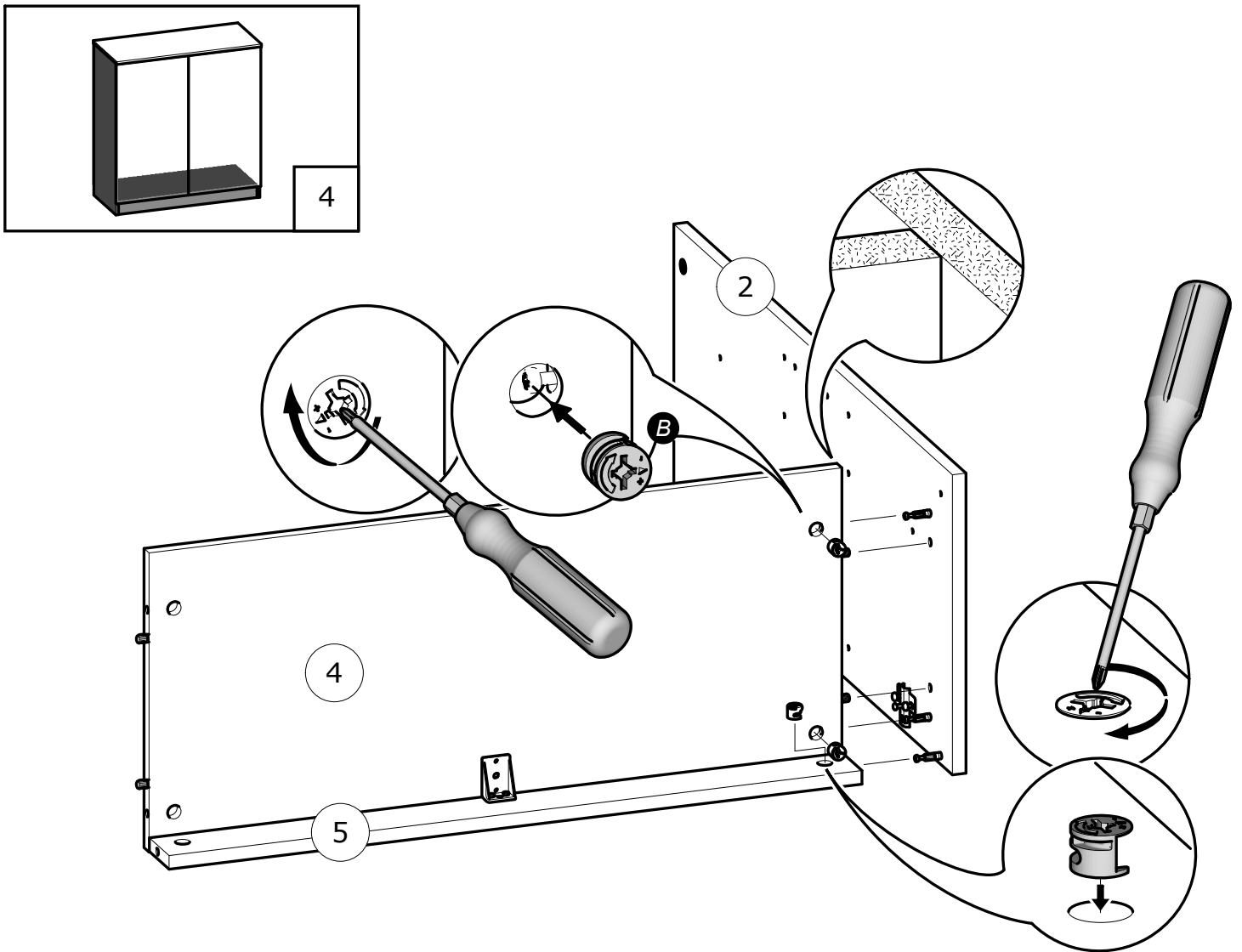
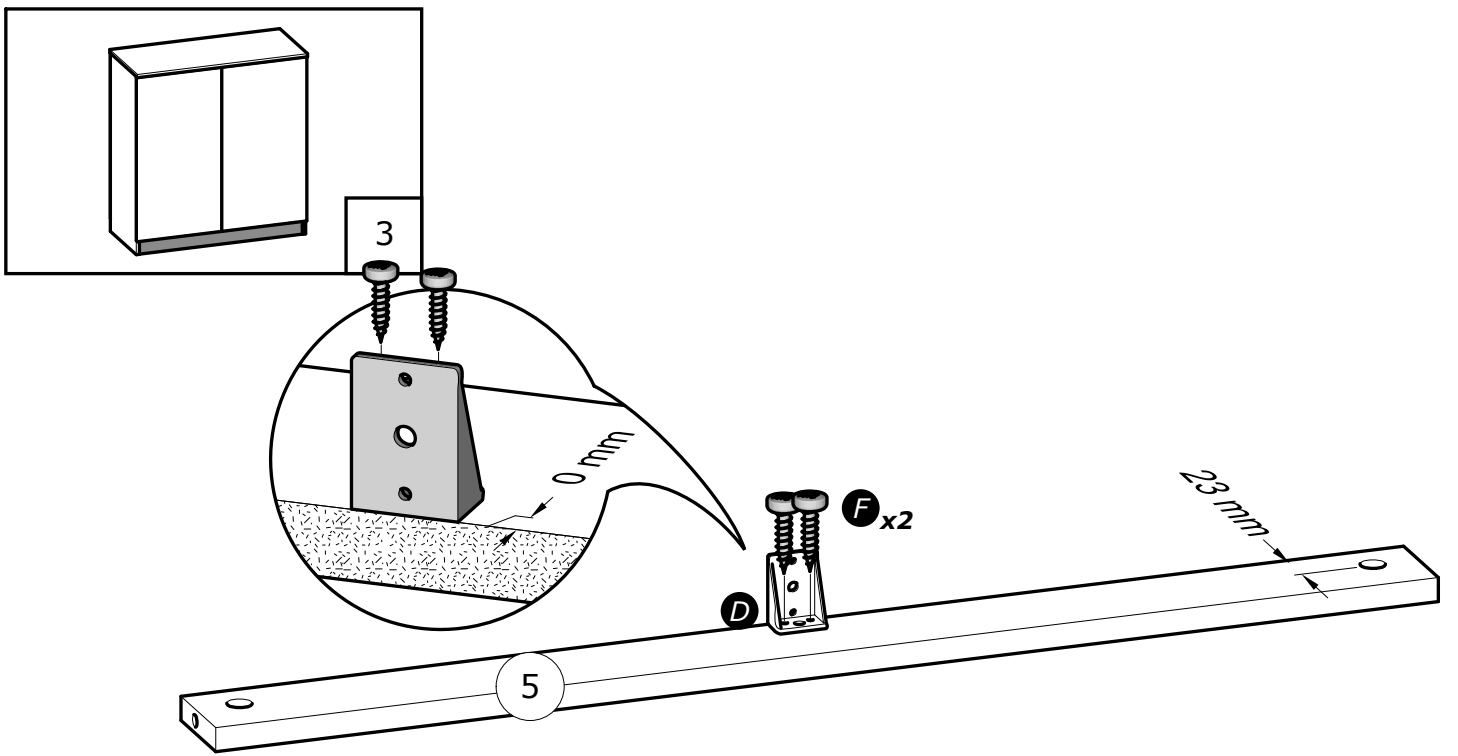
R x2

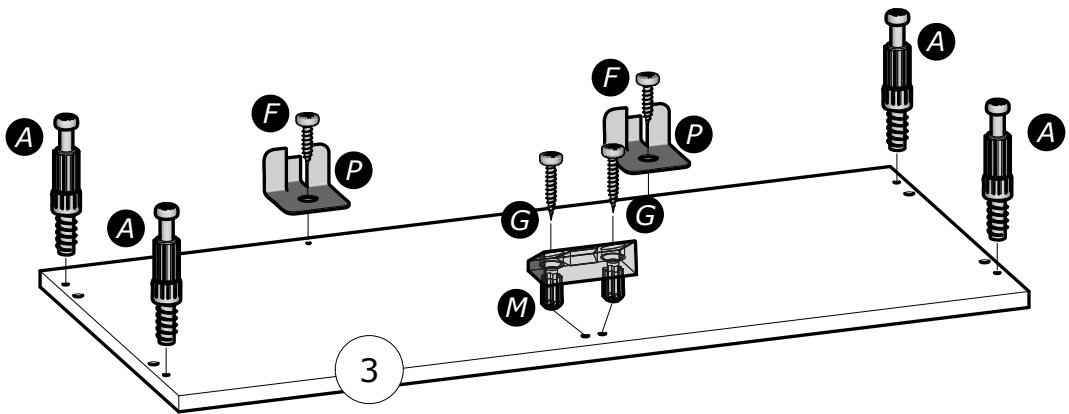
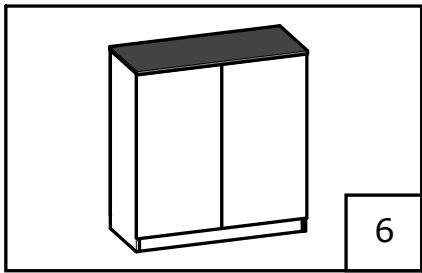
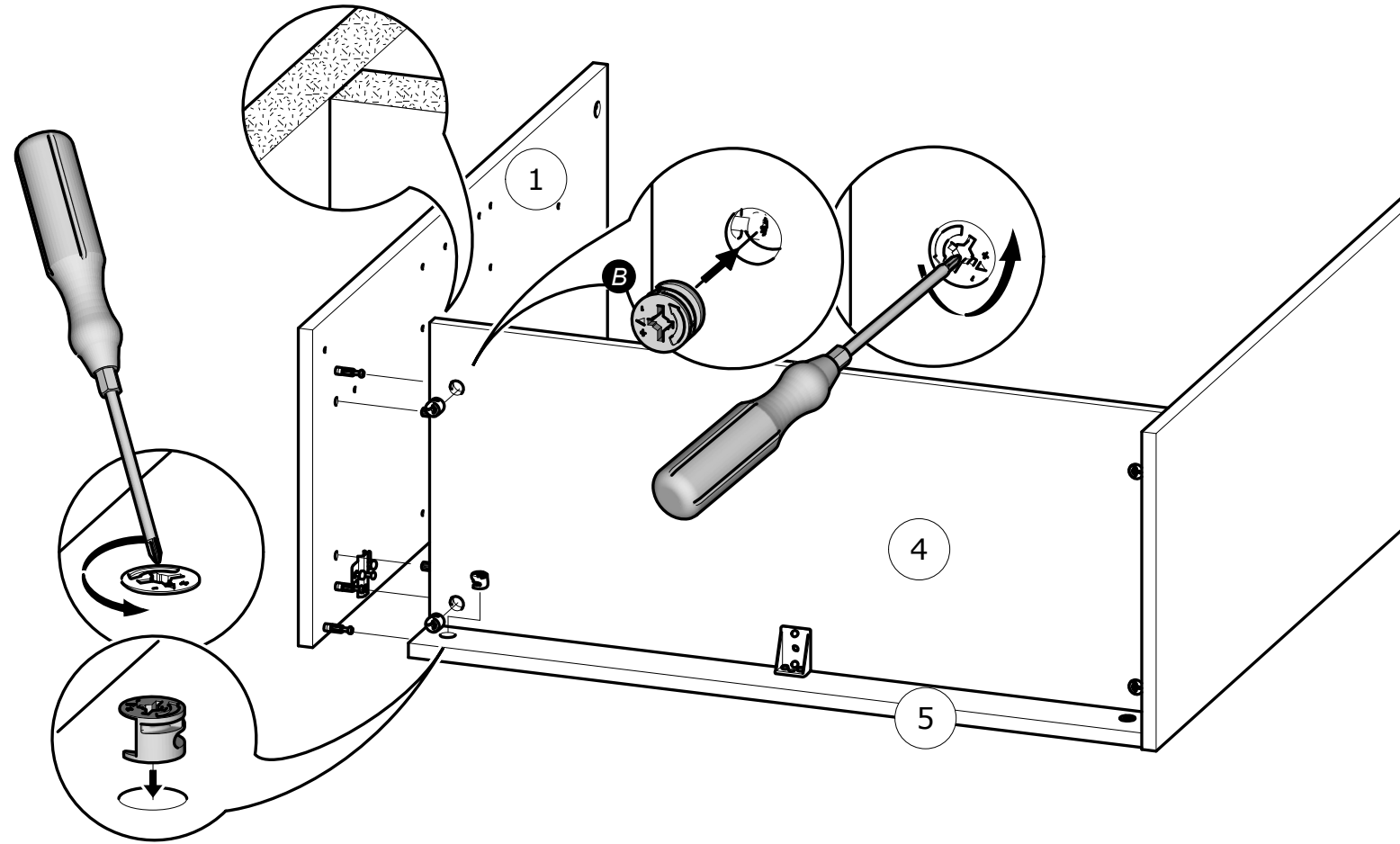
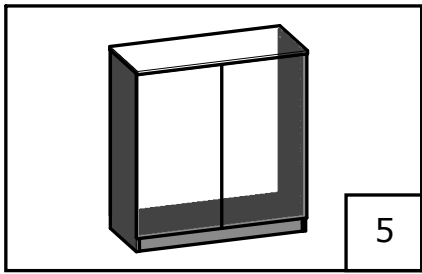


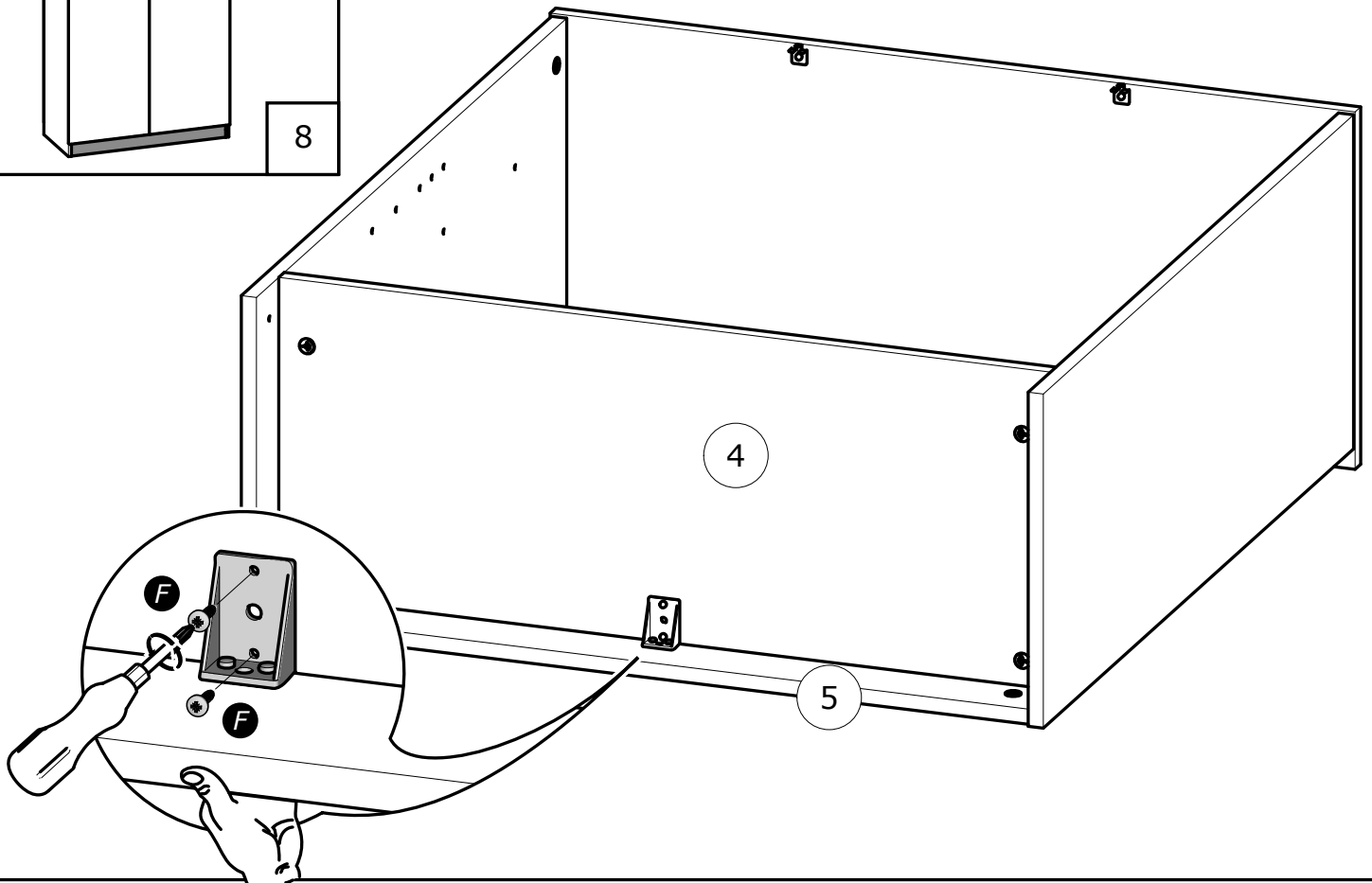
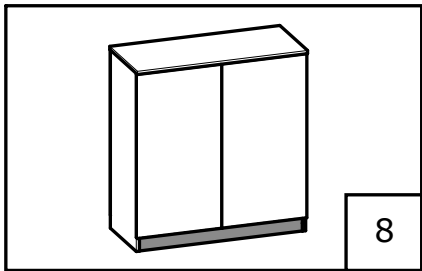
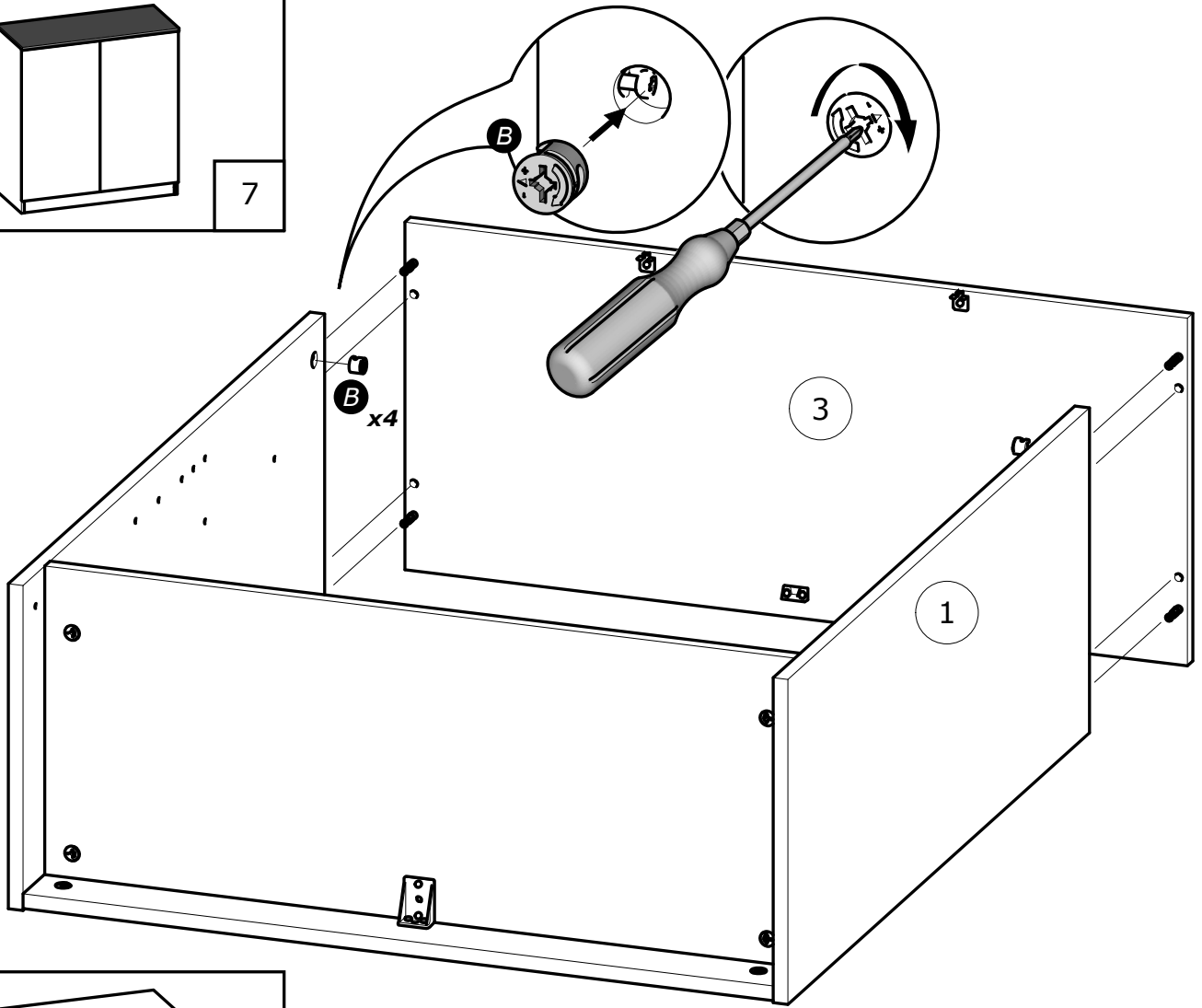
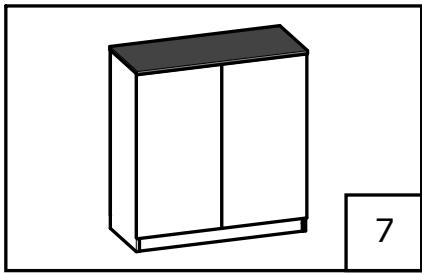


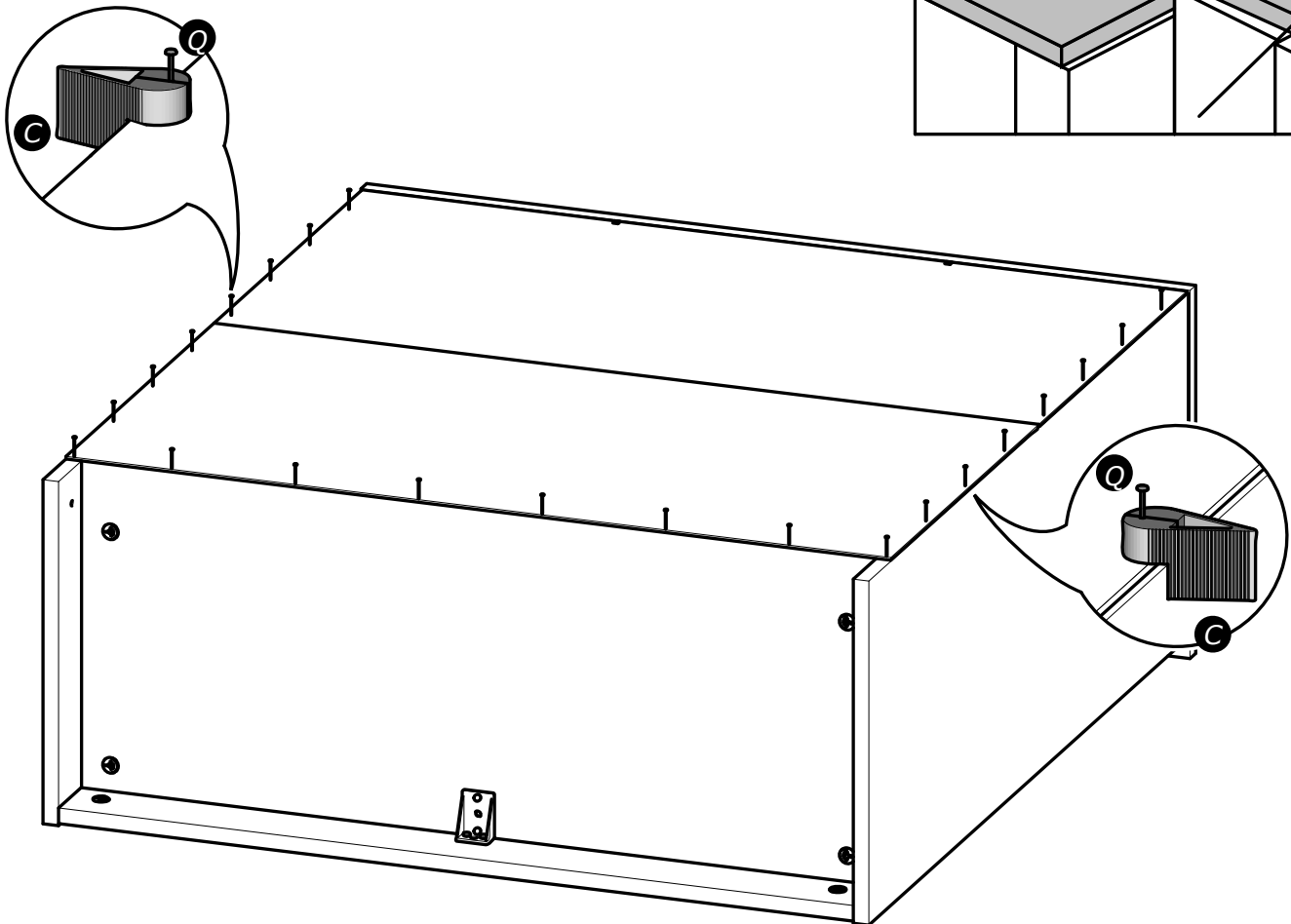
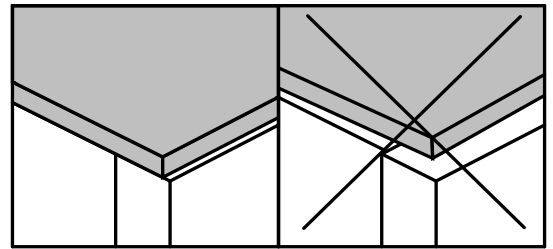
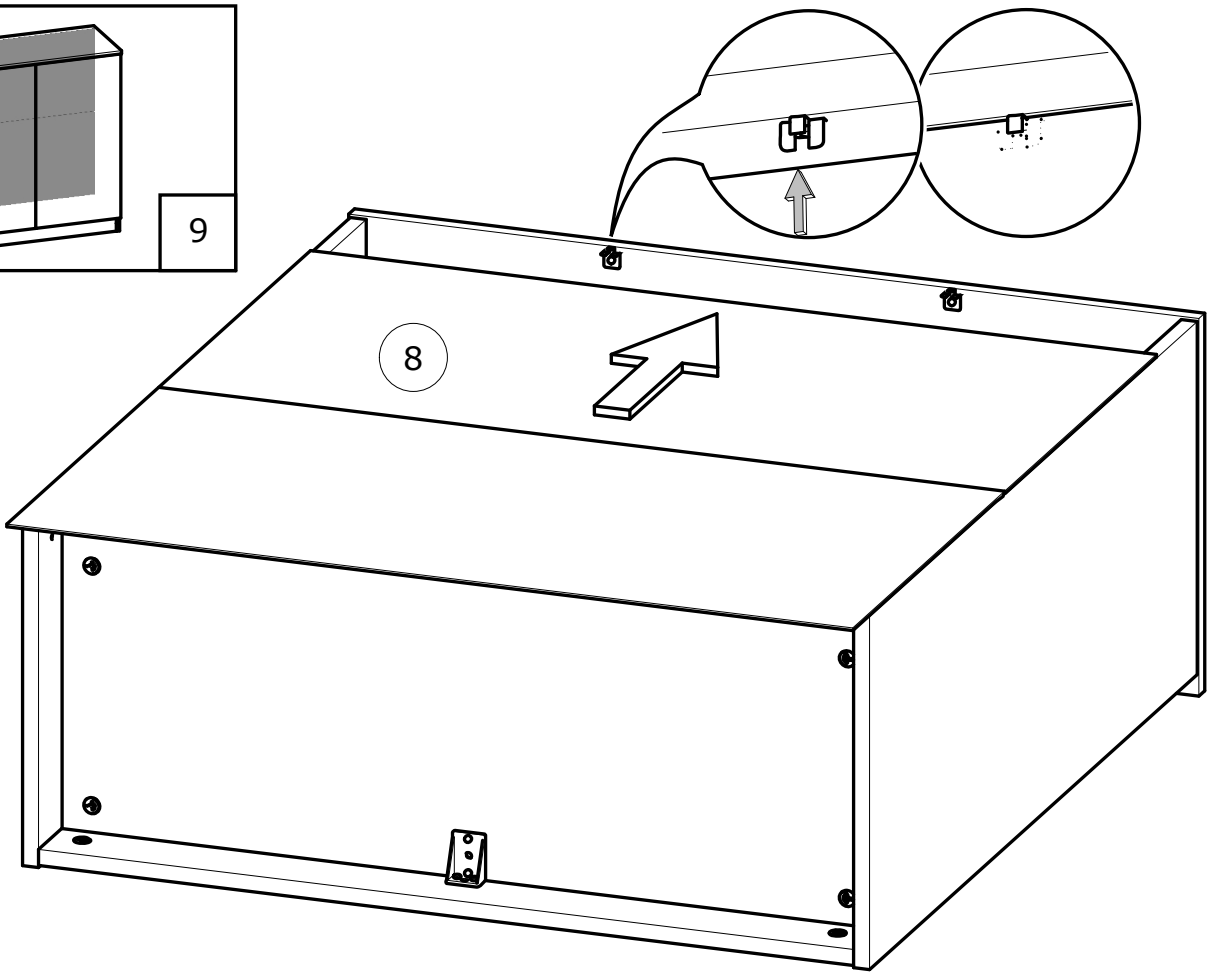
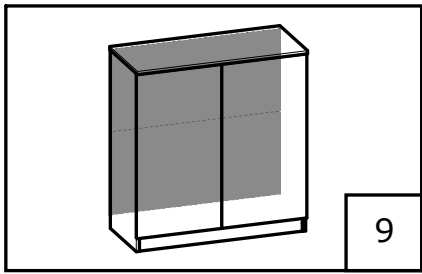
N°	Dim. (mm)	Qty.
1	834x 330	x1
2	834x 330	x1
3	799x 353	x1
4	766x 329	x1
5	766x 59	x1
6	763x 396	x2
7	766x 328	x1
8	795x 773	x1

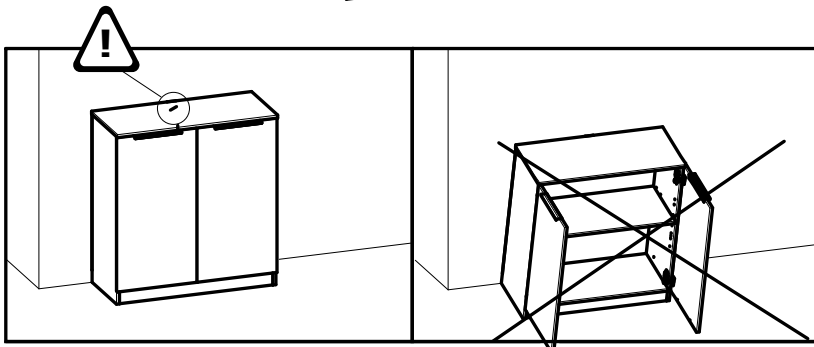
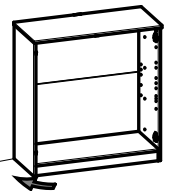
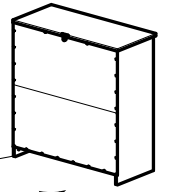
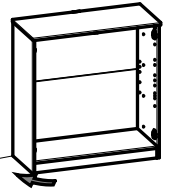
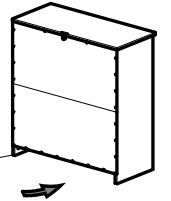
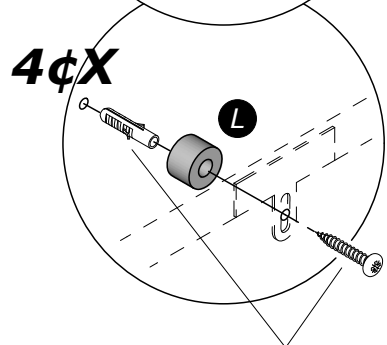
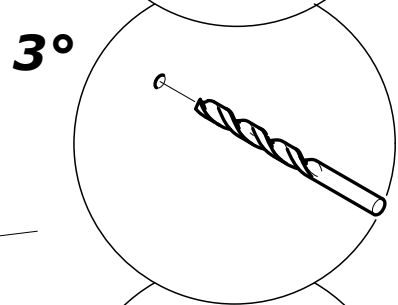
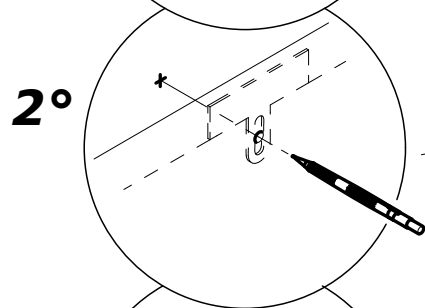
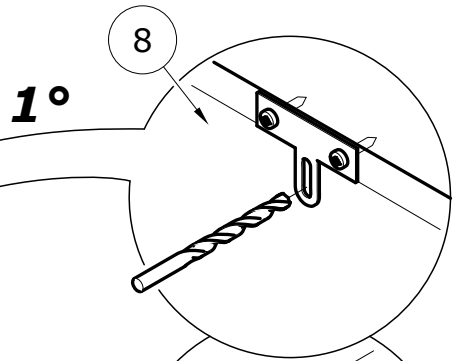
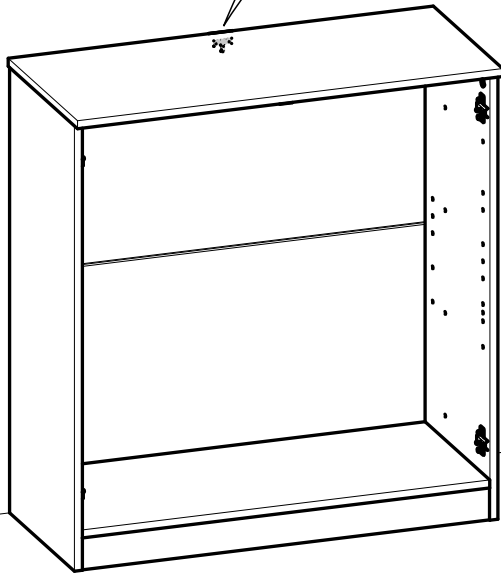
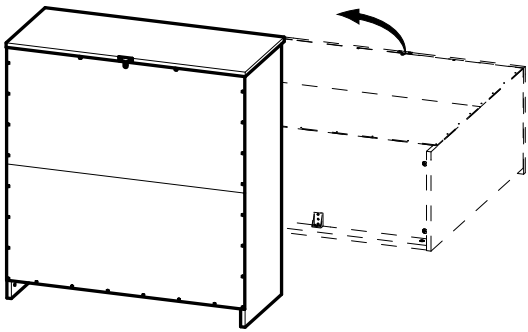
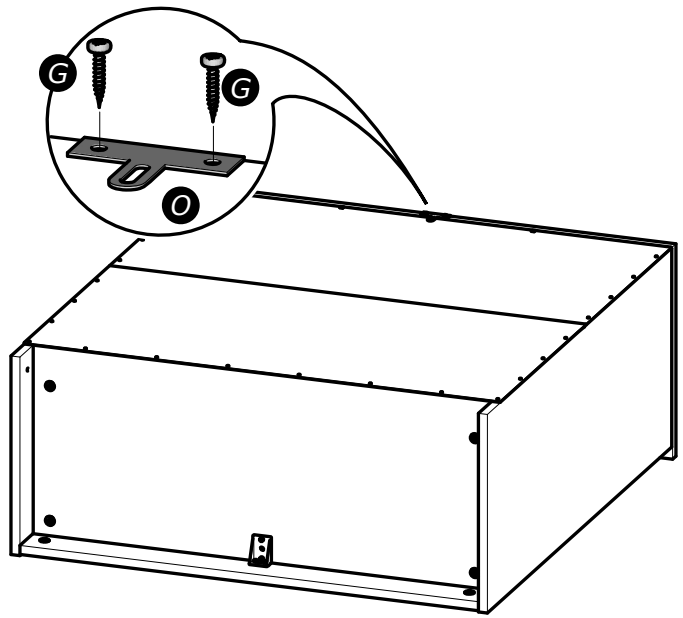
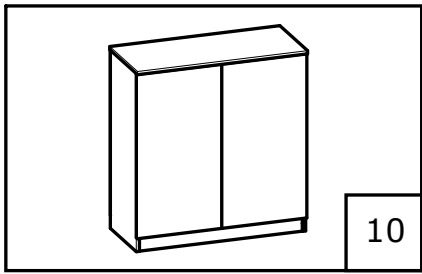












NON INCLUS
Not Supplied

