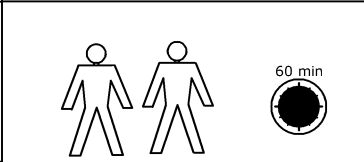


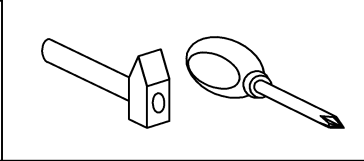
x 4  <b>(a)</b>	x 20  <b>(b)</b>	x 20  <b>(c)</b>	x 20  <b>(d)</b>	x 2  <b>(f)</b>	x 2  <b>(g)</b>
-----------------------	------------------------	------------------------	------------------------	-----------------------	-----------------------

x 4  <b>(h)</b>	x 5  <b>(j)</b>	x 5  <b>(k)</b>
-----------------------	-----------------------	-----------------------

x 1  <b>(m)</b>	x 4  <b>(n)</b>	x 2  <b>(o)</b>	x 1  <b>(p)</b>	x 2  <b>(r)</b>	x 6 (6,2x16)  <b>(s)</b>
-----------------------	-----------------------	-----------------------	-----------------------	-----------------------	-----------------------------------

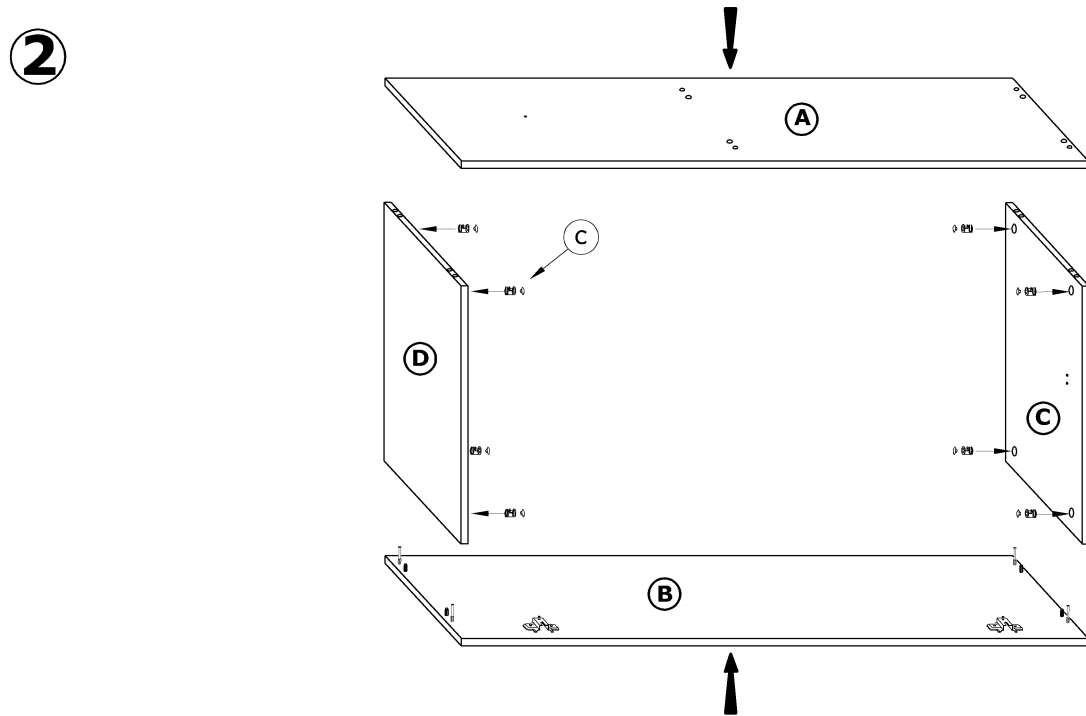
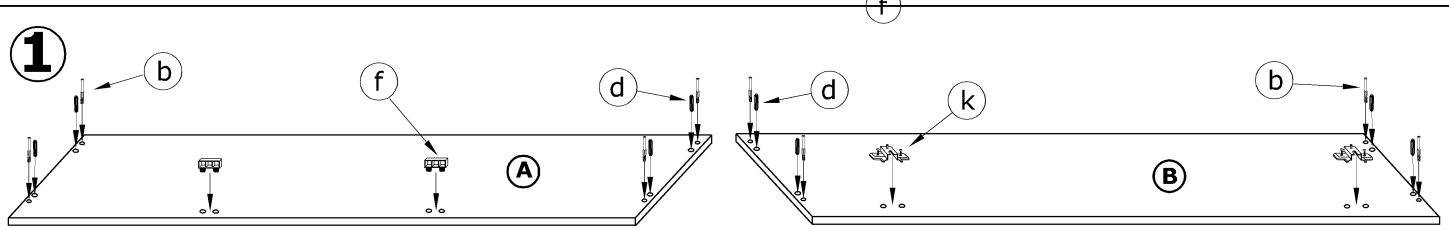


x 2 (M4-12)  <b>(t)</b>	x 37 (3,5x16)  <b>(u)</b>	x 12 (3,5x30)  <b>(w)</b>	x 4  <b>(x)</b>	x 40  <b>(q)</b>	x 1  <b>(s)</b>
----------------------------------	------------------------------------	------------------------------------	-----------------------	------------------------	-----------------------

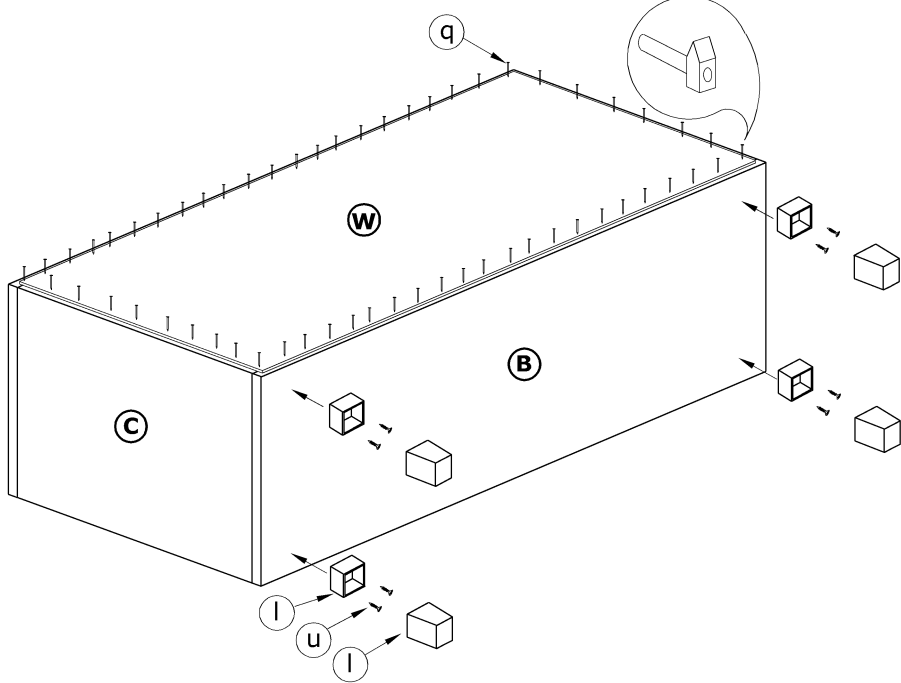


x 1 kpl.  <b>(e)</b>	x 2 (214 mm)  <b>(i)</b>	x 4  <b>(l)</b>	x 2 (70 mm)  <b>(y)</b>	x 2 (130 mm)  <b>(z)</b>	x 1 (1089 mm)  <b>(v)</b>
----------------------------	--------------------------------	-----------------------	-------------------------------	--------------------------------	---------------------------------

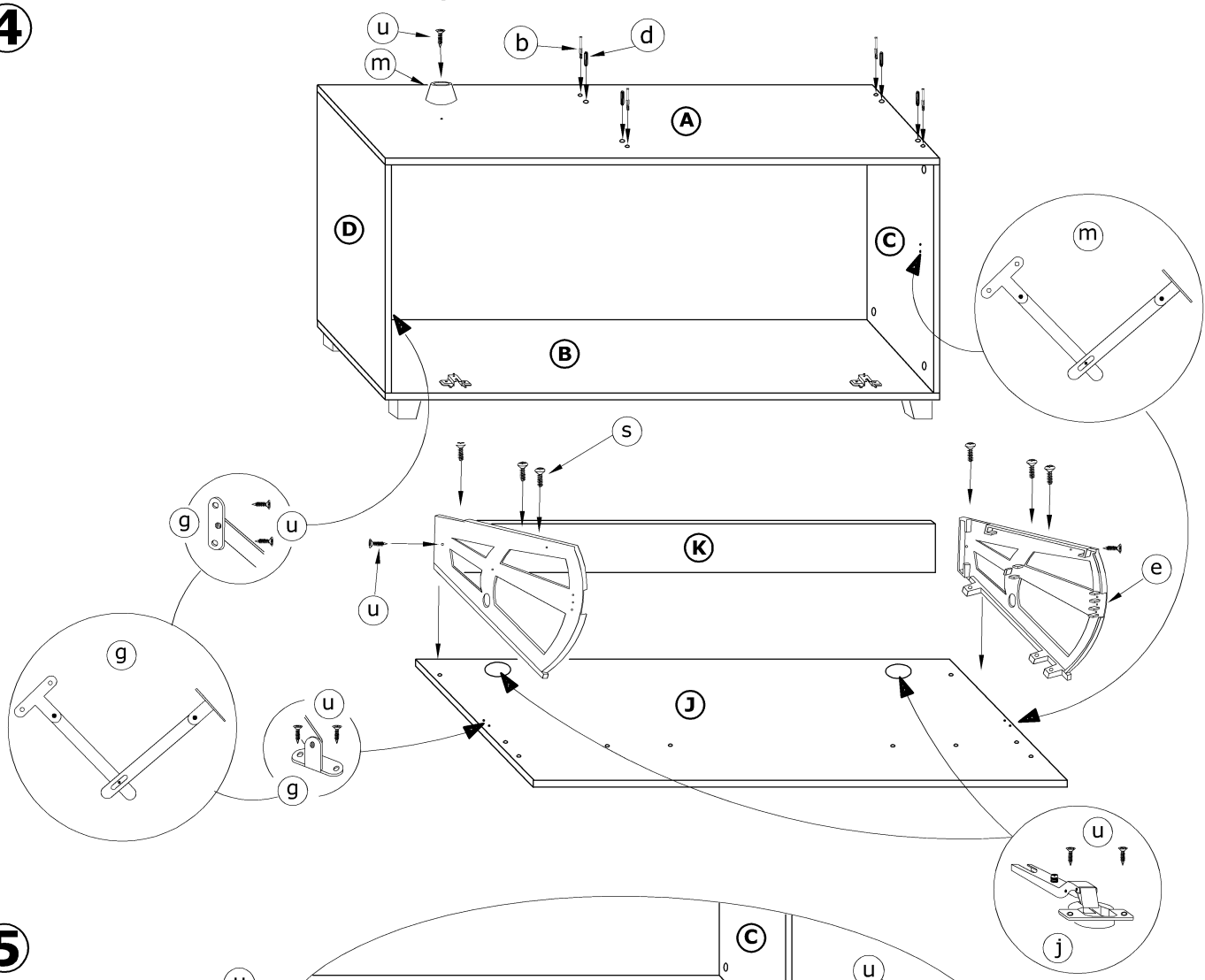
**1** - FAZY MONTAŻU      **A** - OZNACZENIE ELEMENTÓW      **a** - OZNACZENIE AKCESORIÓW



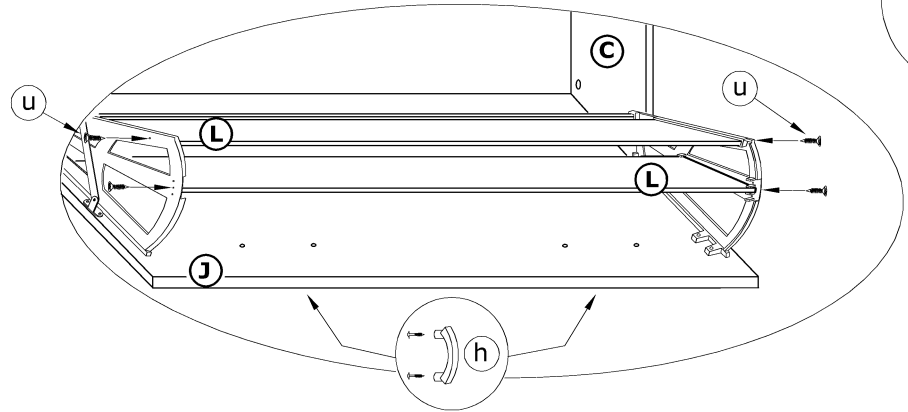
3



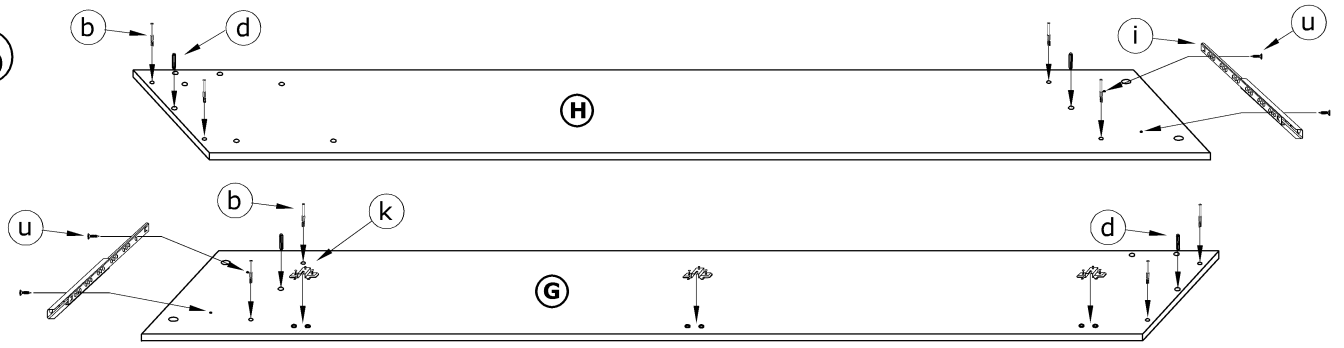
4



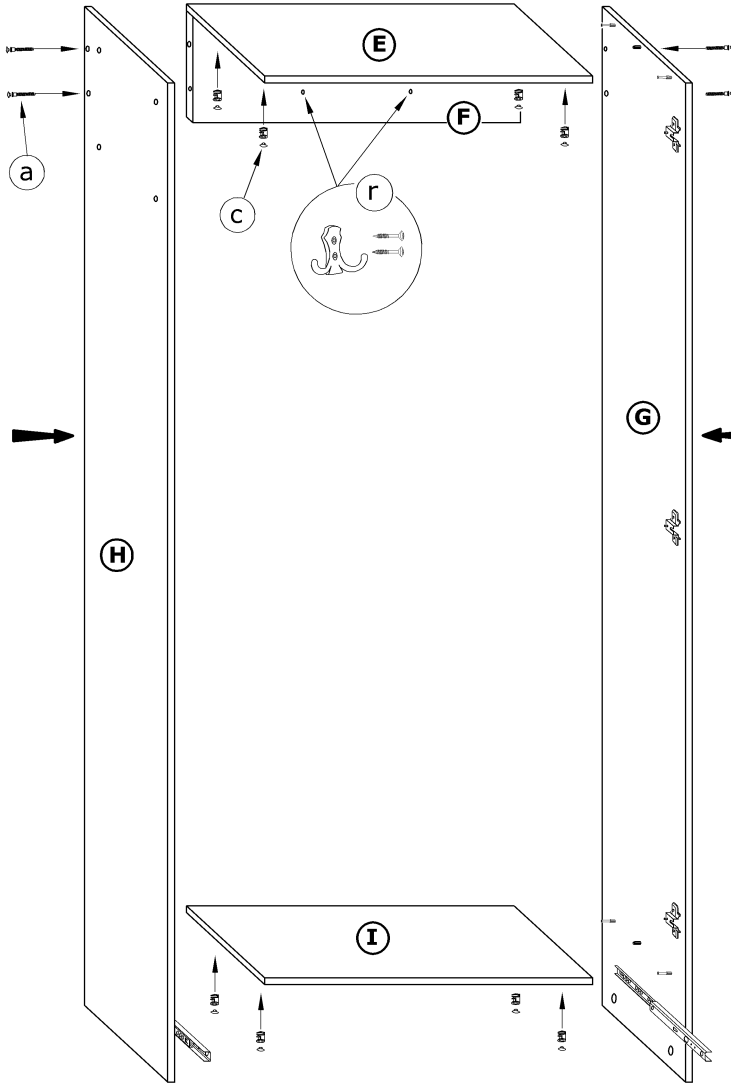
5



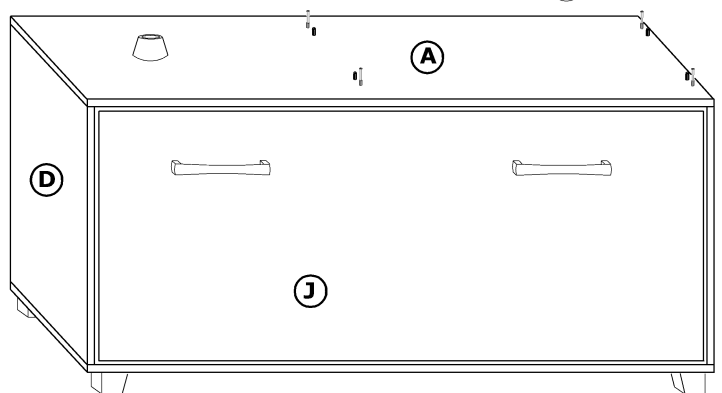
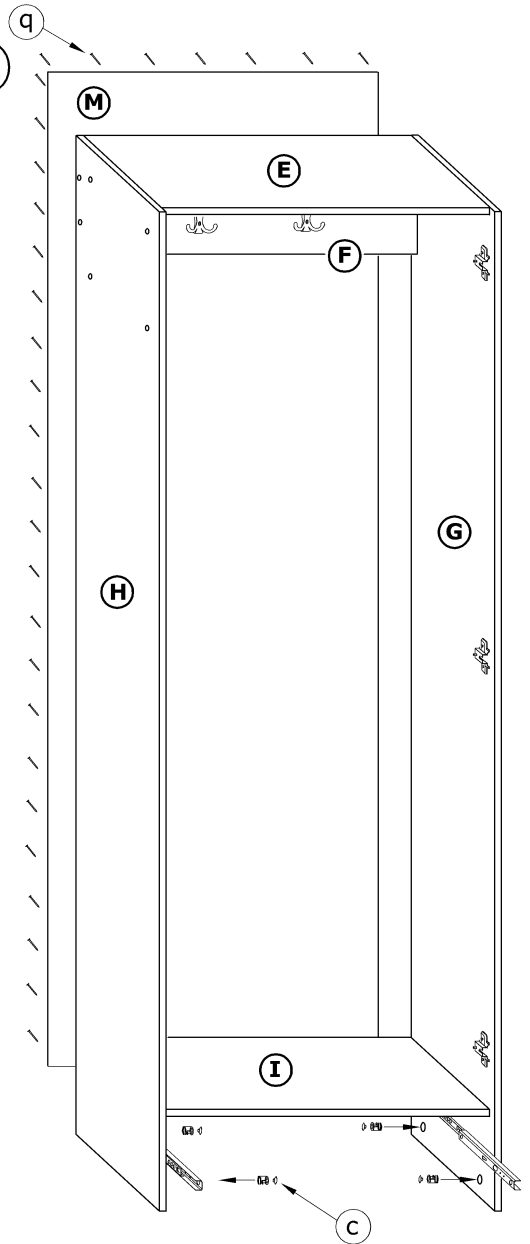
6

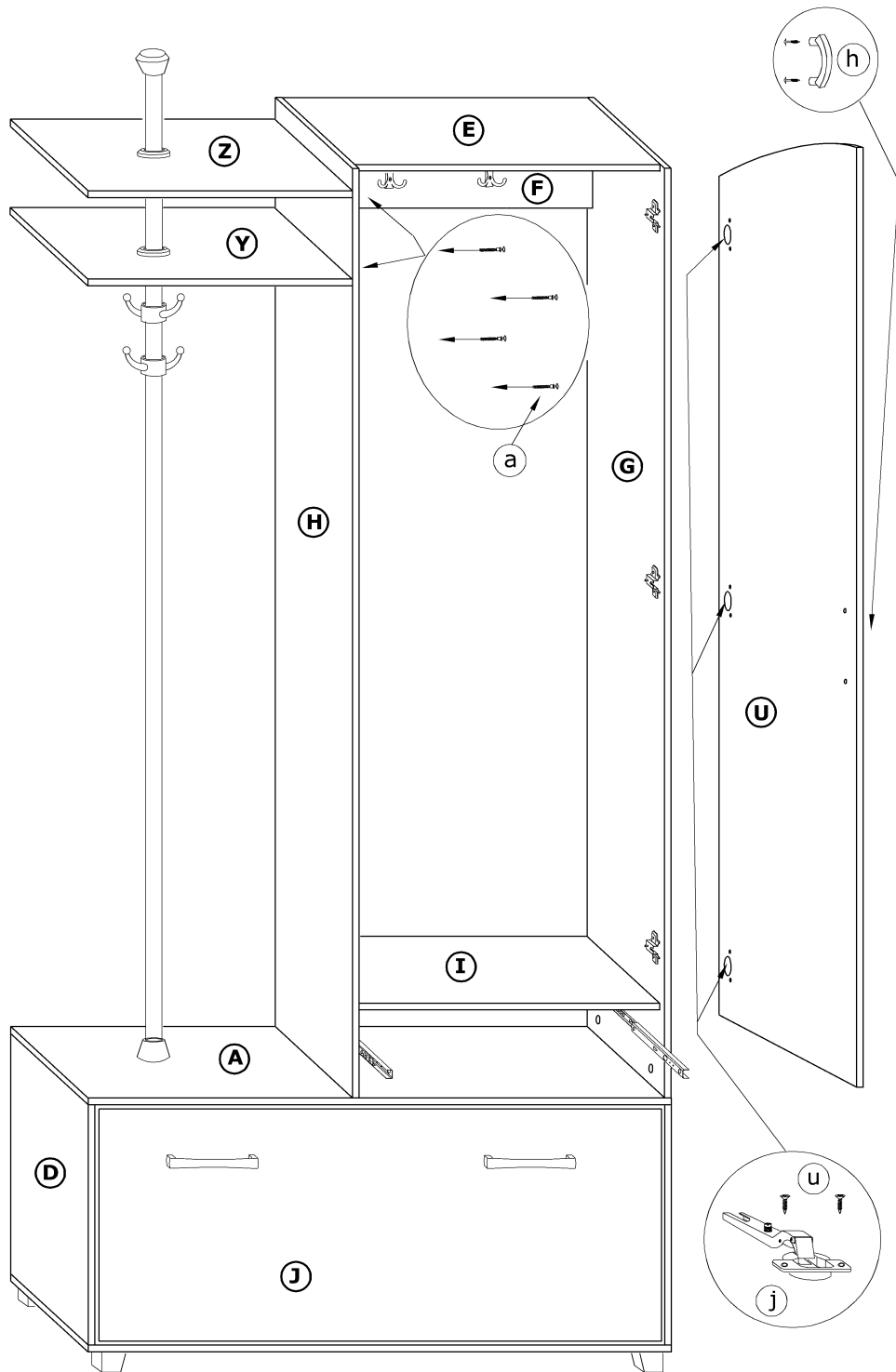
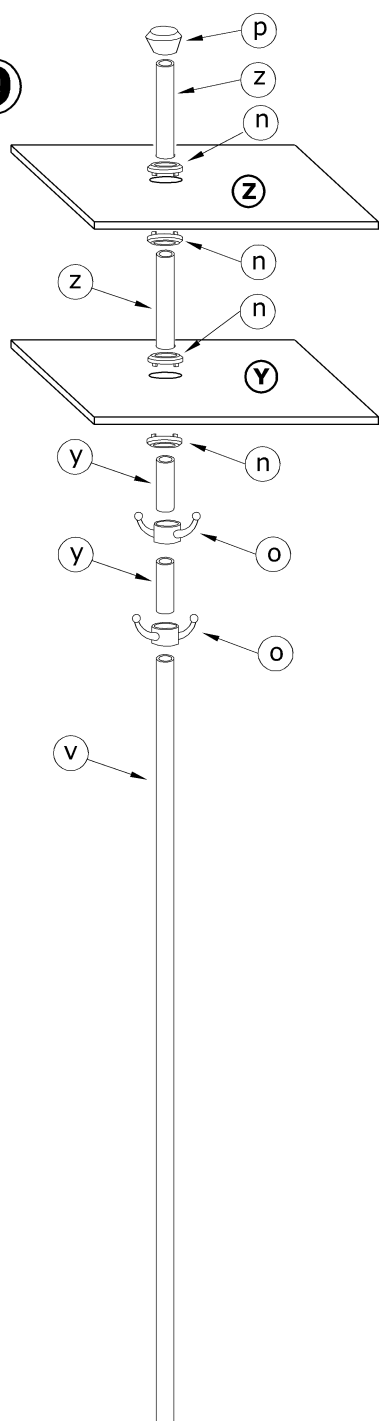
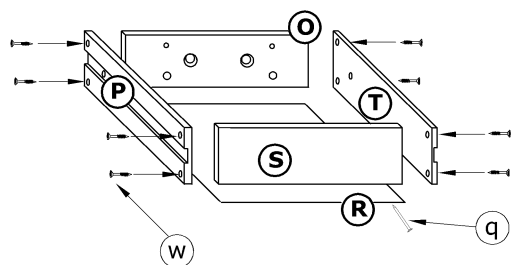
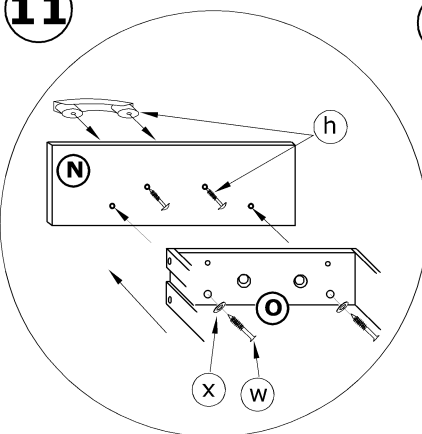


7



8



**9****10****11****12**