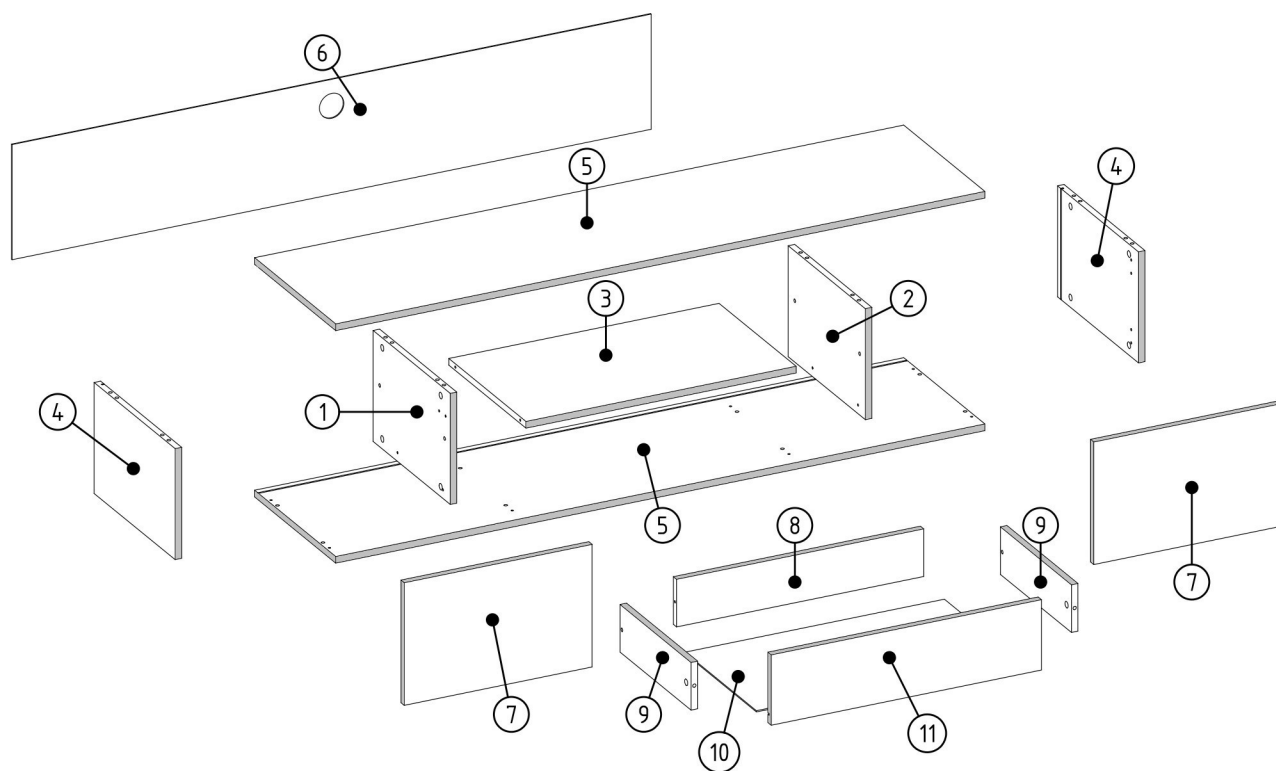
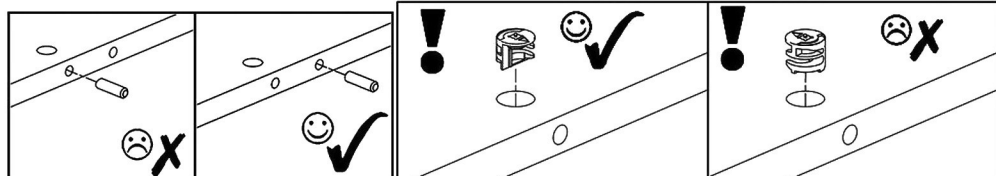
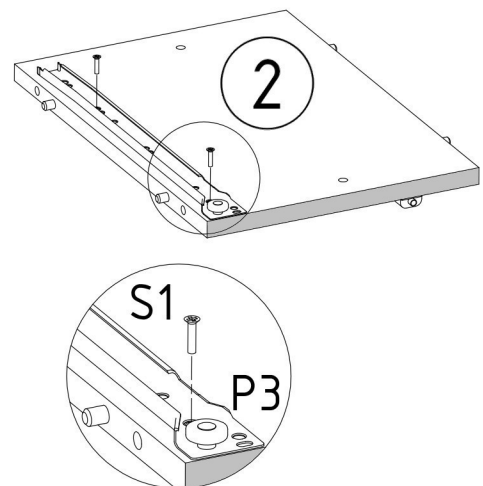
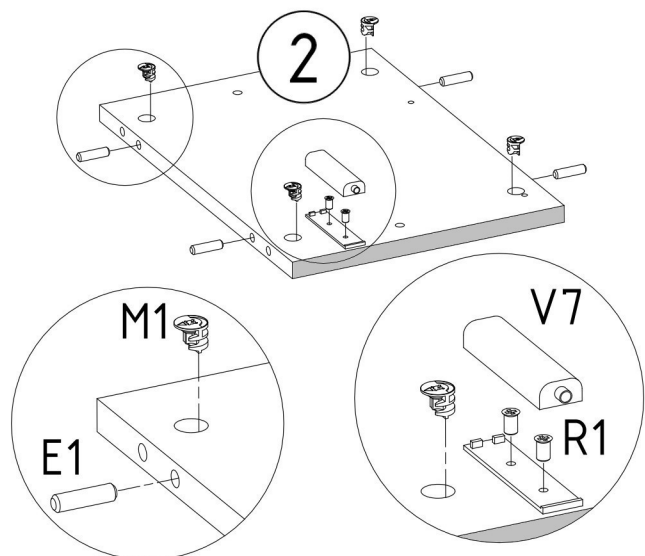
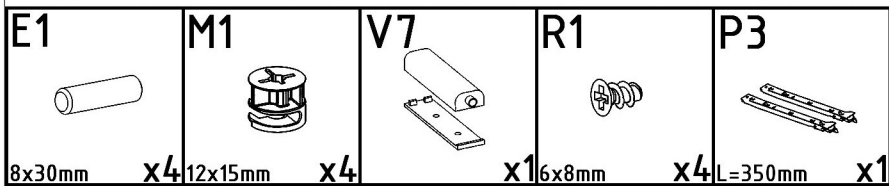
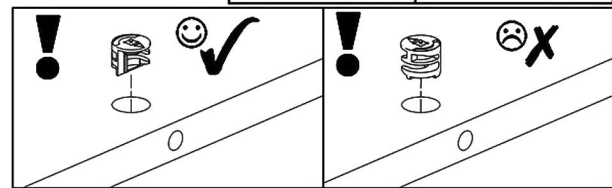
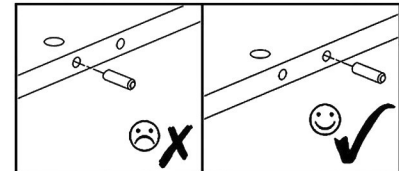
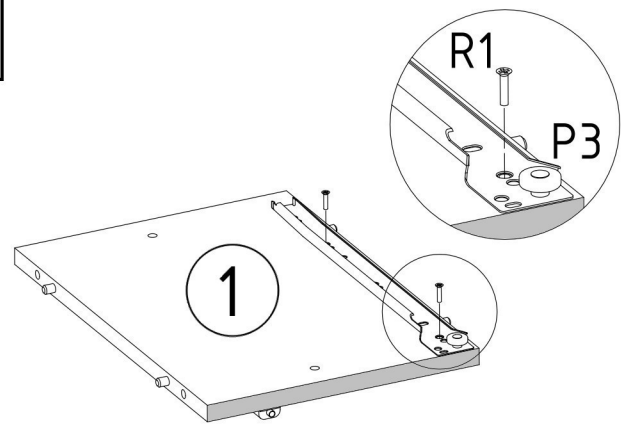
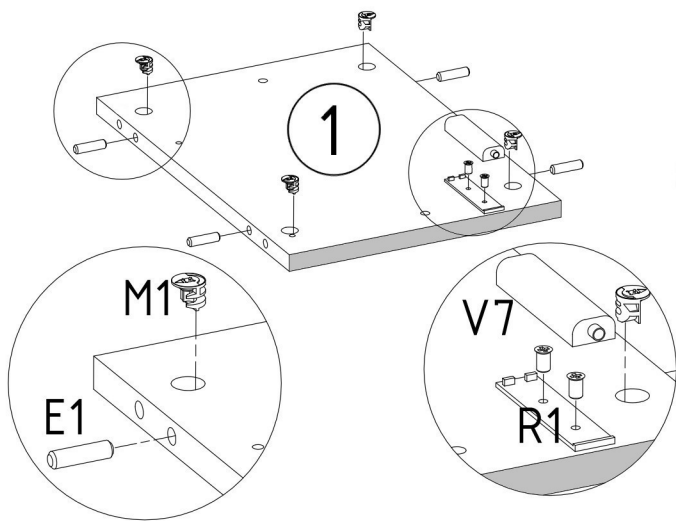
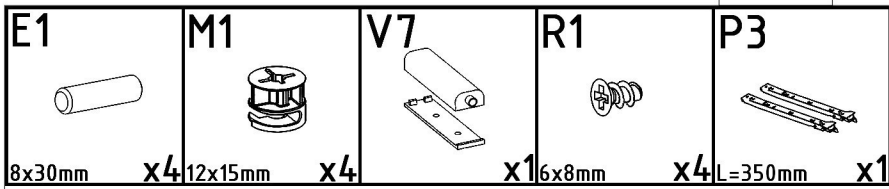
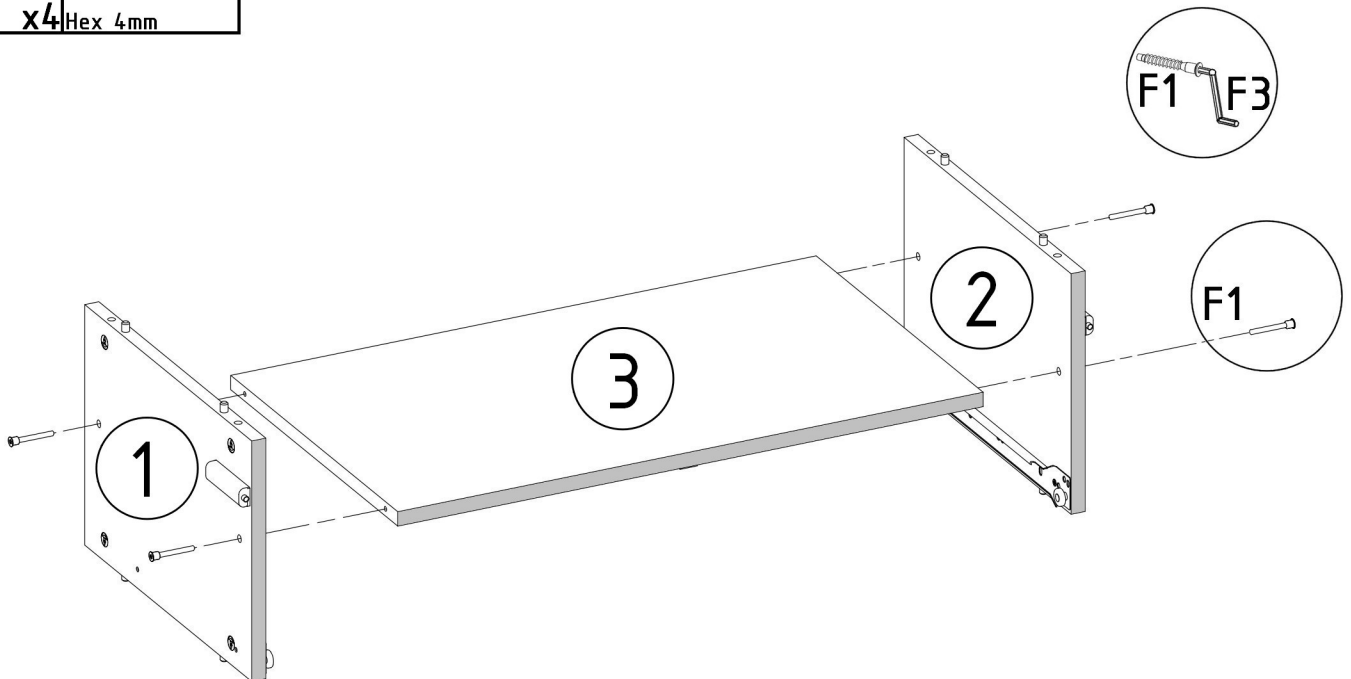
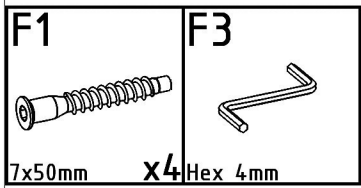
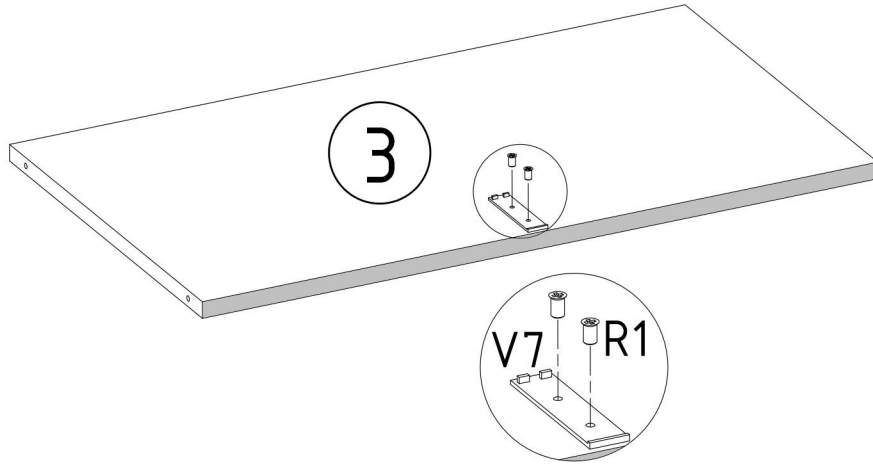
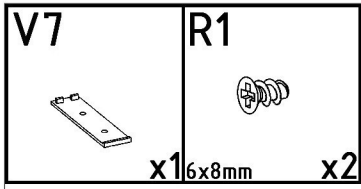




T5 x5	S9 x20	B1 S-A ø17/4-5mm x2	B1 CZ ø17/4-5mm x2	Z1 x30	V30 x16	S1 x12	A1 ZP x4
E1 8x30mm x16	M1 12x15mm x18	V7 x3	R1 6x8mm x10	P3 L=350mm x1	F1 7x50mm x6	F3 Hex 4mm x1	N1 L=35mm x18

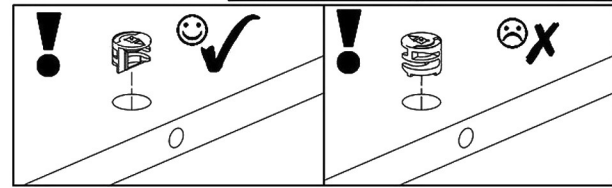
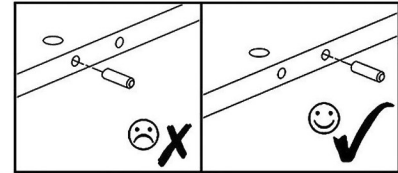
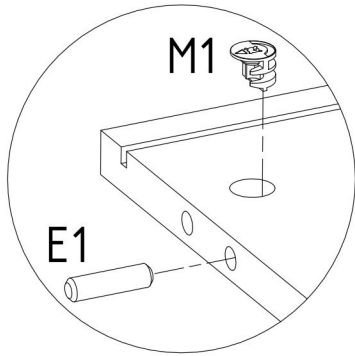
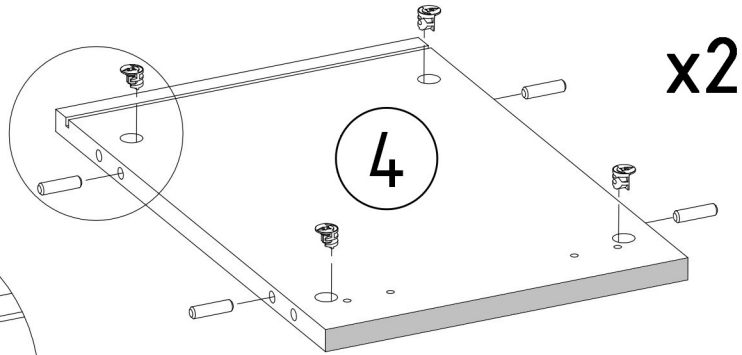



1	x	1
2	x	1
3	x	1
4	x	2
5	x	2
6	x	1
7	x	2
8	x	1
9	x	2
10	x	1
11	x	1

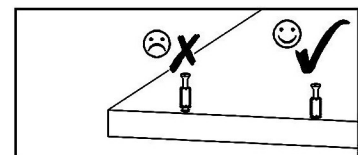
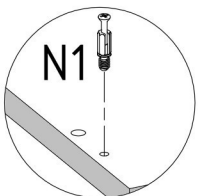
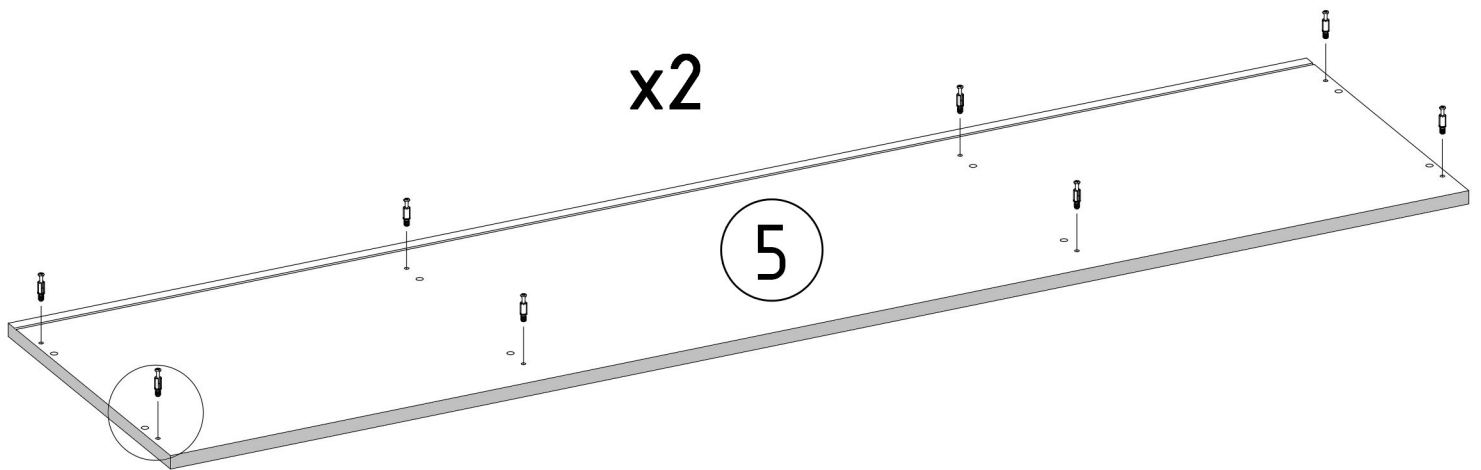


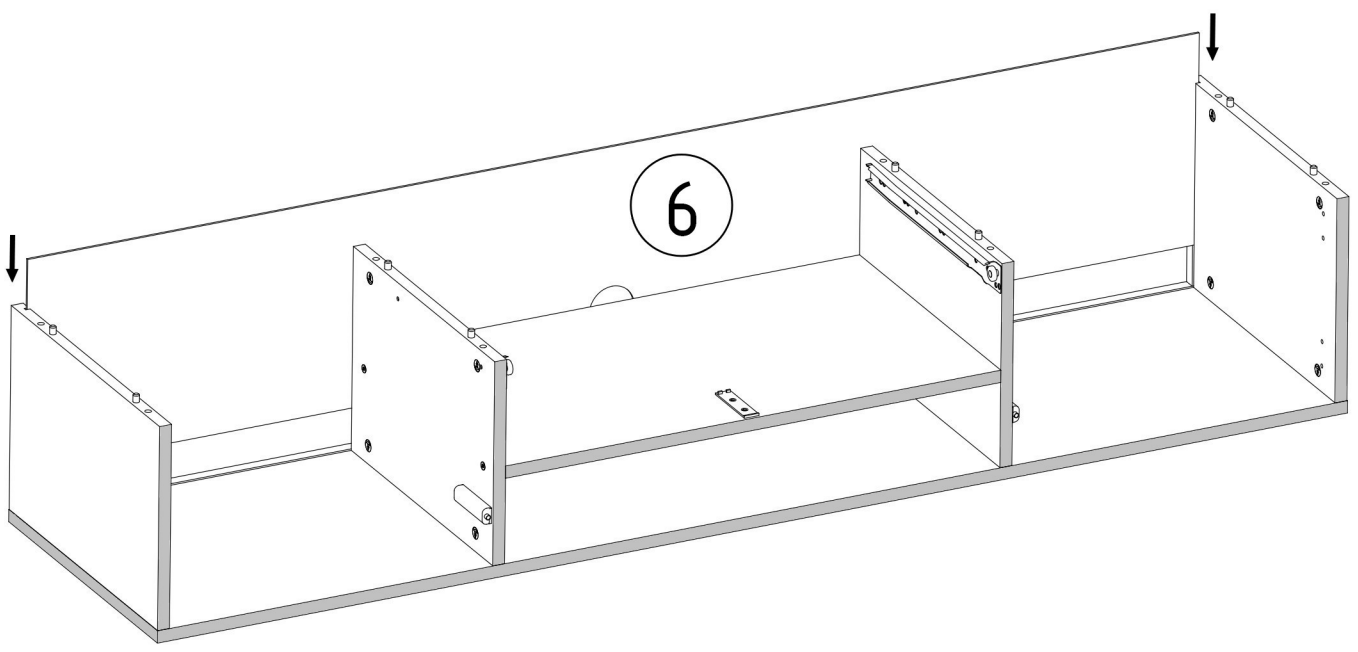
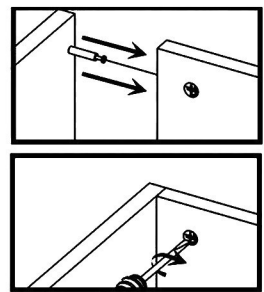
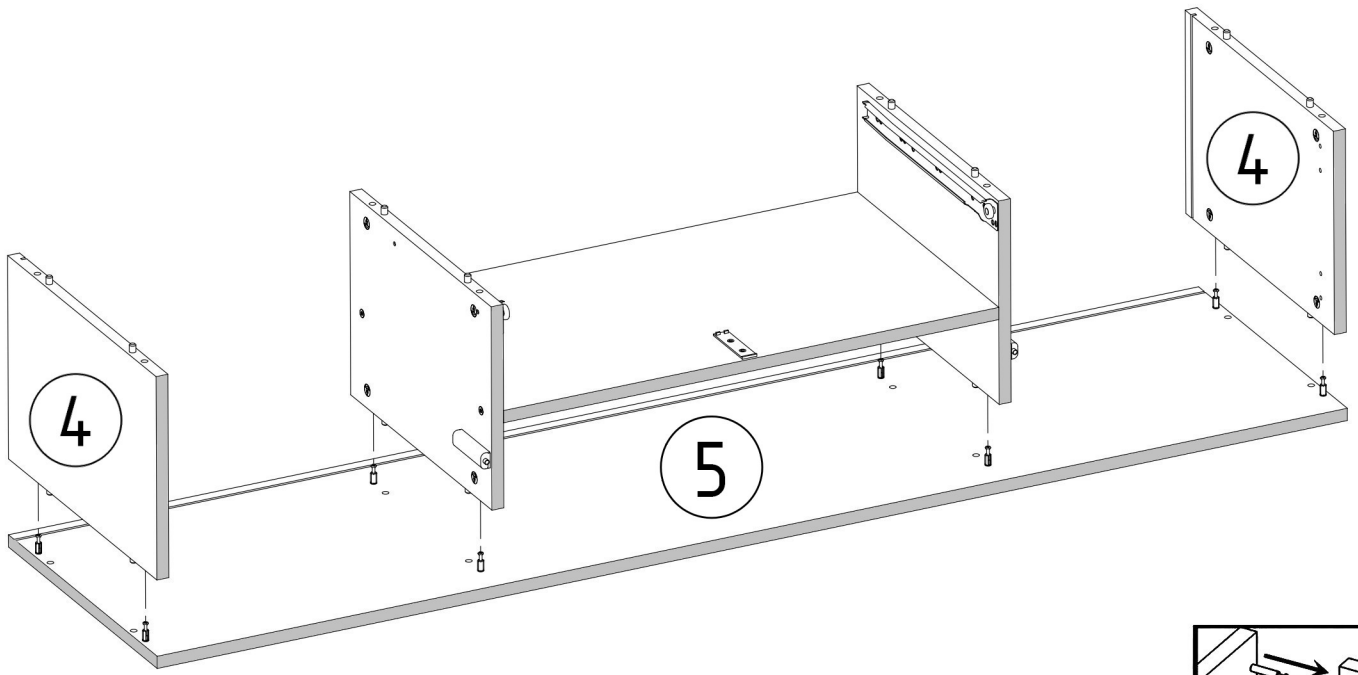


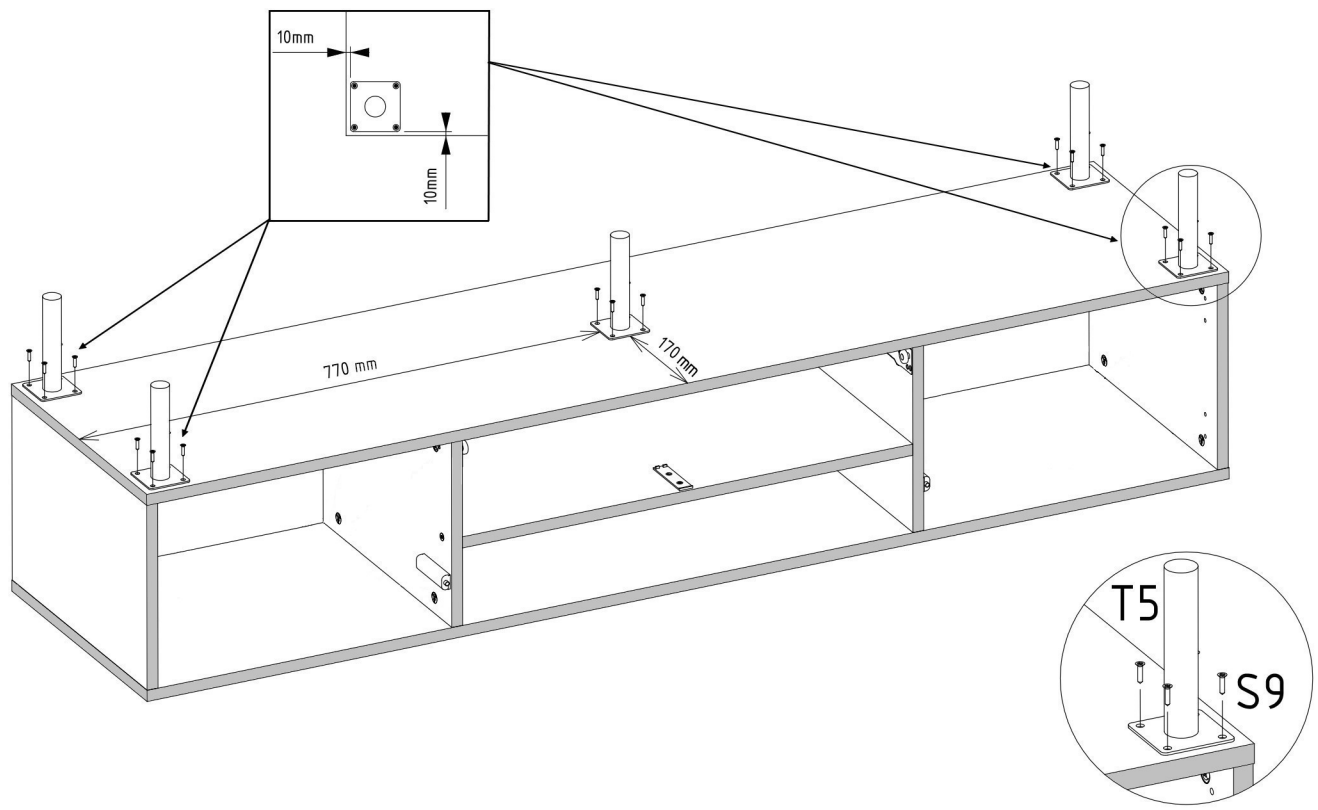
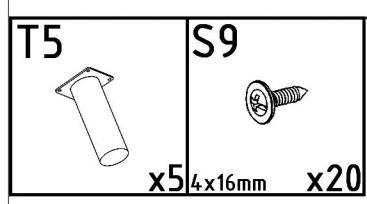
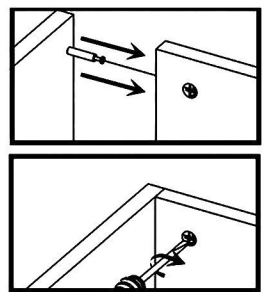
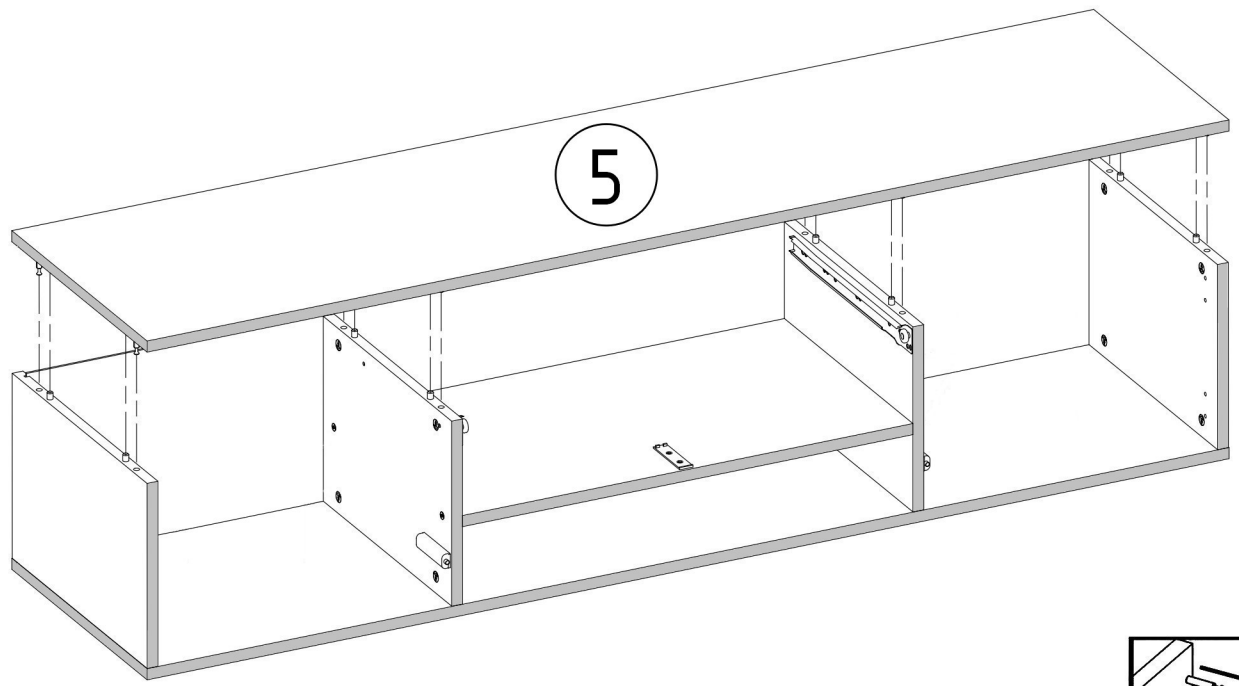
M1  12x15mm x8	E1  8x30mm x8
---	---

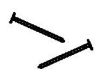



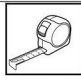
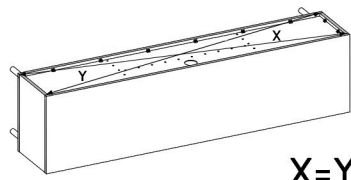
N1  L=35mm x16



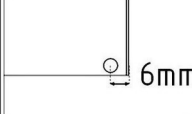




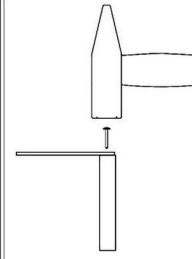
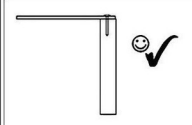

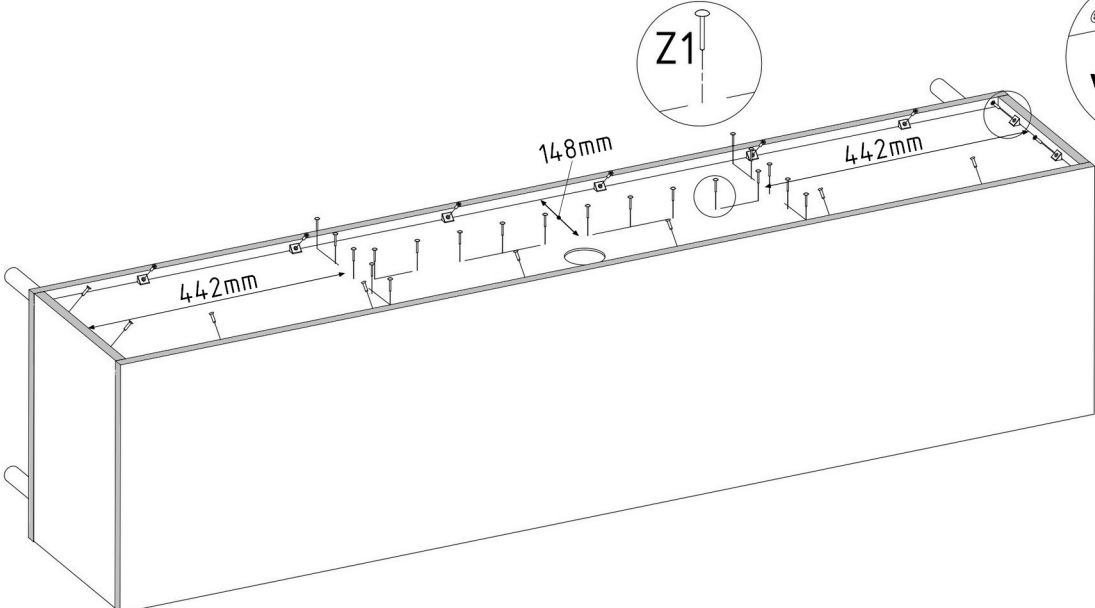
<p>Z1</p>  <p>x24</p>	<p>V30</p>  <p>x16</p>
--	--

X=Y



6mm



442mm

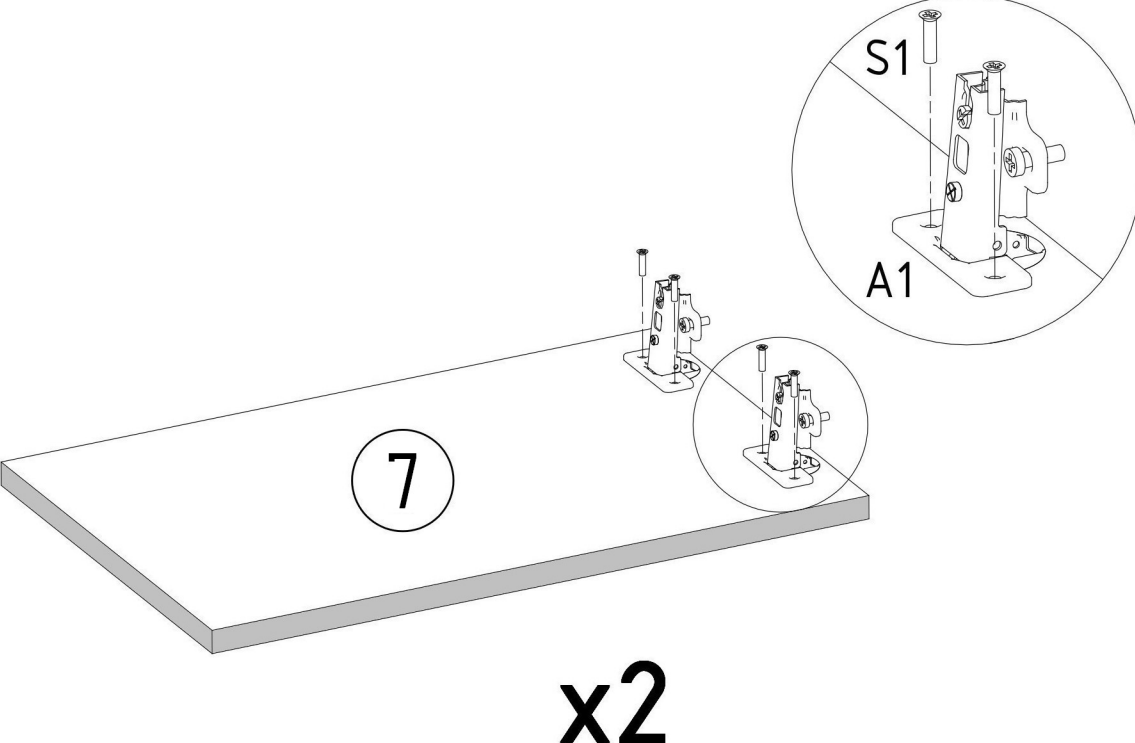
148mm

442mm

Z1

V30

<p>S1</p>  <p>3,5x16mm x8</p>	<p>A1</p>  <p>ZP x4</p>
--	---



7

S1

A1

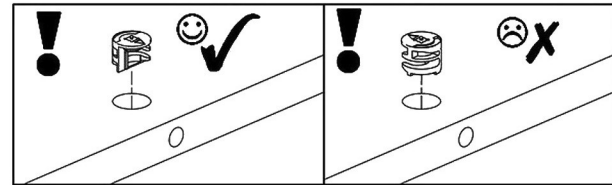
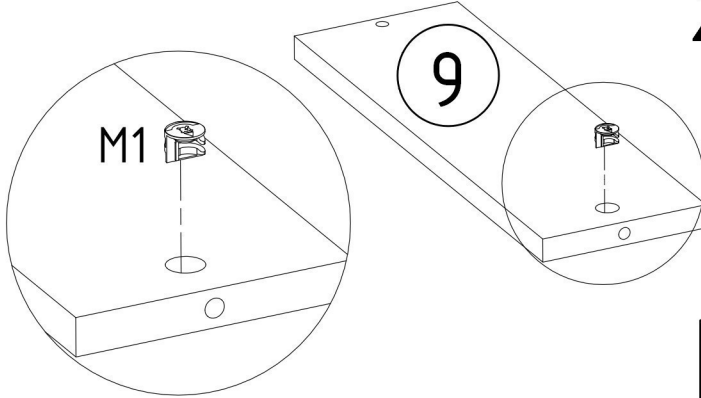
x2

M1



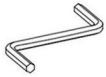
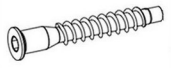
12x15mm x2

x2

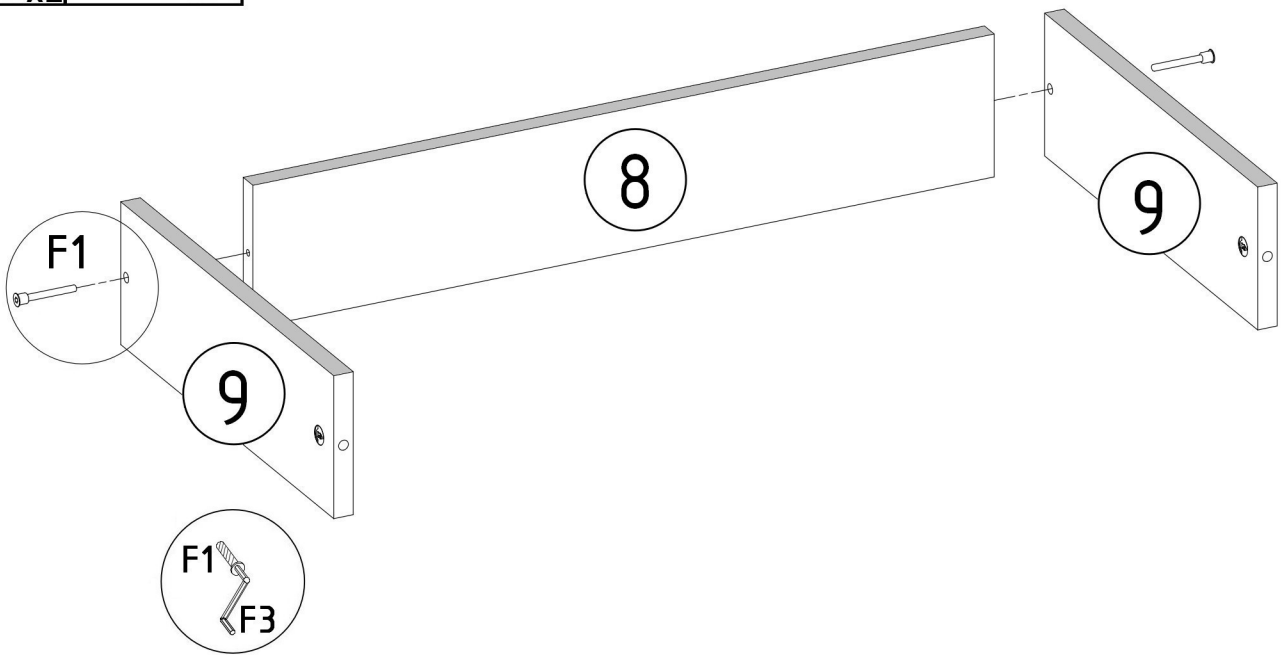


F1

F3



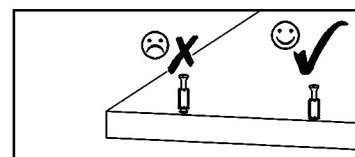
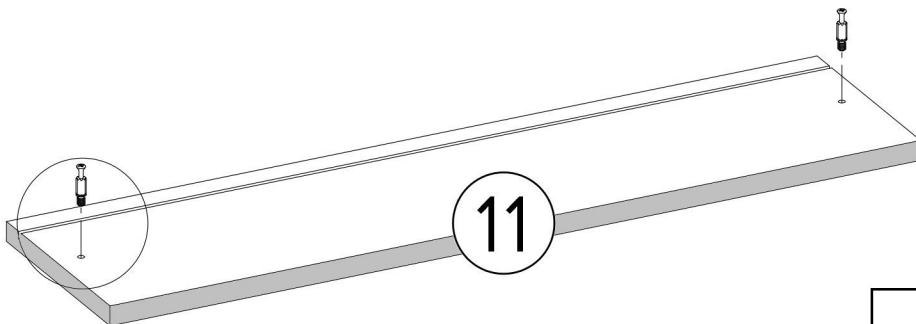
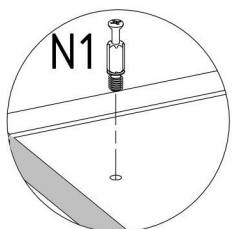
7x50mm x2




N1



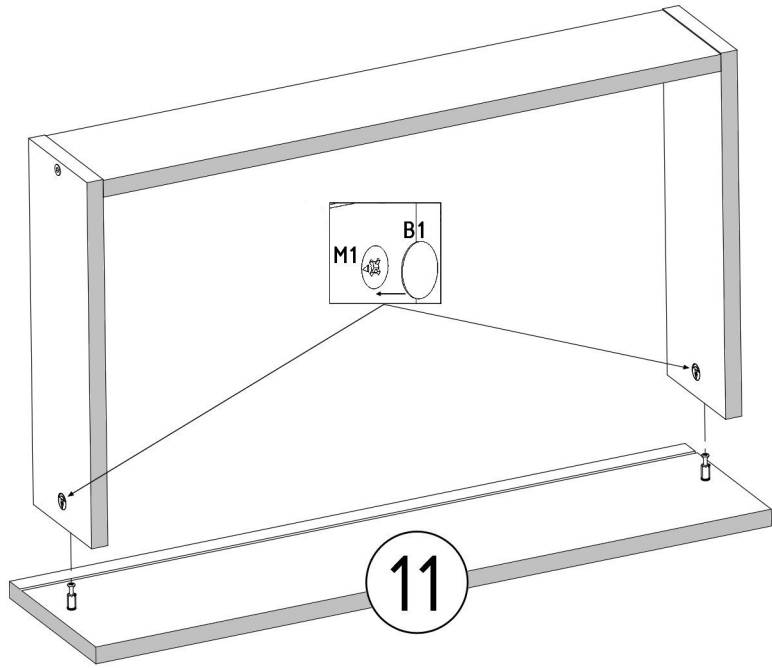
L=35mm x2



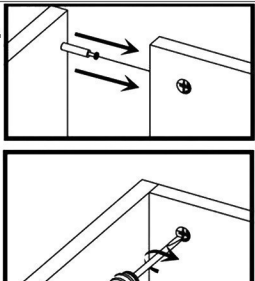
B1



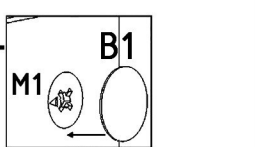
ø17/4-5mm x2



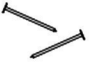
1.



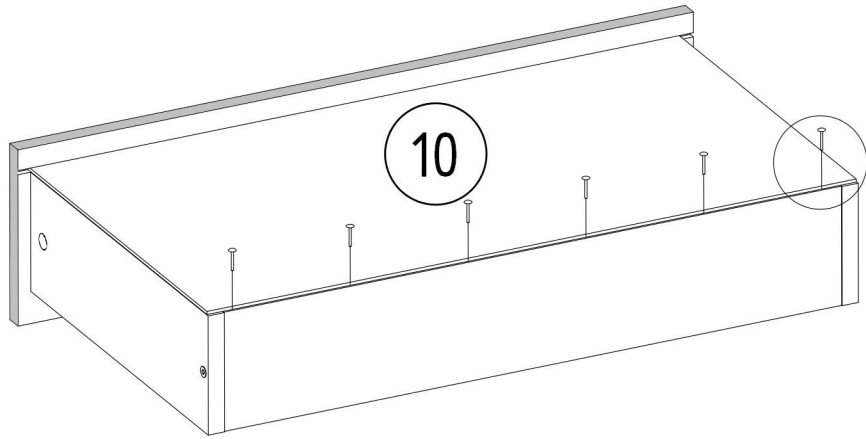
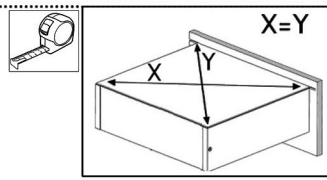
2.



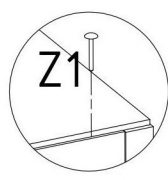
Z1



x6





X=Y




Z1

S1

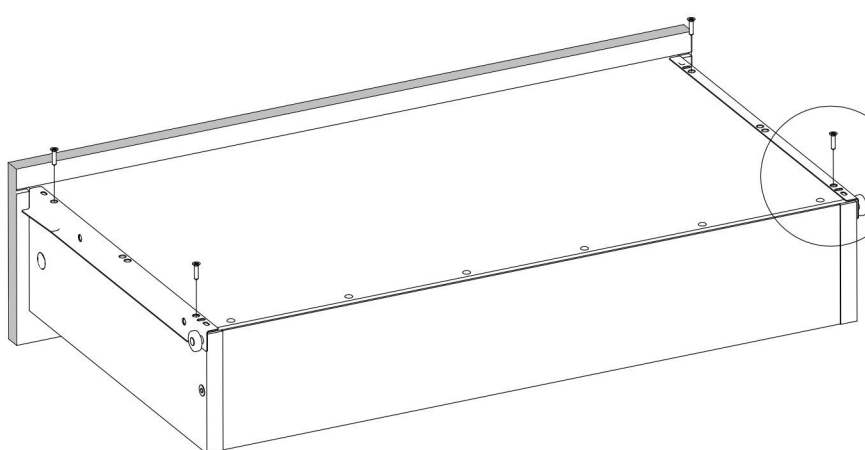
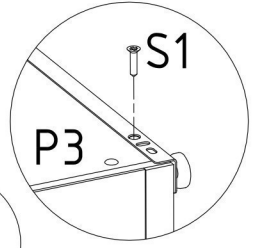


3,5x16mm x4

P3



L=350mm x2

S1

P3

