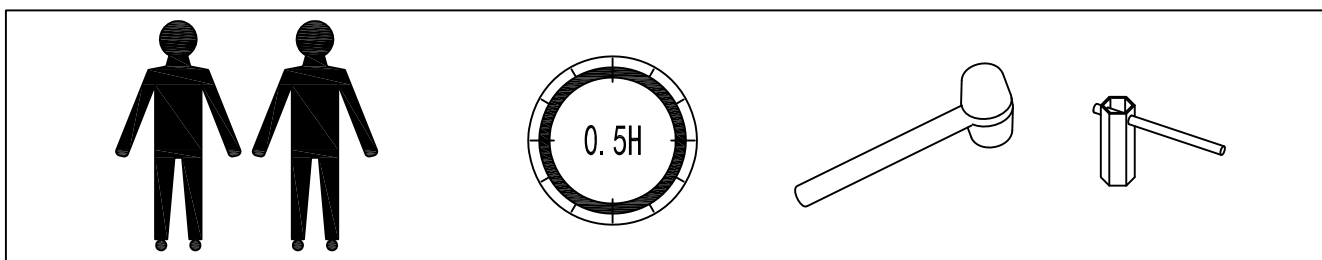
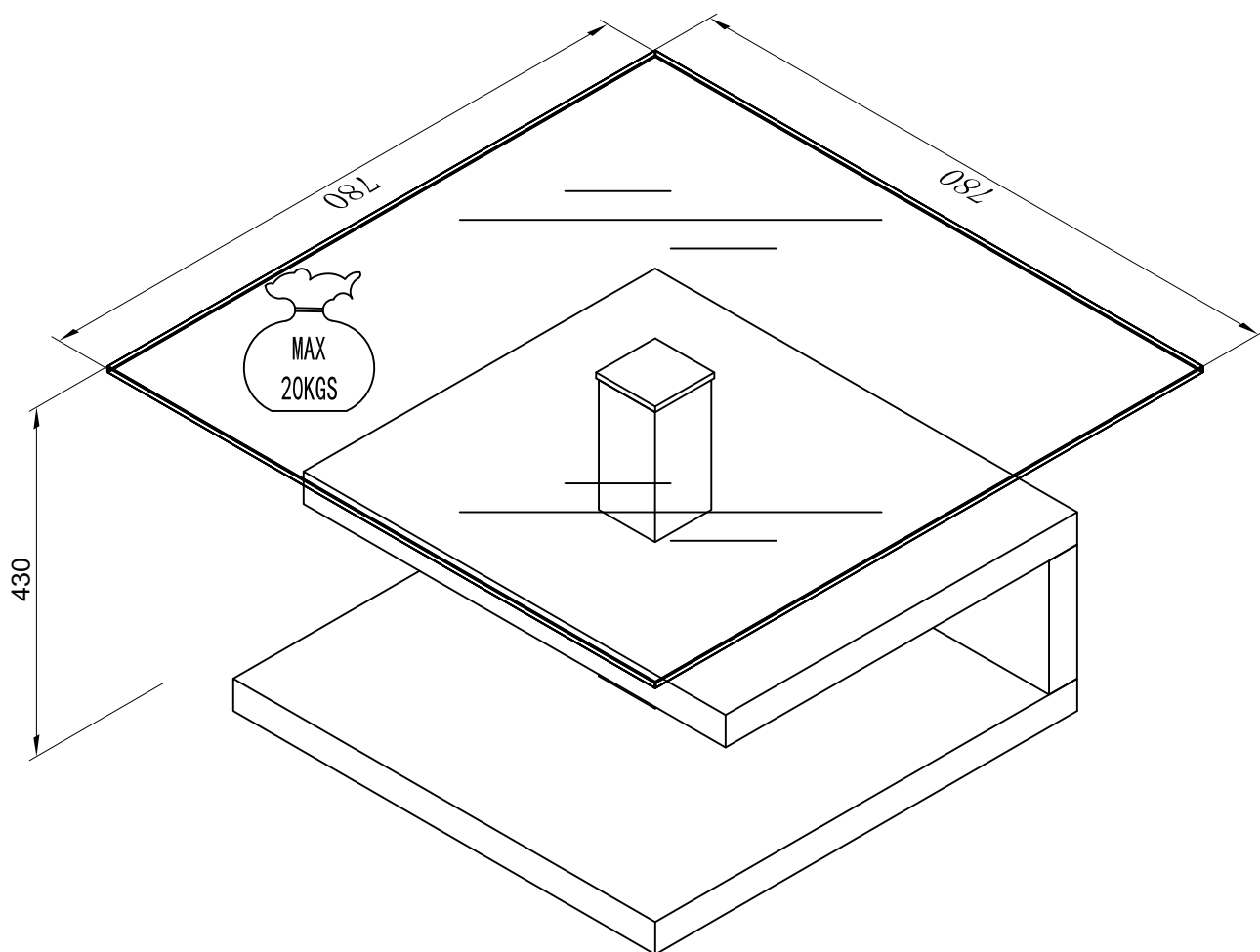
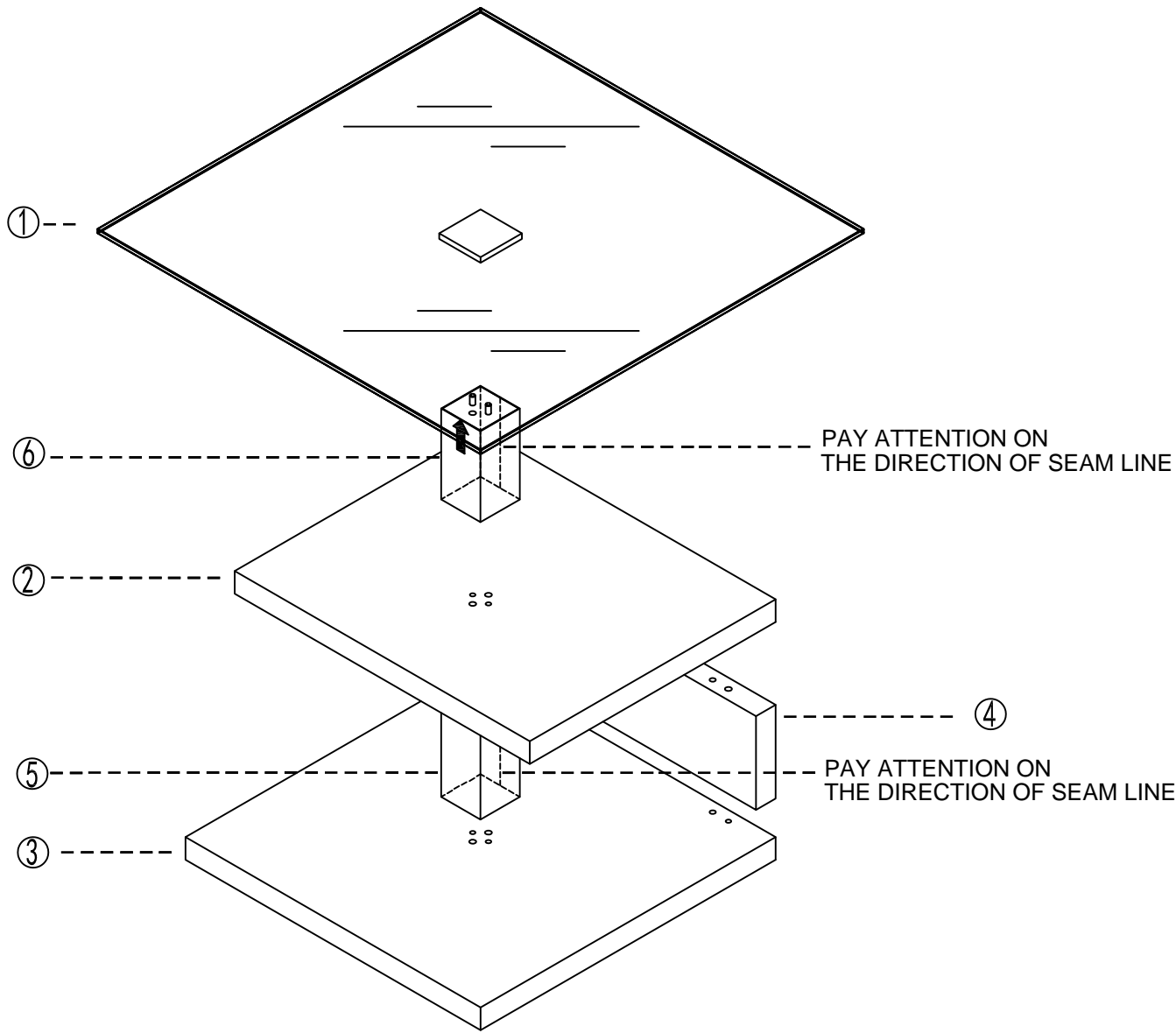


# Suzie





M8\*410

A x2



M8\*220

B x2



φ8\*40

C x10



M8

D x4



M8

E x4



M8

F x4



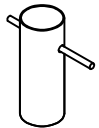
78mmX78mm

G x2



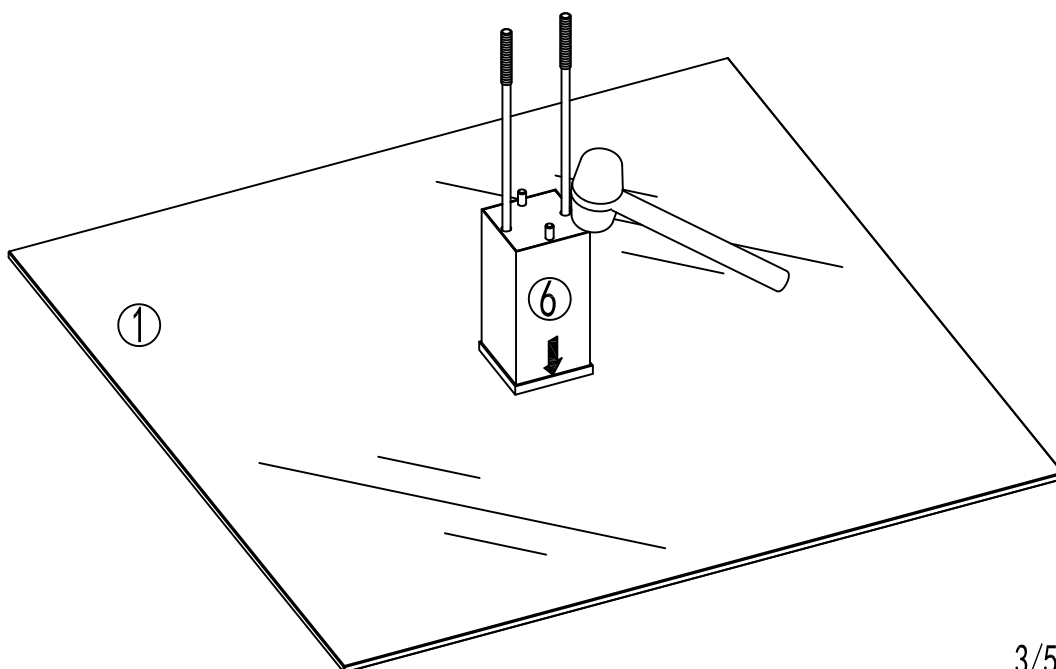
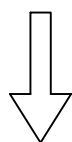
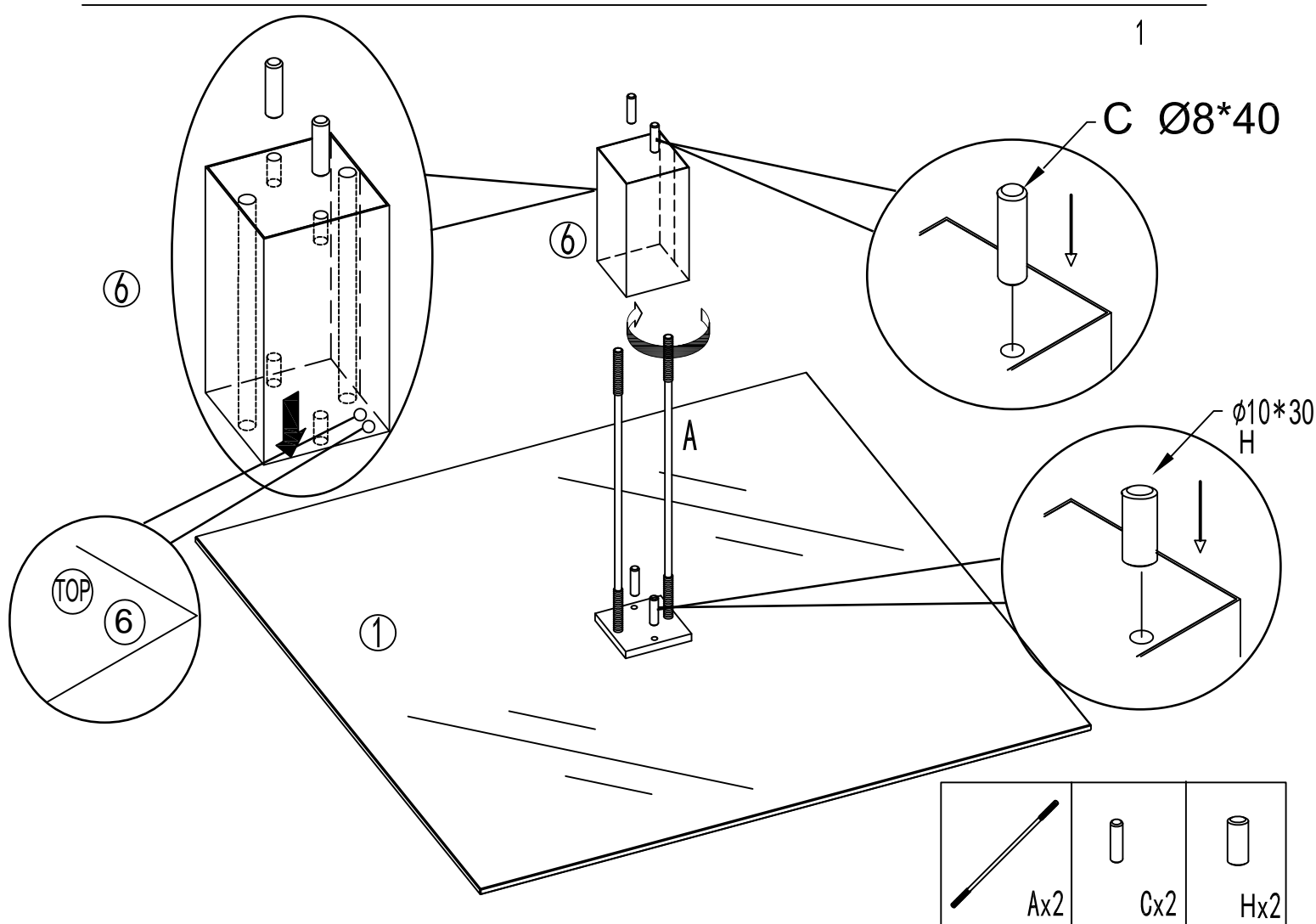
φ10\*30

H x2

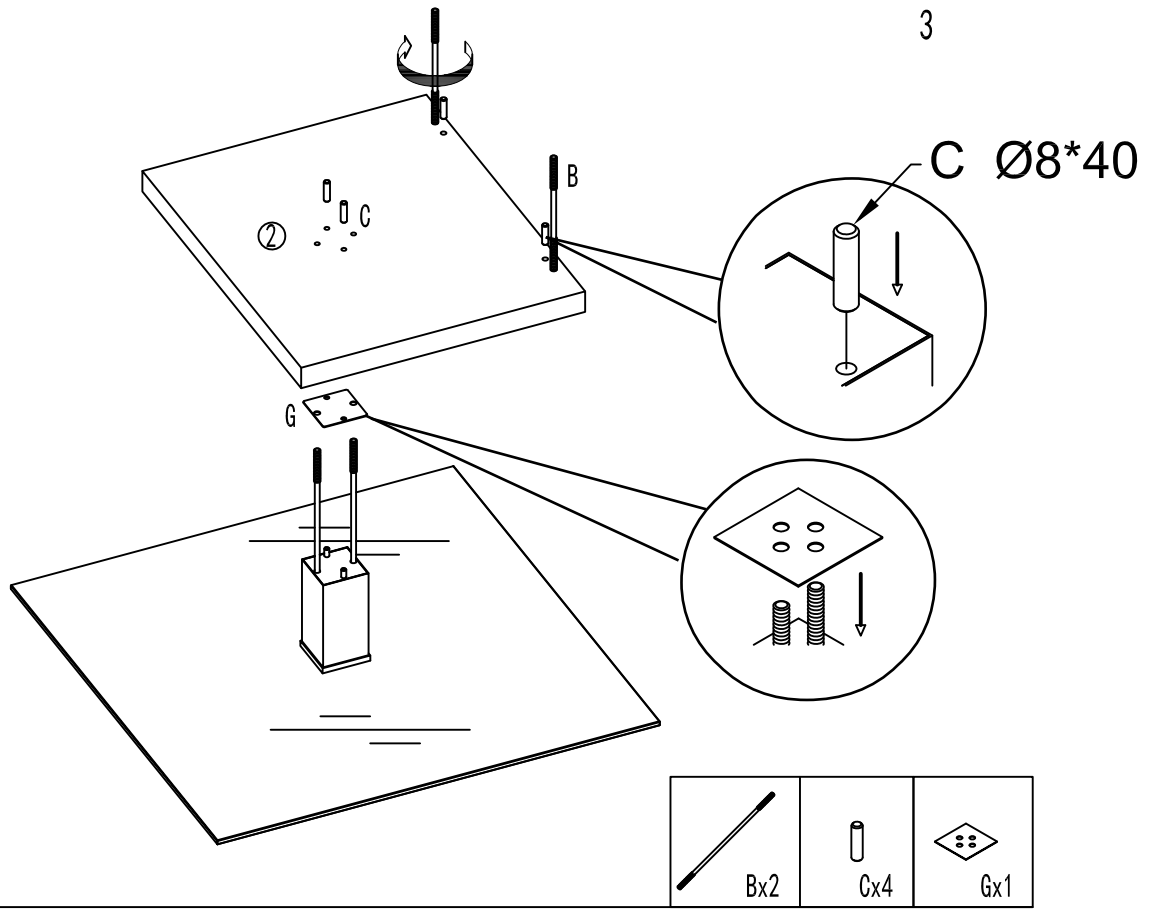


M8

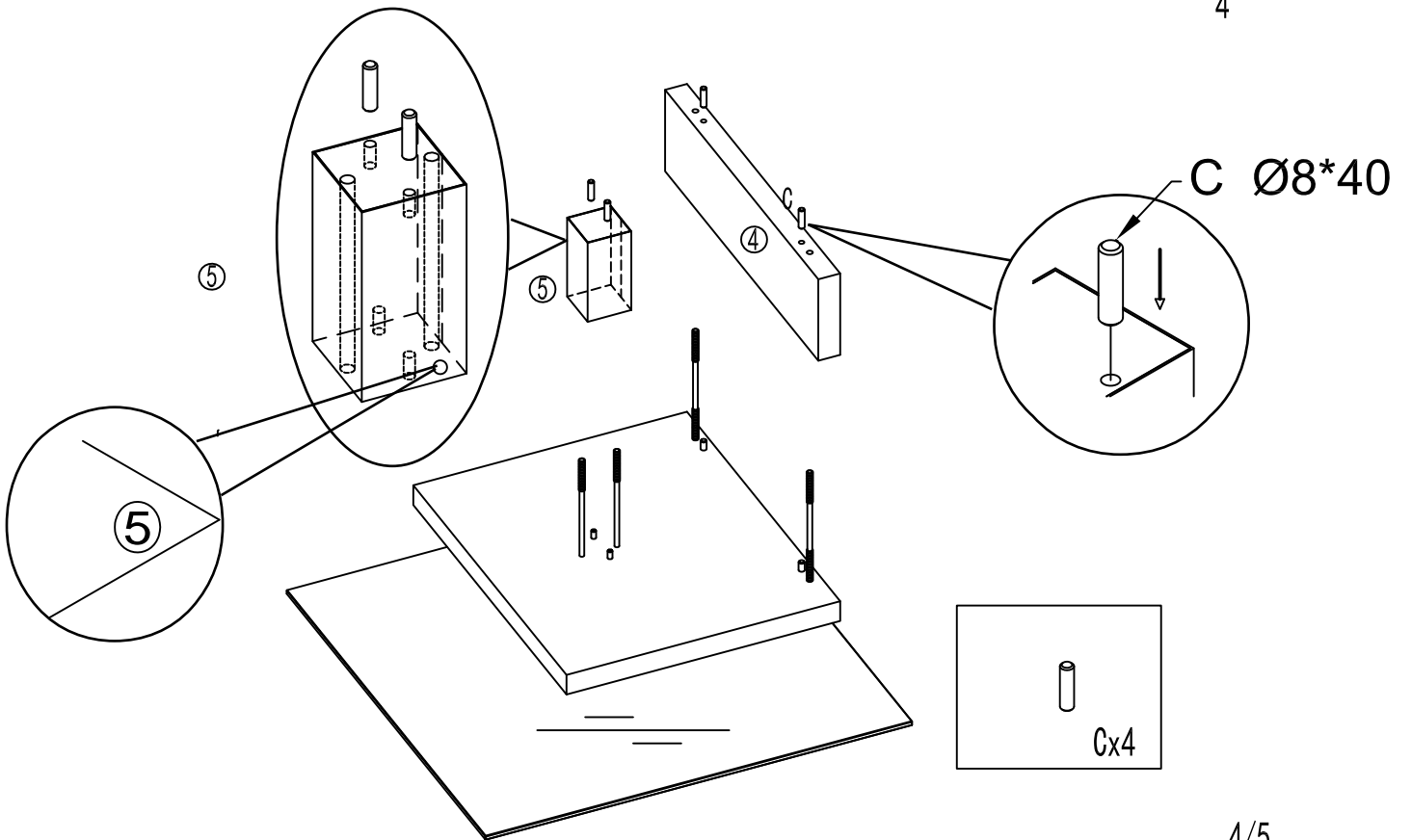
I x1



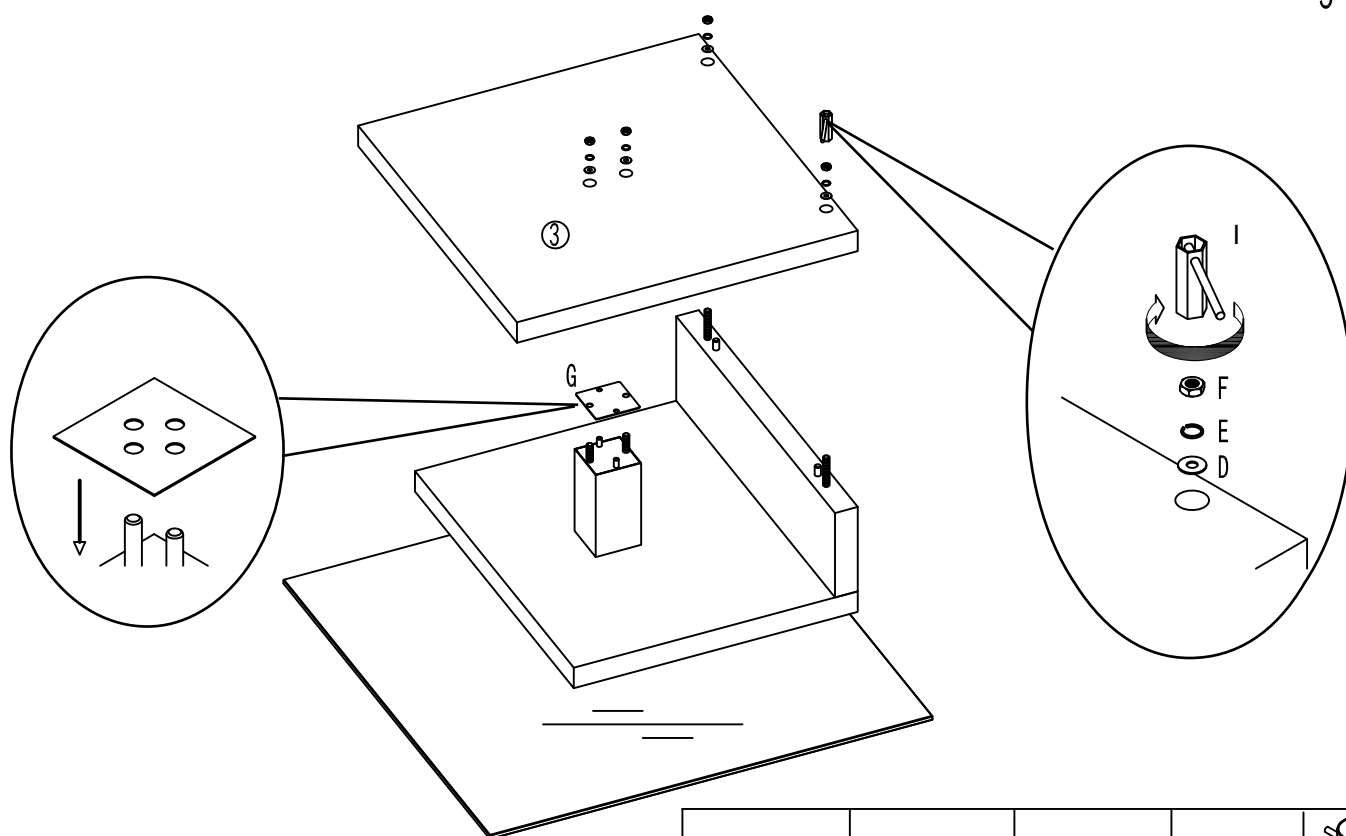
3





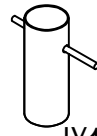


4



4/5



				
Dx4	Ex4	Fx4	Gx1	Ix1

