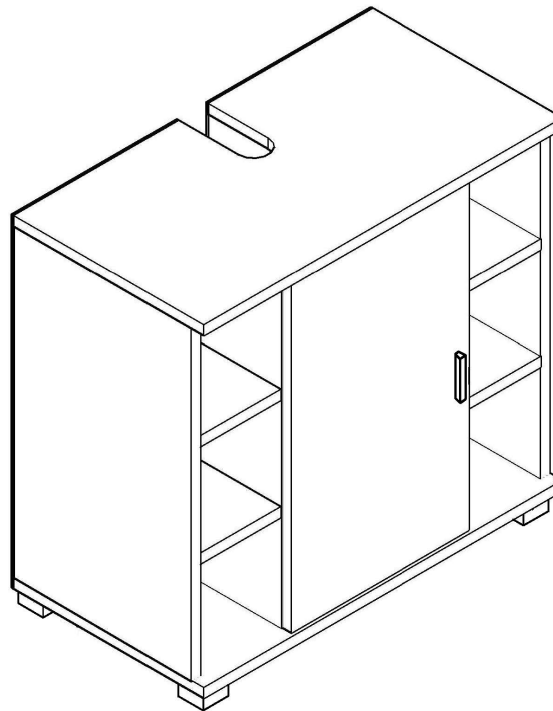
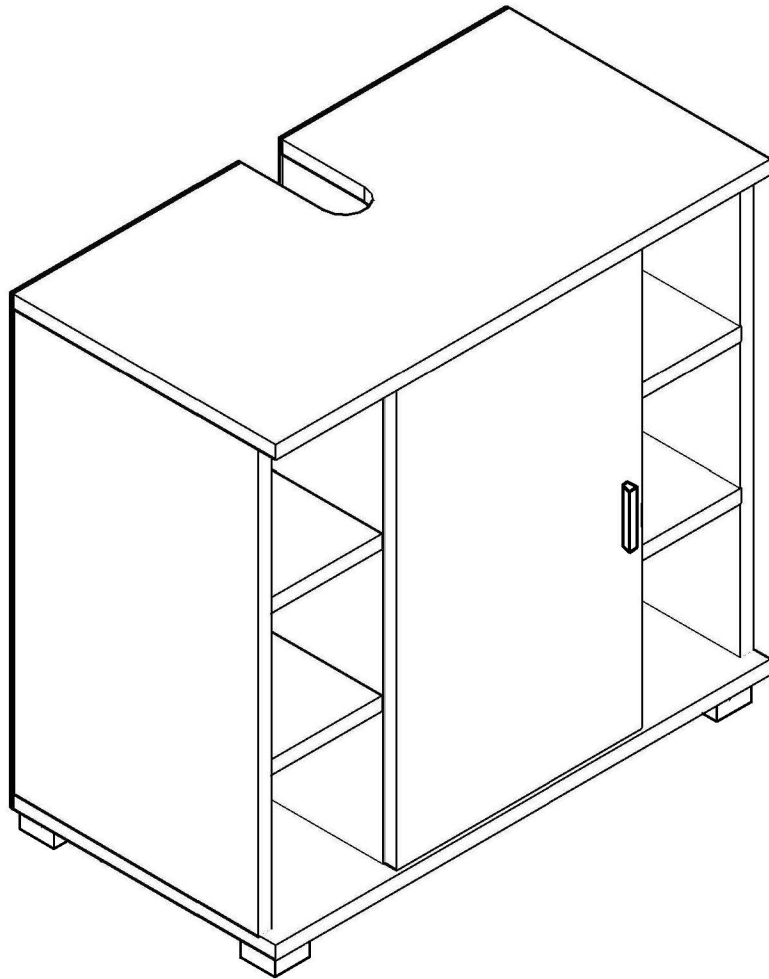


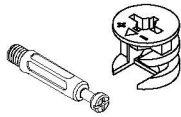
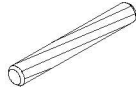

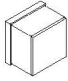


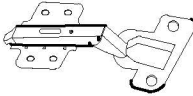

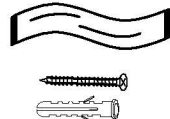
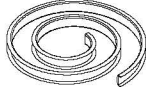


Unterschrank Zalo M
Montageanleitung
Instruction manual

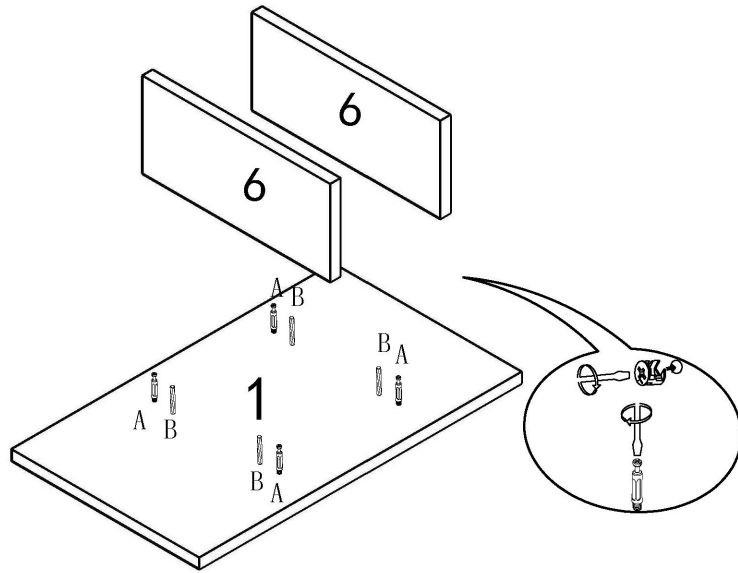


VCM Morgenthaler GmbH
D-79346 Endingen am Kaiserstuhl
service@vcm-gruppe.de
www.vcm-gruppe.de



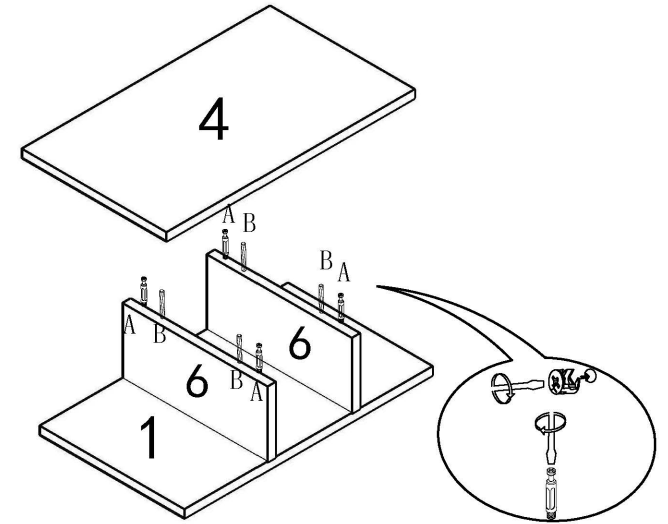
| | | | | | |
|----------|---|-----|----------|---|-----|
| A |  | 36x | B |  | 36x |
| C |  3.5*14mm | 30x | D |  | 4x |
| E |  18mm | 1x | F |  | 16x |
| G |  | 2x | H |  | 43x |
| I |  | 2x | J |  450 mm | 1x |

1



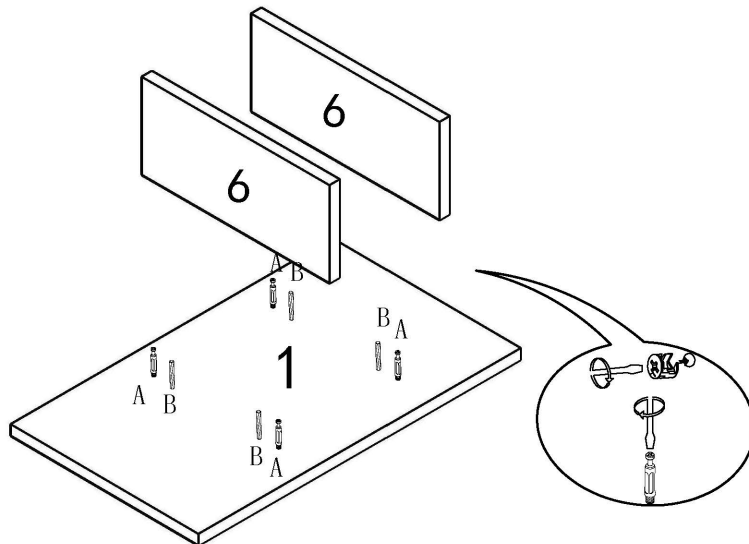
AX4 BX4

2



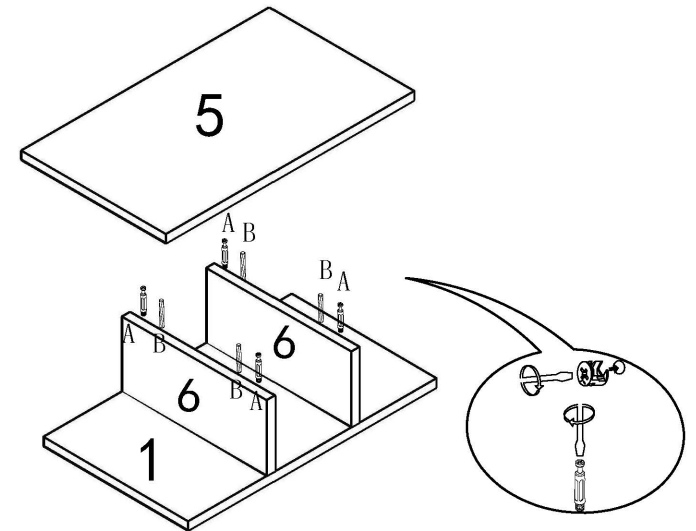
AX4 BX4

3



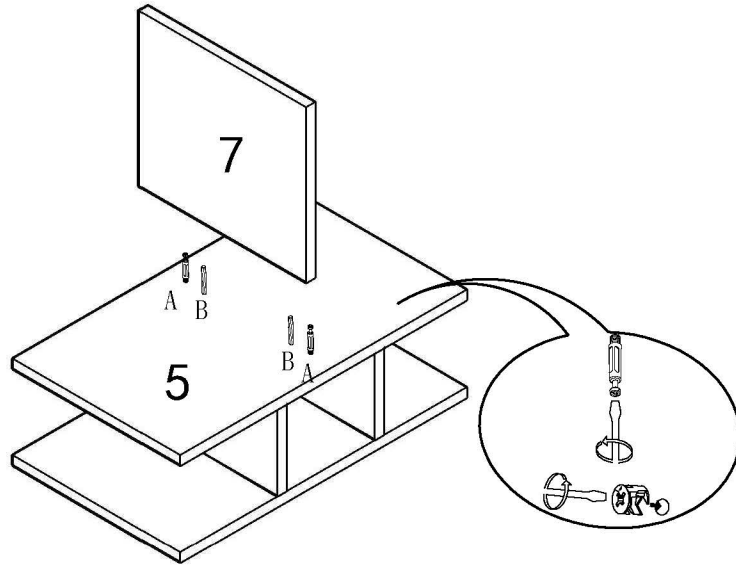
AX4 BX4

4



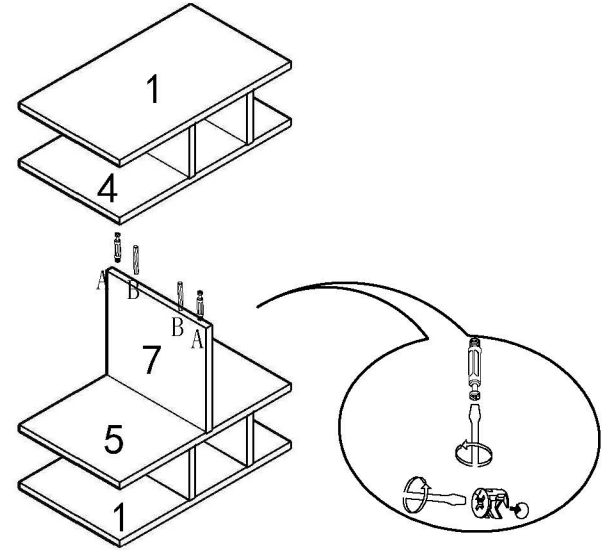
AX4 BX4

5



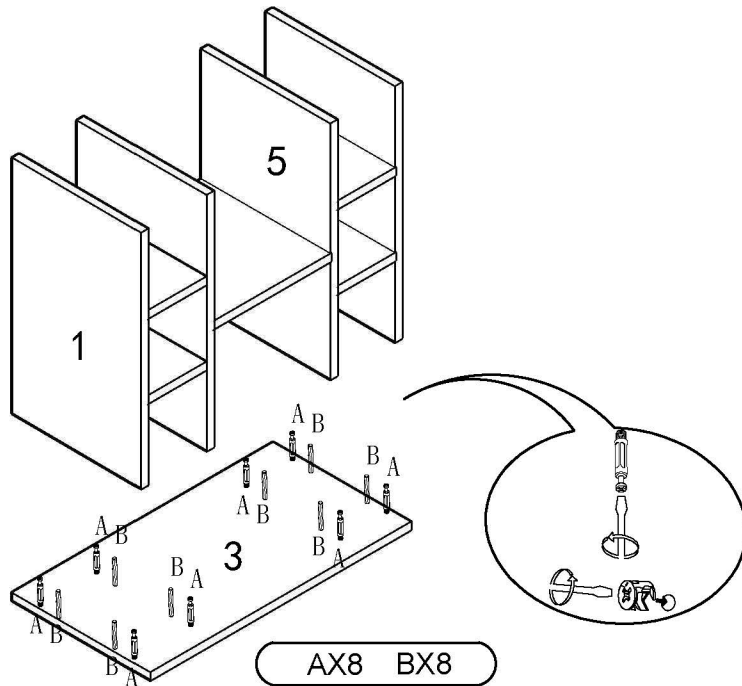
AX2 BX2

6

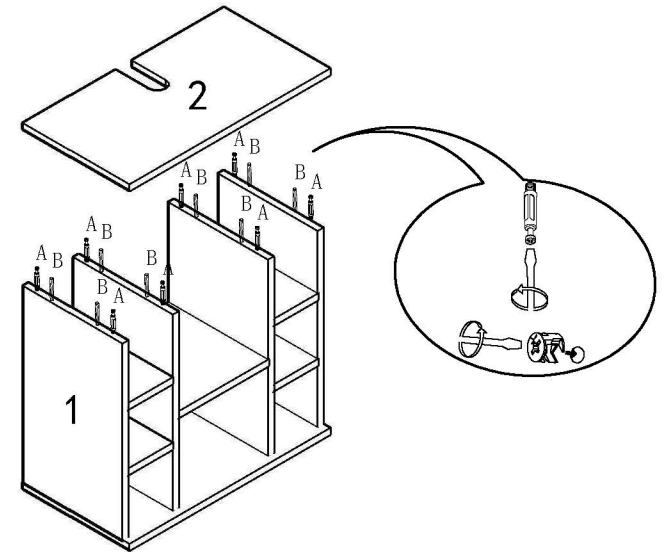
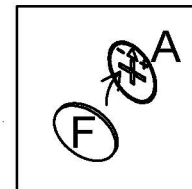


AX2 BX2

7

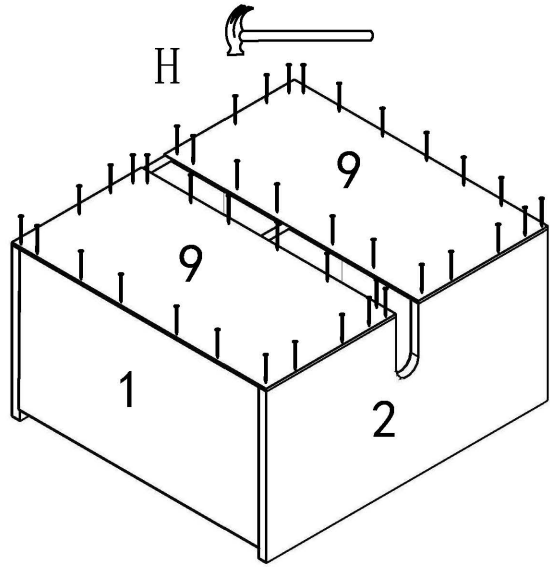


AX8 BX8



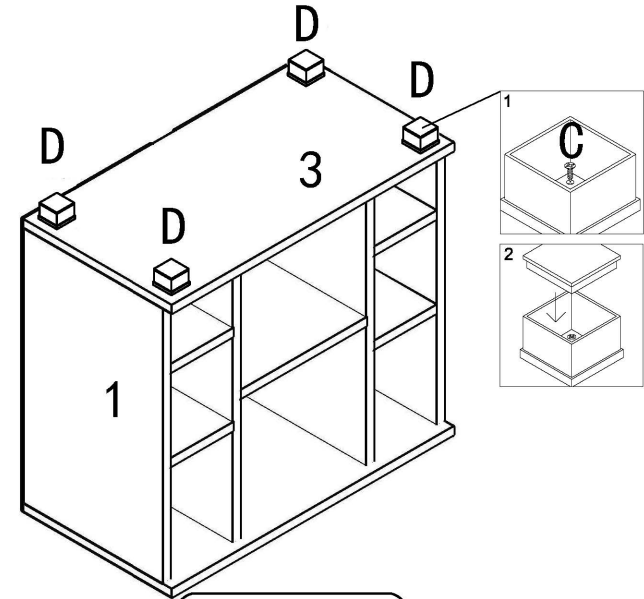
AX8 BX8 FX16

9



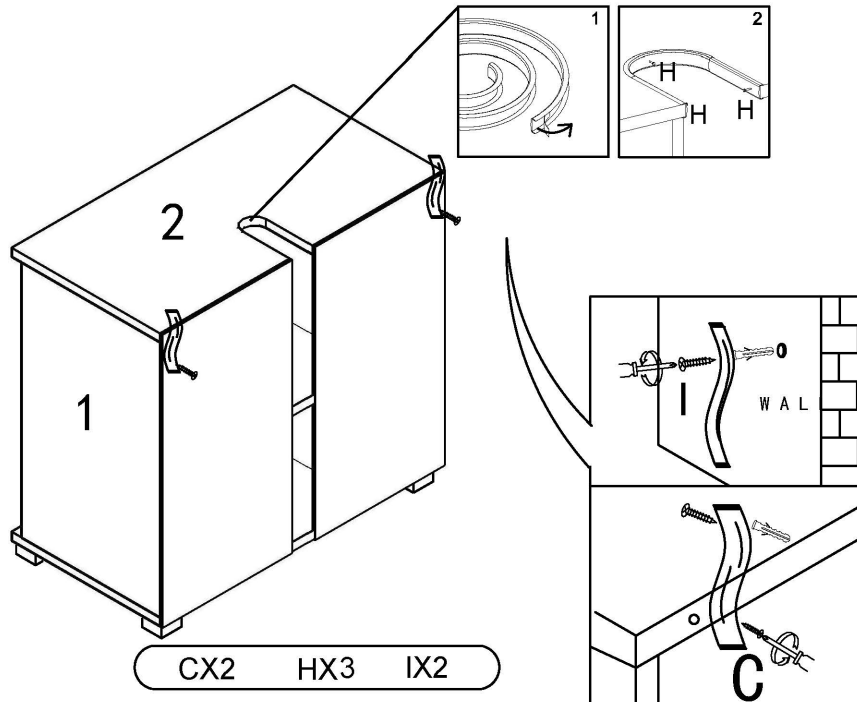
HX40

10



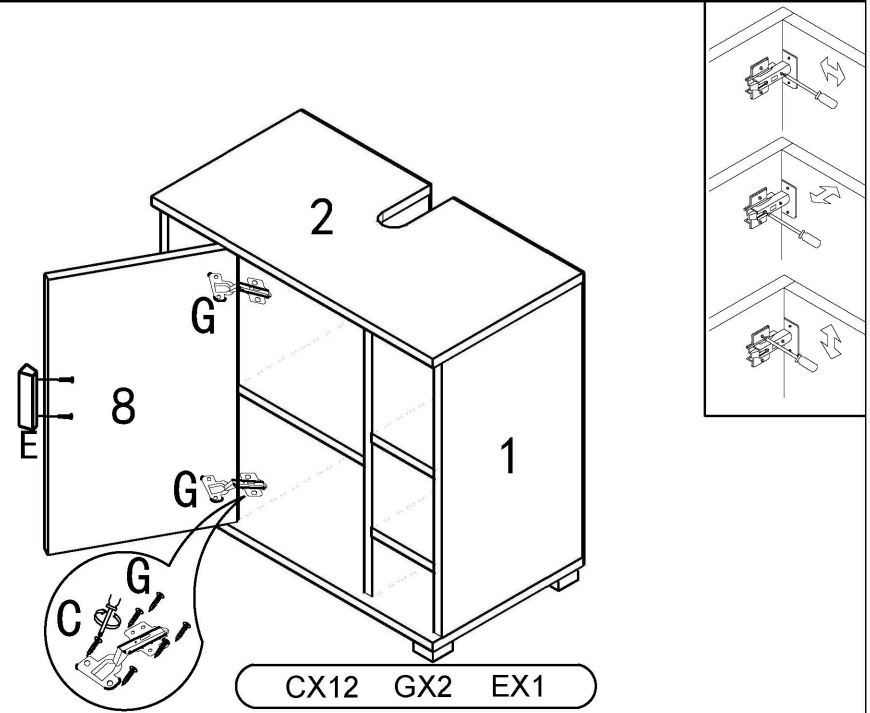
CX16 DX4

11



CX2 HX3 IX2

12



CX12 GX2 EX1