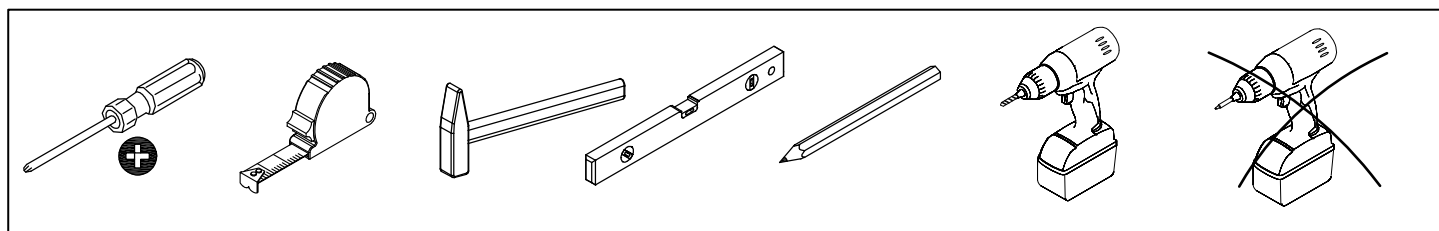
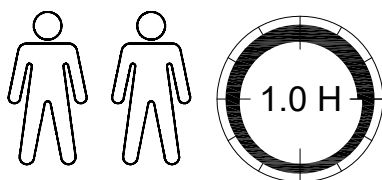
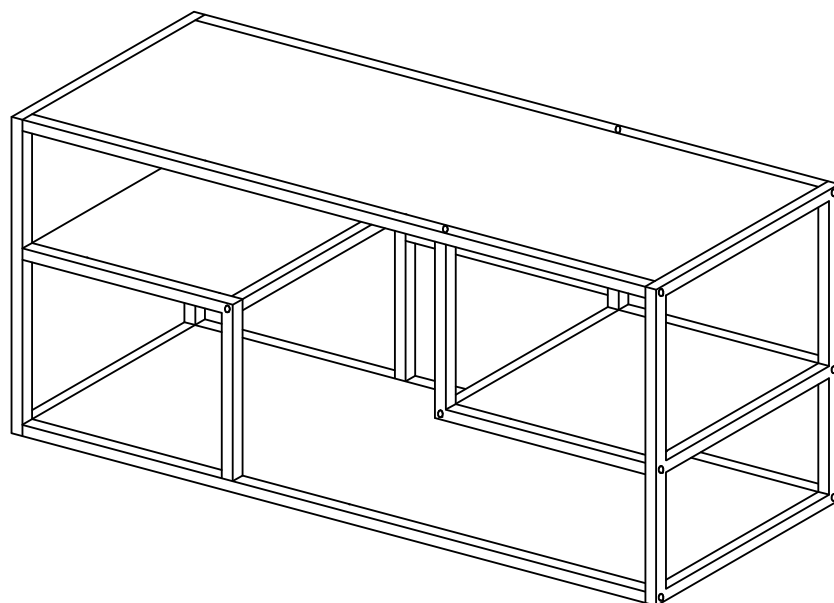
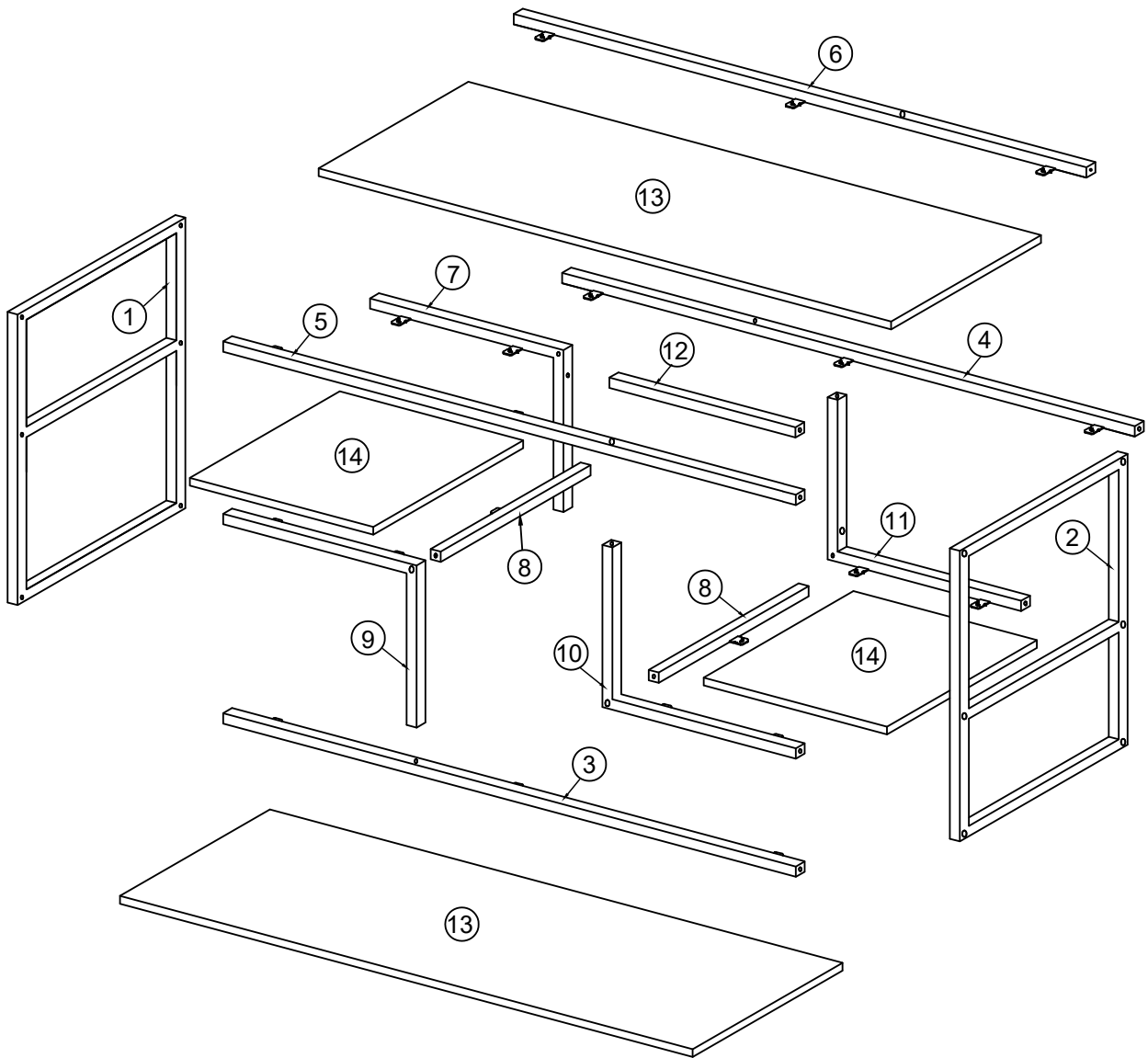


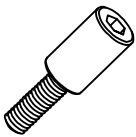


SEAFORD



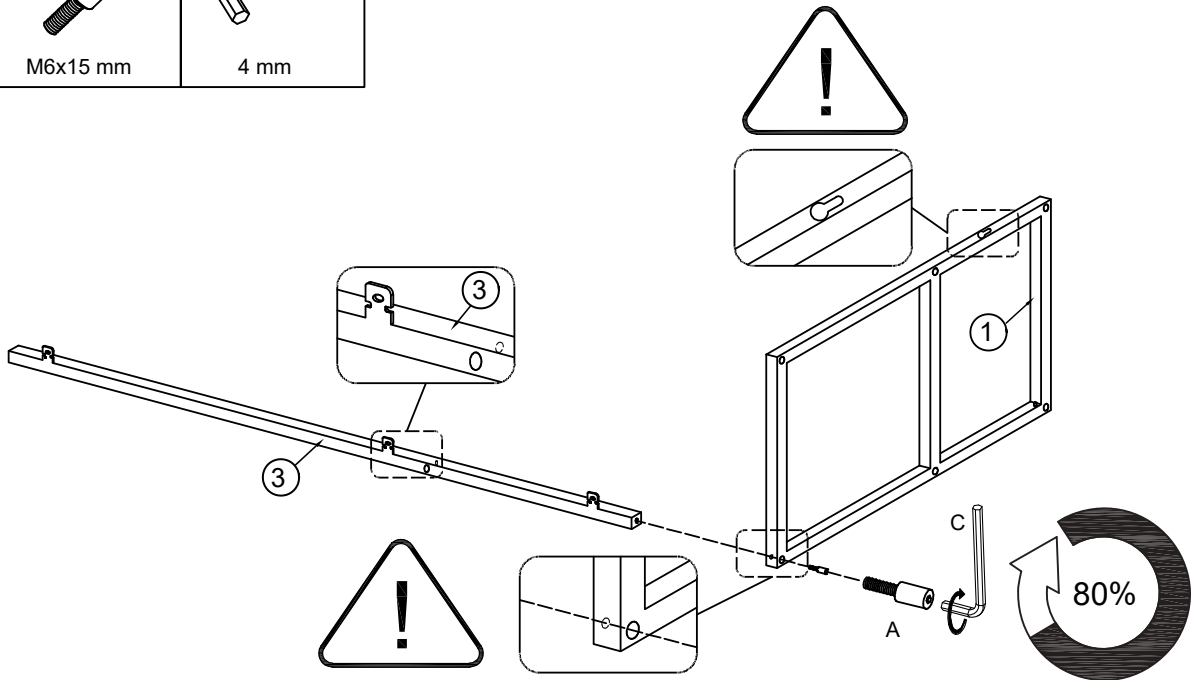
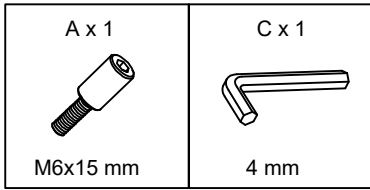
			✓
①	1	450x300x16mm	
②	1	450x300x16mm	
③	1	918x36x16mm	
④	1	918x36x16mm	
⑤	1	918x36x16mm	
⑥	1	918x36x16mm	
⑦	1	311x252x36/16mm	

			✓
⑧	2	268x36x16mm	
⑨	1	311x252x36/16mm	
⑩	1	311x252x36/16mm	
⑪	1	311x252x36/16mm	
⑫	1	295x16x16mm	
⑬	2	917x267x12mm	
⑭	2	294x267x12mm	

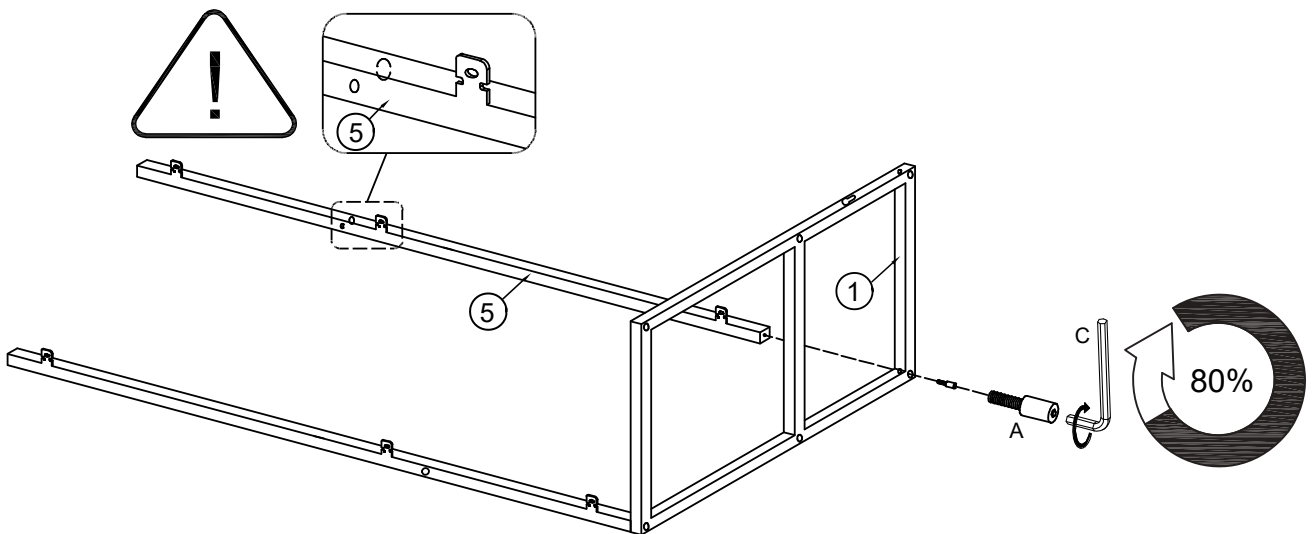
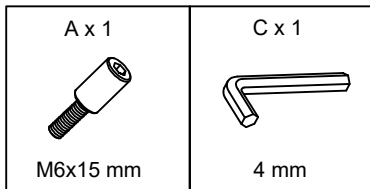


<p>A x 22</p>  <p>M6x15 mm</p>	<p>B x 22</p>  <p>Ø4x12 mm</p>	<p>C x 1</p>  <p>4 mm</p>
---	---	--

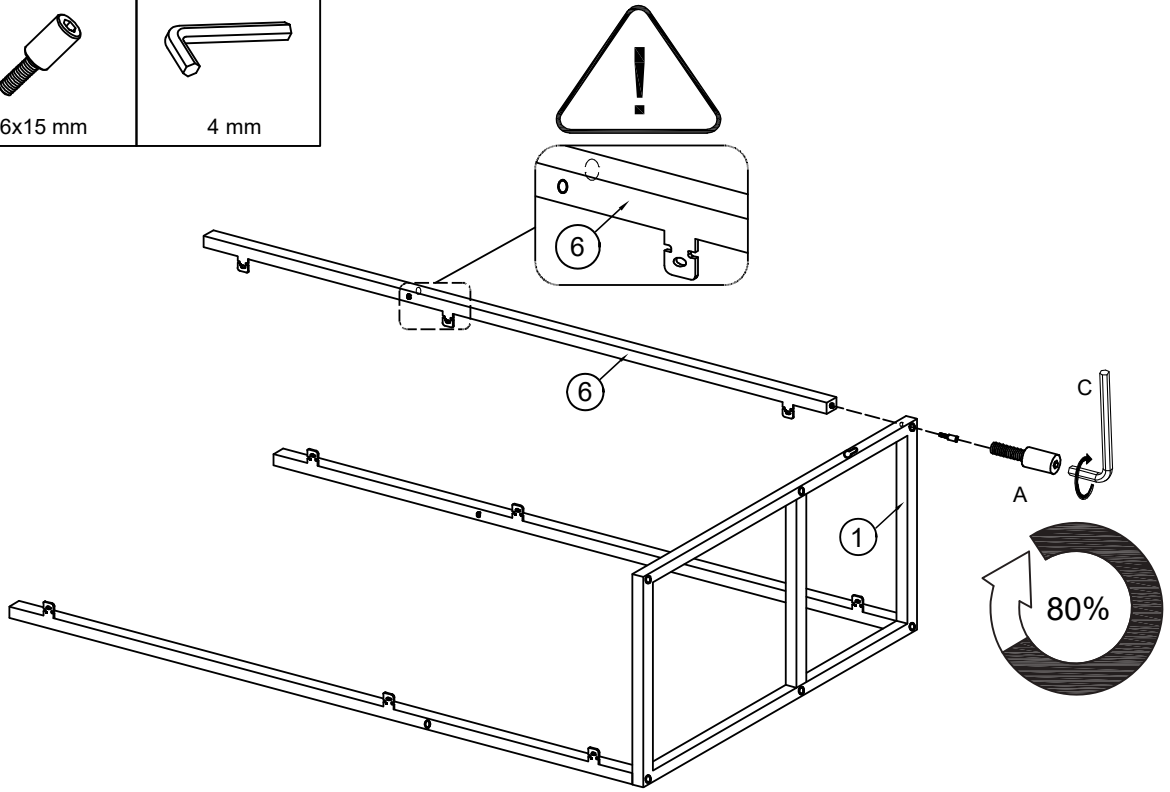
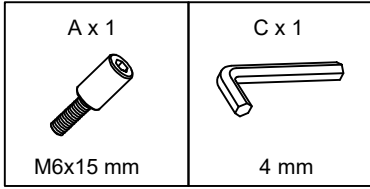
1



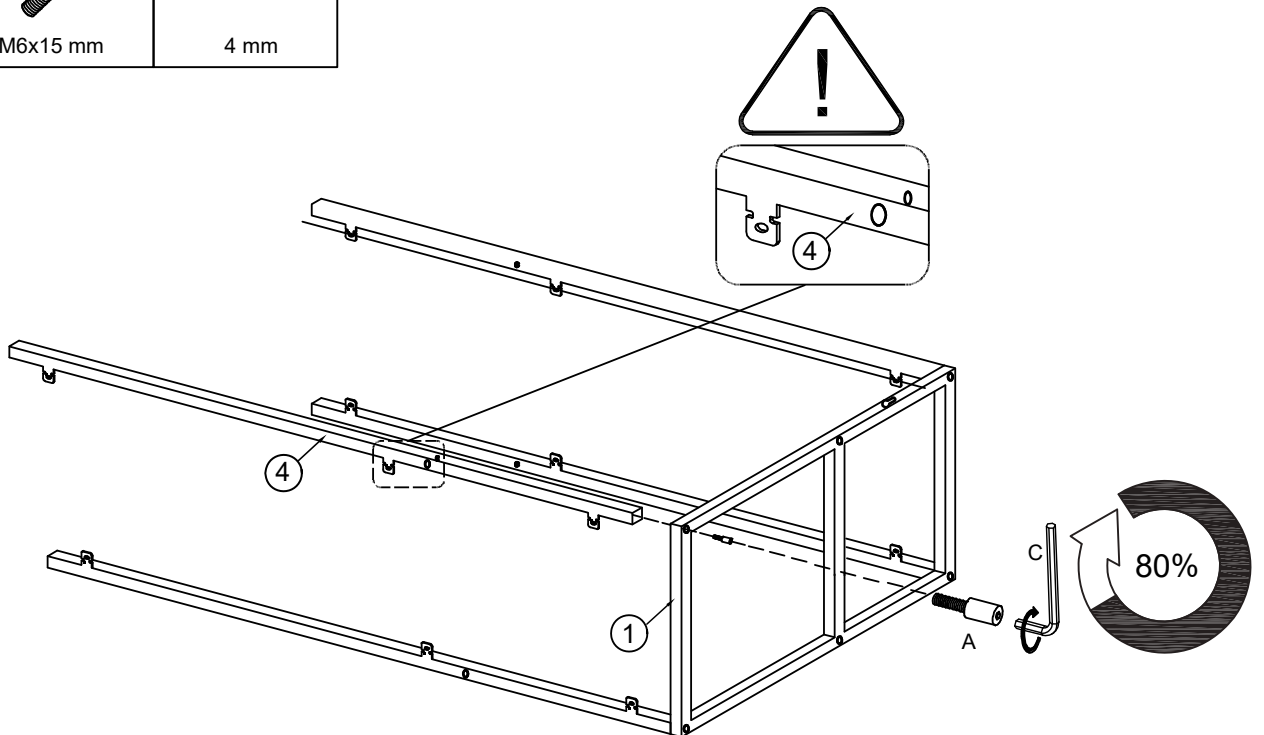
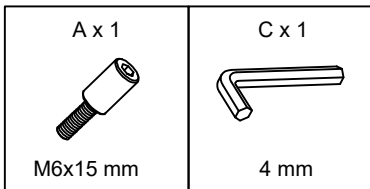
2





3

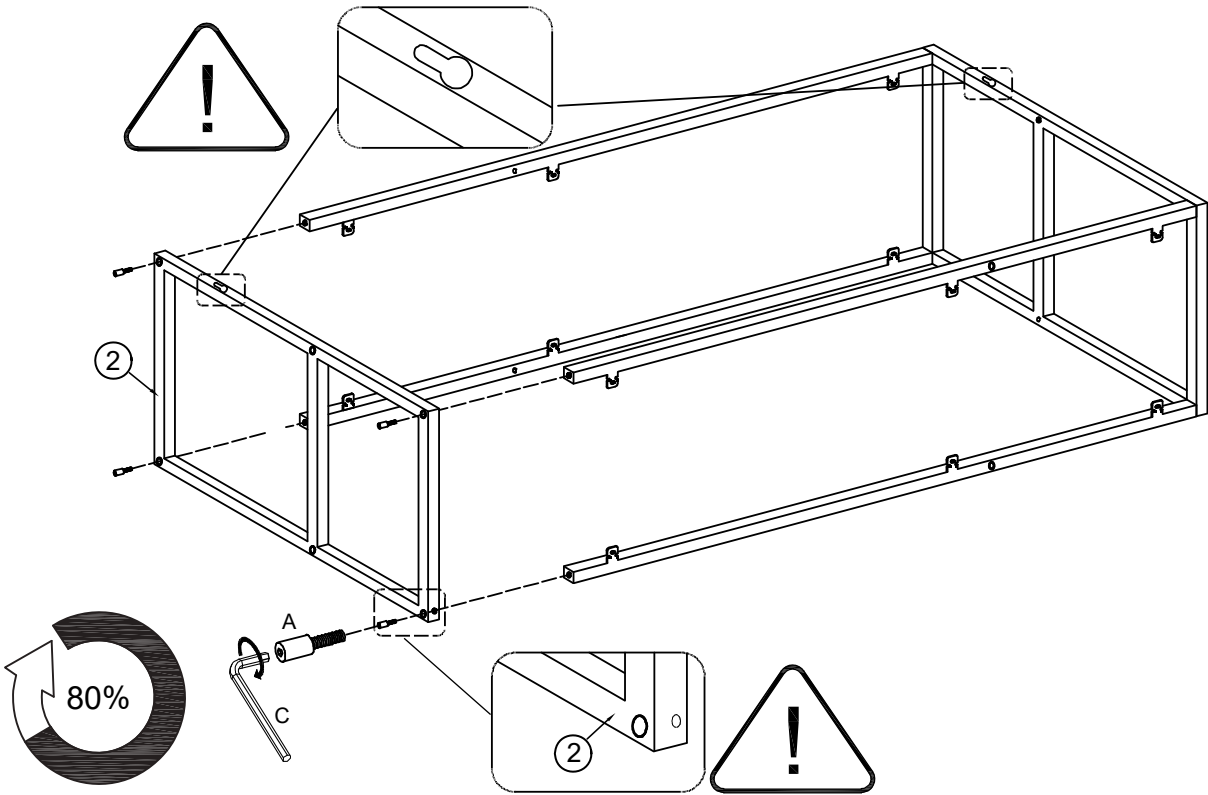


4





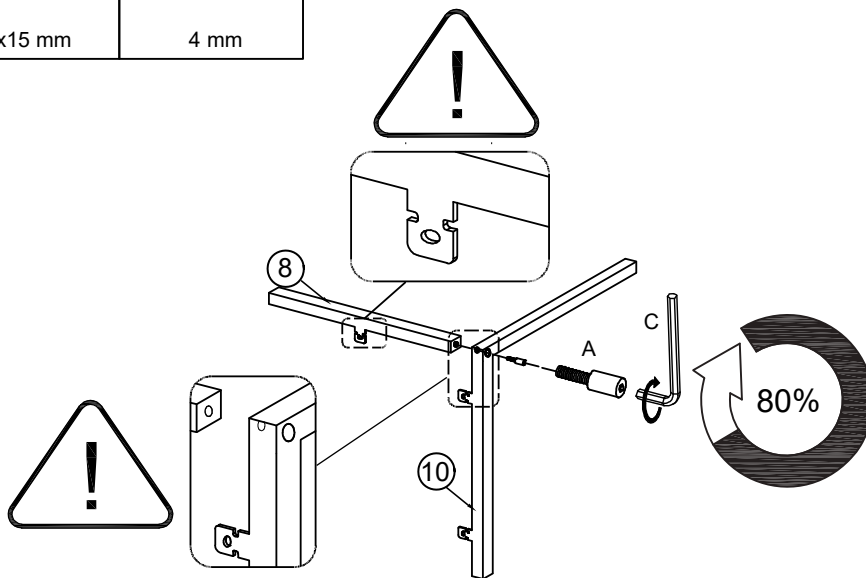
5

A x 4  M6x15 mm	C x 1  4 mm
--	--

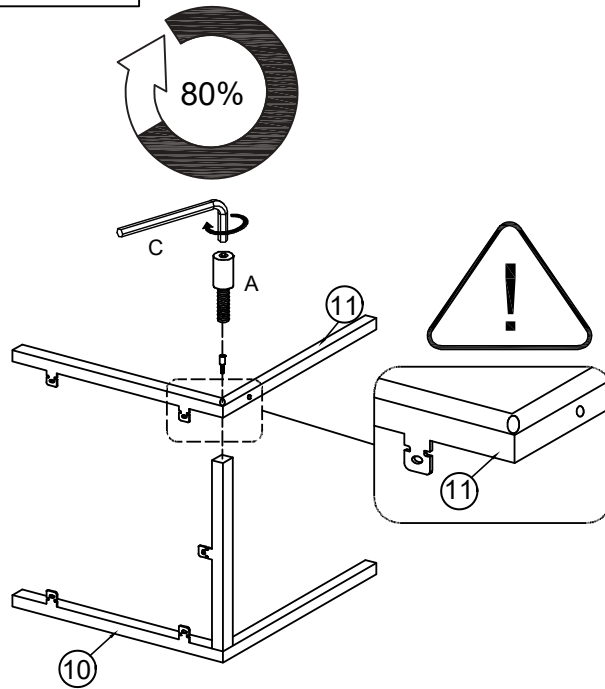
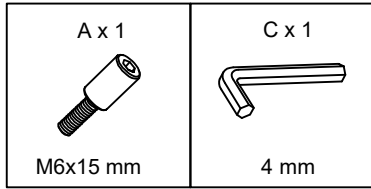


6

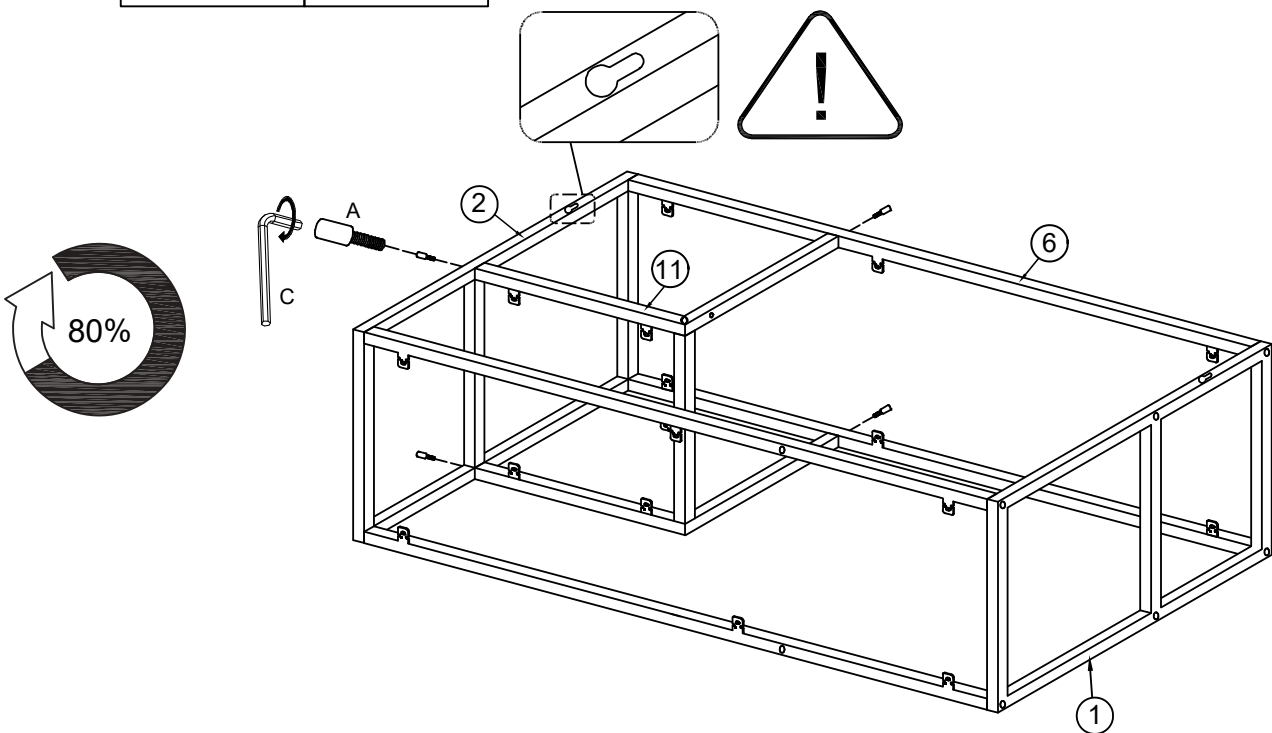
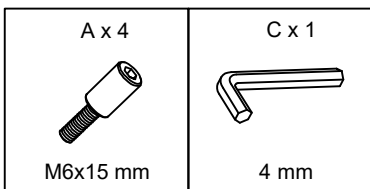
A x 1  M6x15 mm	C x 1  4 mm
--	--



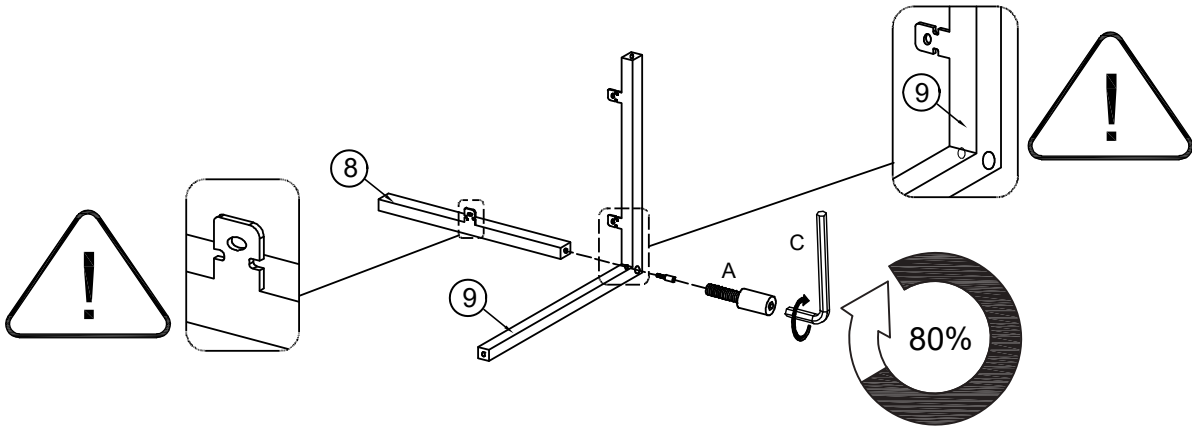
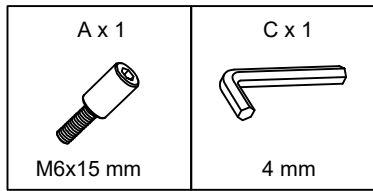
7



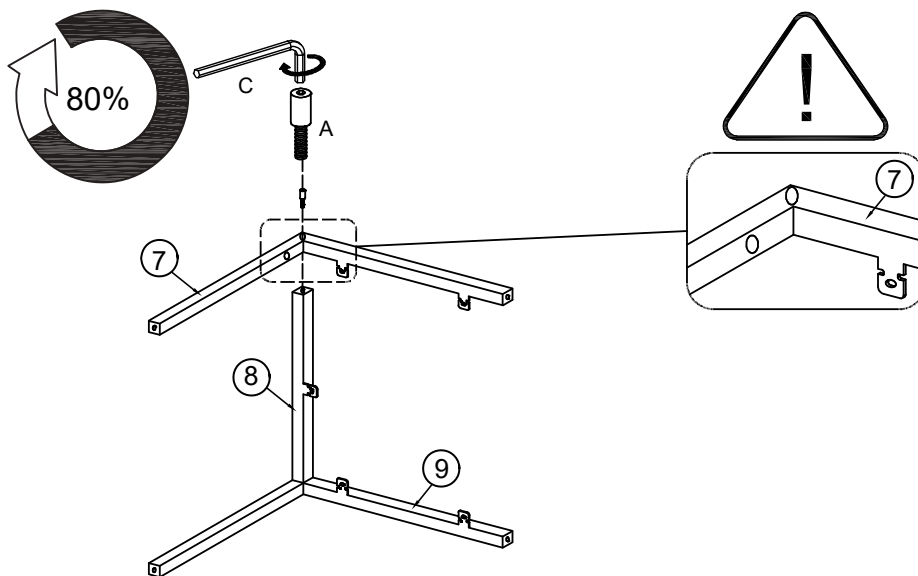
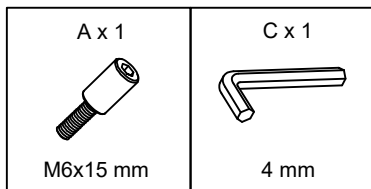
8



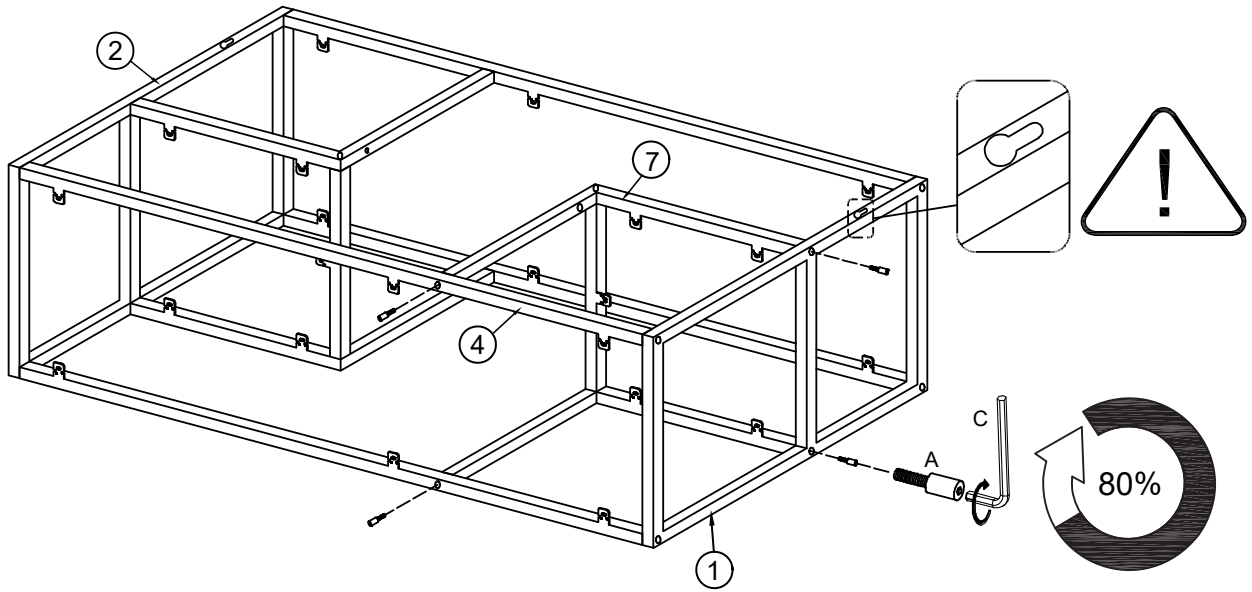
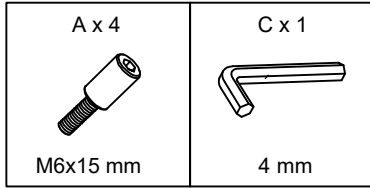
9



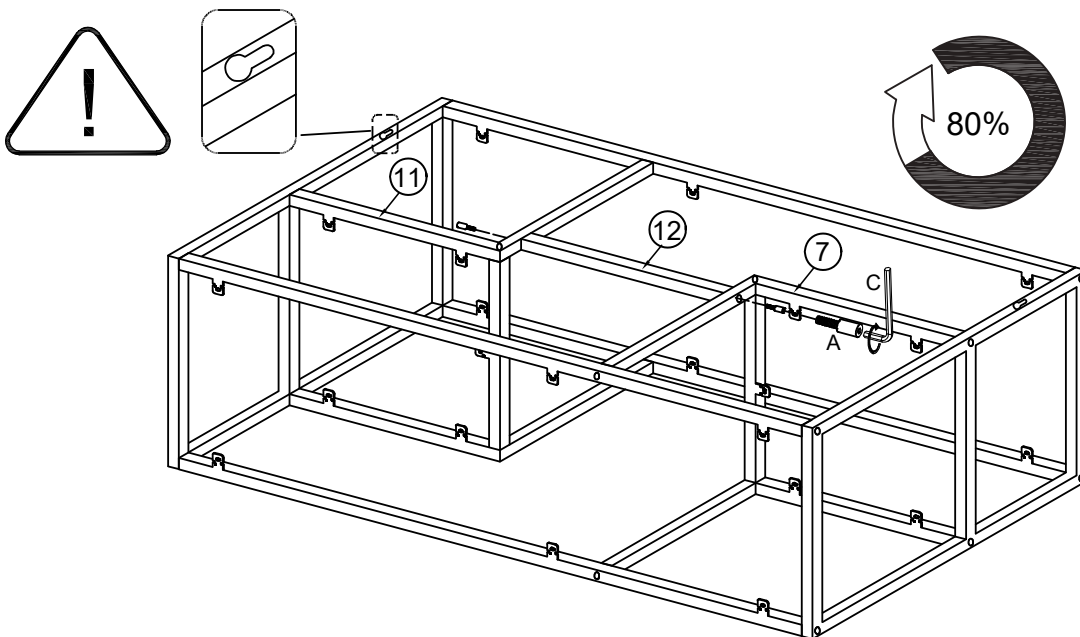
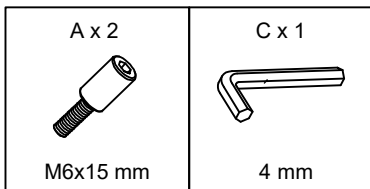
10



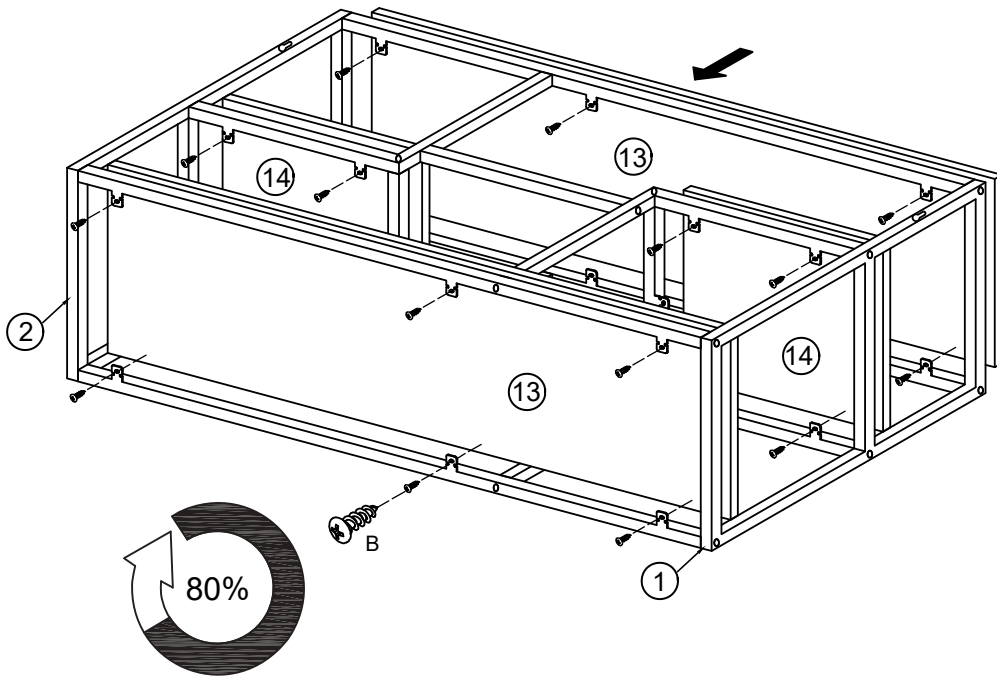
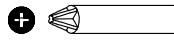
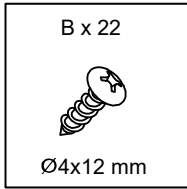
11



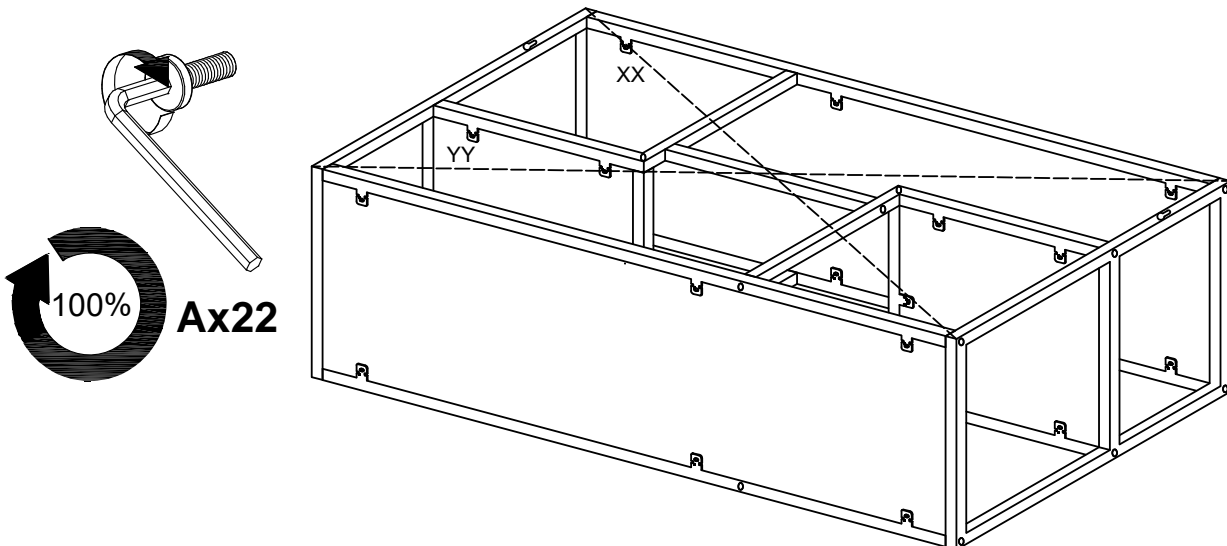
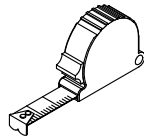
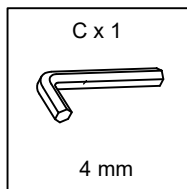
12



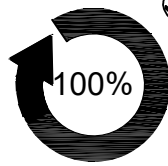
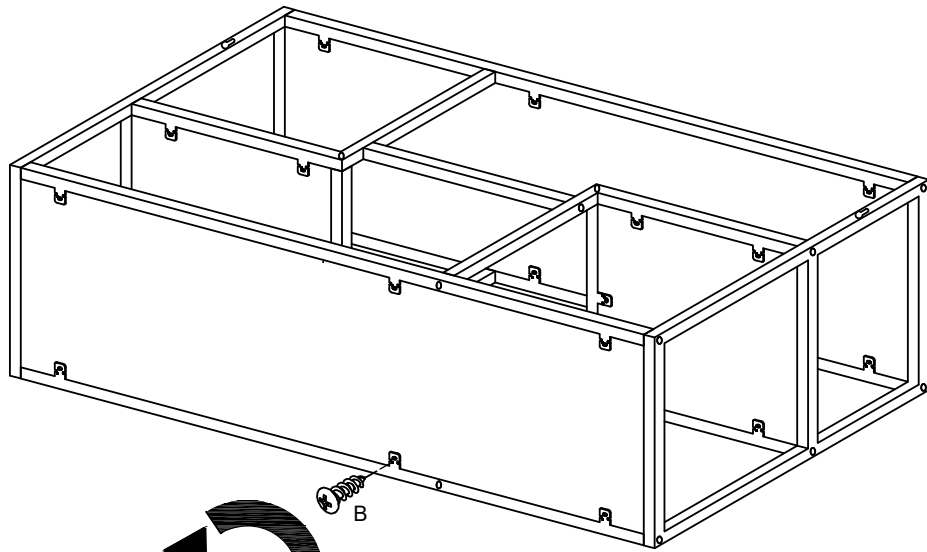
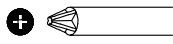
13



14

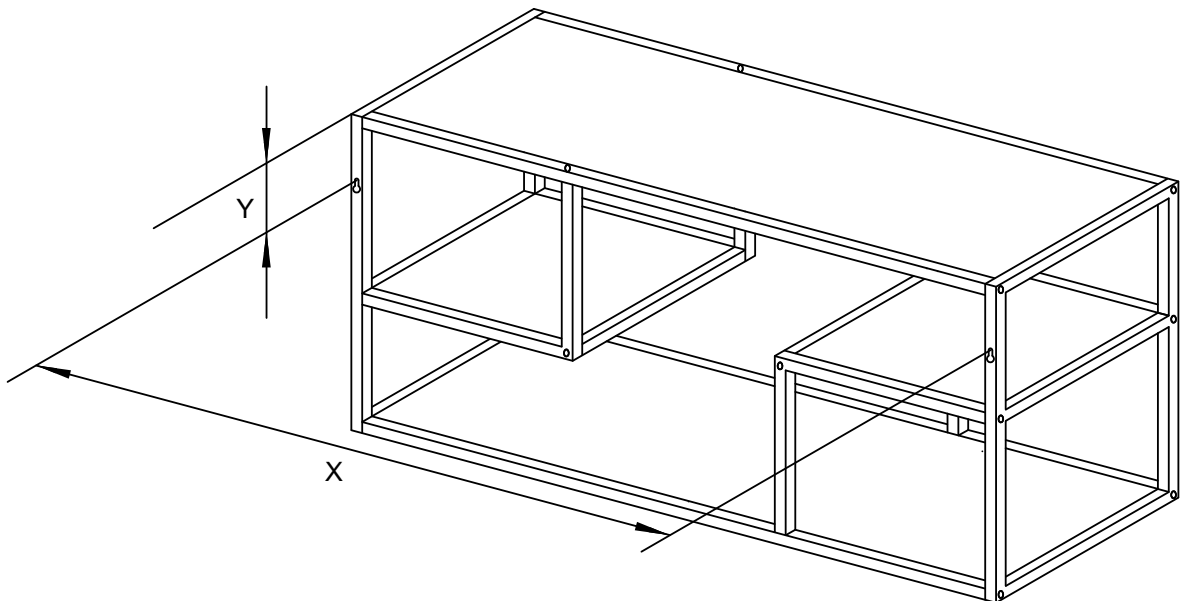
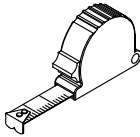


15

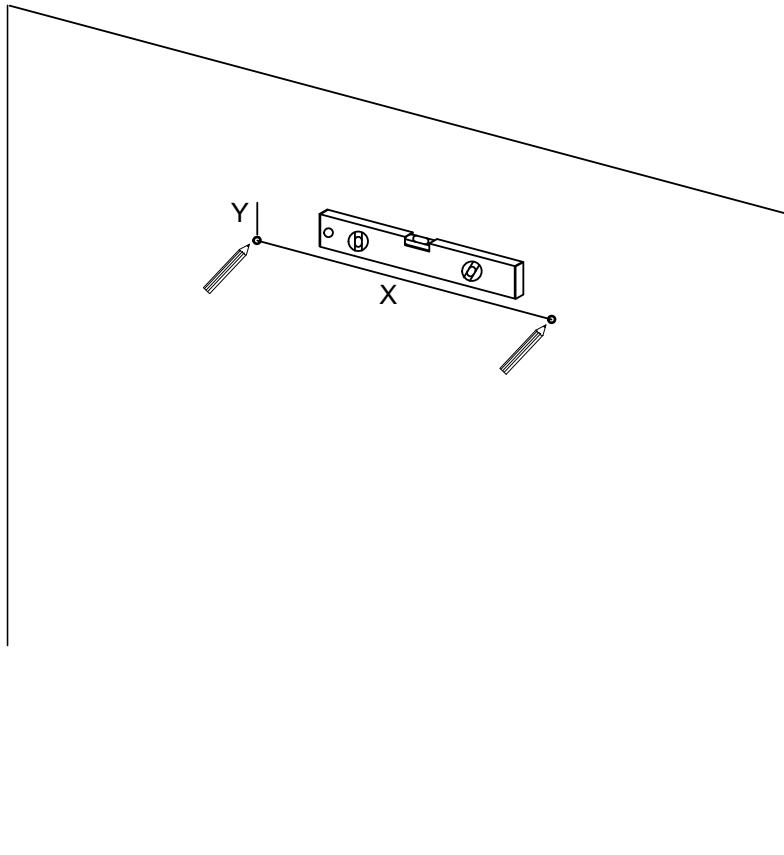


Bx22

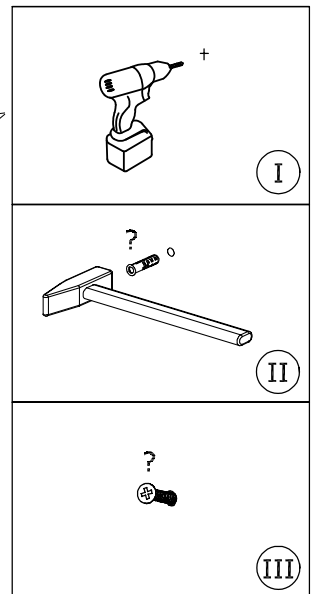
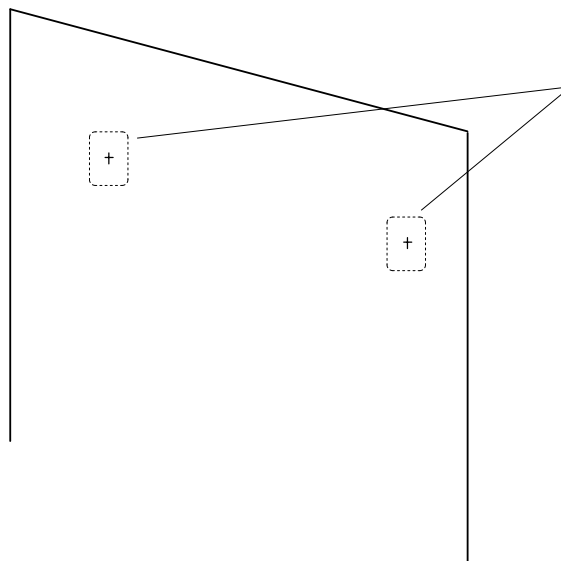
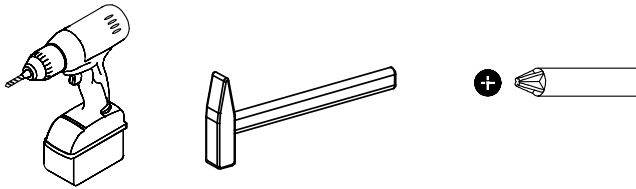
16



17



18



19

