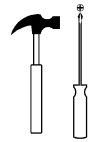





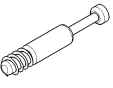



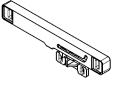








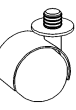
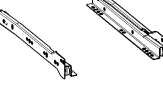
# DOL-08

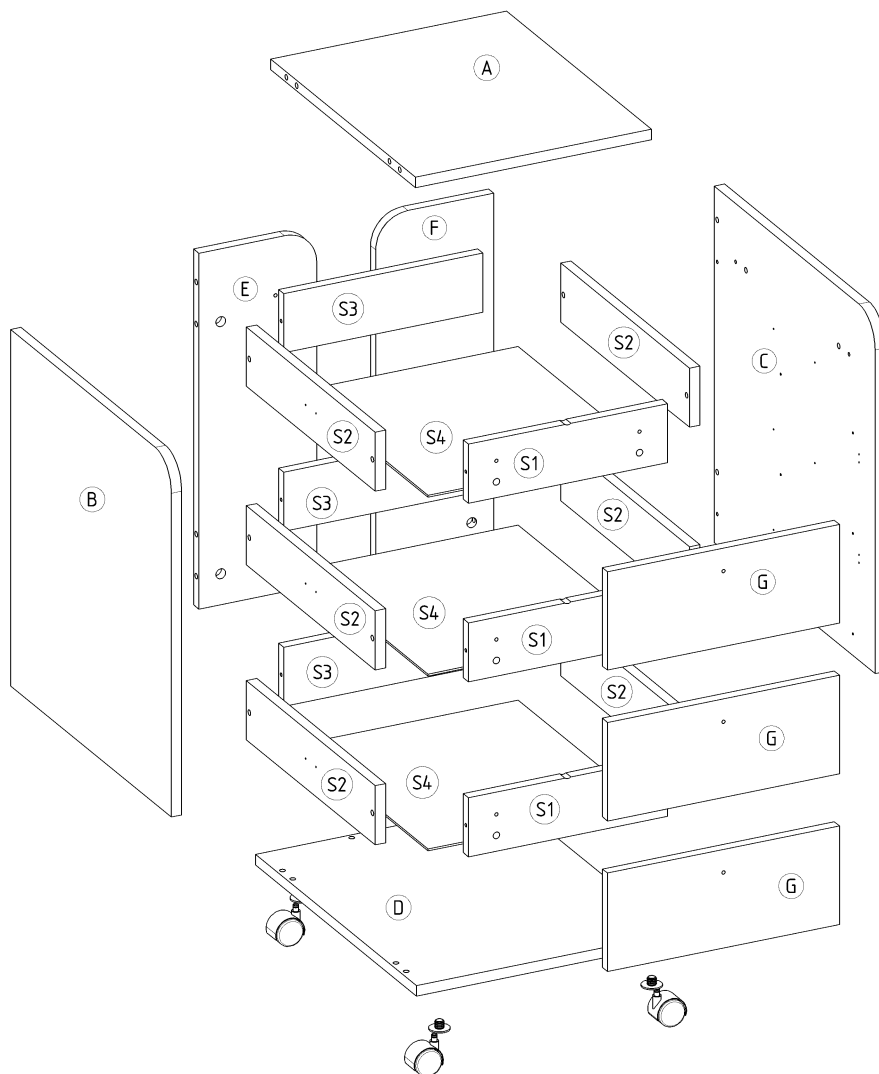
## Kontener 3S

L-40 H-61 D-51

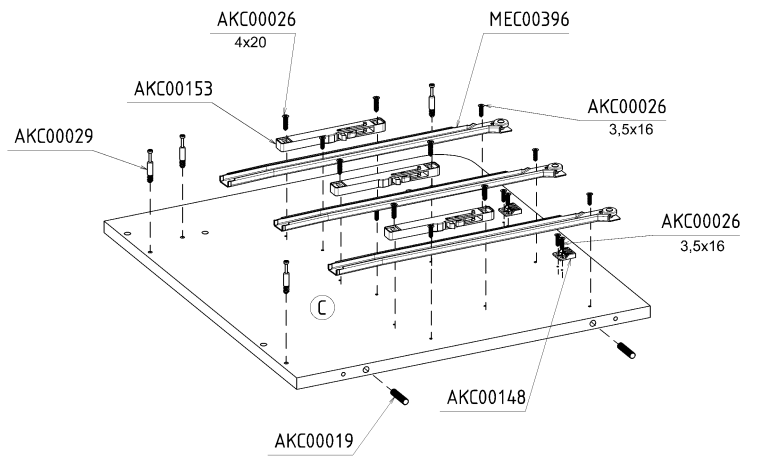
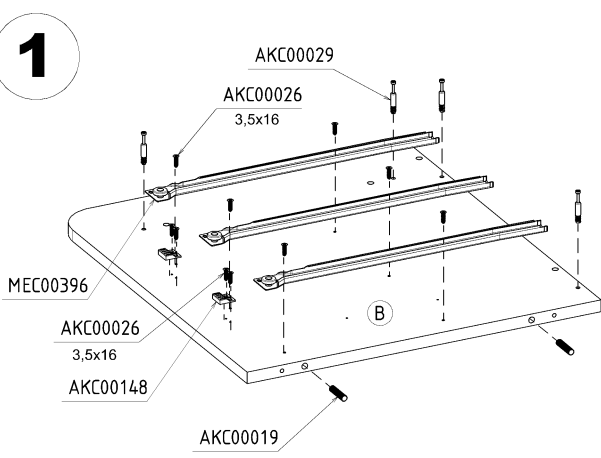


 40 min

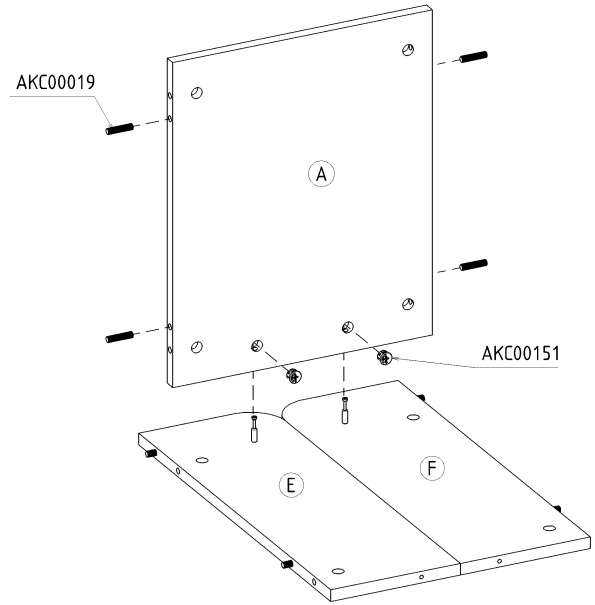
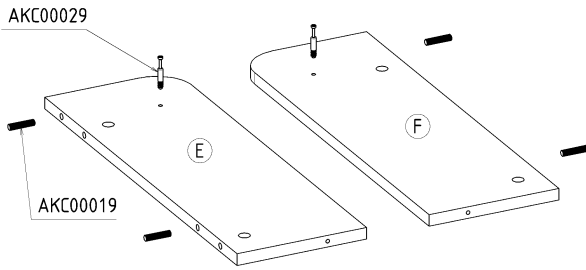
|  |   |  |  |  |  |
|--|---|--|--|--|--|
| <b>x 12</b><br><br>AKC00019           | <b>x 18</b><br><br>AKC00120        | <b>x 18</b><br><br>AKC00004 | <b>x 10</b><br><br>AKC00029 | <b>x 10</b><br><br>AKC00151           | <b>x 10</b><br><br>AKC00004         |
| <b>x 6</b><br><br>AKC00036            | <b>x 3</b><br><br>AKC00153         | <b>x 60</b><br><br>AKC00018 | <b>x 4</b><br><br>AKC00148  | <b>x 50</b><br><br>3,5x16<br>AKC00026 | <b>x 6</b><br><br>4x20<br>AKC00026  |
| <b>x 12</b><br><br>3,5x30<br>AKC00026 | <b>x 3</b><br><br>4x25<br>AKC00026 | <b>x 3</b><br><br>UCH00057  | <b>x 1</b><br><br>AKC00017  | <b>x 4</b><br><br>NOG00001            | <b>x 3</b> L-400 mm<br><br>MEC00396 |



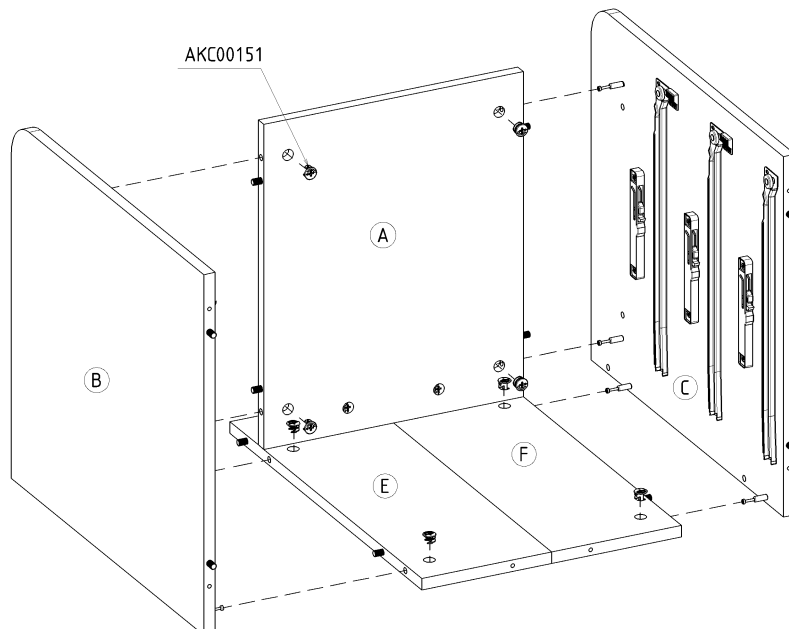
1



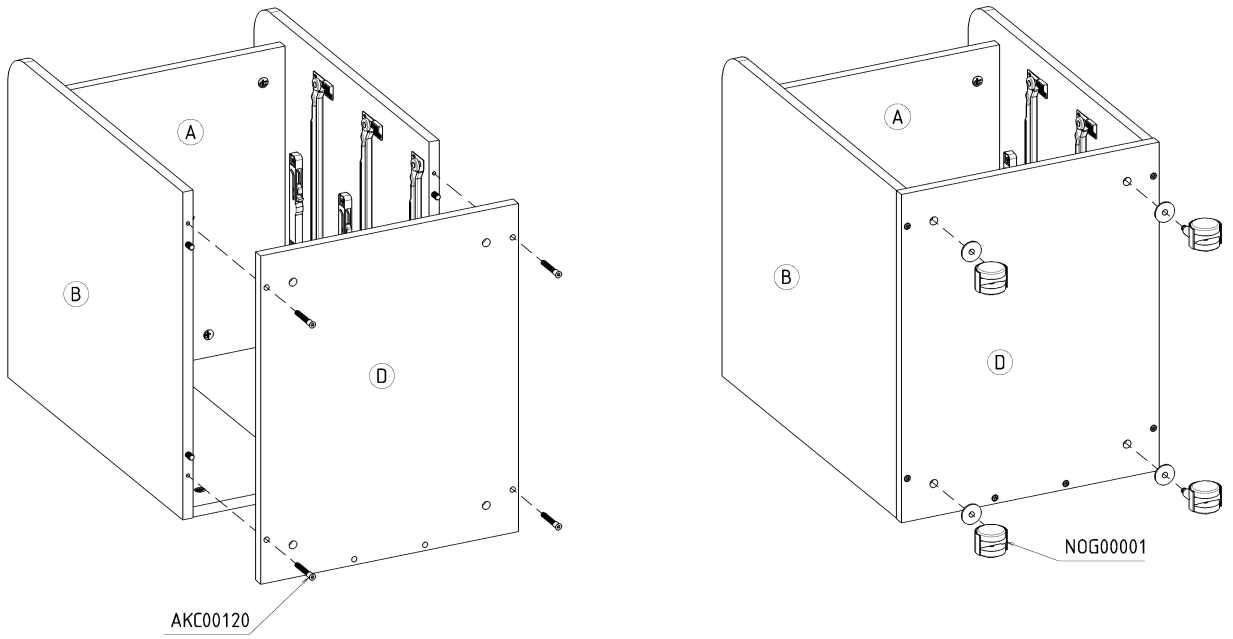
2



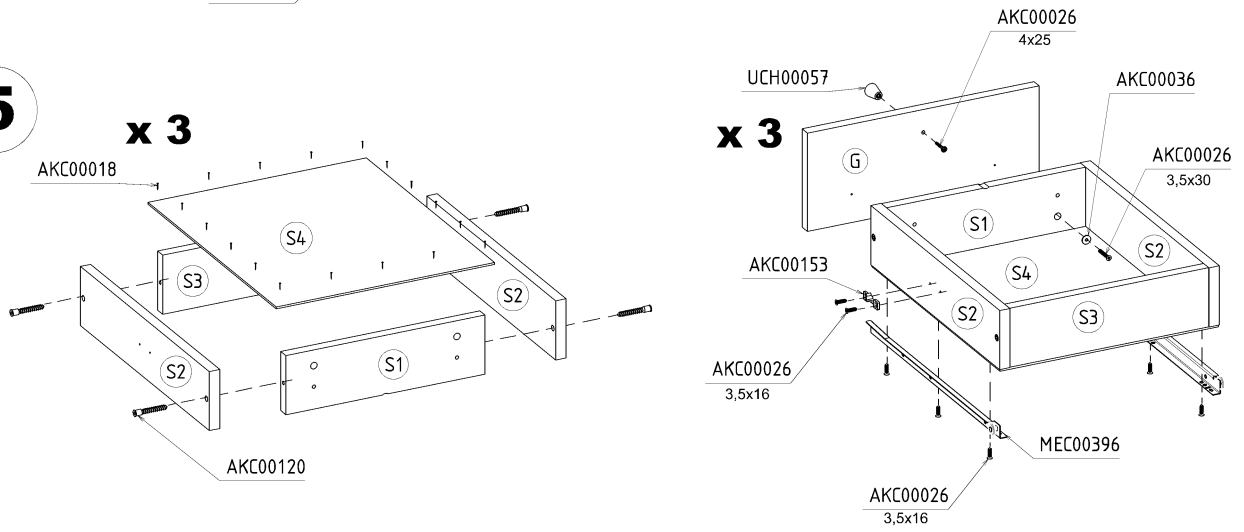
3



4



5



6

