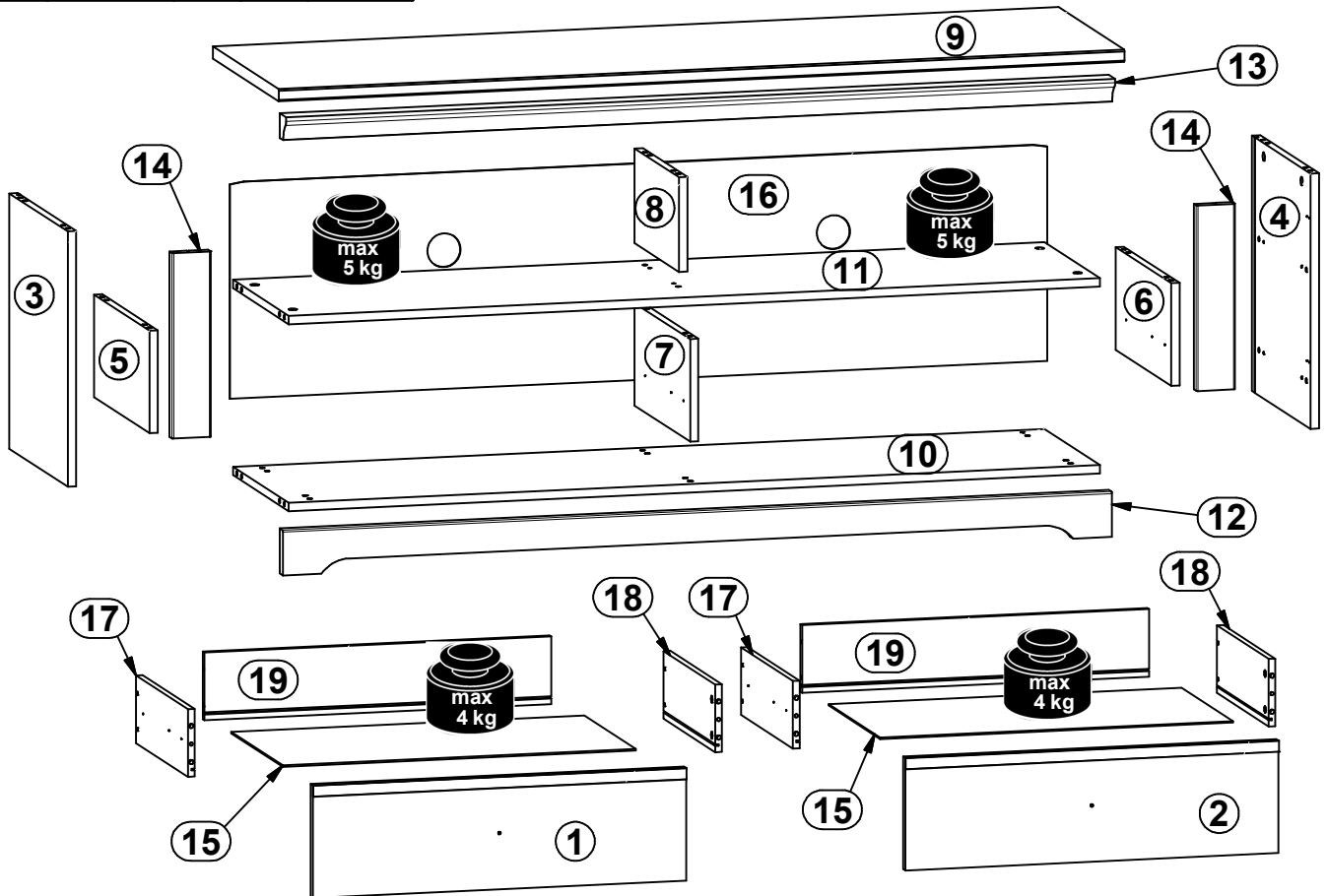
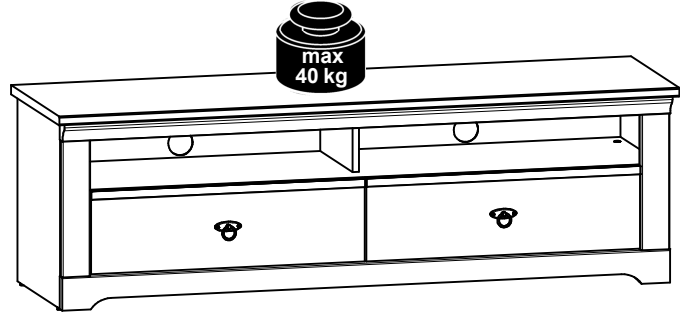
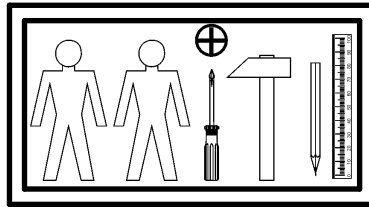
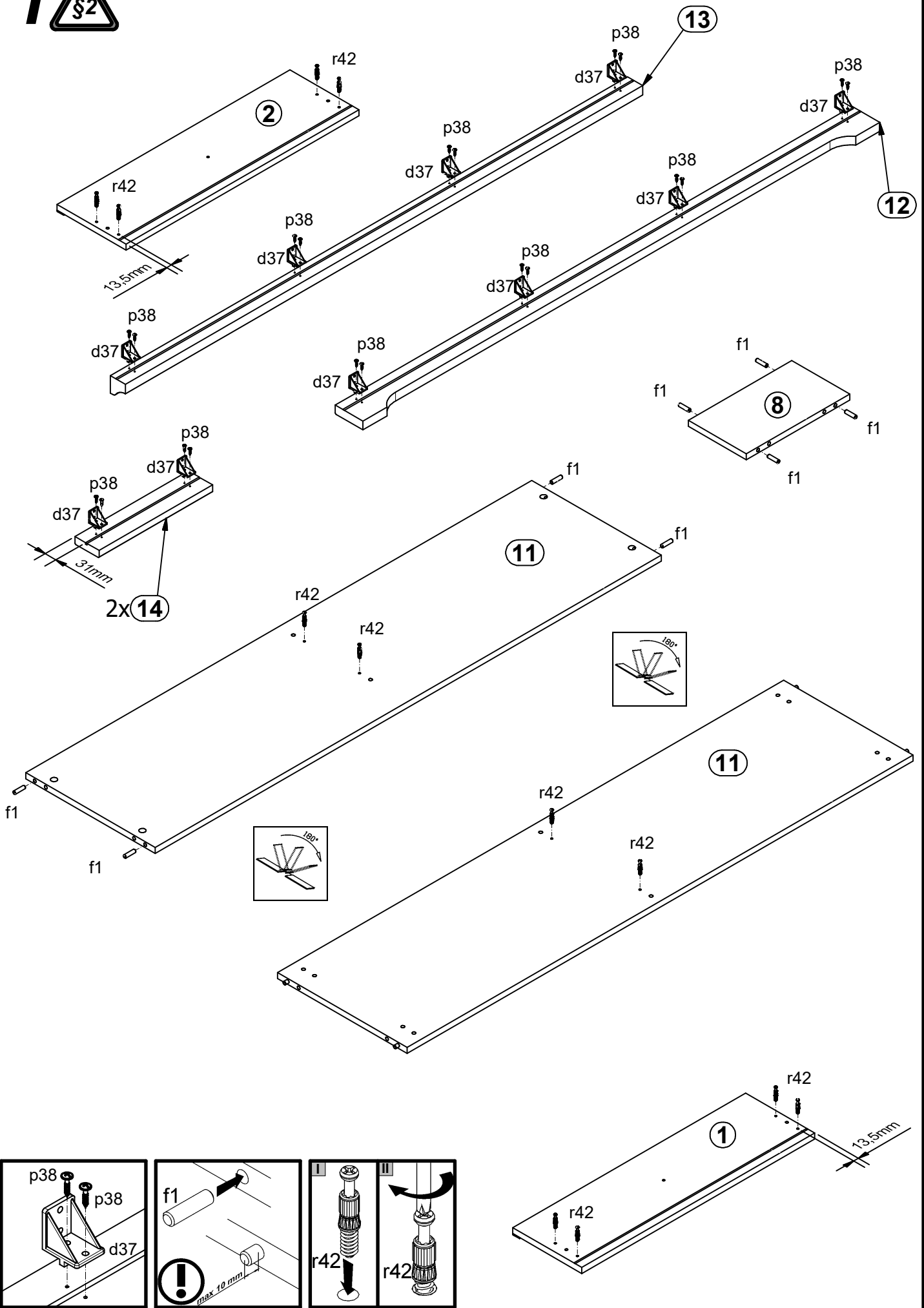


A	B	C	D	
1	S405-0015	675	200	1/2
2	S405-0016	675	200	1/2
3	S405-1018	453	395	1/2
4	S405-1019	453	395	1/2
5	S405-1020	182	375	1/2
6	S405-1021	182	375	1/2
7	S405-1022	182	375	1/2
8	S405-1023	168	300	1/2
9	S405-2006	1529	445	2/2
10	S405-3014	1467	375	2/2
11	S405-3015	1467	375	2/2
12	S405-5001	1499	80	2/2
13	S405-5002	1499	44	2/2
14	S405-5013	329	70	2/2
15	S405-9004	638	348	2/2
16	S405-9005	384	1478	2/2
17	ZK1-503	350	120	1/2
18	ZK1-504	350	120	1/2
19	ZS4-5522	627	120	1/2

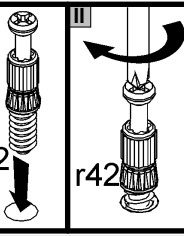
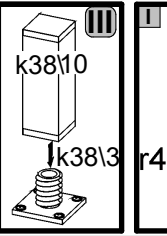
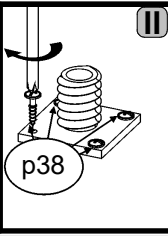
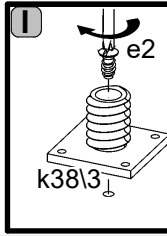
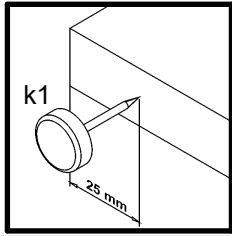
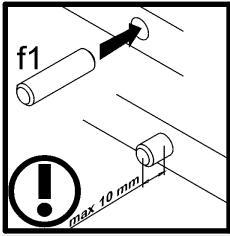
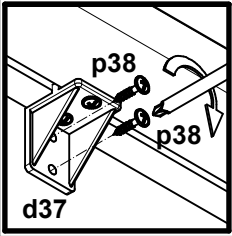
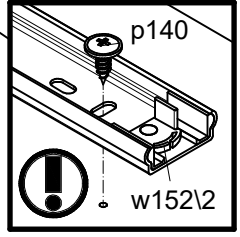
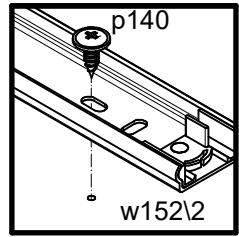
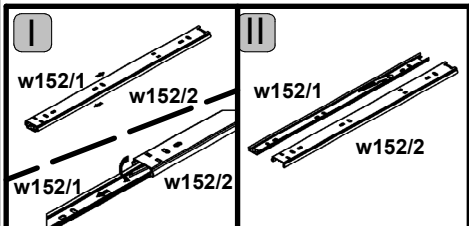
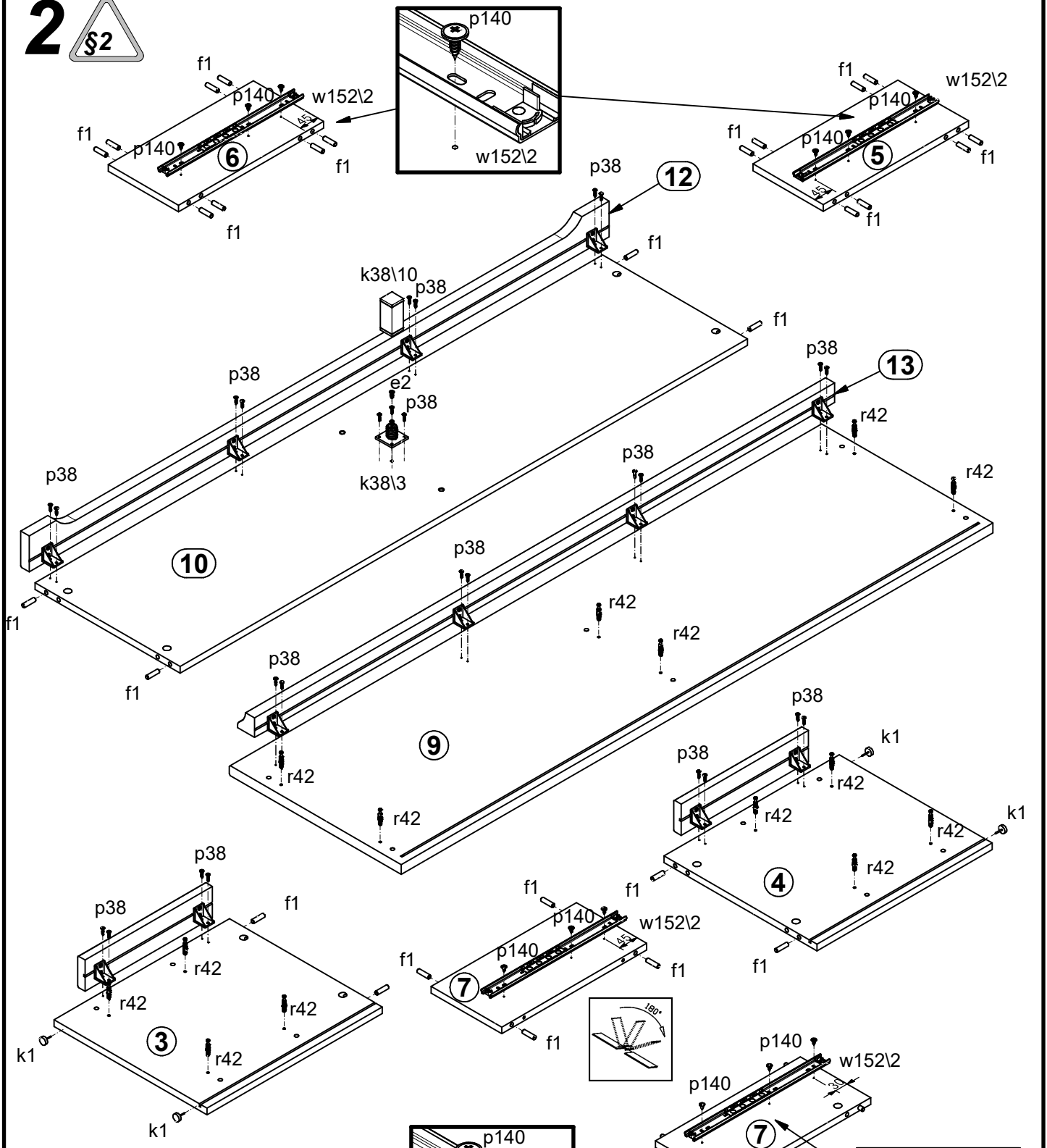


2x c477/1	2x c477/2	12x d37	2x e1 Ø7x50 mm	1x e2 Ø6.3x13 mm	36x f1 Ø8x30 mm	8x f25 Ø6.5x40 mm	4x f9 Ø6x30 mm	2x j1 M4x20 mm
4x k1	1x k38/10 30x39/70 mm	1x k38/3 42.5x42.5/4 mm	30x l1 1.4x20 mm	7x l2	1x n26	24x p140 Ø3.5x12 mm	4x p25 Ø3.5x16 mm	53x p38 Ø3.5x16 mm
18x r1 Ø15x12 mm #16	8x r15 Ø12x10.5 mm #12	26x r42 20/11	2x t19 333 mm	4x w152/1 350/580 mm	4x w152/2 350/580 mm	6x s2 Ø16	1x z1 4 mm	

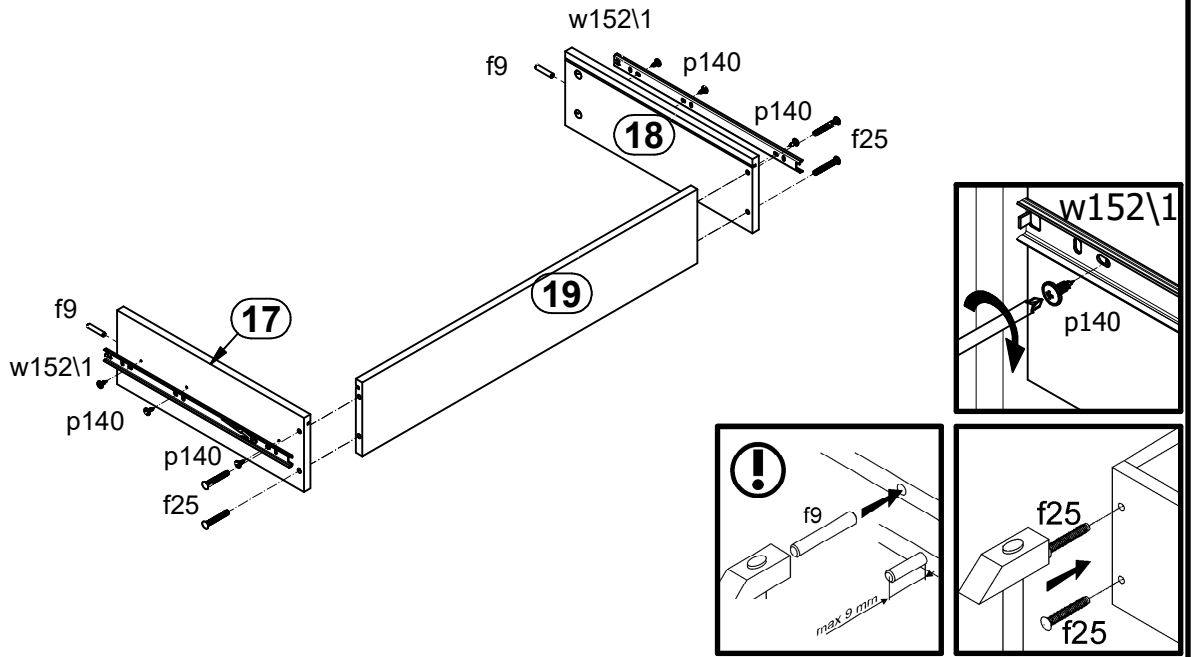
# 1



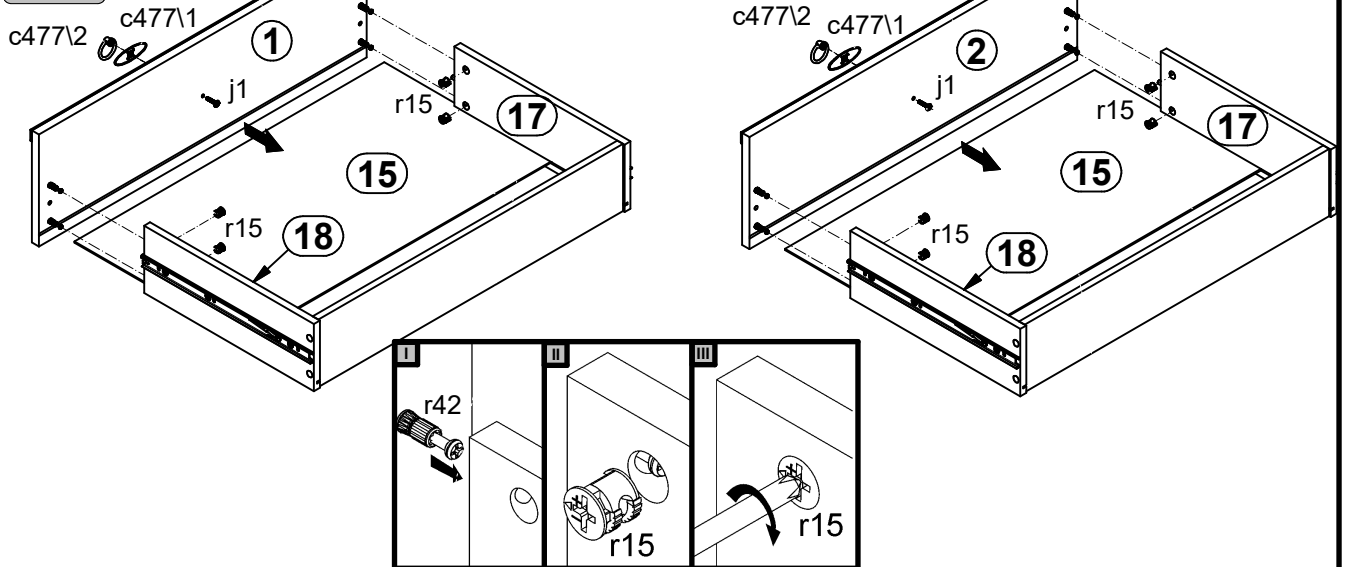
# 2



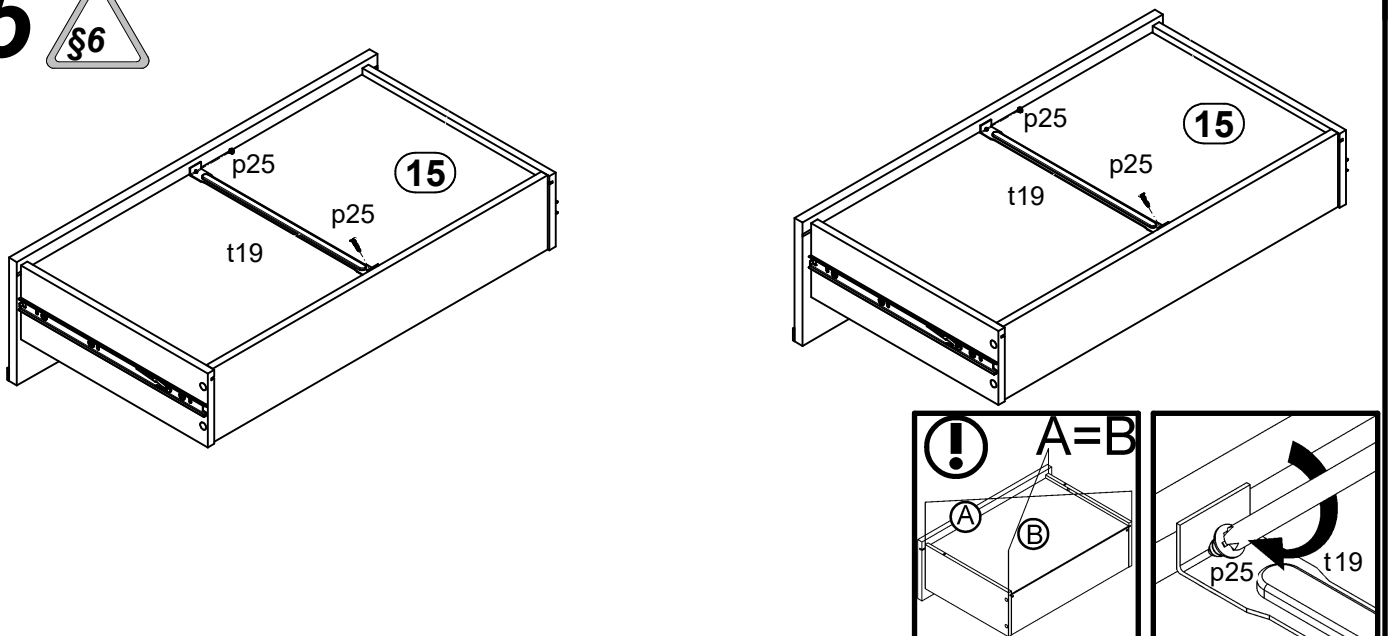
# 3



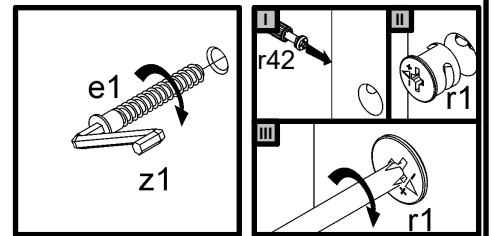
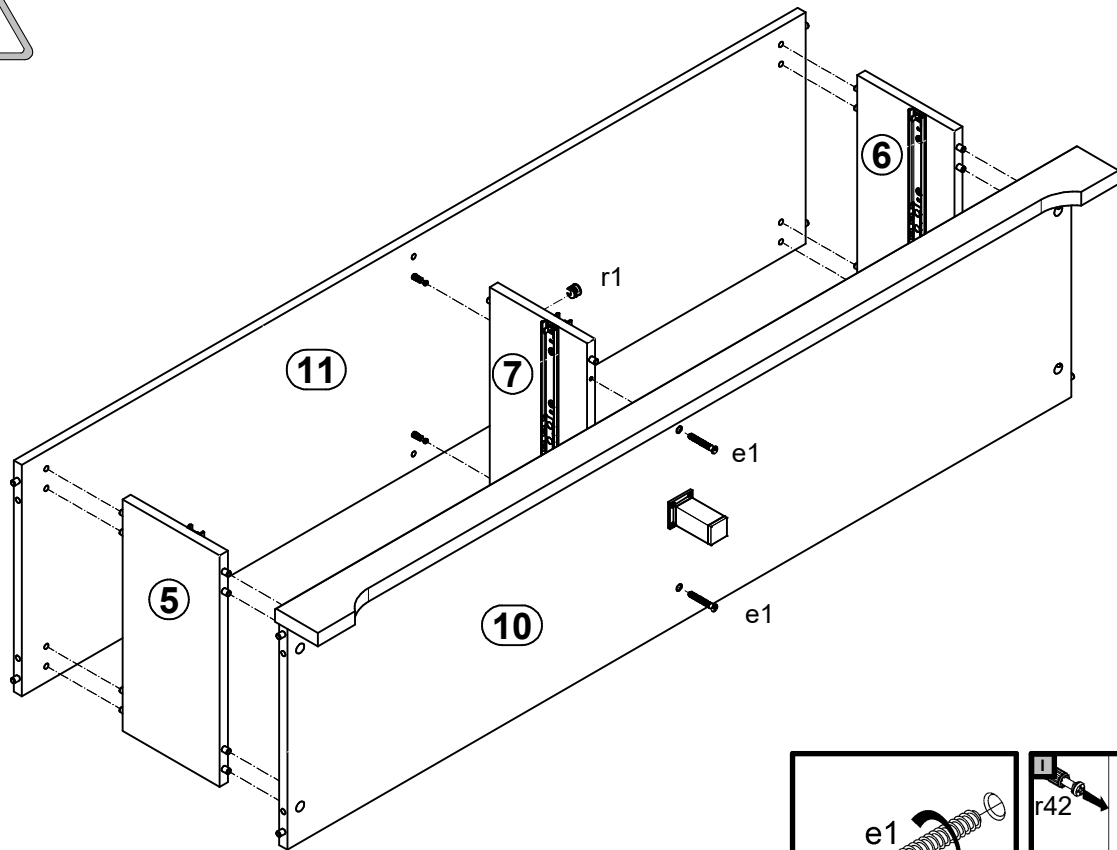
# 4



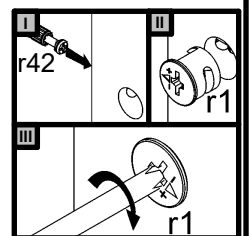
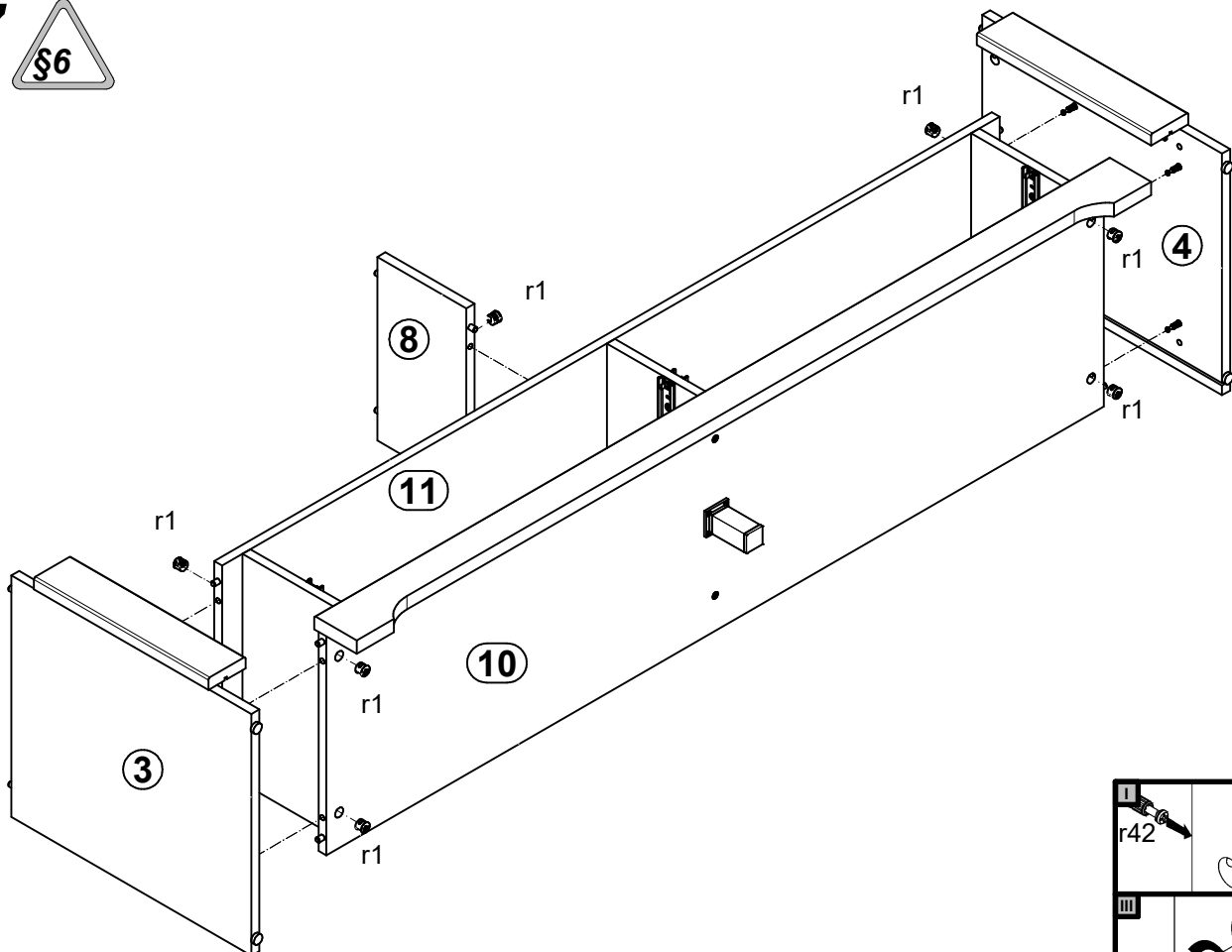
# 5



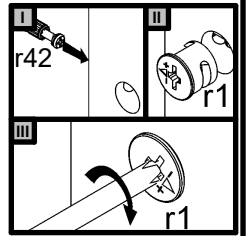
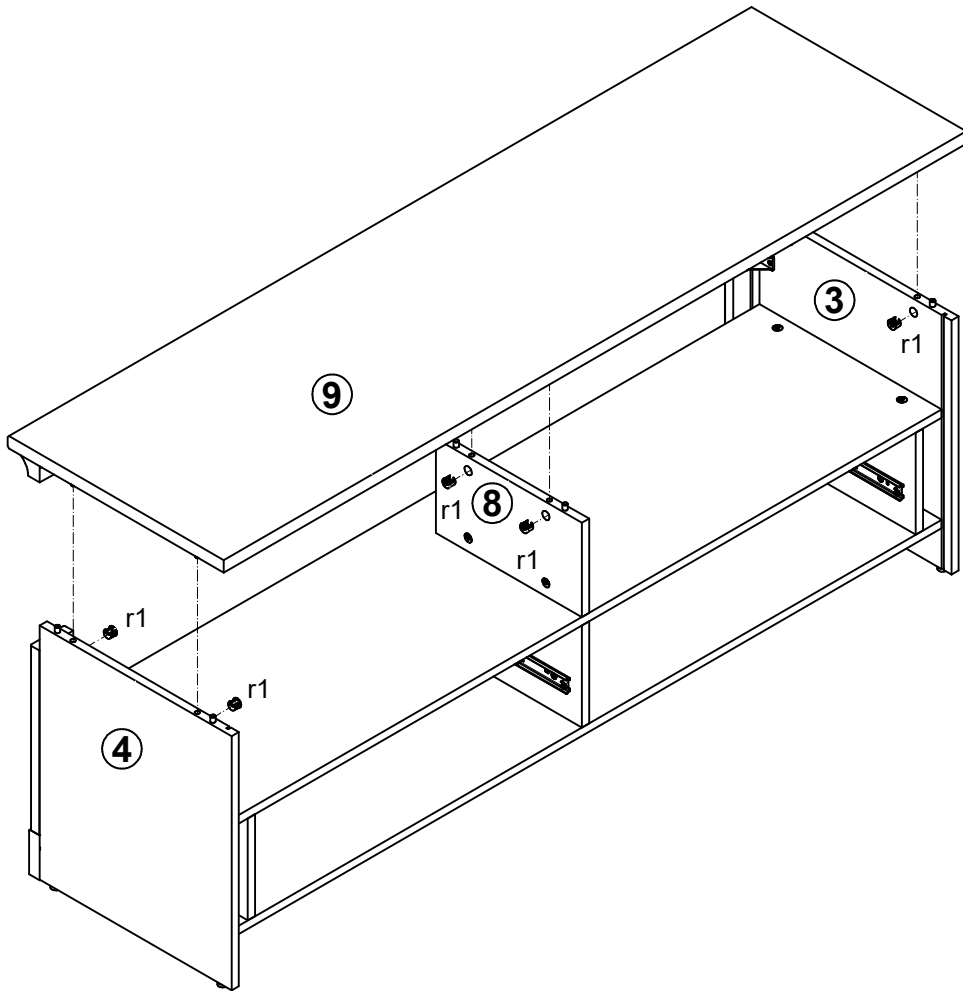
# 6



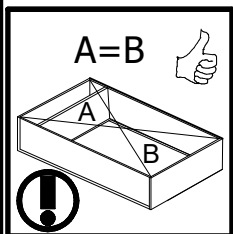
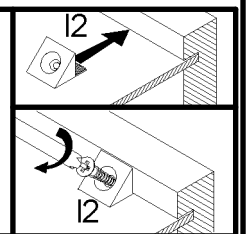
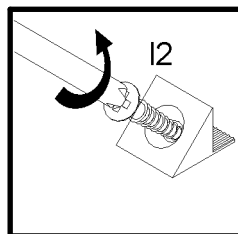
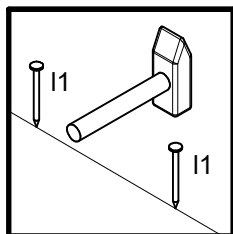
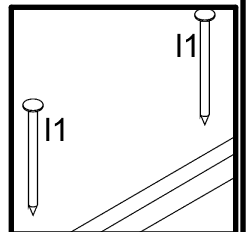
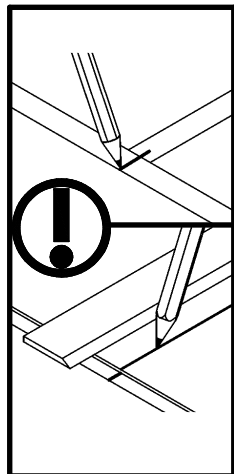
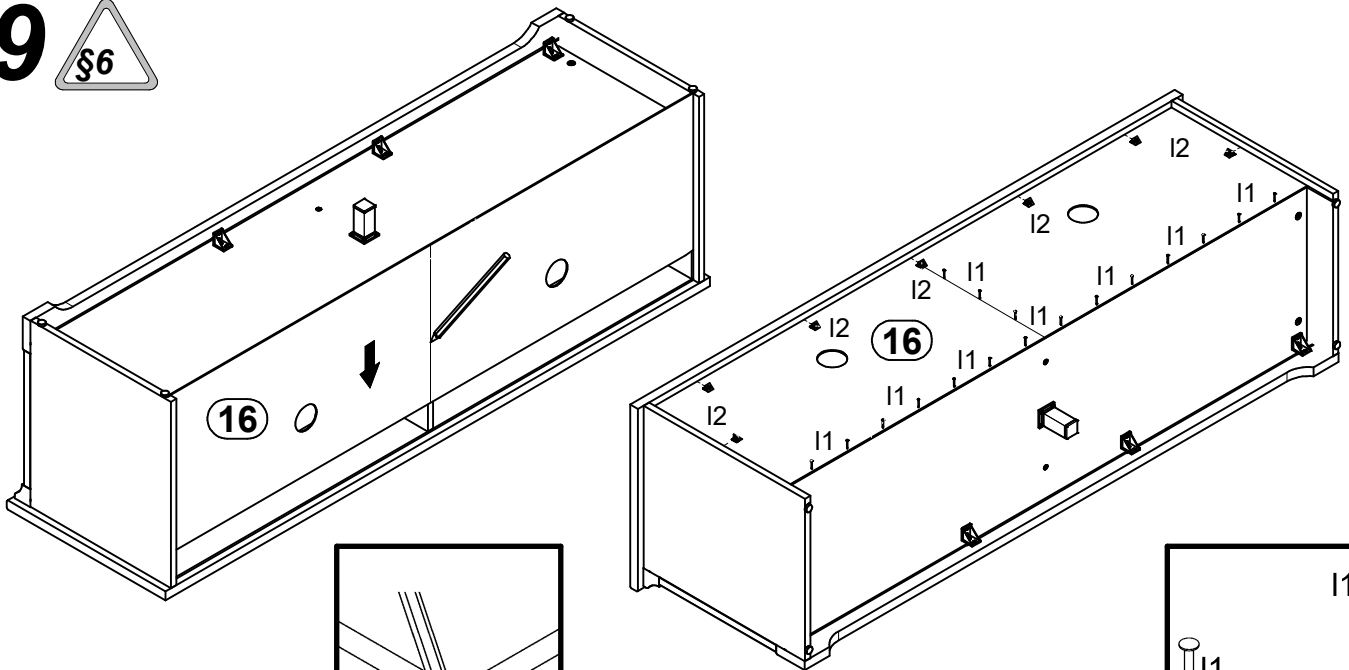
# 7



# 8



# 9



# 10

