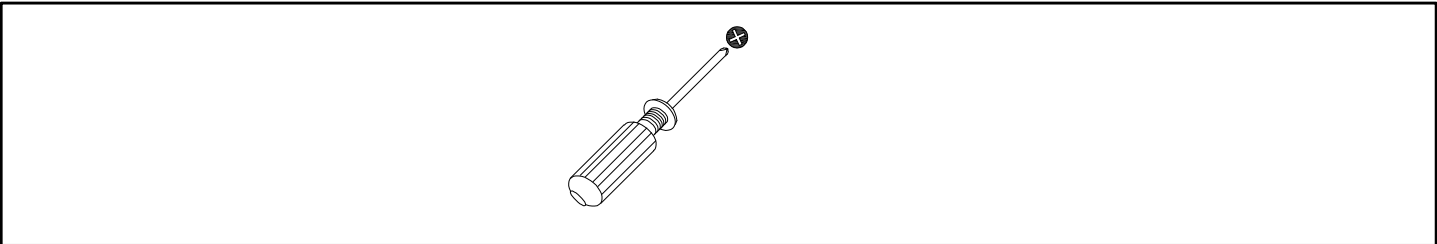
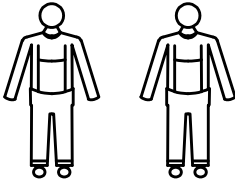
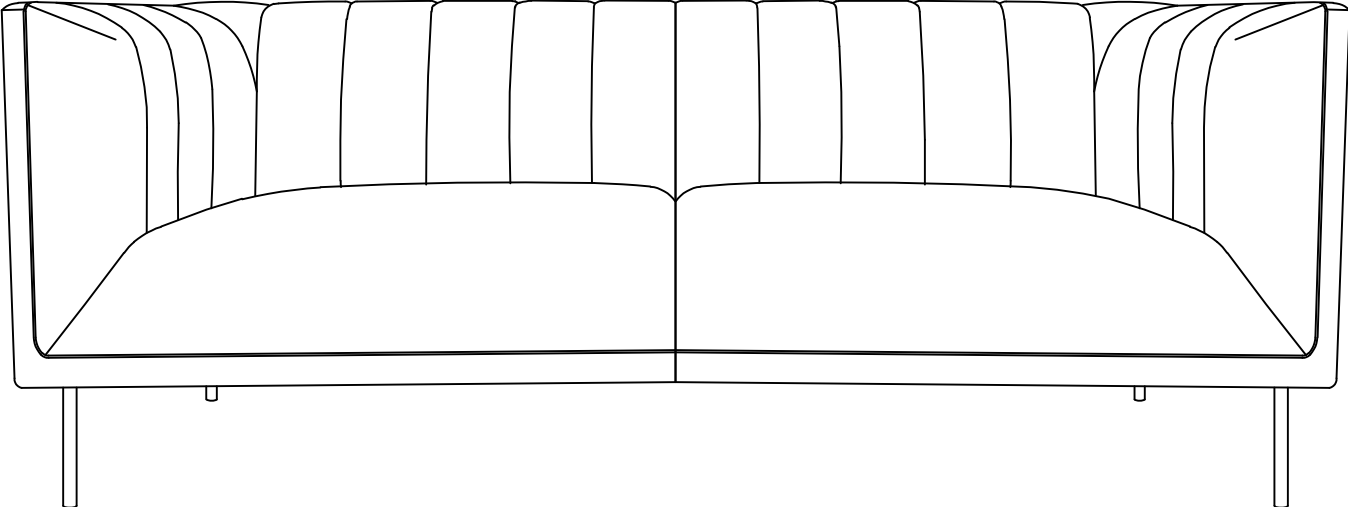
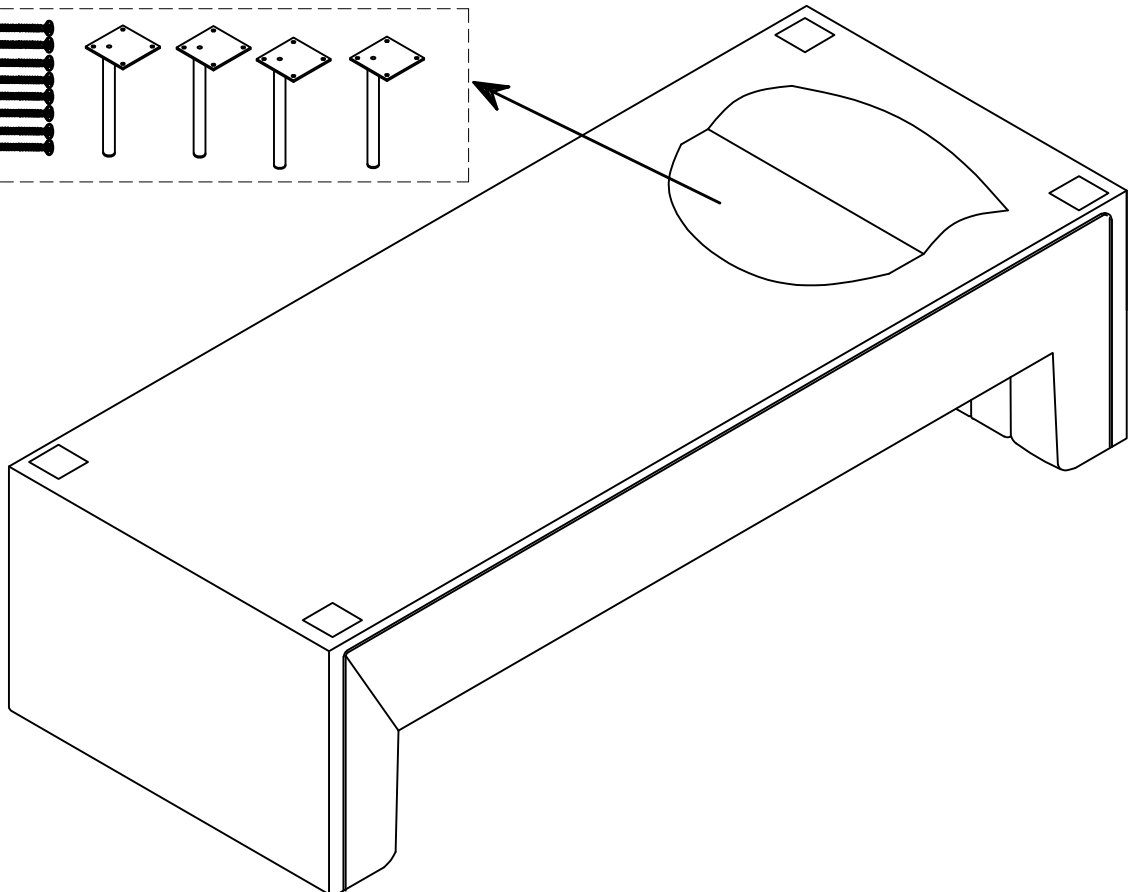
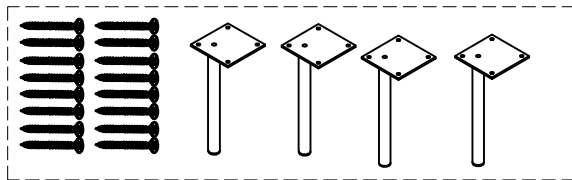
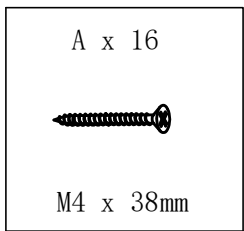
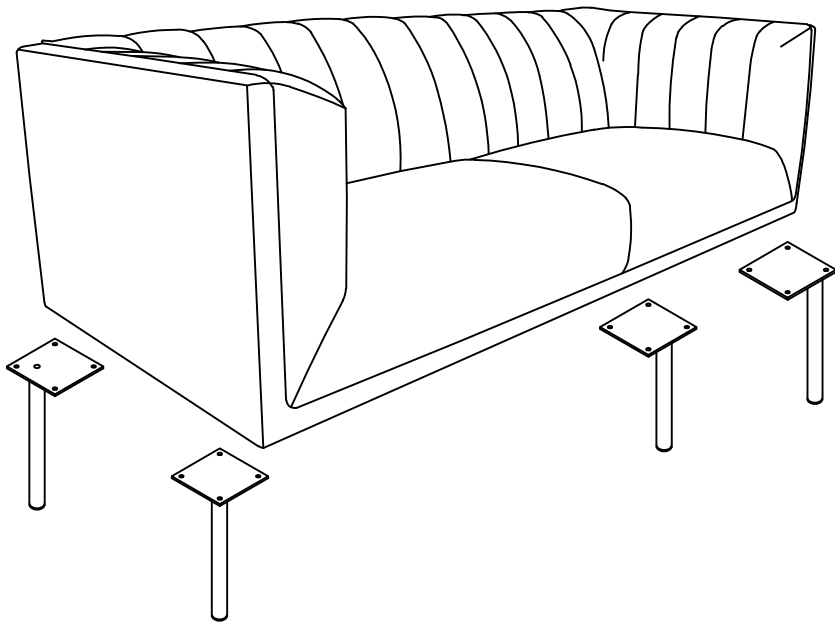


# Pasadena




①	1	2010x880x590	✓
L	4	∅20xH200mm	



# 1

A x 16



M4 x 31mm

