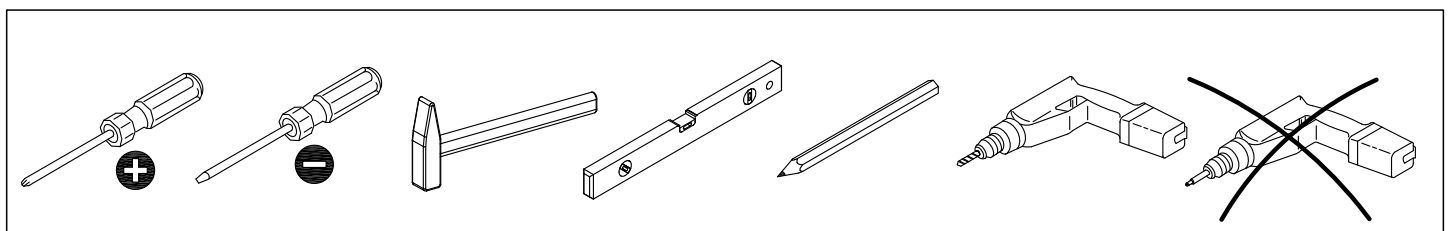
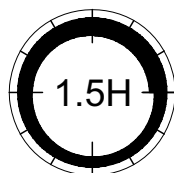
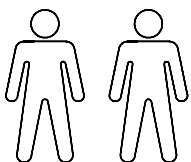
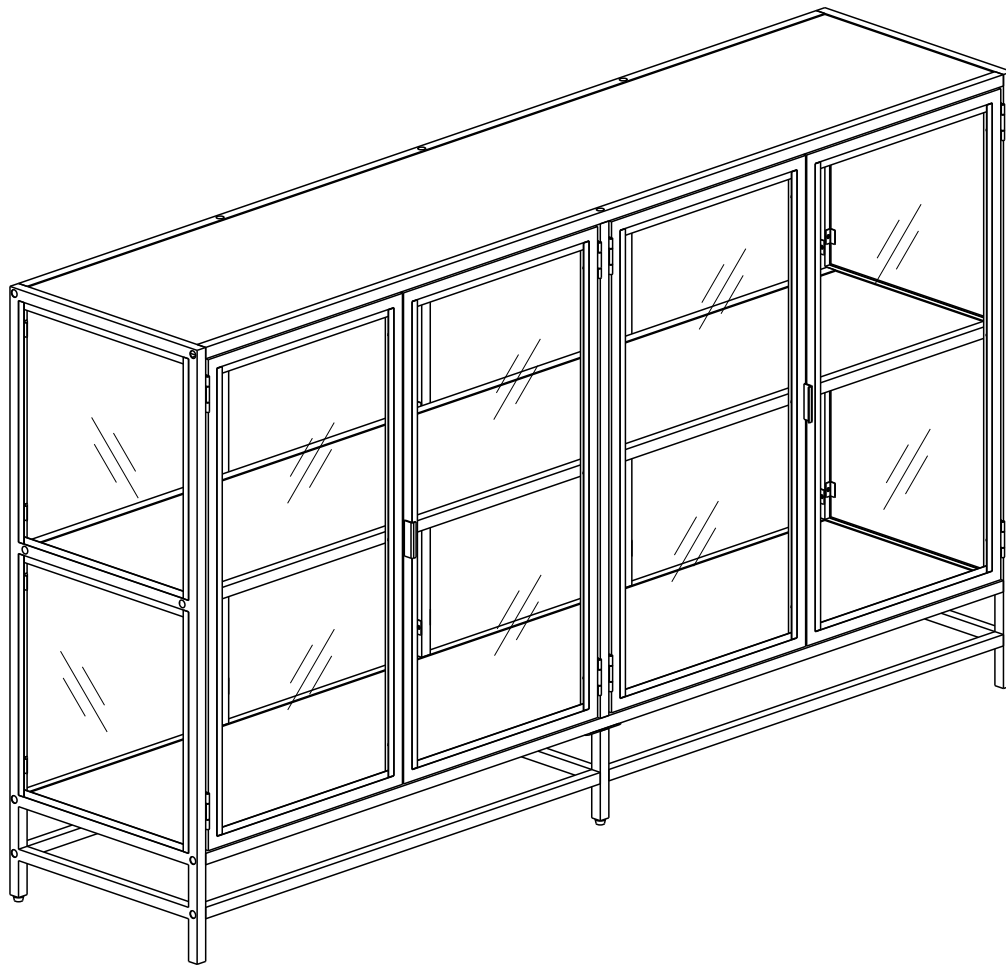
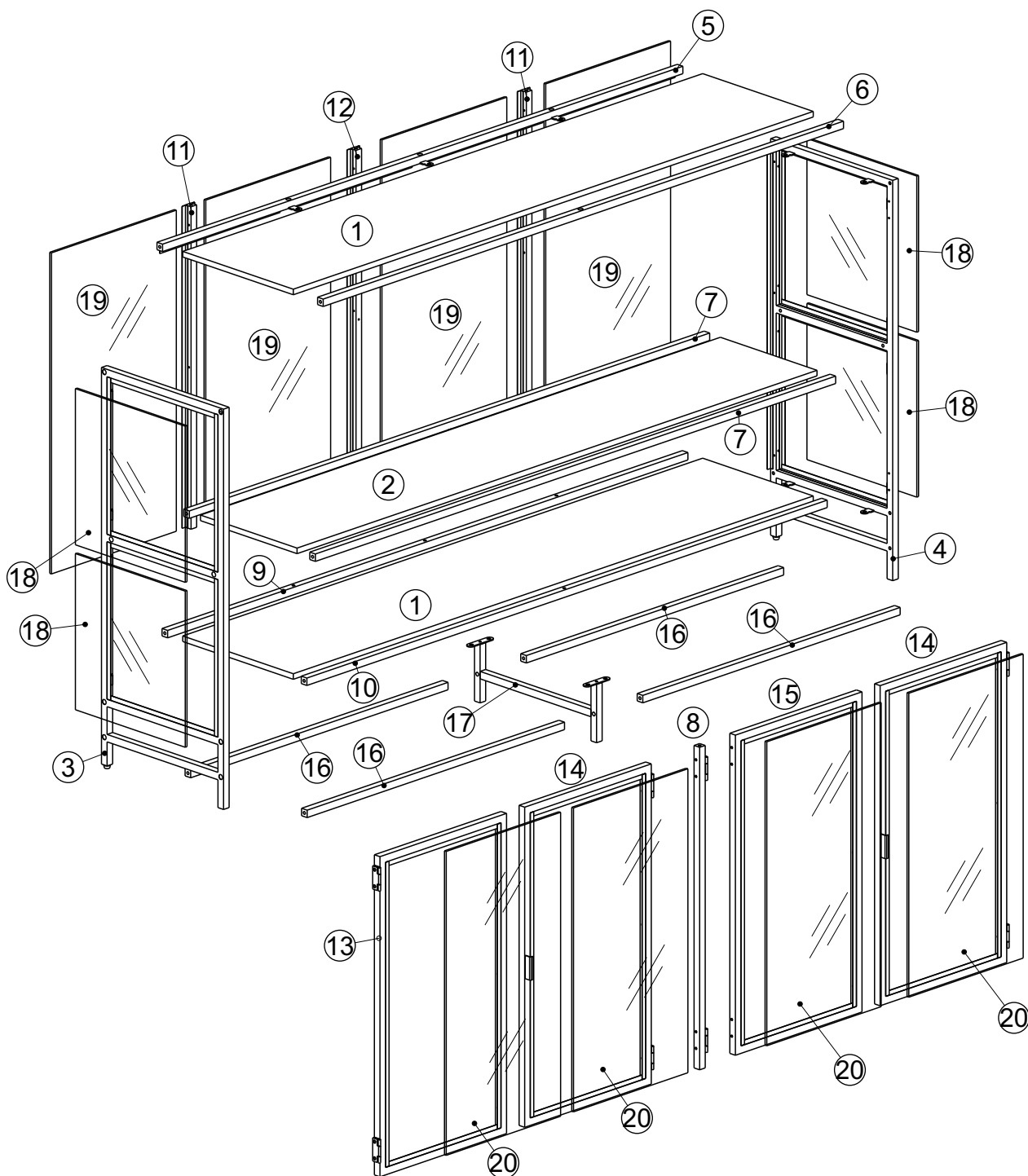


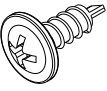
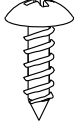

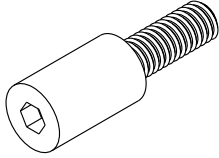
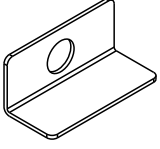
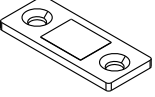
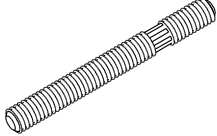
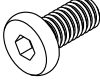
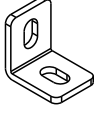
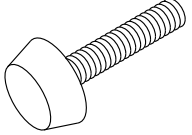
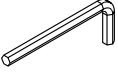
SEAFORD



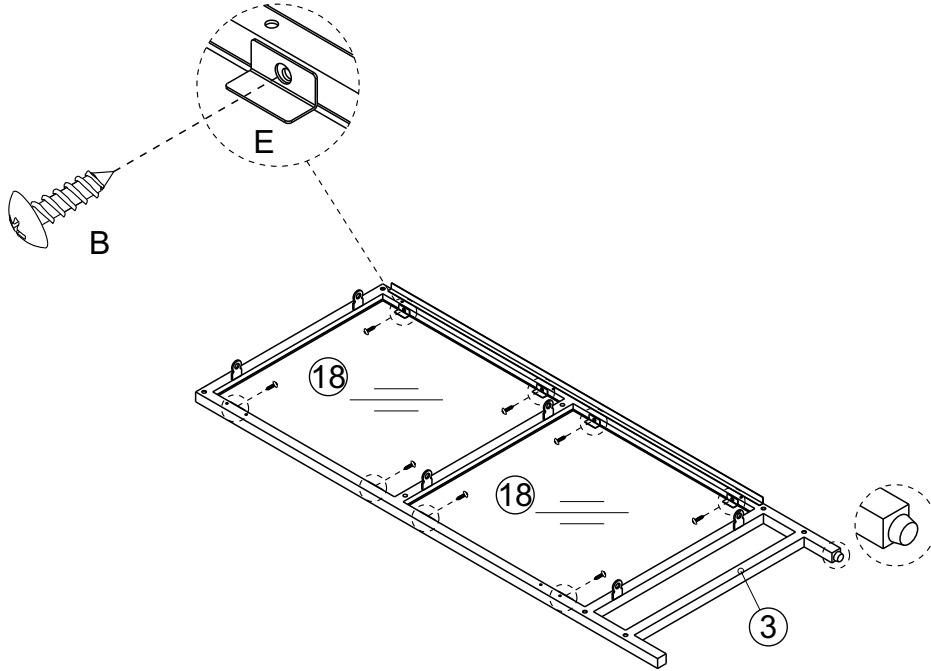
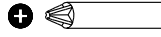
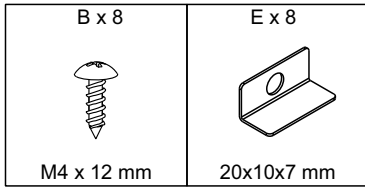
			✓
①	2	1490x316x12mm	
②	1	1490x276x12mm	
③	1	864x350x42mm	
④	1	864x350x42mm	
⑤	1	1492x42x27mm	
⑥	1	1492x42x16mm	
⑦	2	1492x42x16mm	
⑧	1	696x20x16mm	
⑨	1	1492x42x16mm	
⑩	1	1492x42x16mm	

			✓
⑪	2	696x35x16mm	
⑫	1	696x35x16mm	
⑬	1	690x369x20mm	
⑭	2	690x369x32mm	
⑮	1	690x364x16mm	
⑯	4	738x16x16mm	
⑰	1	350x70x128mm	
⑱	4	335x315x5mm	
⑲	4	693x356x5mm	
⑳	4	655x328x5mm	

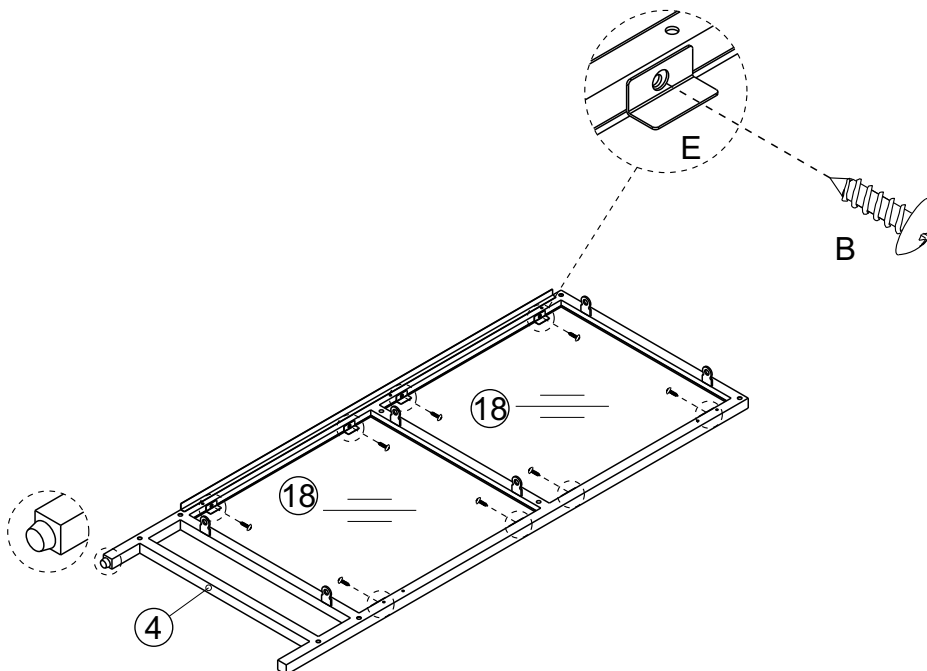
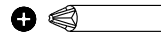
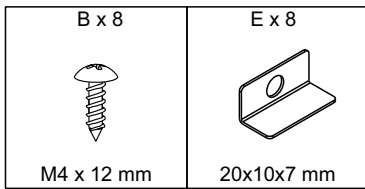


<p>A x 16</p>  <p>M4 x 12 mm</p>	<p>B x 98</p>  <p>M4 x 12 mm</p>	<p>C x 8</p>  <p>M3.5 x 12 mm</p>	<p>D x 24</p>  <p>M6 x 15 mm</p>	<p>E x 64</p>  <p>20x10x7 mm</p>
<p>F x 4</p>  <p>40x16x2.5 mm</p>	<p>G x 2</p>  <p>Ø6x60 mm</p>	<p>H x 4</p>  <p>M6 x 12 mm</p>	<p>J x 2</p>  <p>19x19x15mm</p>	<p>K x 2</p>  <p>Ø13.5</p>
<p>L x 1</p>  <p>4 mm</p>				

1

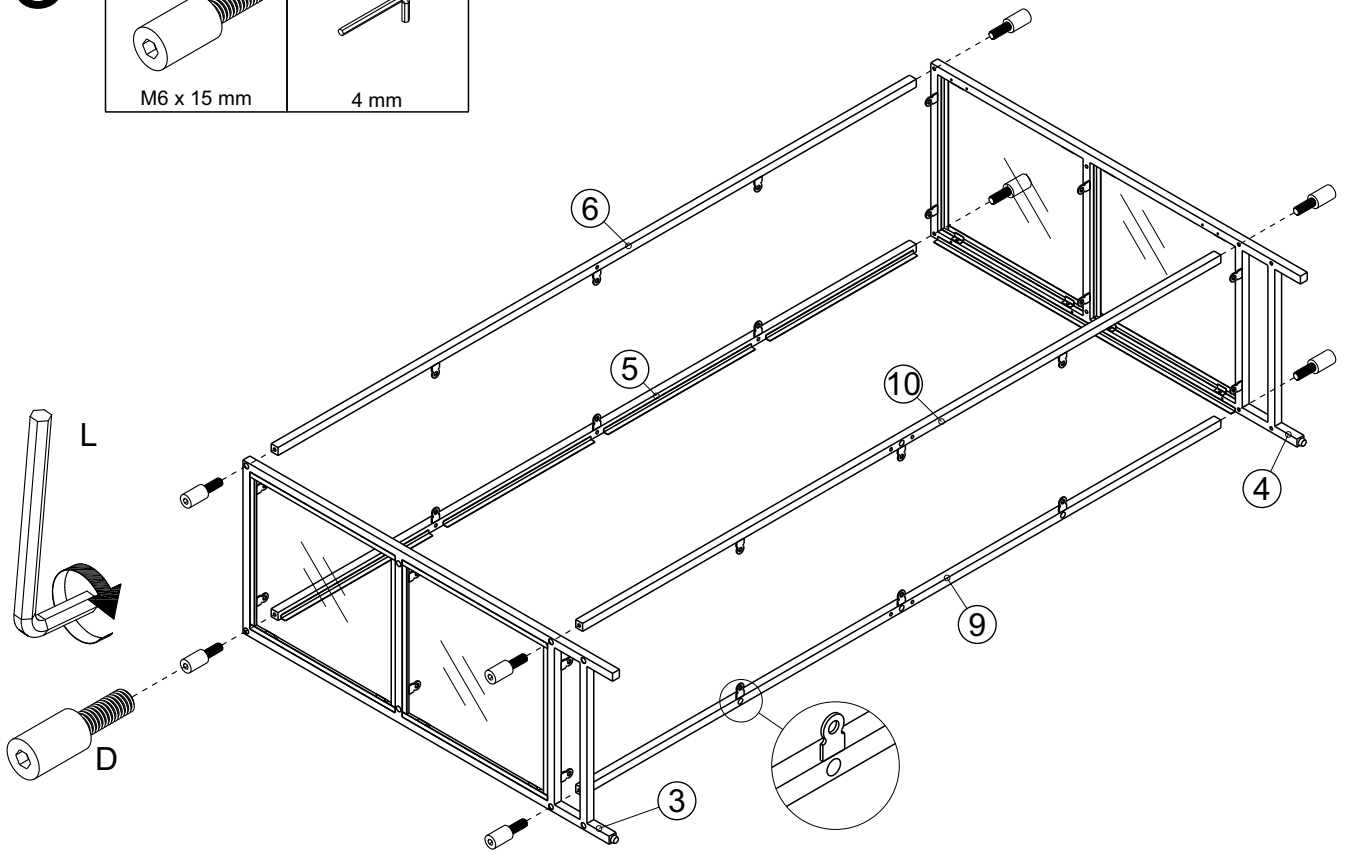


2



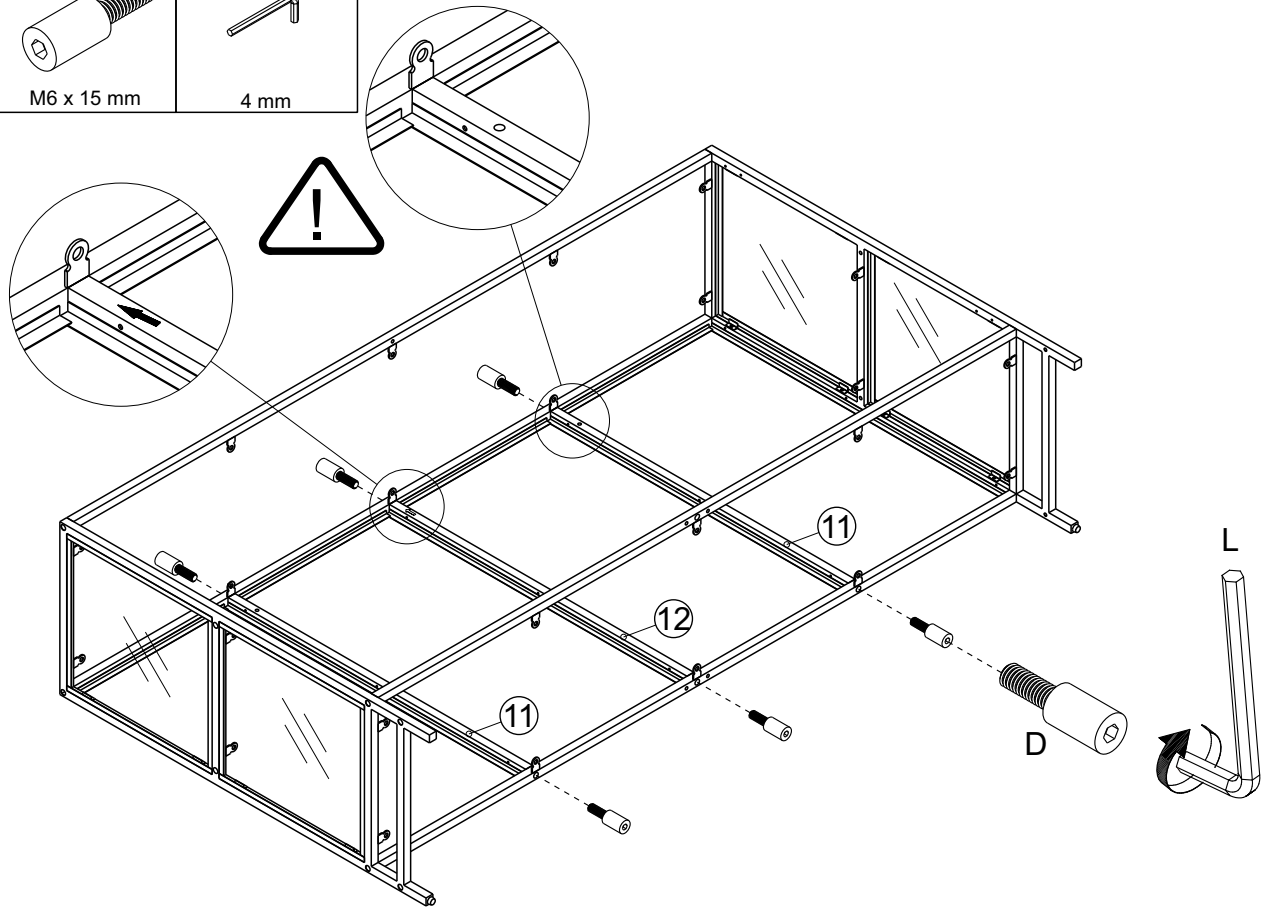
3

D x 8 M6 x 15 mm	L x 1 4 mm
---------------------	---------------


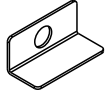


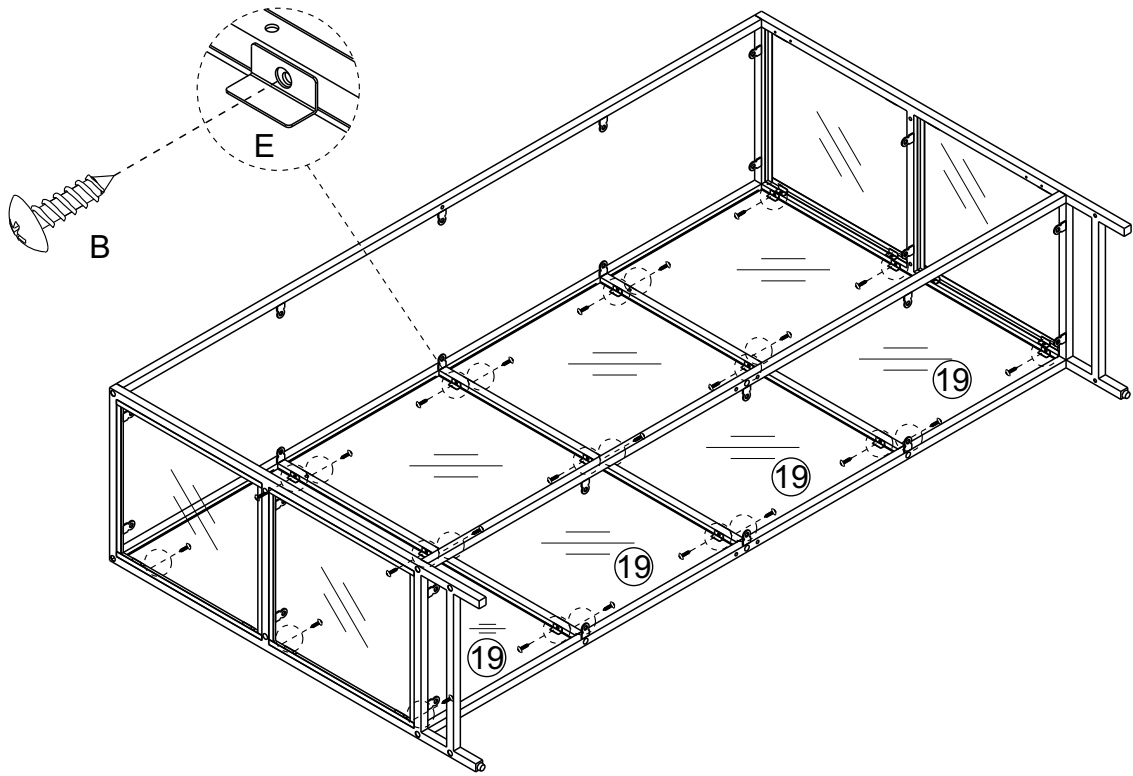
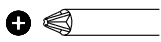
4

D x 6 M6 x 15 mm	L x 1 4 mm
---------------------	---------------


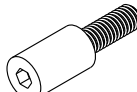
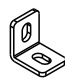



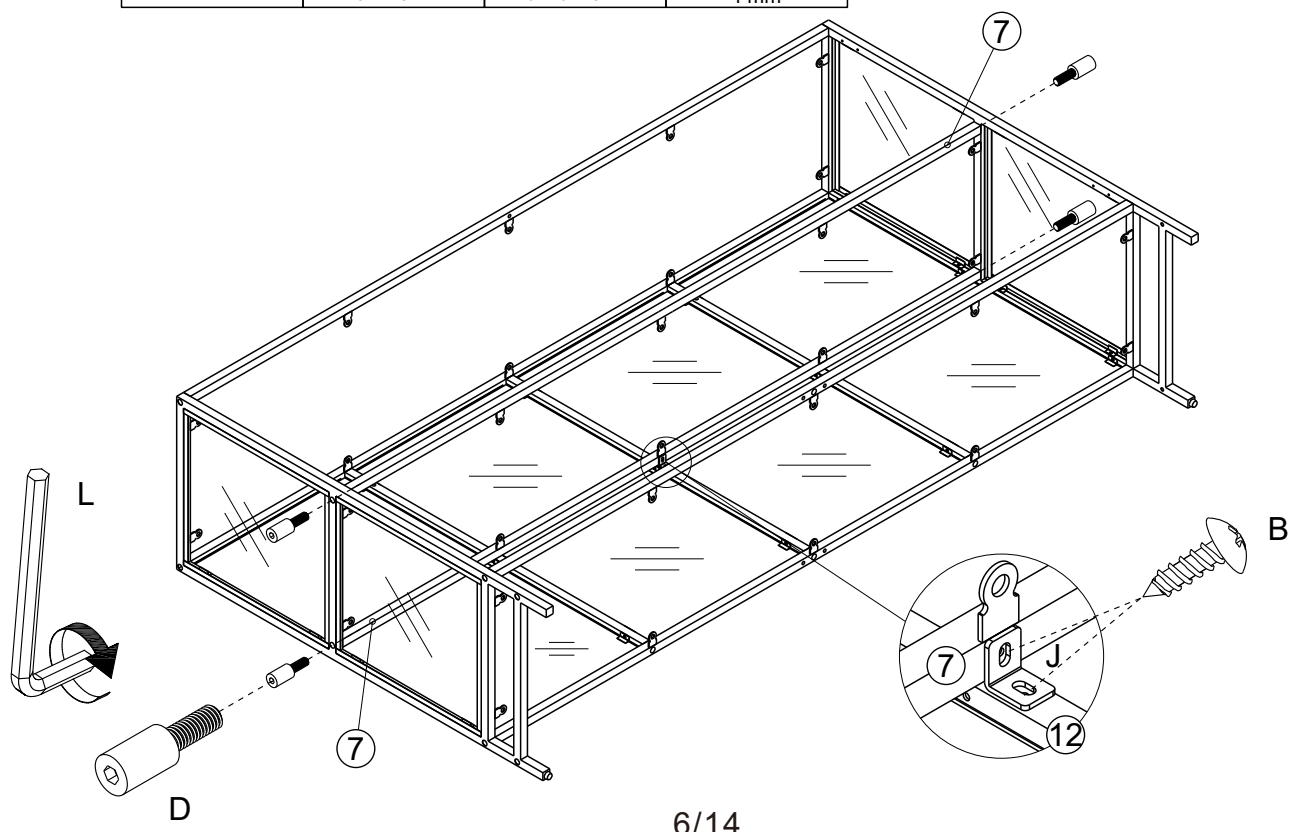
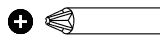
5

B x 24  M4 x 12 mm	E x 24  20x10x7 mm
---	---

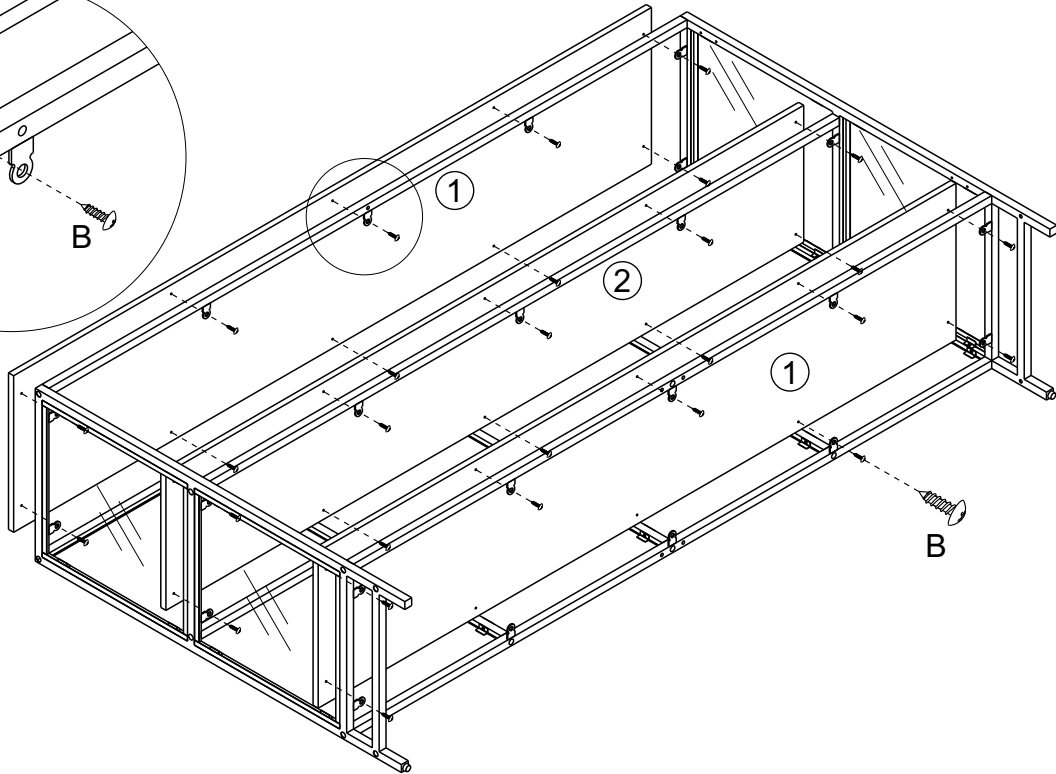
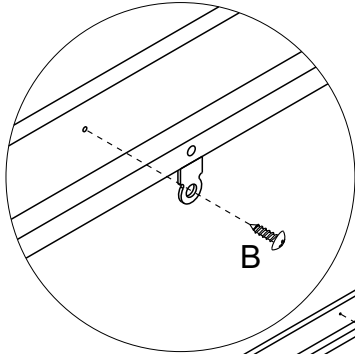
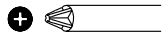
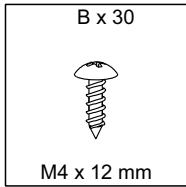


6

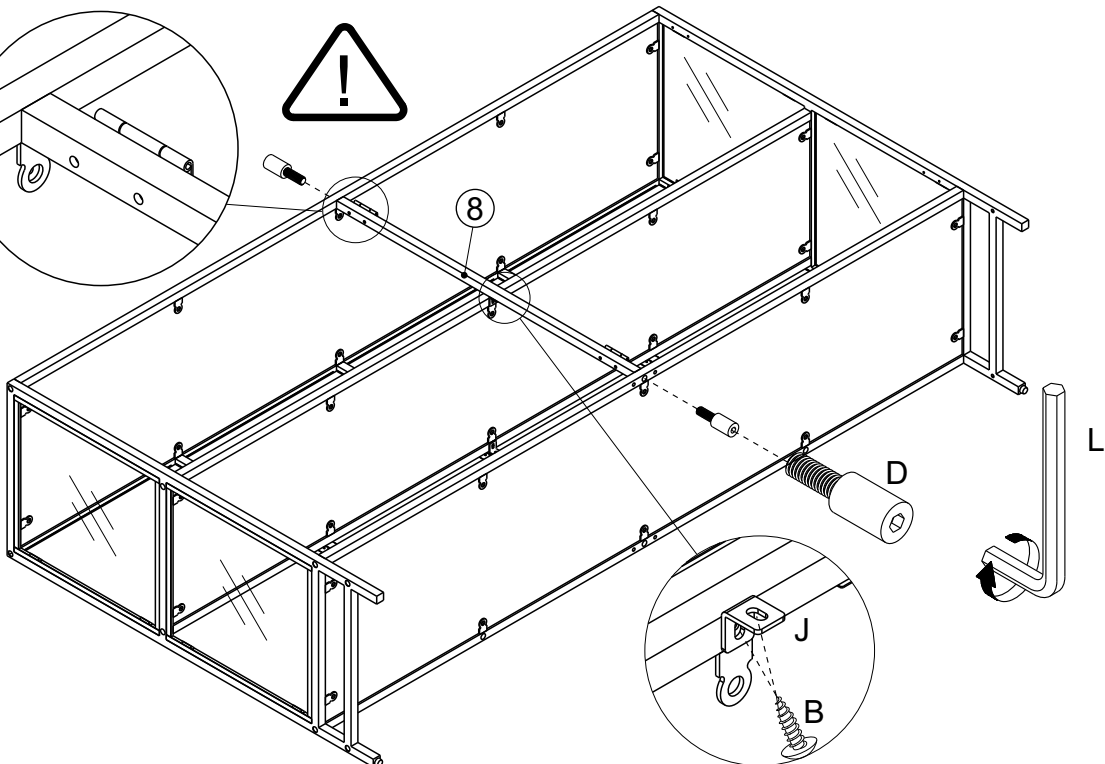
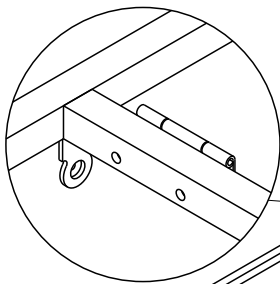
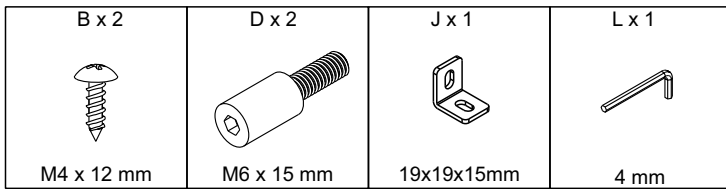
B x 2  M4 x 12 mm	D x 4  M6 x 15 mm	J x 1  19x19x15mm	L x 1  4 mm
--	--	--	--



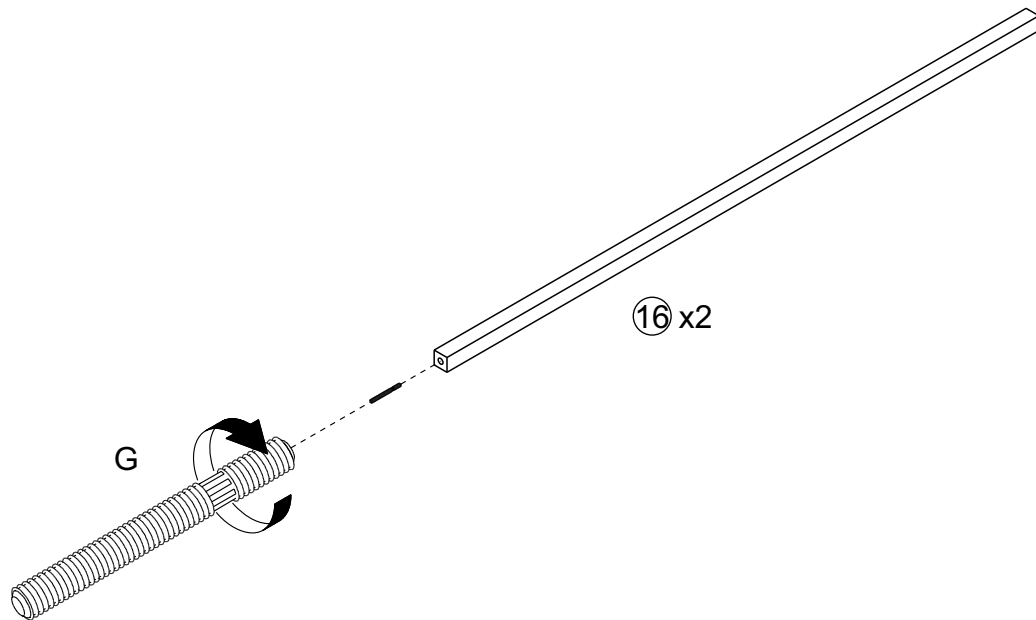
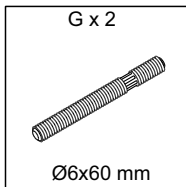
7



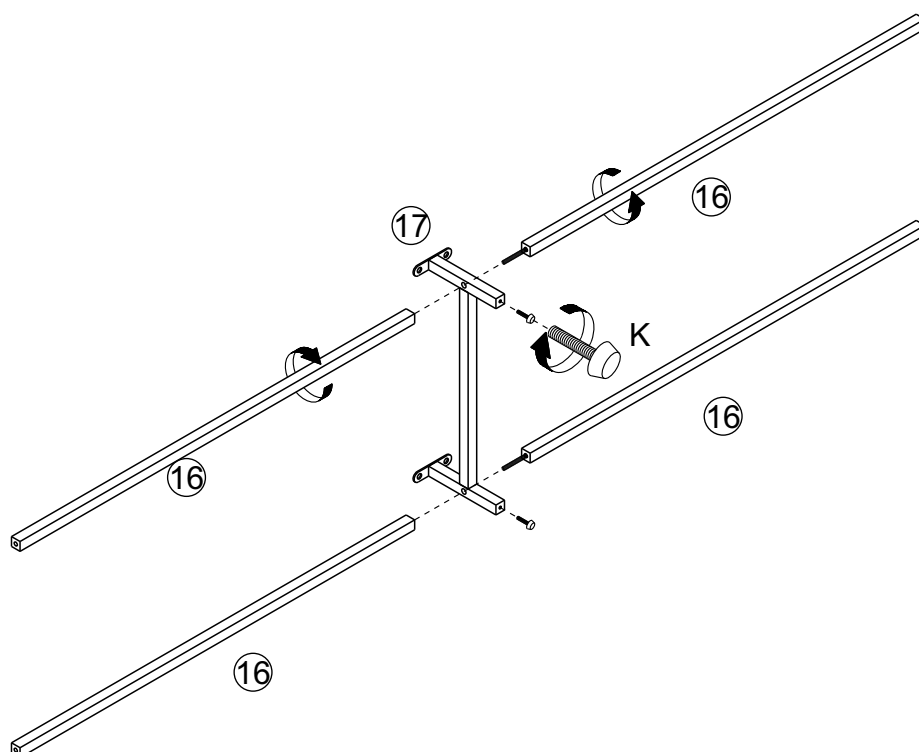
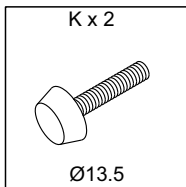
8



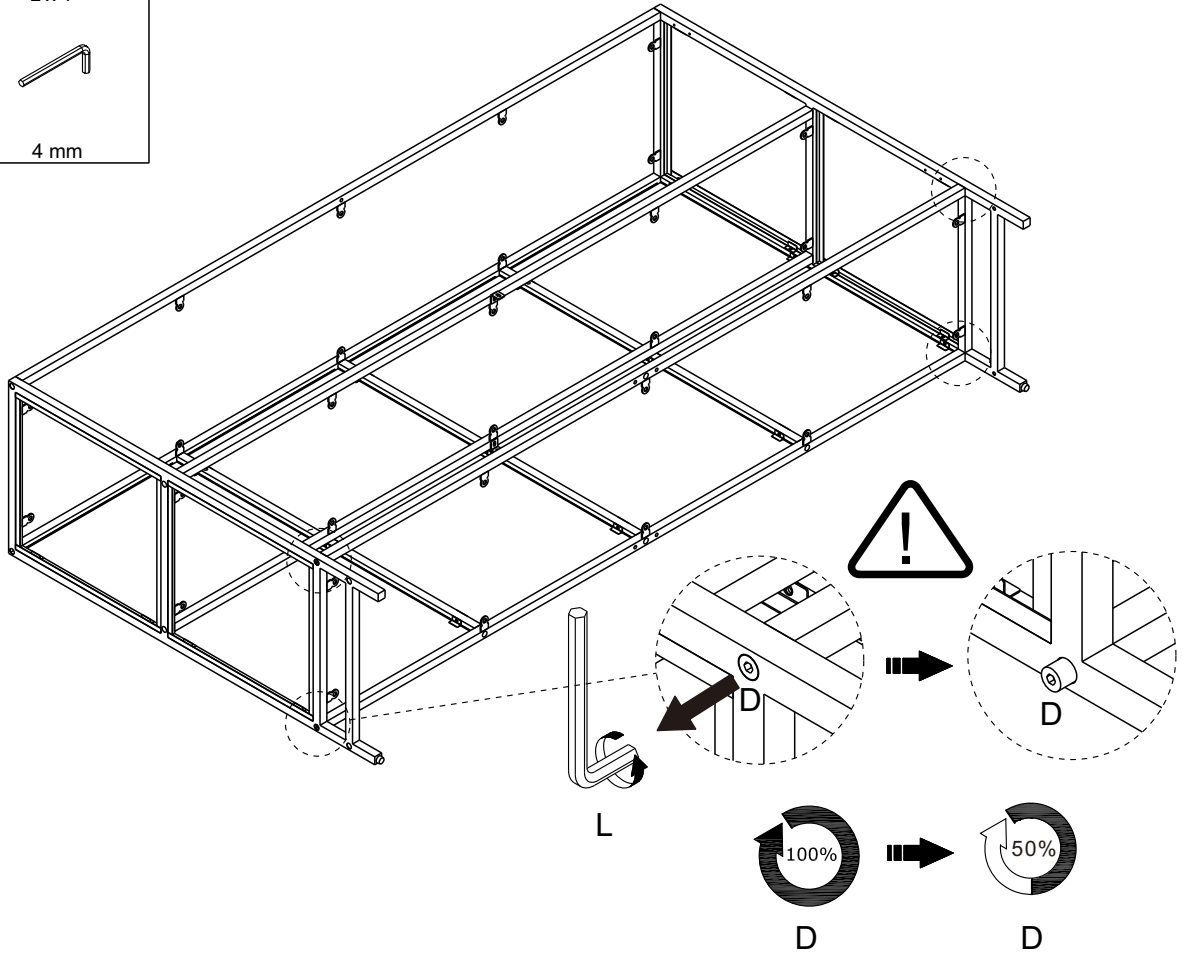
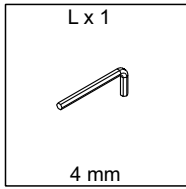
9



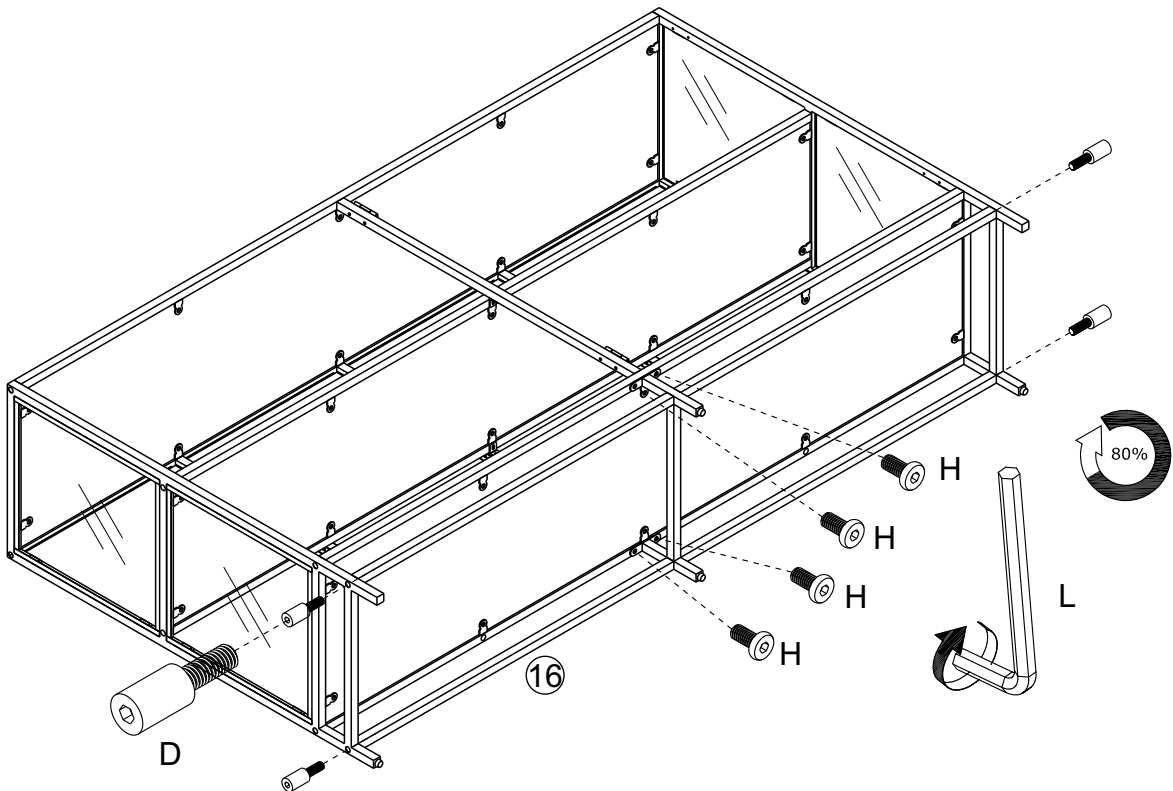
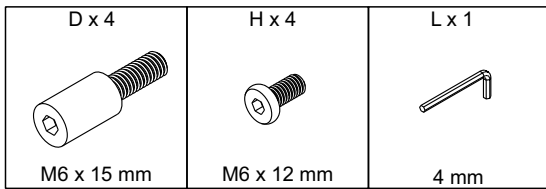
10



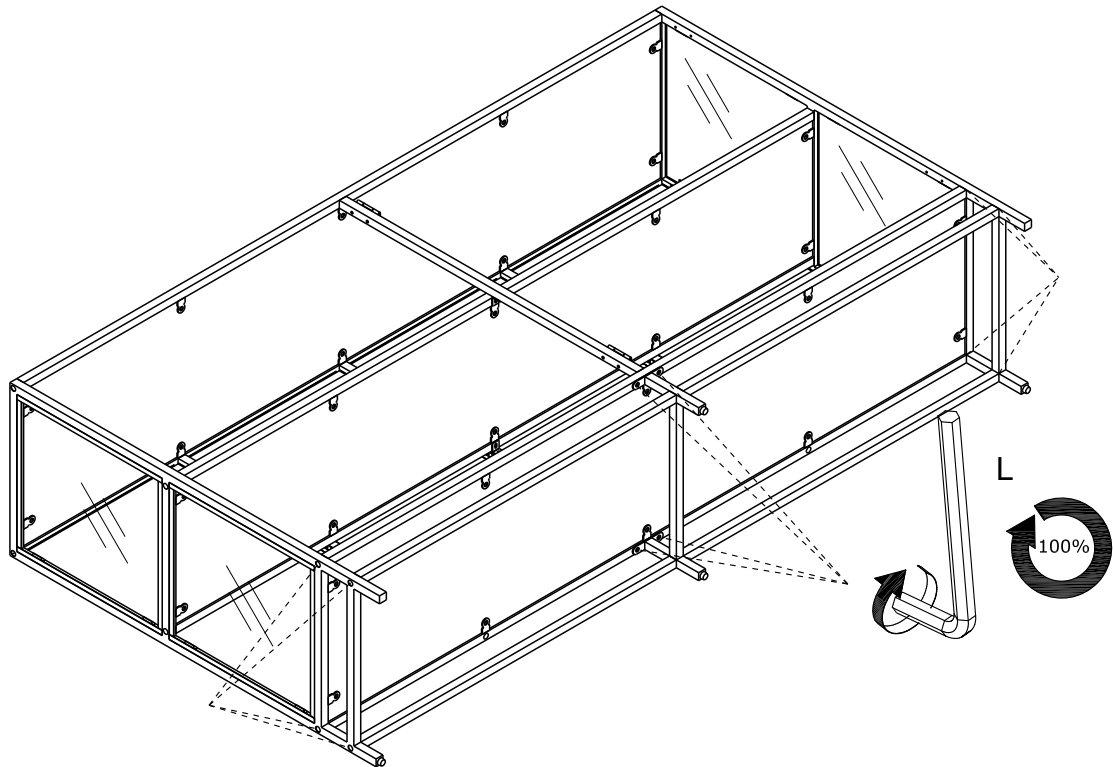
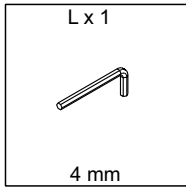
11



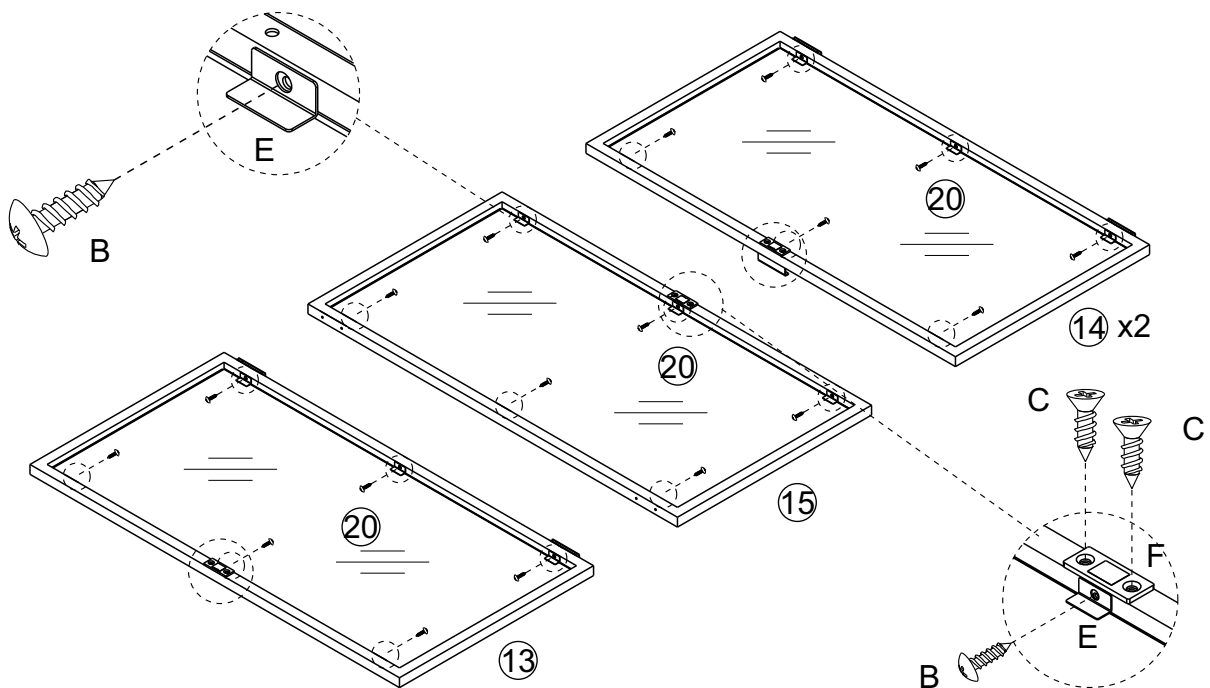
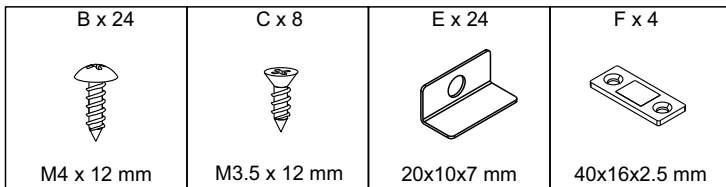
12



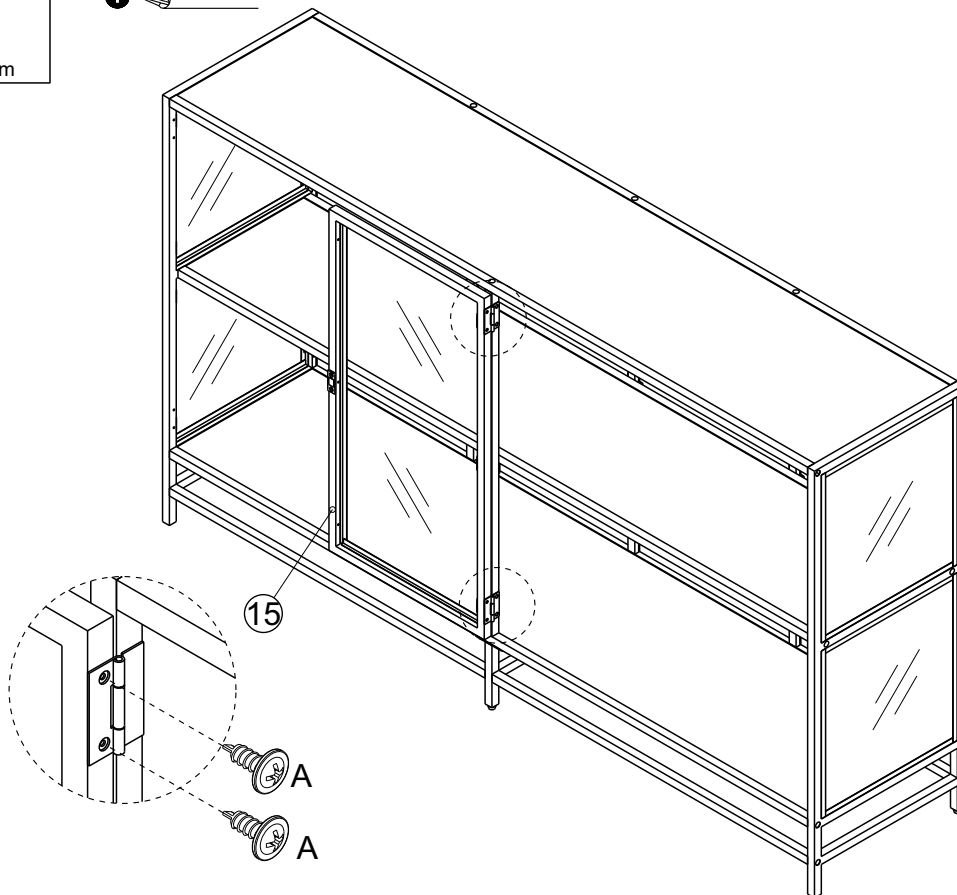
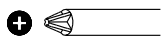
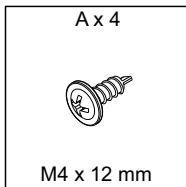
13



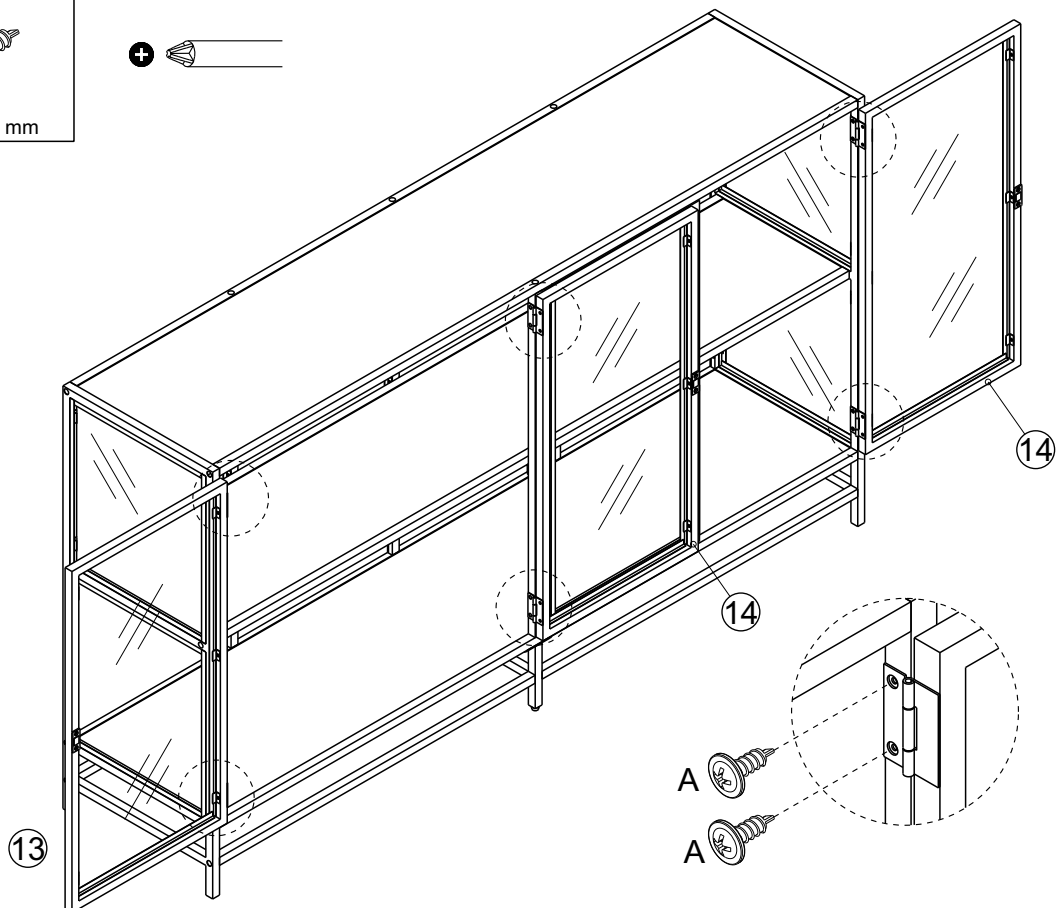
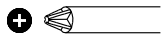
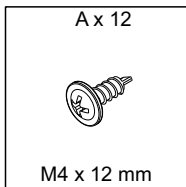
14



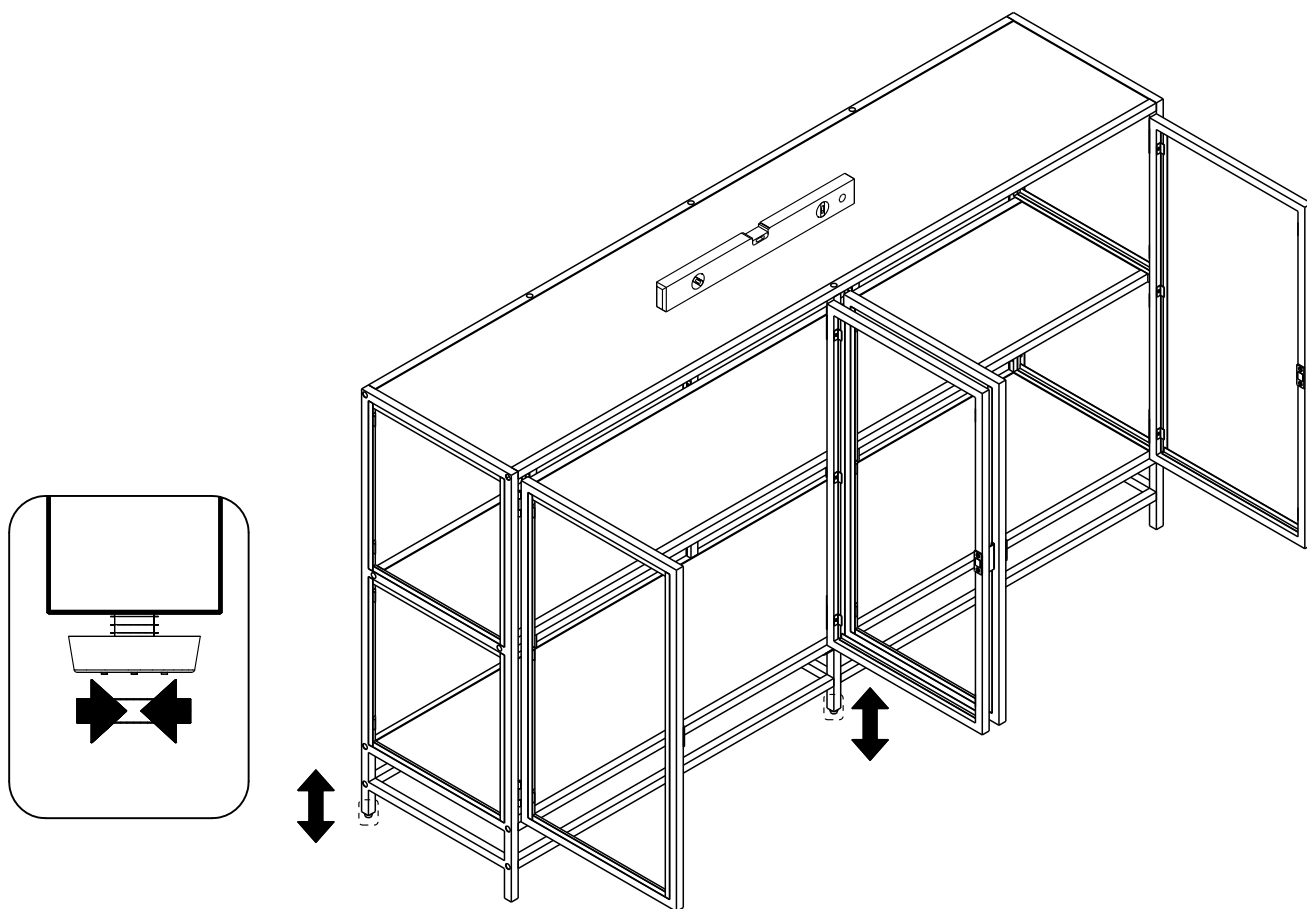
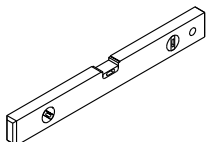
15



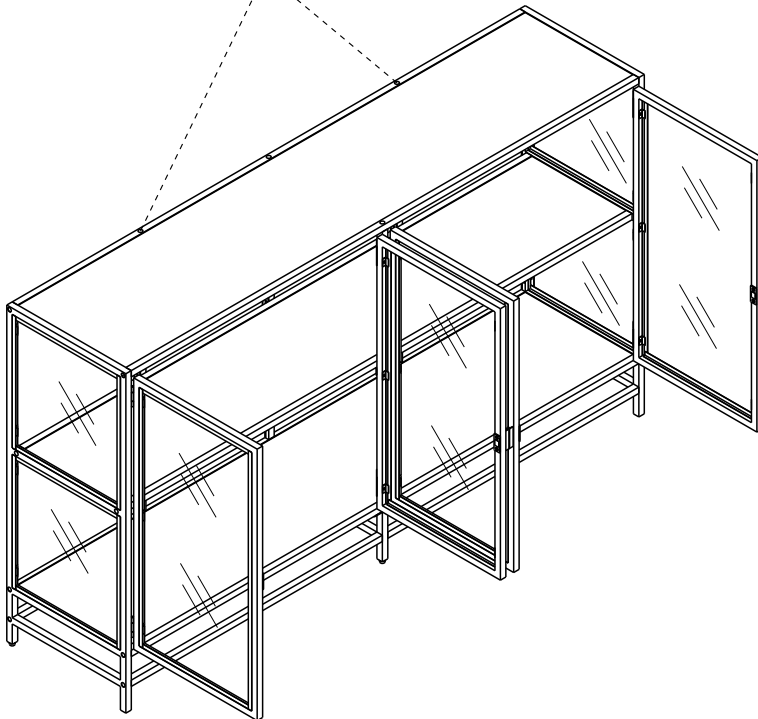
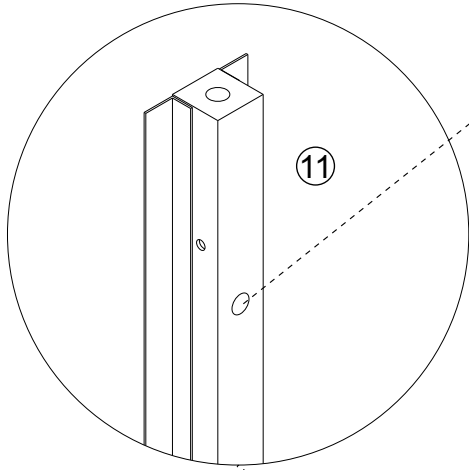
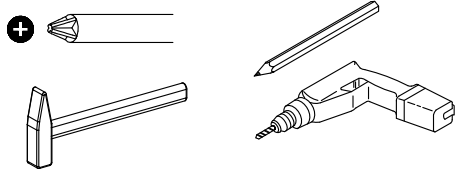
16



17



18



<p>I</p>
<p>II</p>
<p>III</p>
<p>IV</p>

