

MODEL : BBT 6005 A1 BED

ASSEMBLY INSTRUCTIONS

Read this instruction carefully. See hardware and furniture part list for guidance. Be sure all parts are complete, before you assemble. Place all wooden furniture parts on a clean and flat soft surface to prevent from being scratched. Follow the figure to start assembling.

CAUTIONS :

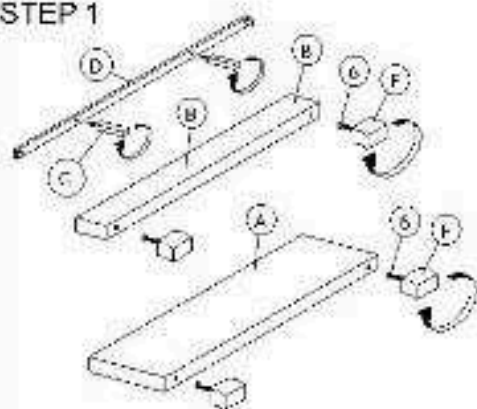
1. Do not FULLY - TIGHTEN the nut or nut bolt until all nut or bolt is ready assembled.
2. Do not OVER - TIGHTEN the nut or bolt to avoid causing damage to the thread.
3. Keep all hardware parts out of reach of children.

NOTE : THE LIST AND QUANTITY SHOWN ARE FOR 1 UNIT ASSEMBLY

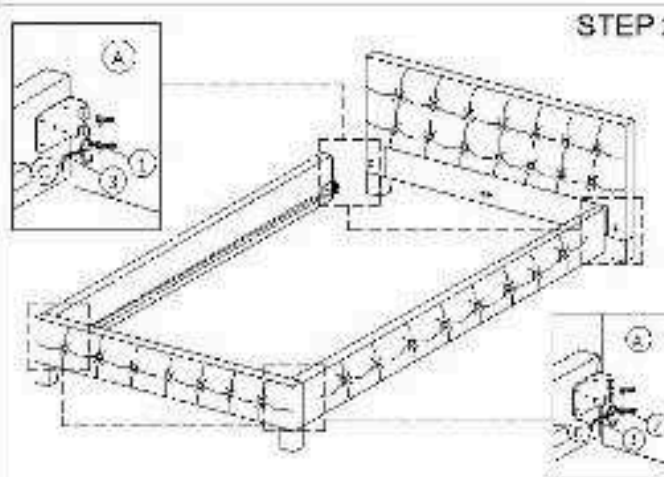
PART LIST		
ITEM	DESCRIPTION	QTY
A	HEADBOARD	1 PC
B	FUSION BOARD	1 PC
C	SIDE RAIL	2 PCS
D	CENTEL RAIL	1 PC
E	CENTEL SUPPORT	2 PCS
F	BED LEG	4 PCS
G	CENTEL SUPPORT LEG	2 PCS
H	BED SLAT	24 PCS

PART LIST		
ITEM	DESCRIPTION	QTY
1	IRON NUT 25 x 45 mm	4 pcs
2	WOOD SCREW 40 x 50 mm	8 pcs
3	WASHER KEY	1 pc
4	BED SLAT BRACKET	24 pcs
5	WOOD NUT 25 x 45 mm	17 pcs
6	WASHER KEY	4 pcs
7	WOOD SCREW 25 x 30 mm	4 pcs

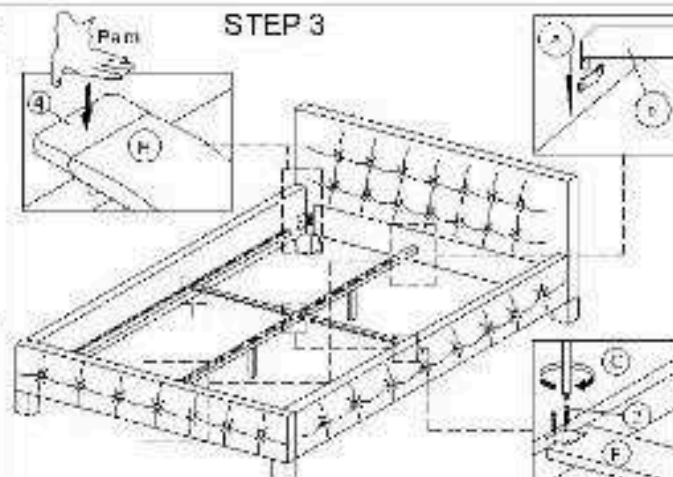
STEP 1



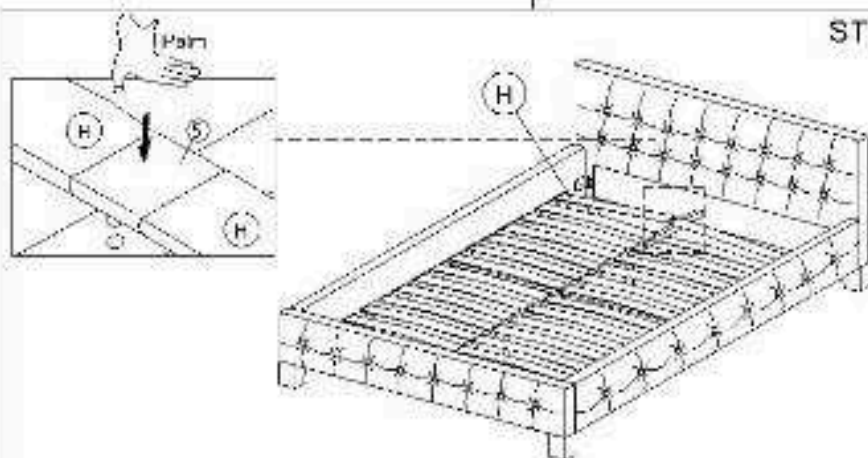
STEP 2



STEP 3



STEP 4



STEP 5



* When moving the bed position, the cable support legs must be used to be straight to avoid a broken product.