

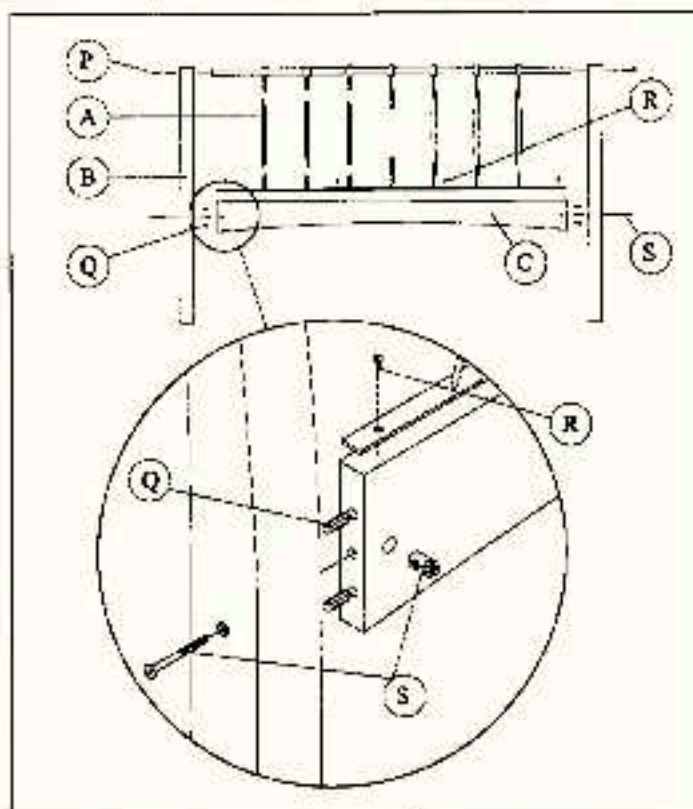
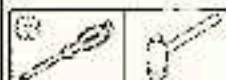
ASSEMBLY INSTRUCTION FOR PSN 1.6-1161-UNS-KD (LOZKO MANHATAN)

- Note:**
- Read instructions carefully.
 - Identify visually each component especially those bearing number.
 - Separate and identify each component from the shipping pack and fit each one at its proper location before fastening.
 - Do not over-tighten the screws or bolts when assembling.

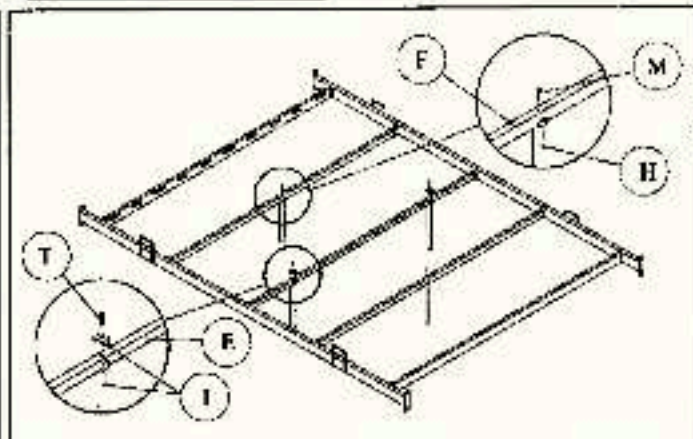


2 Persons

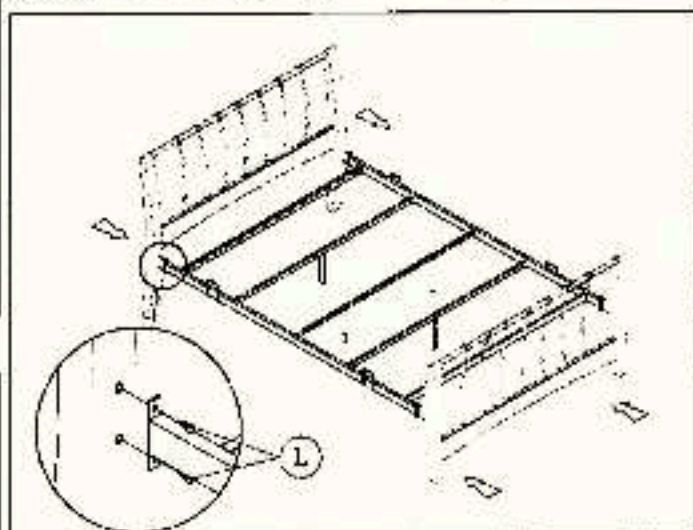
TOOL REQUIRED



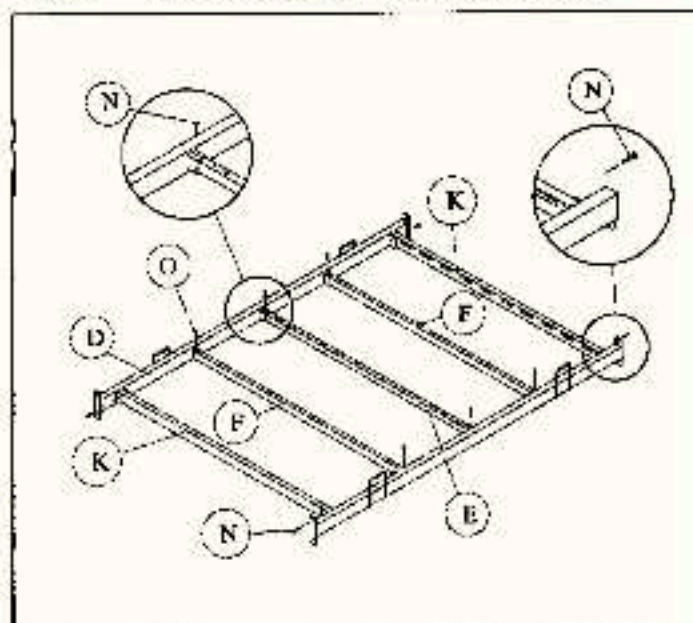
Step 1 Assemble the bed frame component as shown.



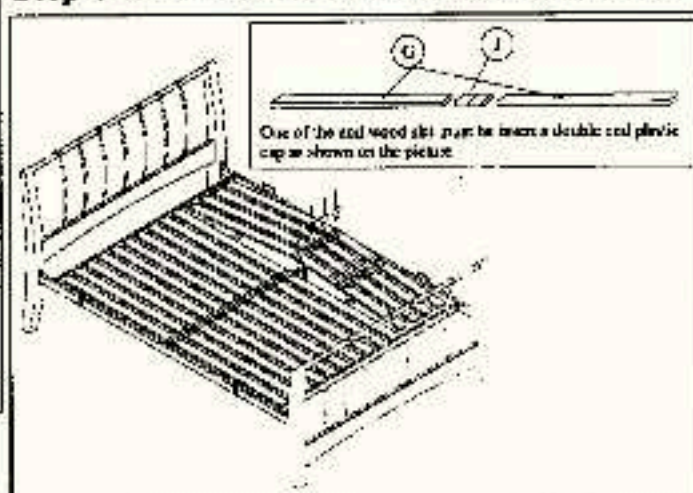
Step 3 Fix bed support legs as shown on the picture.



Step 4 Assemble head base into bed frame and tighten all bolts.




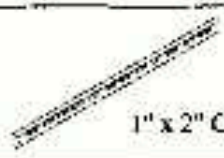
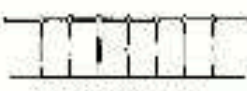







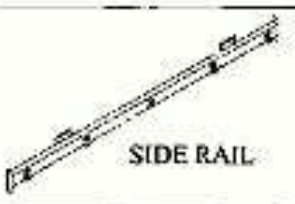

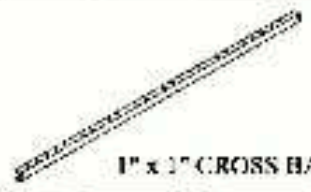

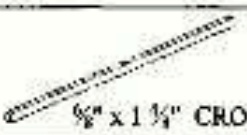

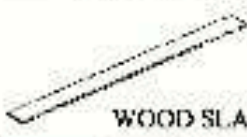





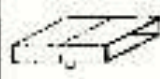

Step 2 Fix both side rails 'D' and cross bar 'E' with bolt 'N' as above diagram. Put cross bar 'F' into side rail and fix in bolt 'O'. After that put end cross bar 'K' to the end of side rail and tighten with bolt 'N'.



Step 5 Once wood slats have been inserted into the plastic caps, fix one end of wood slat into the hole of end cross bar 'K' and the other end to the other end cross bar. After that fix the plastic cap to the center cross bar by pressing it accordingly to the default holes. Ensure the plastic cap's pin aimed to the hole.

Please follow our Assembly Instruction procedure for easier assemble.

HARDWARE & PART LIST FOR PSN 1.6-1161-UNS-KD (LOZKO MANHATAN)

NO	PART	QTY	NO	PART	QTY
A	 HEAD FRAME	1 pc	K	 1" x 2" CROSS BAR	2 pcs
	 FOOT FRAME	1 pc	L	 M6x25mm	8 pcs
B	 HEAD WOOD POST	2 pcs	M	 M6x45mm (assembled)	2 pcs
	 FOOT WOOD POST	2 pcs	N	 M6x40mm (assembled)	6 pcs
C	 WOOD FRONT RAIL	2 pcs	O	 M6x50mm (assembled)	4 pcs
D	 SIDE RAIL	2 pcs	P	 M6x80mm	4 pcs
E	 1" x 2" CROSS BAR	1 pc	Q	 WOOD DOWEL	8 pcs
F	 3/4" x 1 1/4" CROSS BAR	2 pcs	R	 CHIPBOARD SCREW 16mm	8 pcs
G	 WOOD SLAT	28 pcs	S	 M6 x 100mm + Nut	4 pcs
H	 SHORT SUPPORT LEG	2 pcs	T	 M6x40mm (assembled)	2 pcs
I	 LONG SUPPORT LEG	2 pcs		 M6 - ALLEN KEY	1 pc
J	 Double end plastic cap	14 pcs		 M8 - ALLEN KEY	1 pc