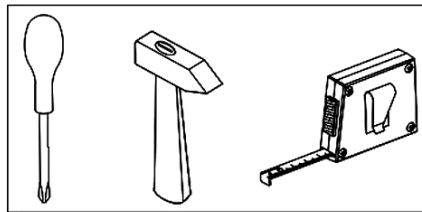
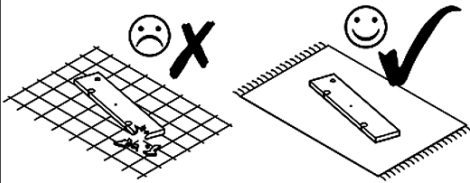
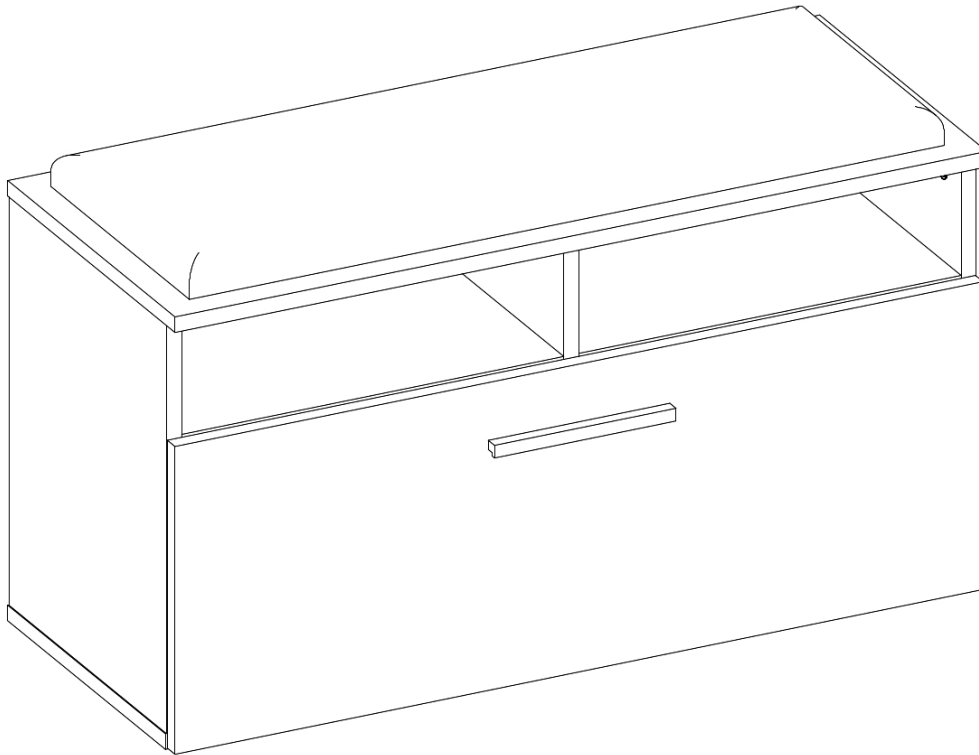
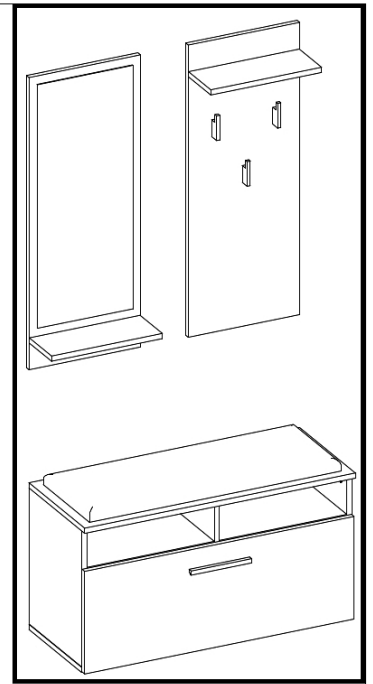
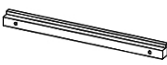

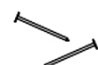





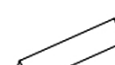






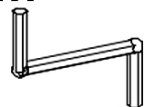




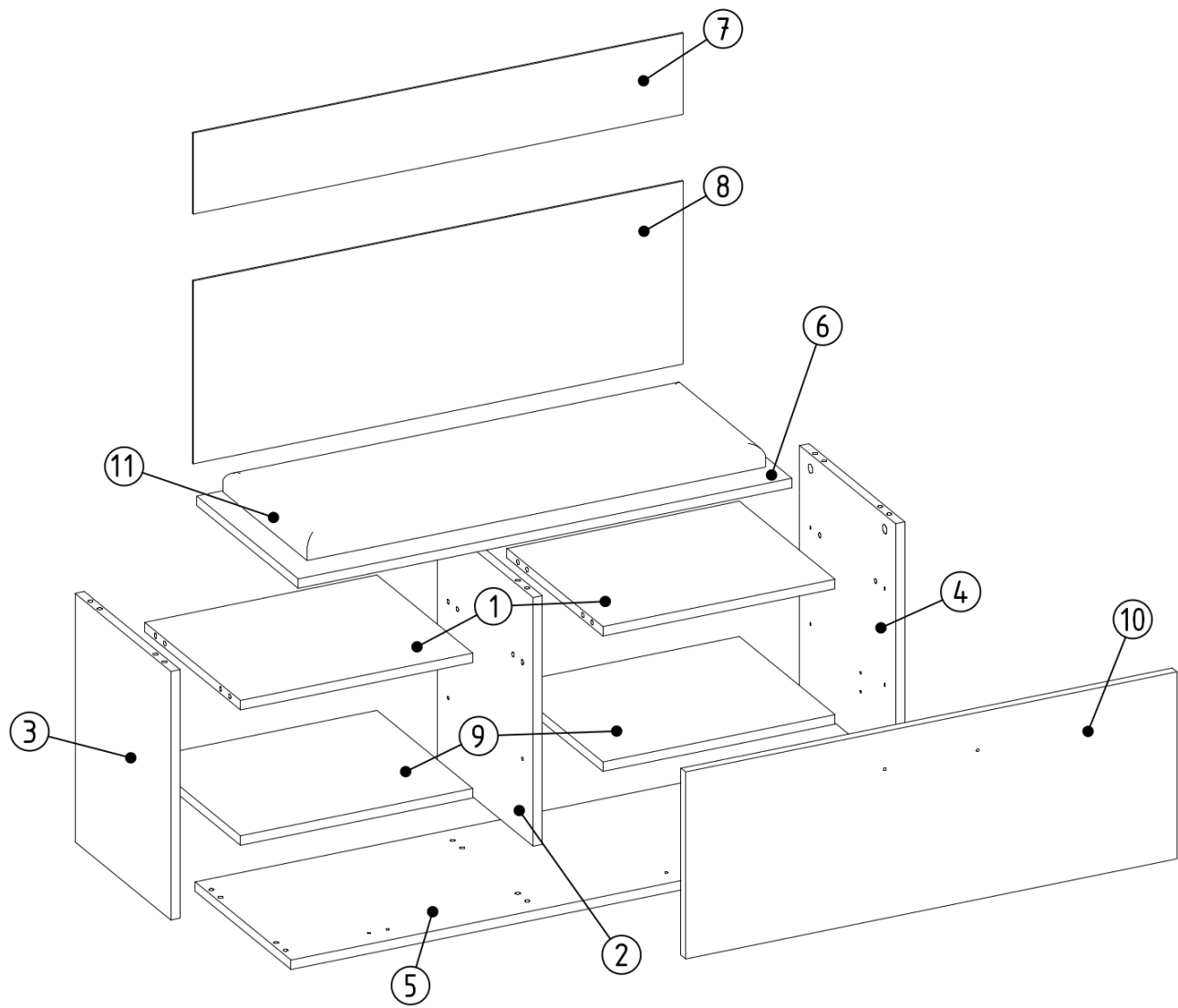


02.07.2020

RIVA S

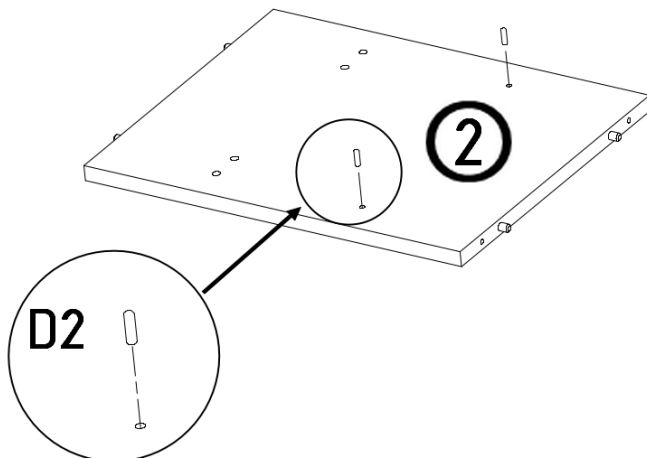
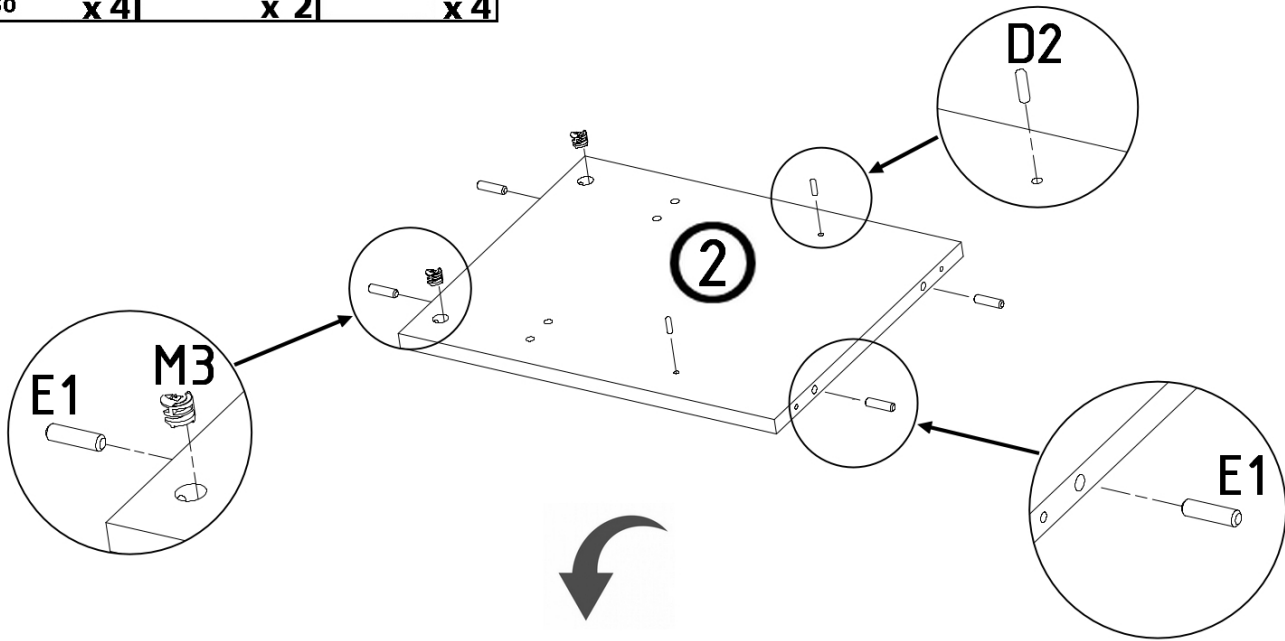
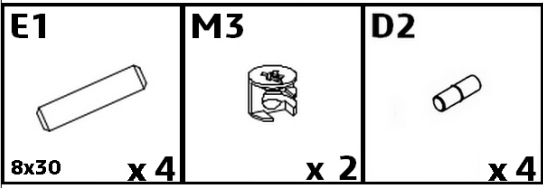
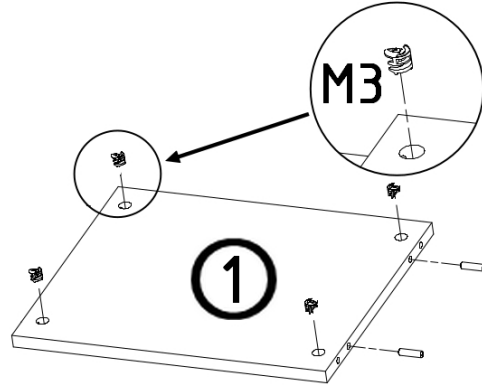
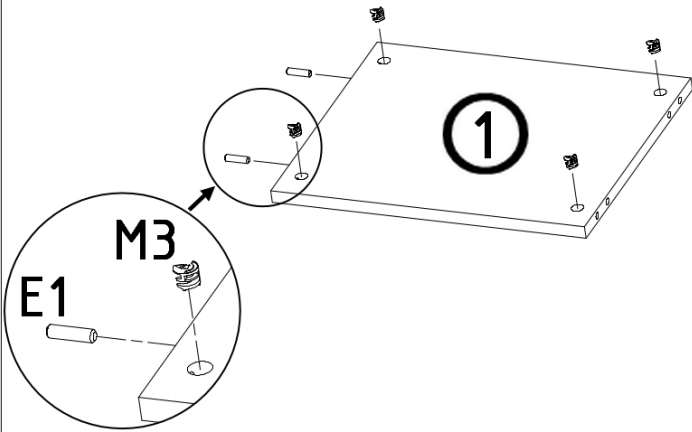
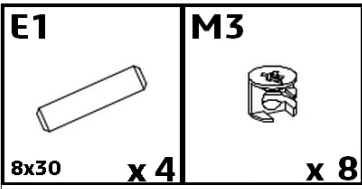




U3  x 1	S16  6x13 x 2	Z2  x 40	N1  x 6				
N2  20,3 x 10	M3  x 14	A0  ZP x 2	S1  3,5x16 x 6	E1  8x30 x 16	E3  8x50 x 2	S5  2,5x20 x 5	D2  x 8
N3  L=56 x 2	F2  x 6	Z4  x 5	K1  x 1	M2  x 6	V3  x 1	T1  x 6	S4  4x27 x 2

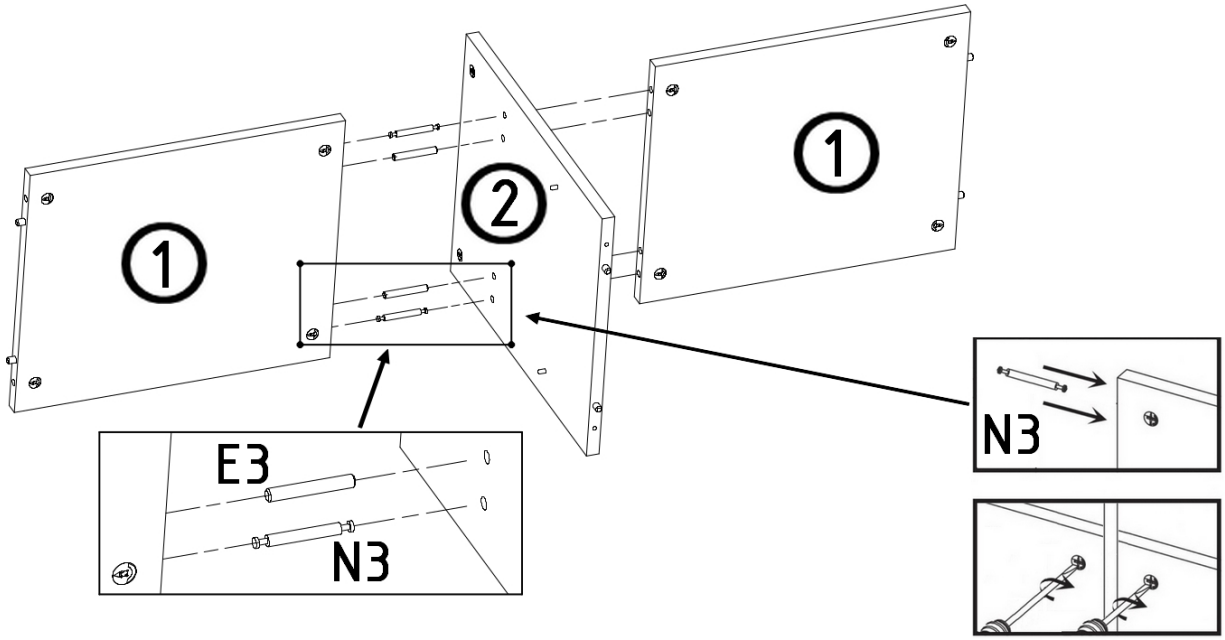






1	x	2
2	x	1
3	x	1
4	x	1
5	x	2

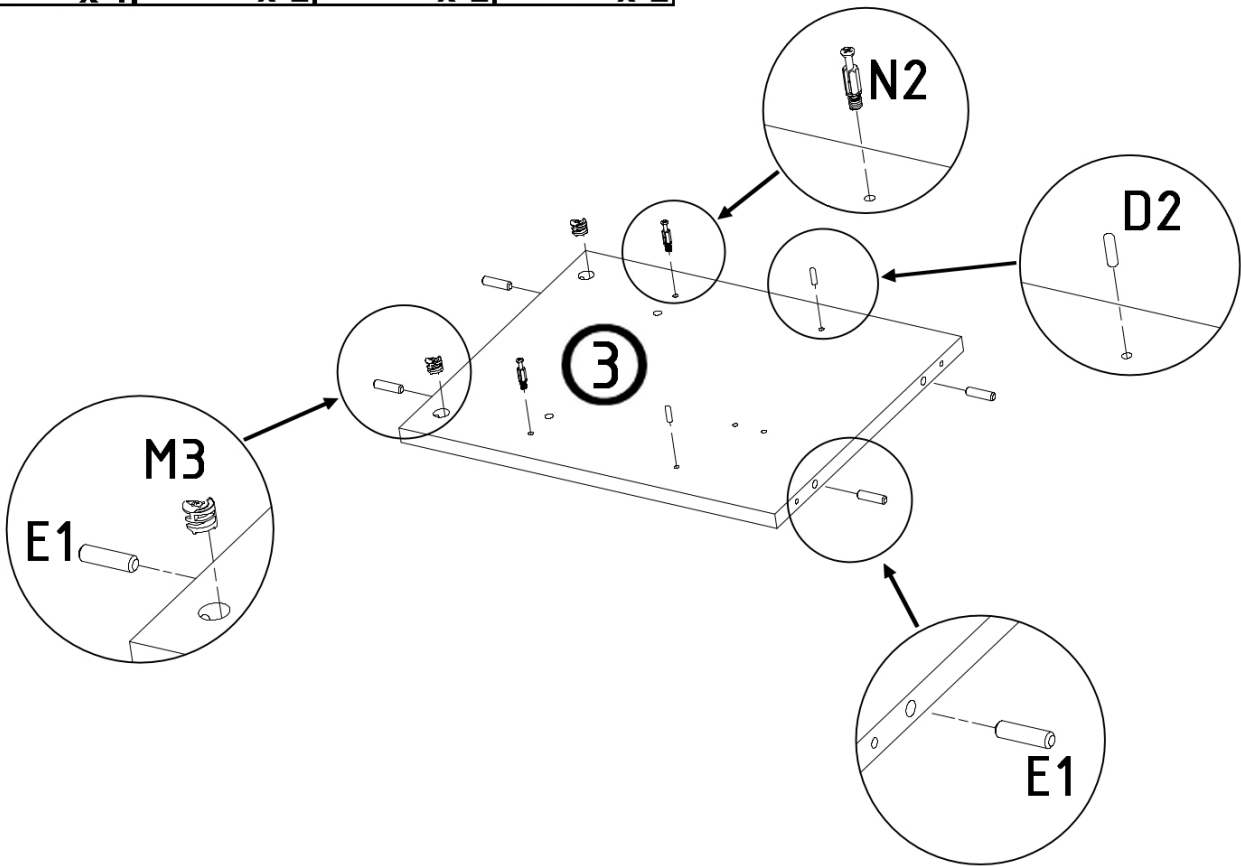
6	x	1
7	x	1
8	x	1
9	x	2
10	x	1
11	x	1

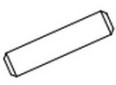





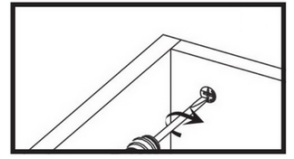
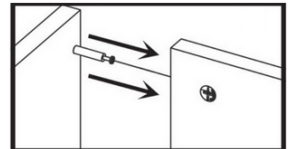
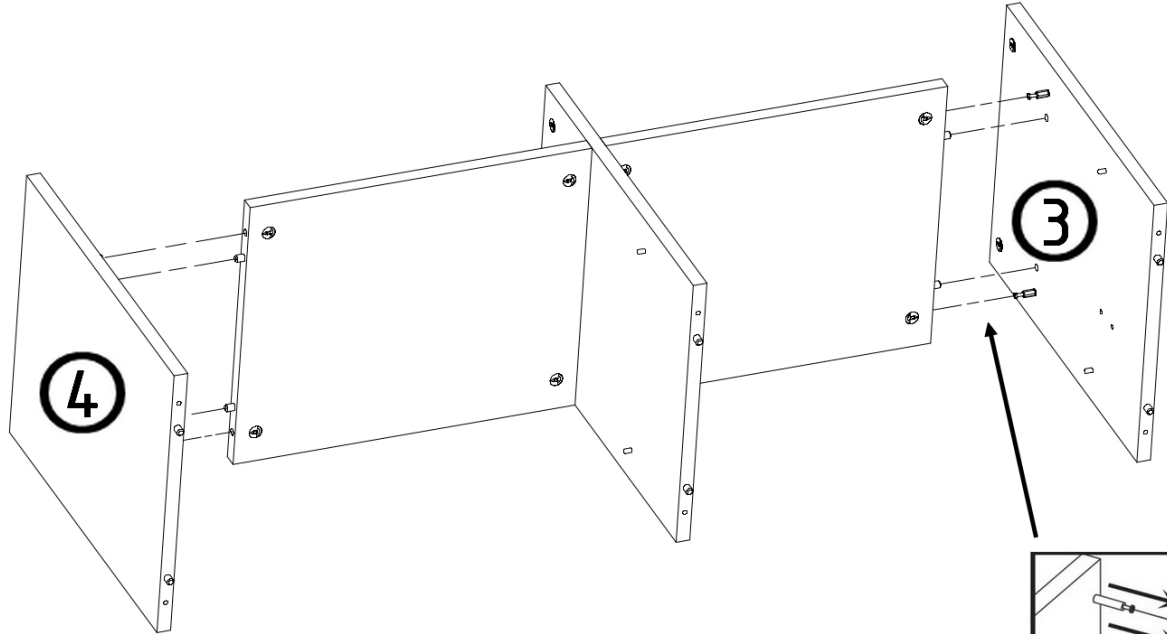
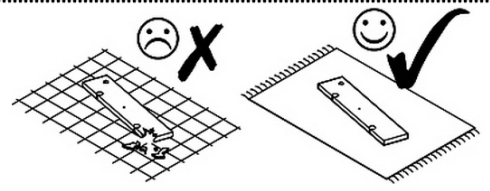
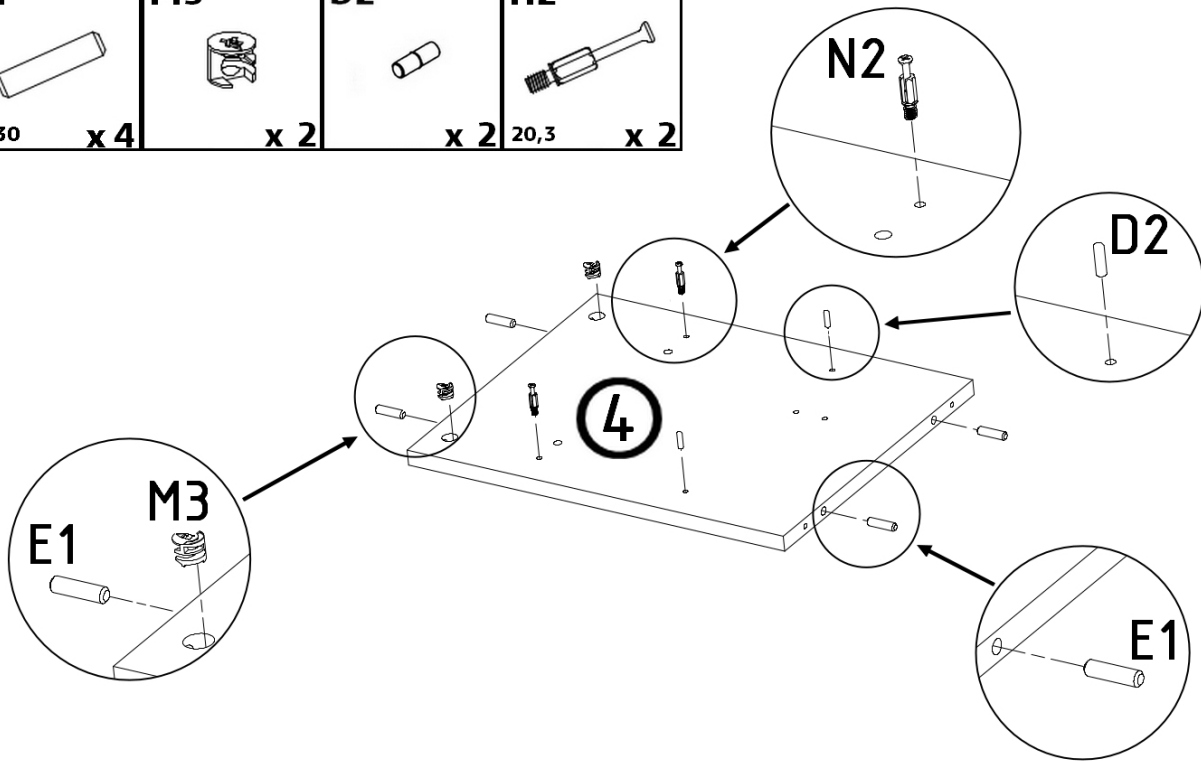
E3  8x50 x 2	N3  L=56 x 2
-----------------------------------------------------------------------------------------------------------	-----------------------------------------------------------------------------------------------------------




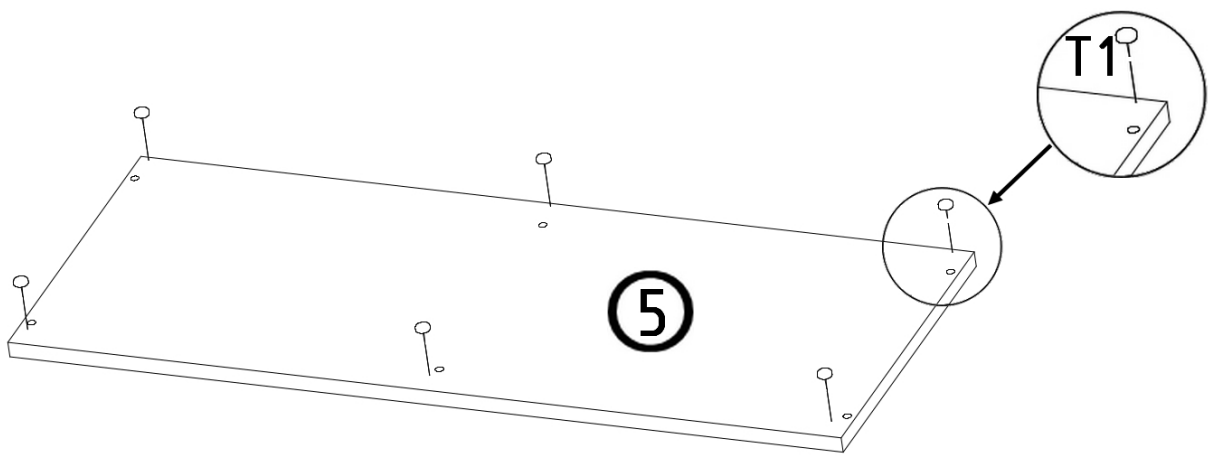
E1  8x30 x 4	M3  x 2	D2  x 2	N2  20,3 x 2
-------------------------------------------------------------------------------------------------------------	--------------------------------------------------------------------------------------------------------	-------------------------------------------------------------------------------------------------------	-------------------------------------------------------------------------------------------------------------




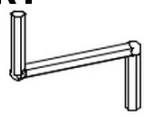
E1  8x30 x 4	M3  x 2	D2  x 2	N2  20,3 x 2
-----------------------------------------------------------------------------------------------------------	------------------------------------------------------------------------------------------------------	-------------------------------------------------------------------------------------------------------	-----------------------------------------------------------------------------------------------------------

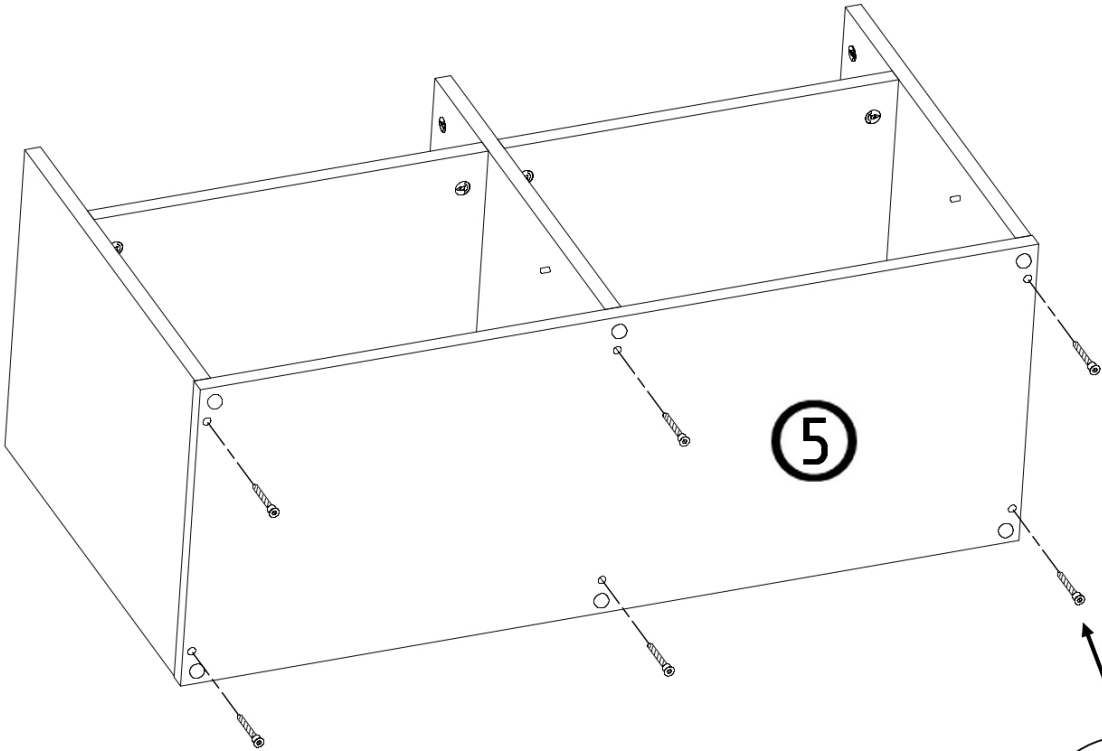
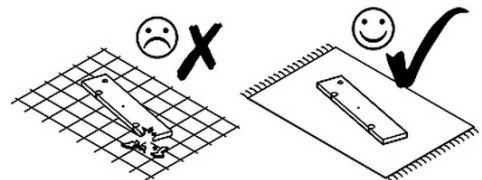



T1

x 6




F2

x 6

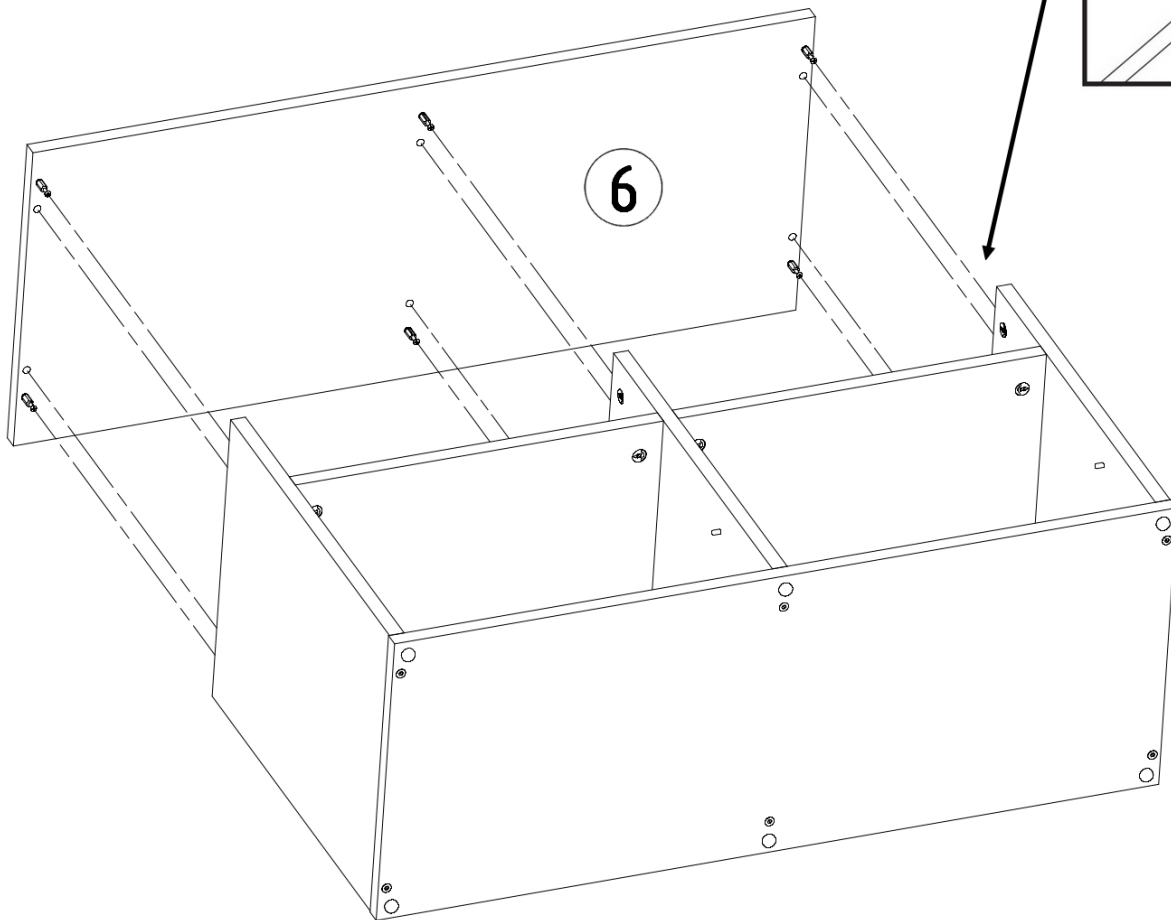
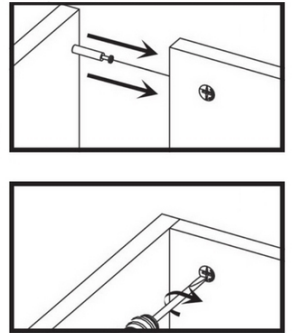
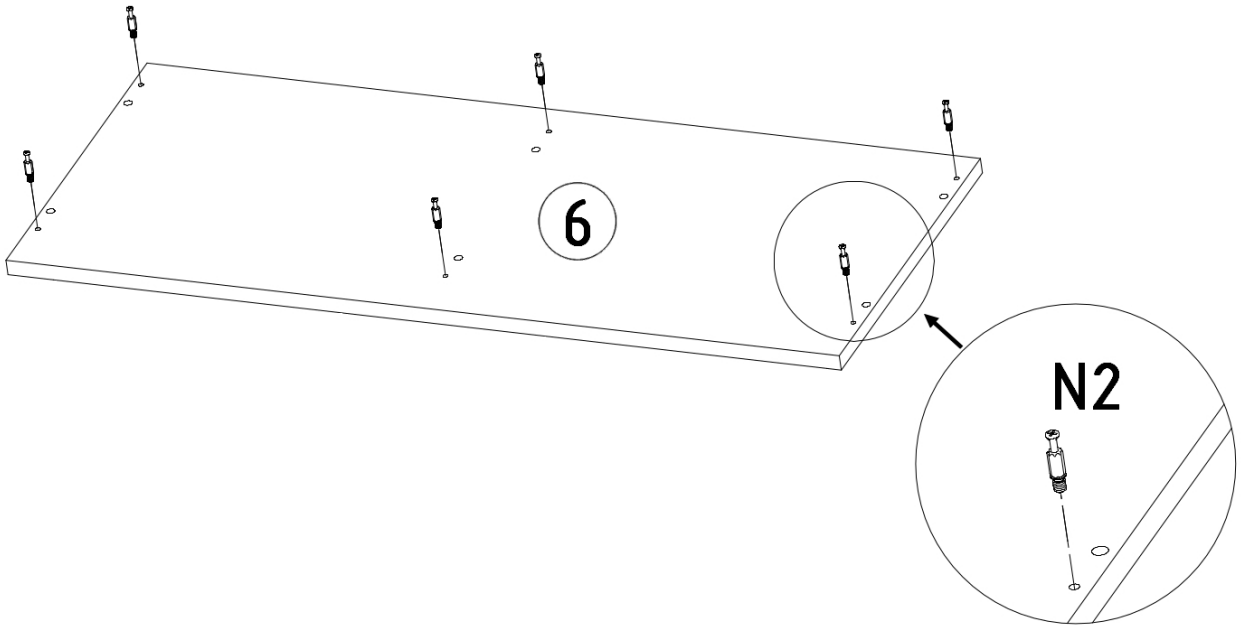
K1

x 1






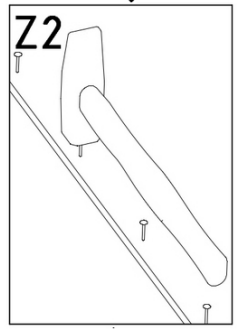
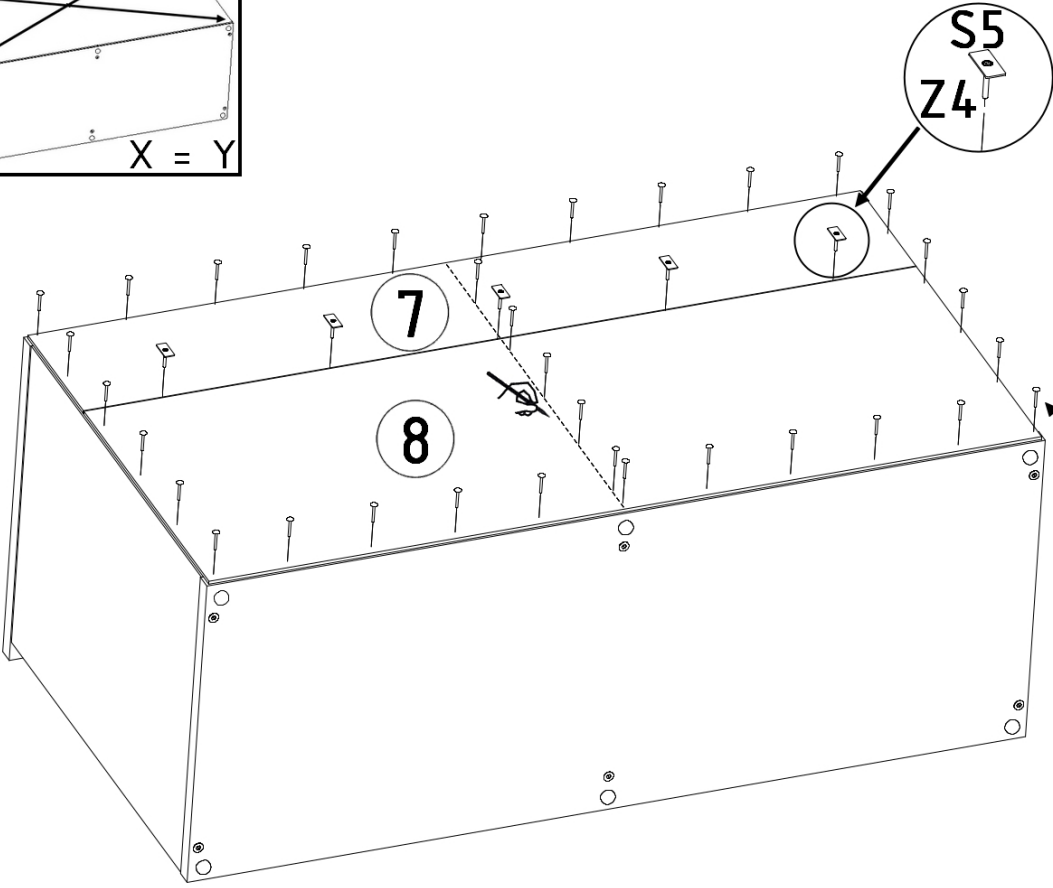
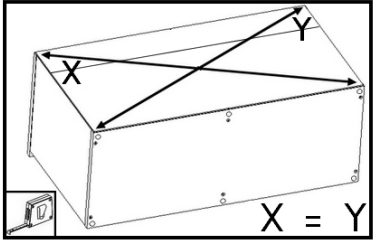
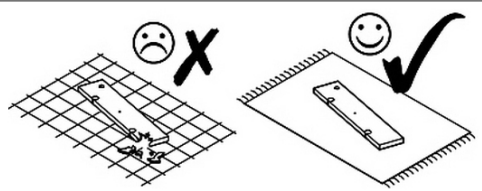
F2

K1


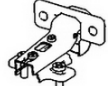


6

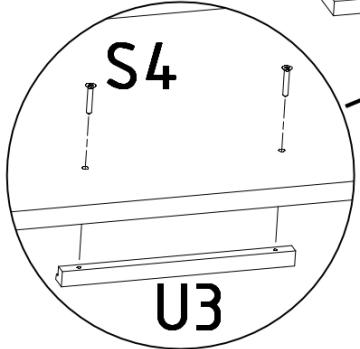
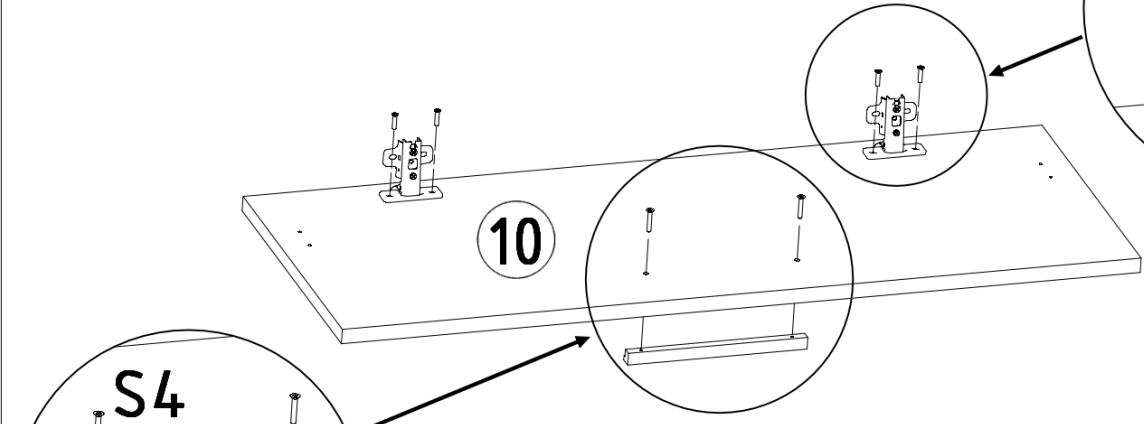
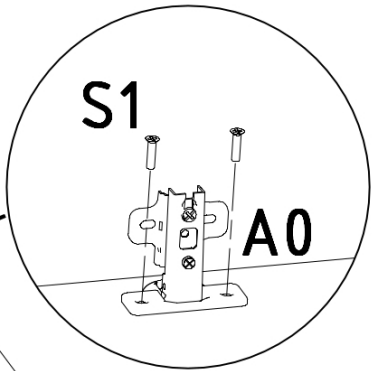
N2

20,3 x 6

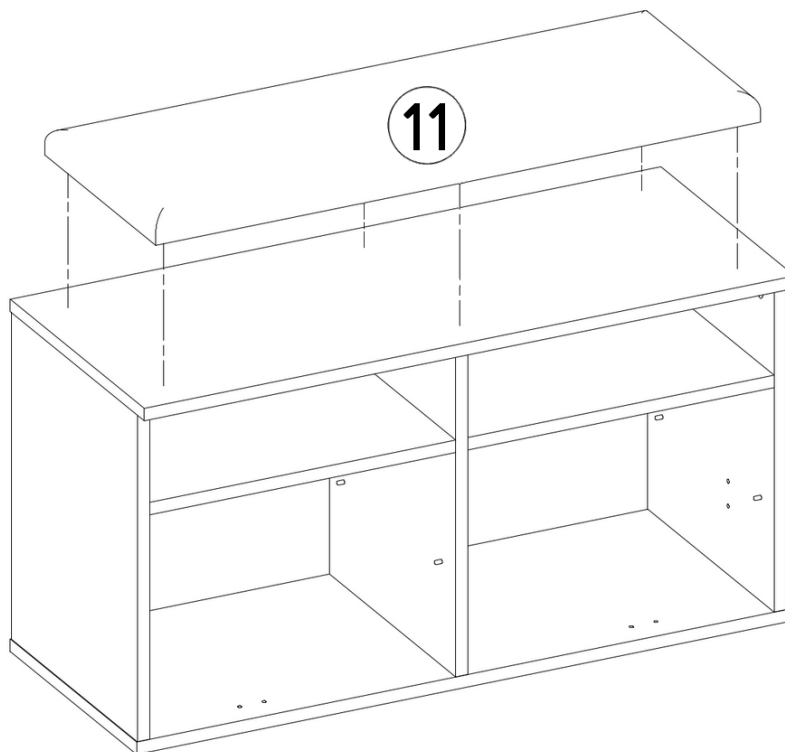
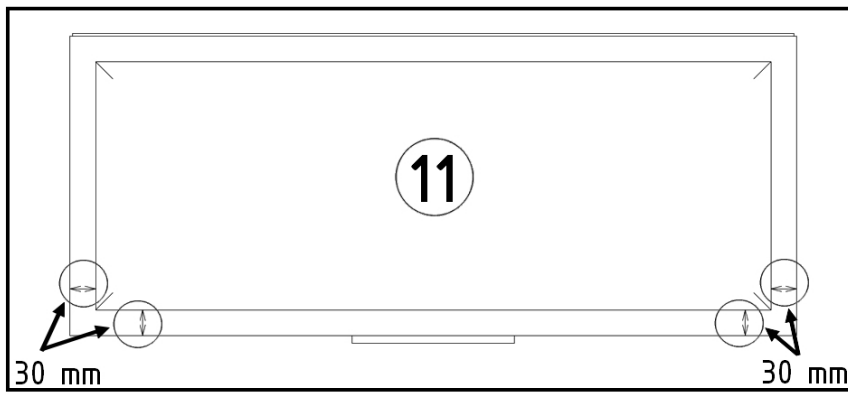
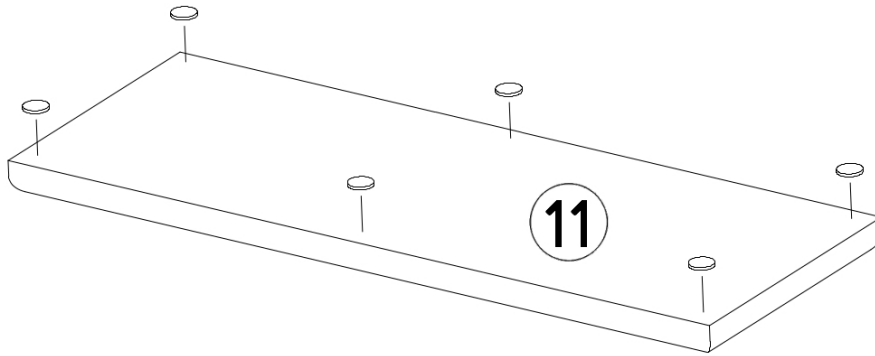
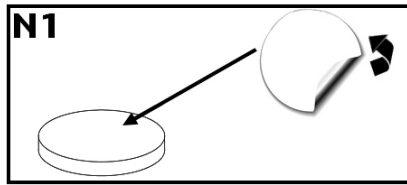
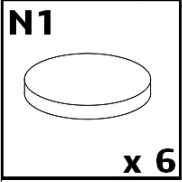





S5  2,5x20 x 5	Z4  x 5	Z2  x 40
--------------------------------------------------------------------------------------------------------------	-------------------------------------------------------------------------------------------------------	--------------------------------------------------------------------------------------------------------



S1  3,5x16 x 4	A0  x 2	U3  x 1	S4  4x27 x 2
----------------------------------------------------------------------------------------------------------------	---------------------------------------------------------------------------------------------------------	---------------------------------------------------------------------------------------------------------	--------------------------------------------------------------------------------------------------------------





V3 	S16 	S1 
x 1 6x13	x 2 3,5x16	x 2

