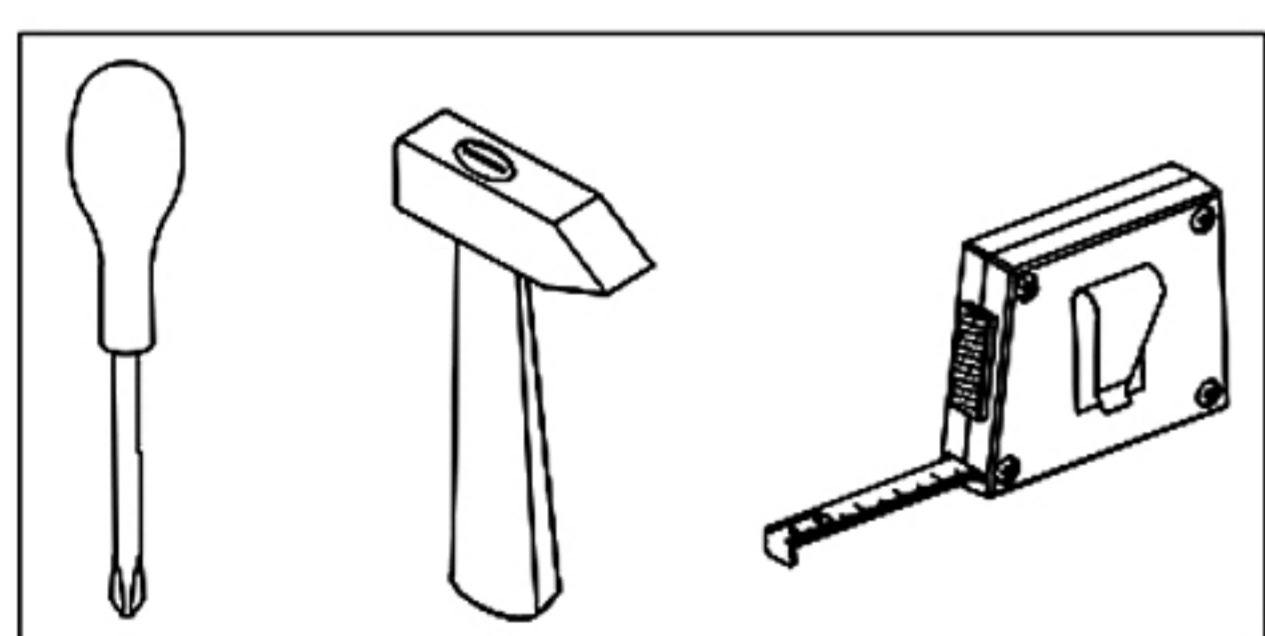
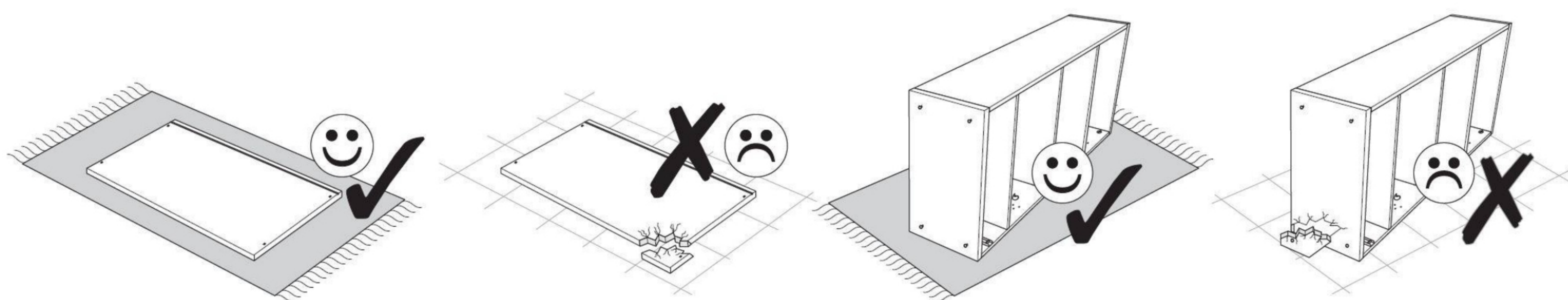
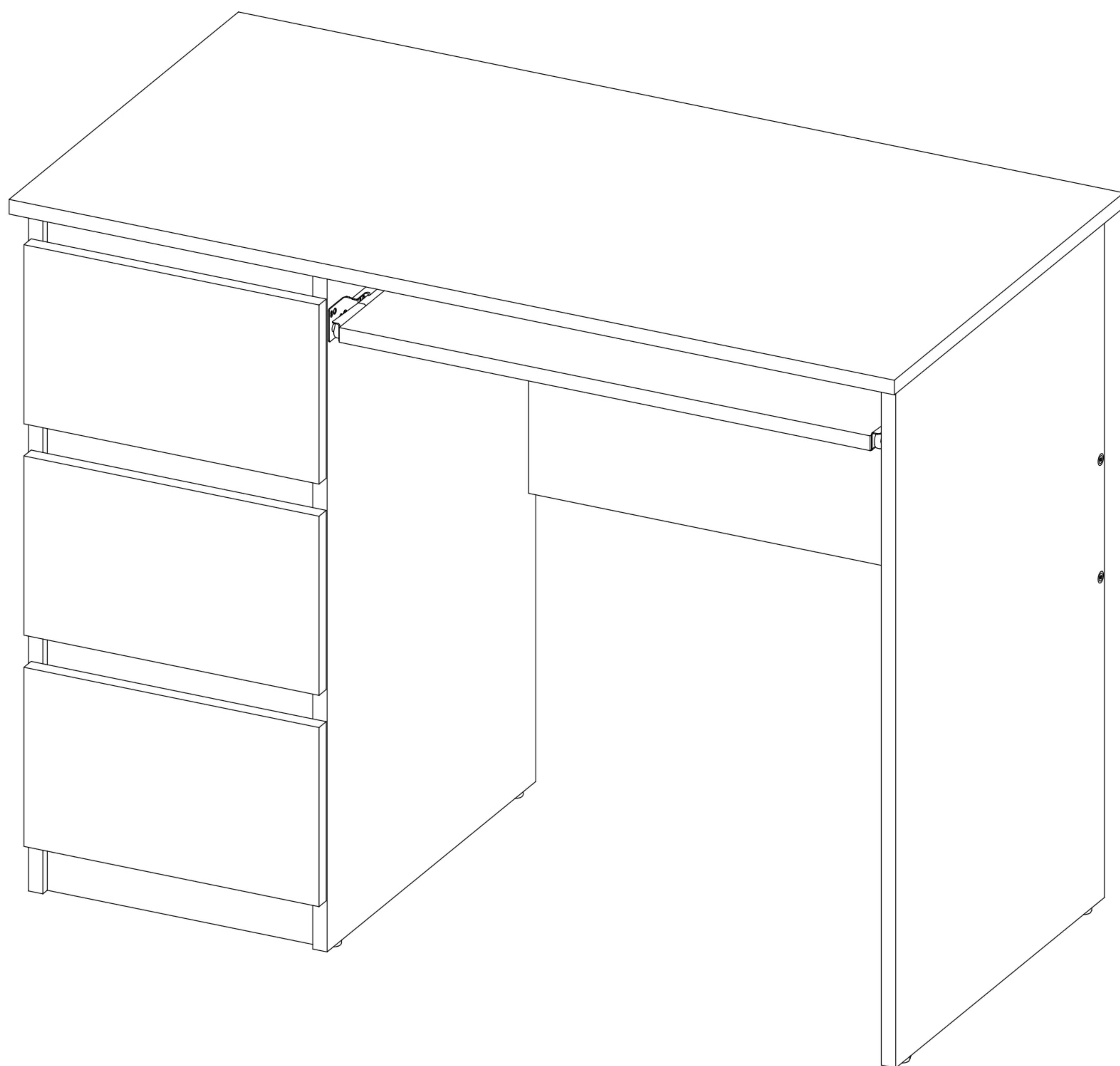
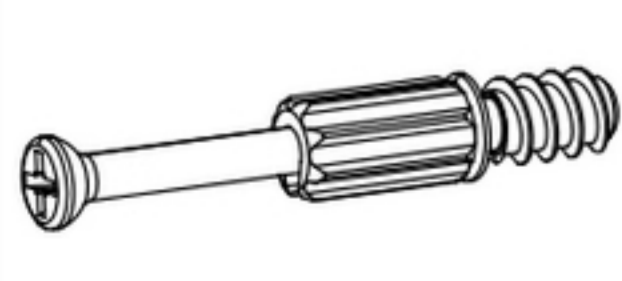
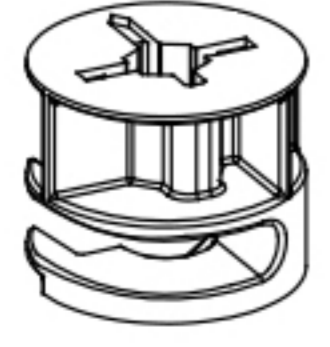
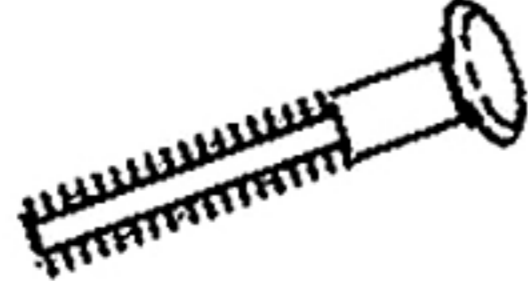

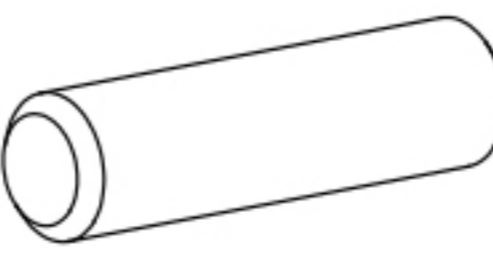
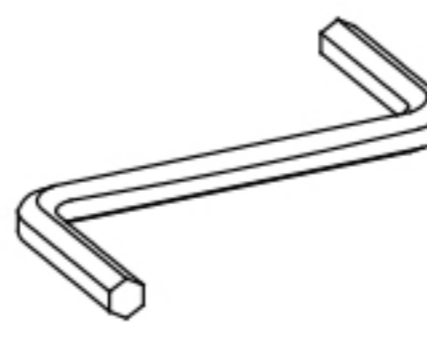
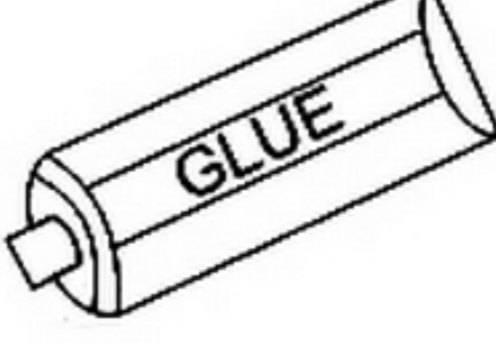




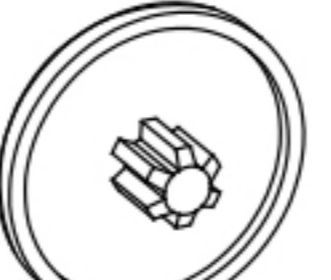
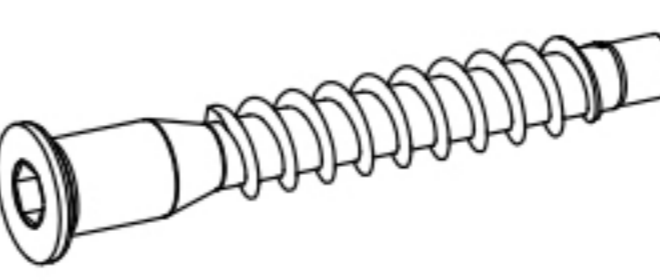
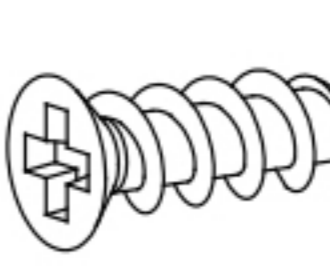

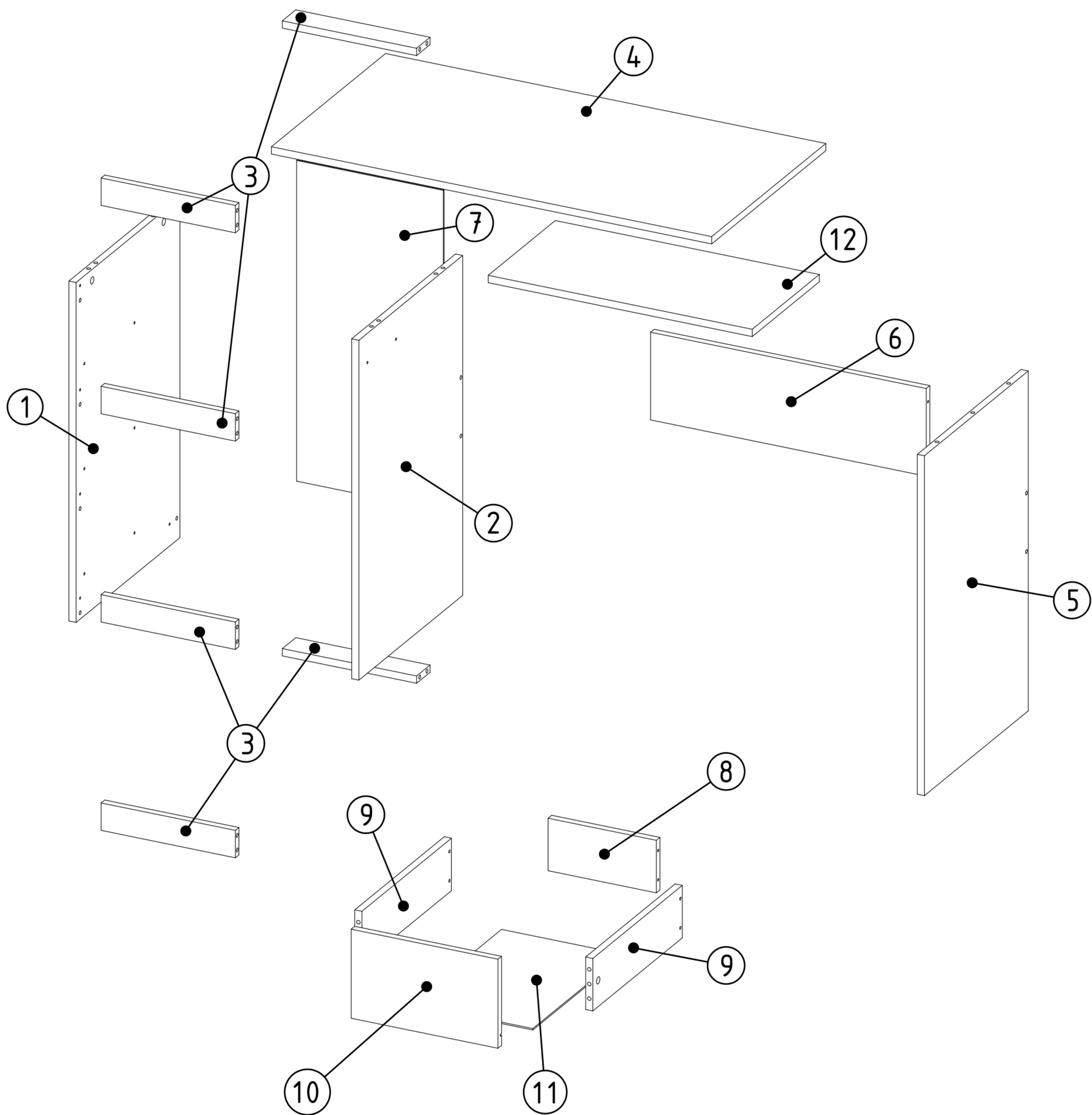


22/10/2020

LIMA 3S L

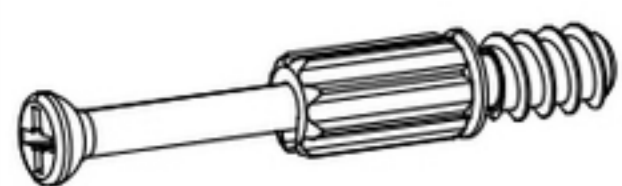
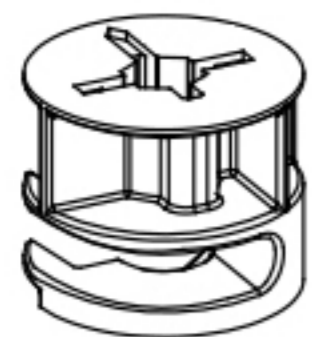
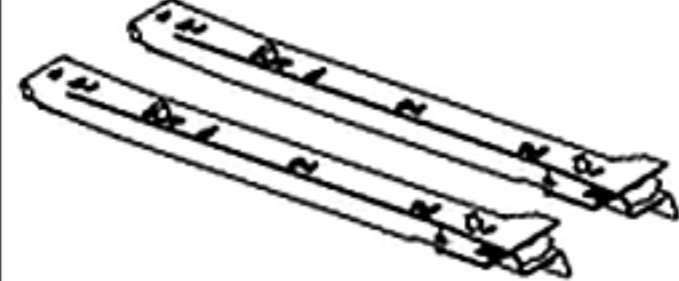

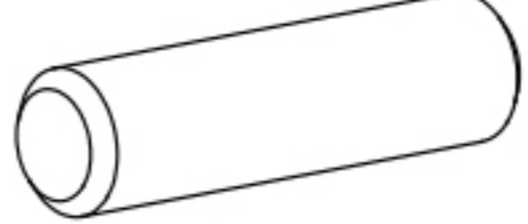



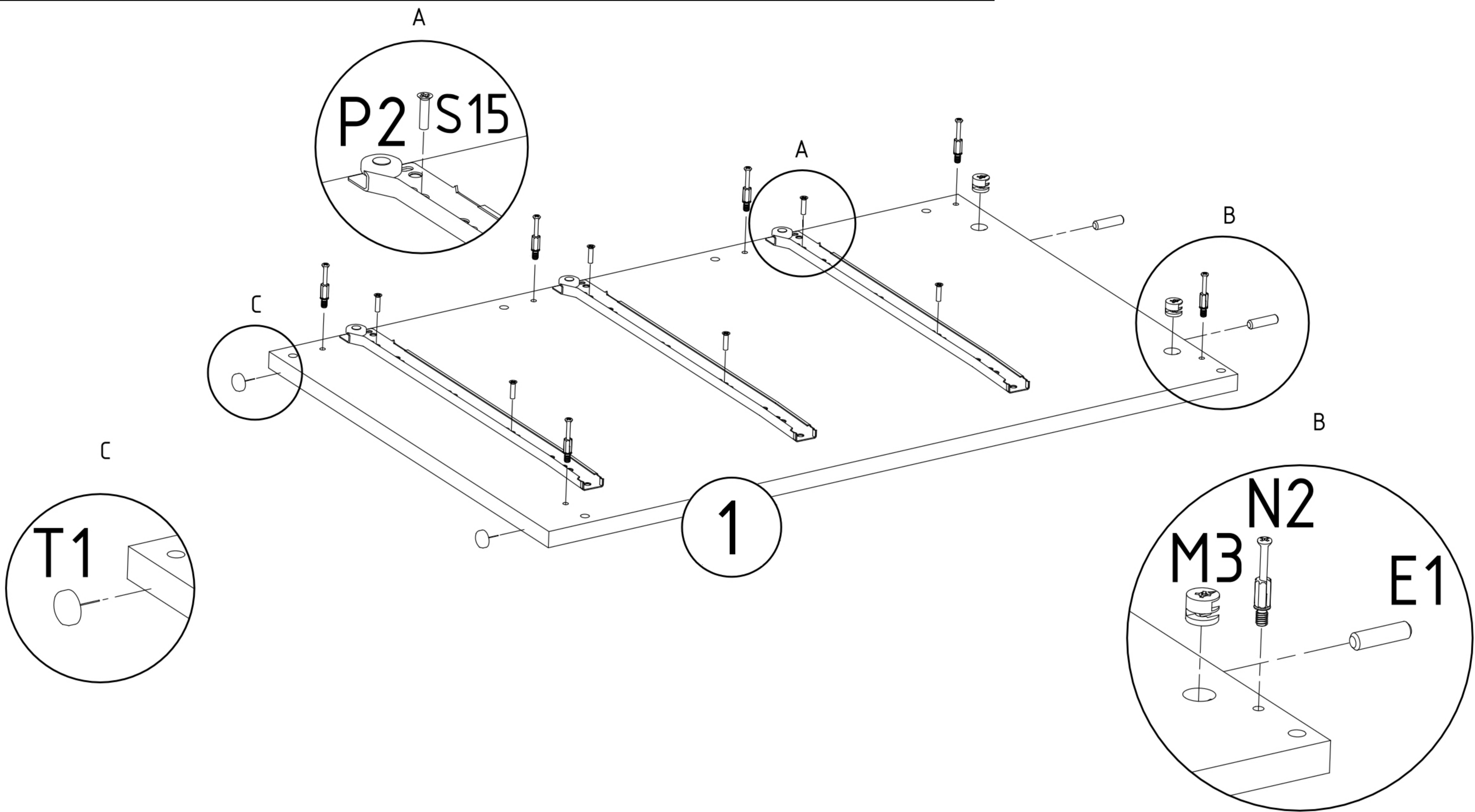
N2  L=20,3 x22	M3  x22	E4  x12	S1  3,5x16 x16	E1  8x30 x31	K1  x1	 GLUE x1	
T1  x6	Z2  x45	P3  L=300 x1	P2  L=400 x3	M2  x6	F2  x4	S15  6x8 x16	F1  x2

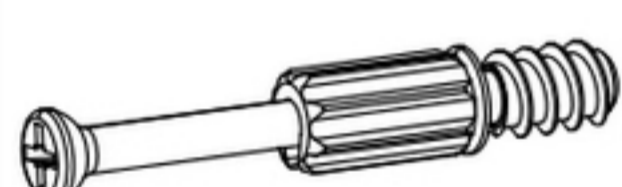
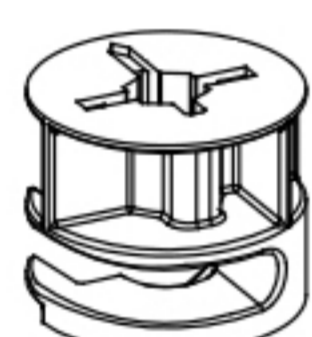
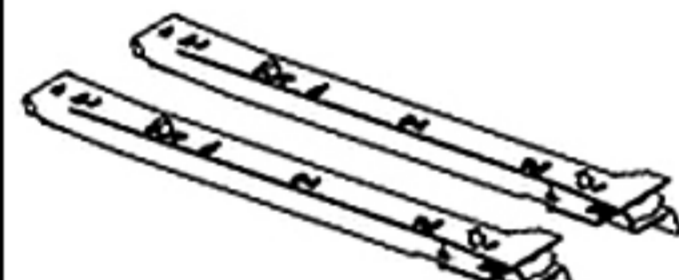





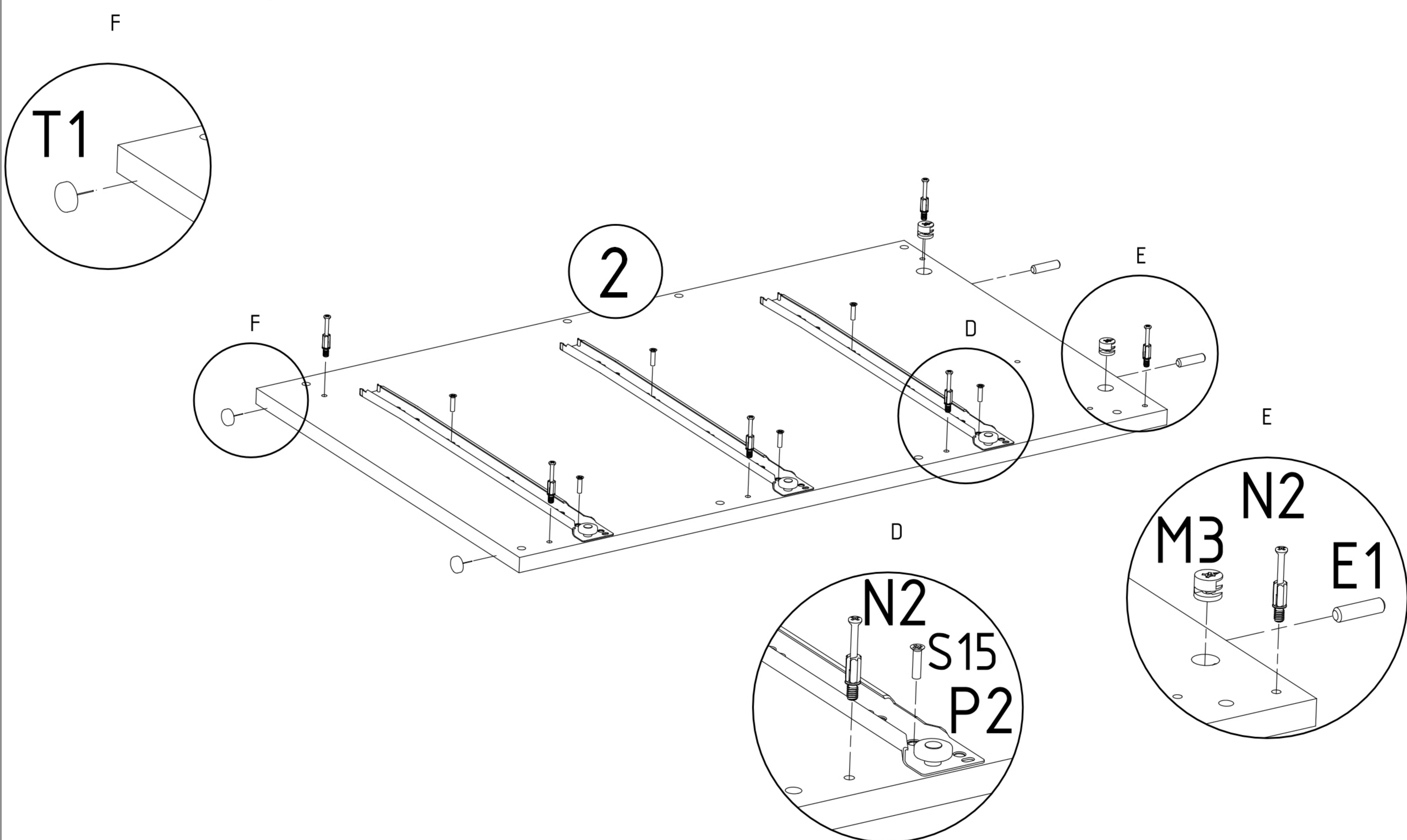
1	x	1
2	x	1
3	x	6
4	x	1
5	x	1
6	x	1
7	x	1

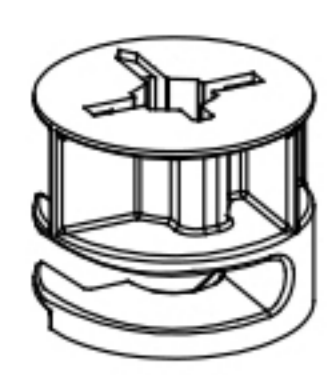
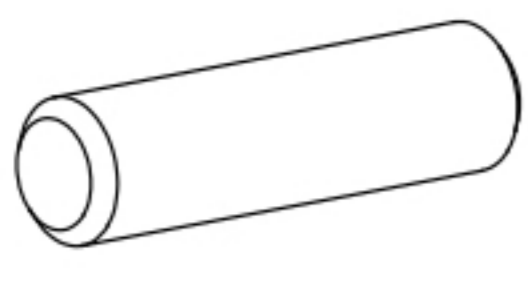
8	x	3
9	x	6
10	x	3
11	x	3
12	x	1

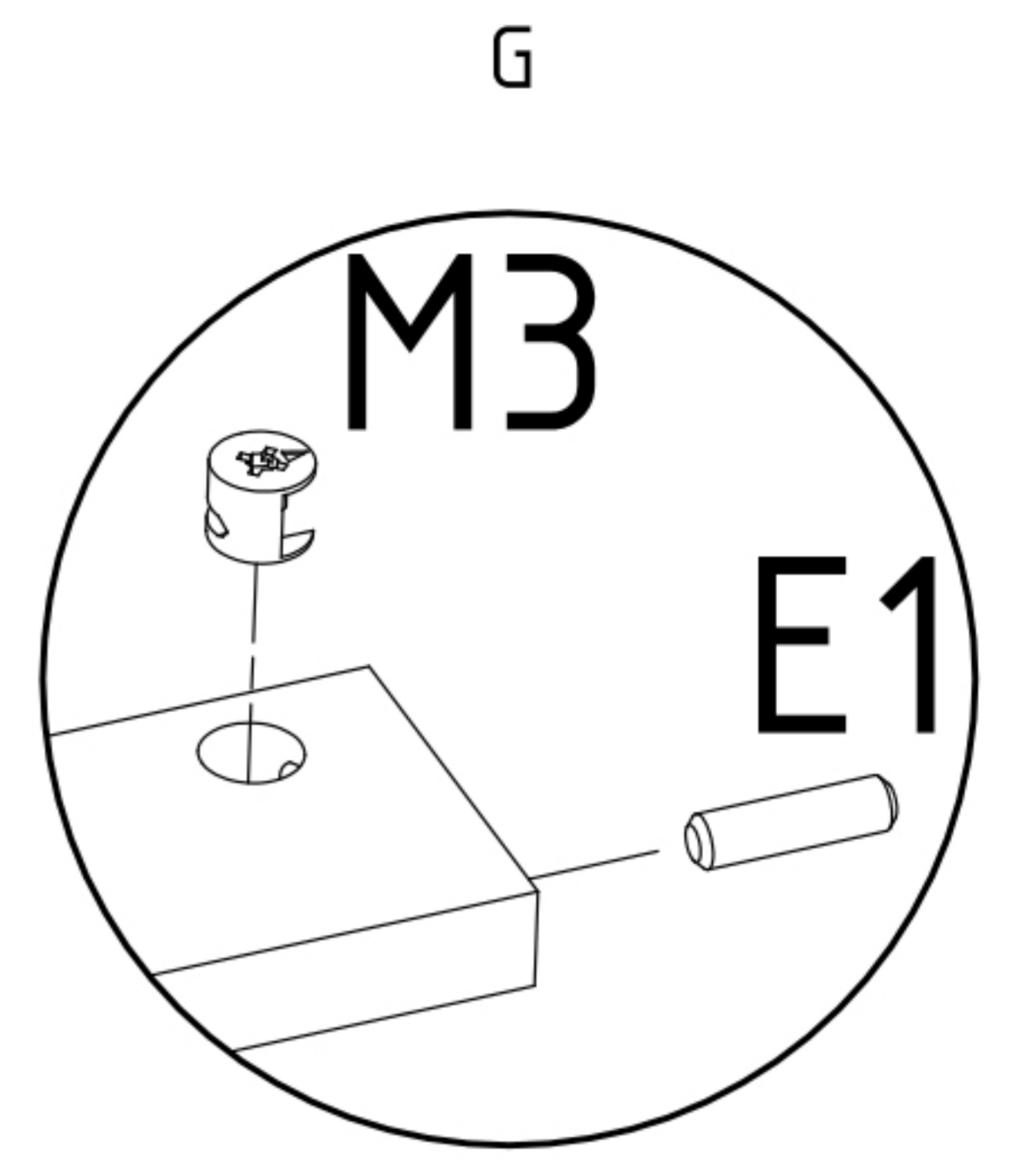
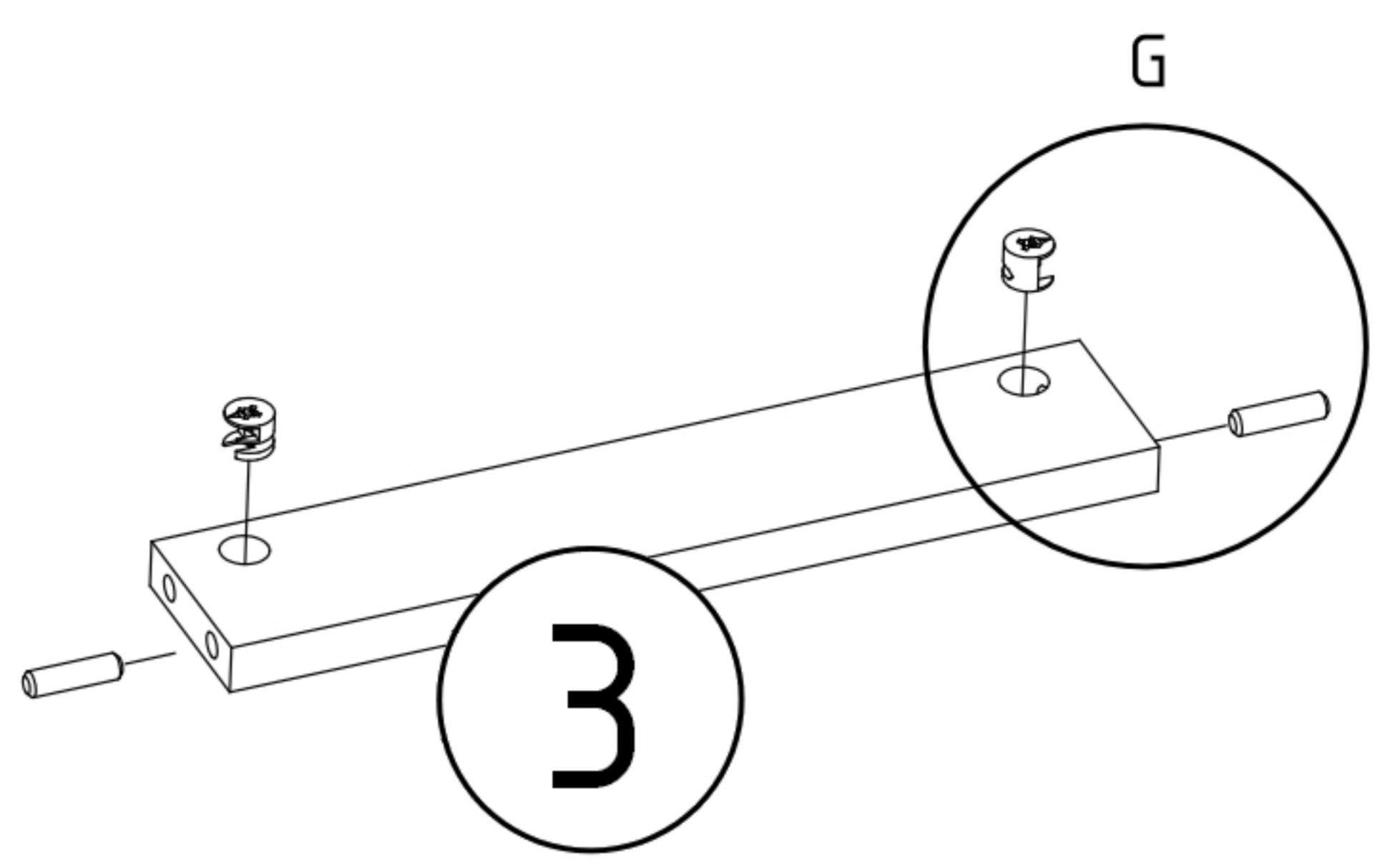
N2  L=20,3 x6	M3  x2	P2  L=400 x3	S15  6x8 x6	E1  8x30 x2	T1  x2
--	--	--	---	--	--



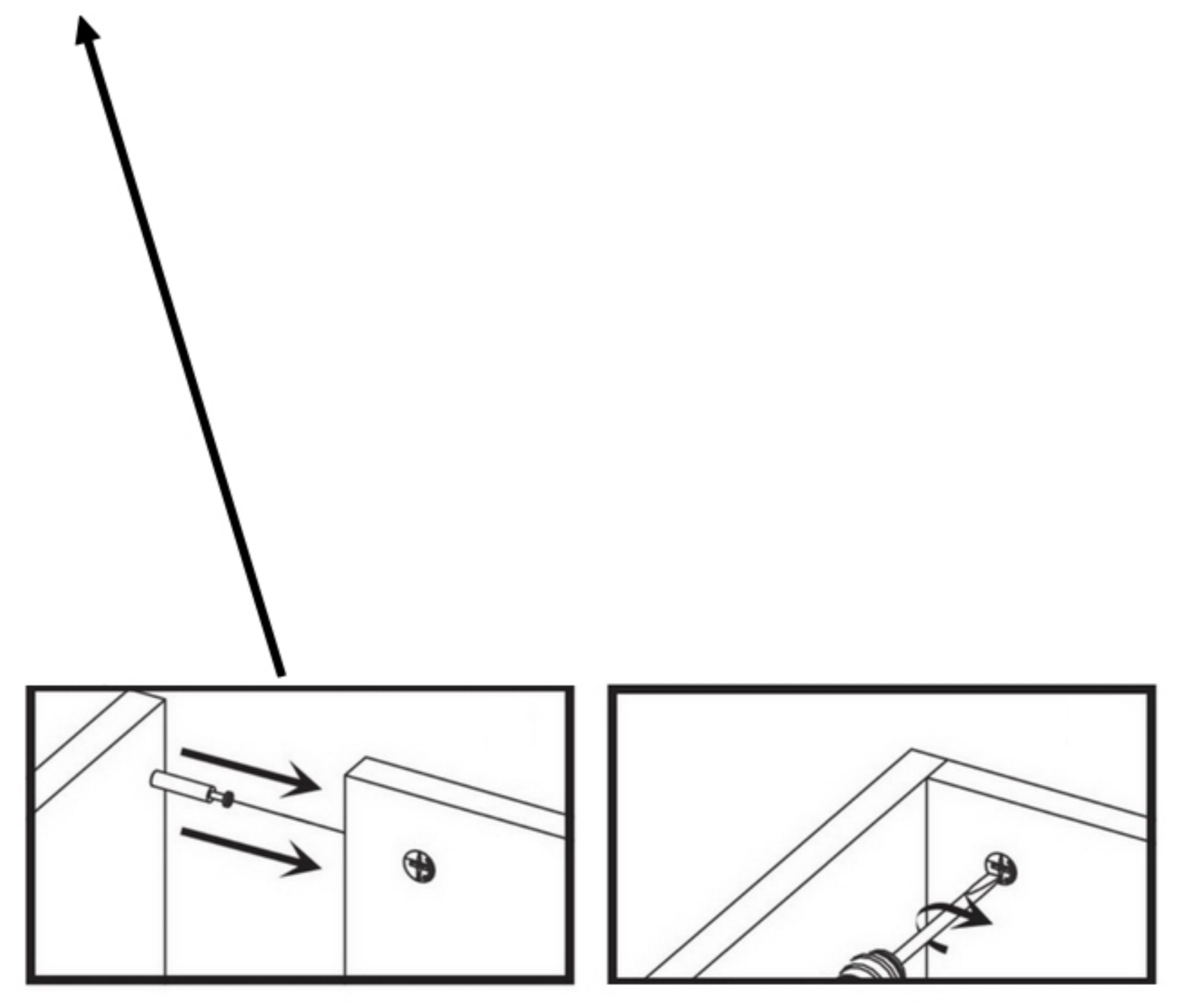
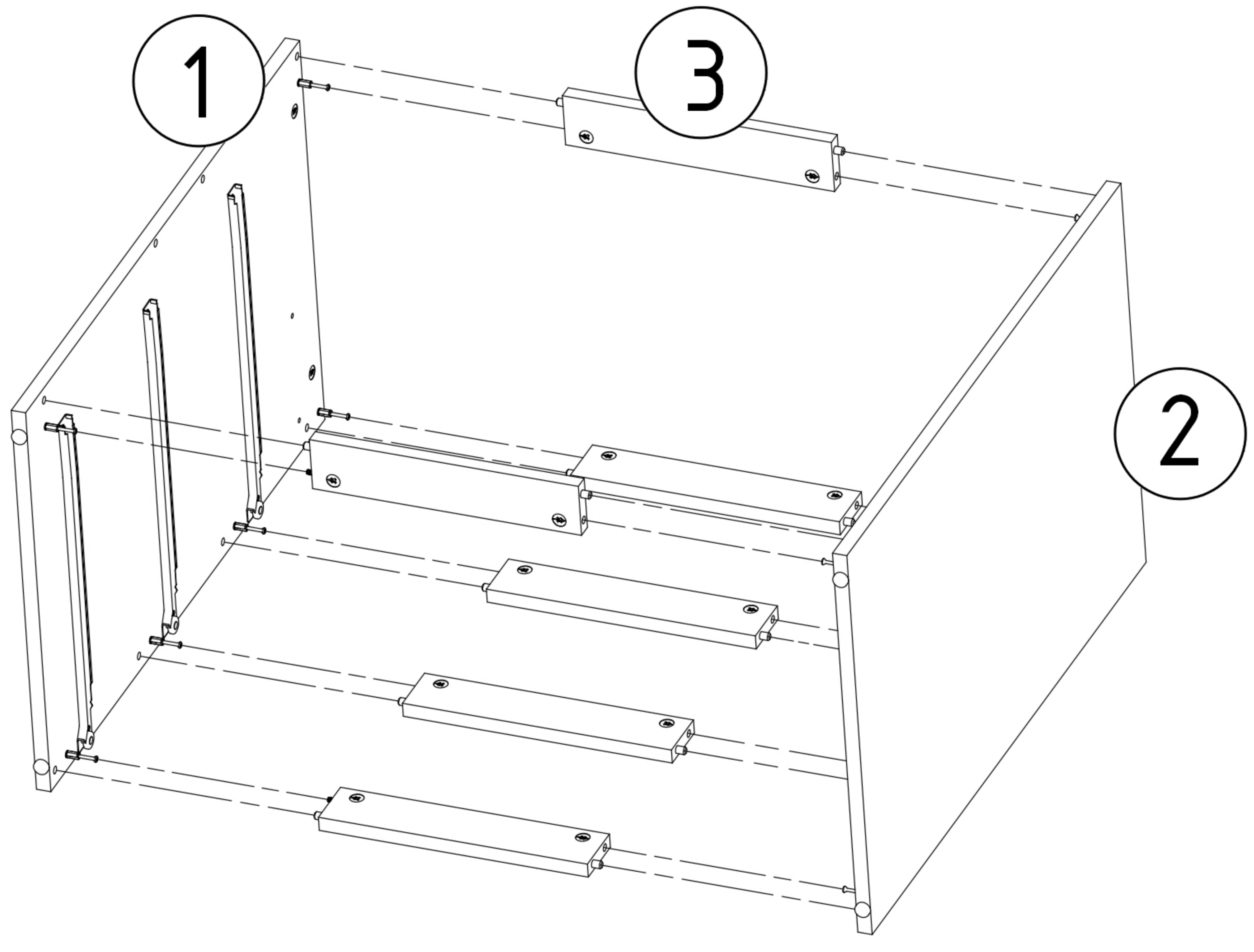
N2  L=20,3 x6	M3  x2	P2  L=400 x3	S15  6x8 x6	E1  8x30 x2	T1  x2
--	--	--	---	--	--






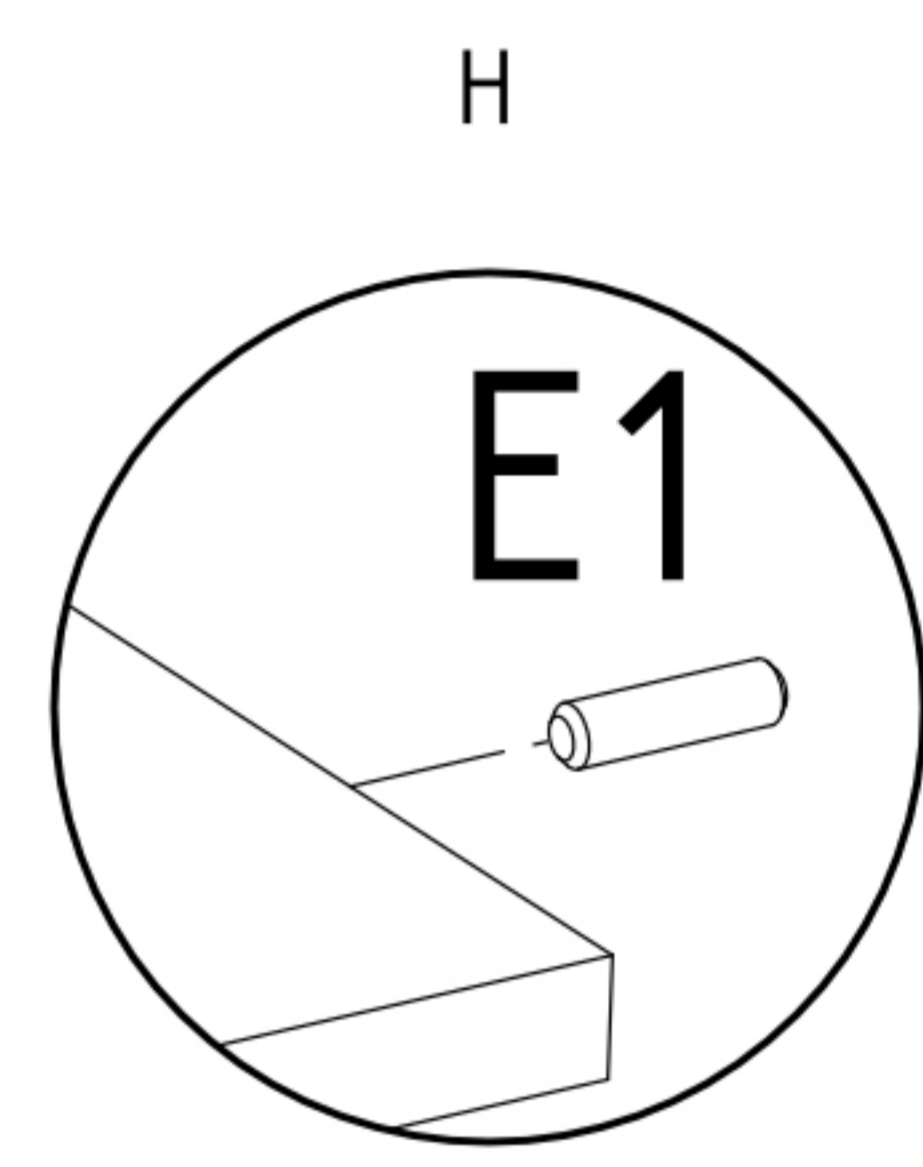
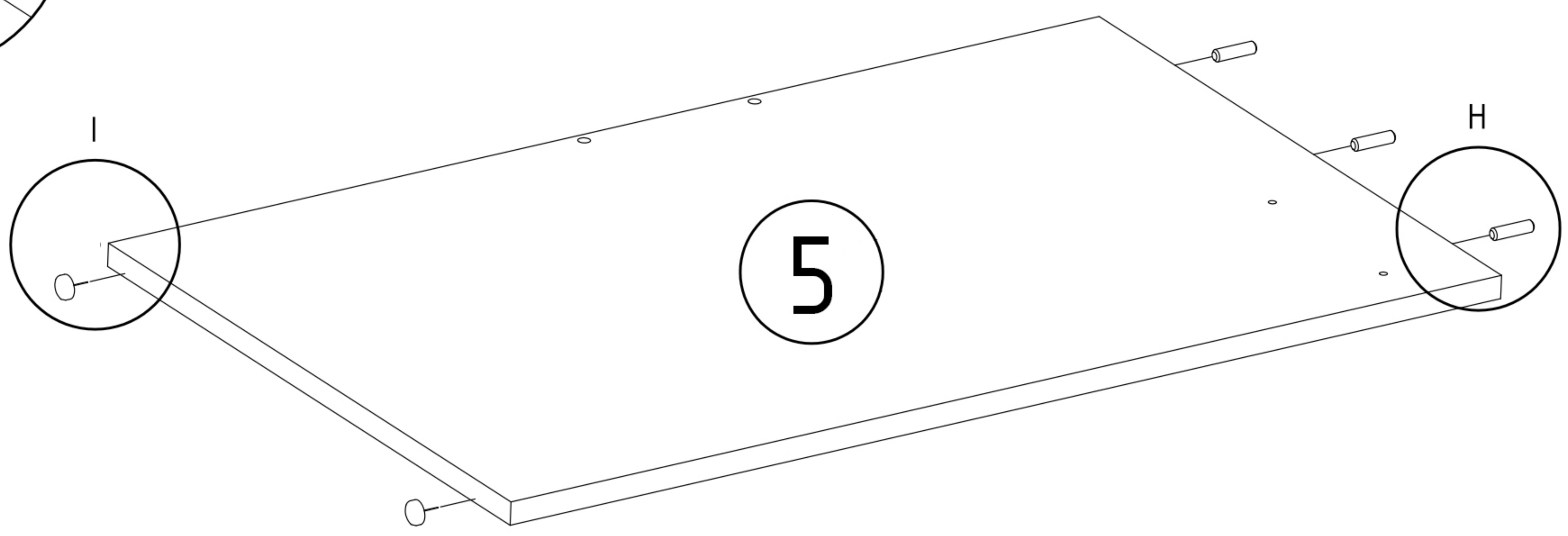
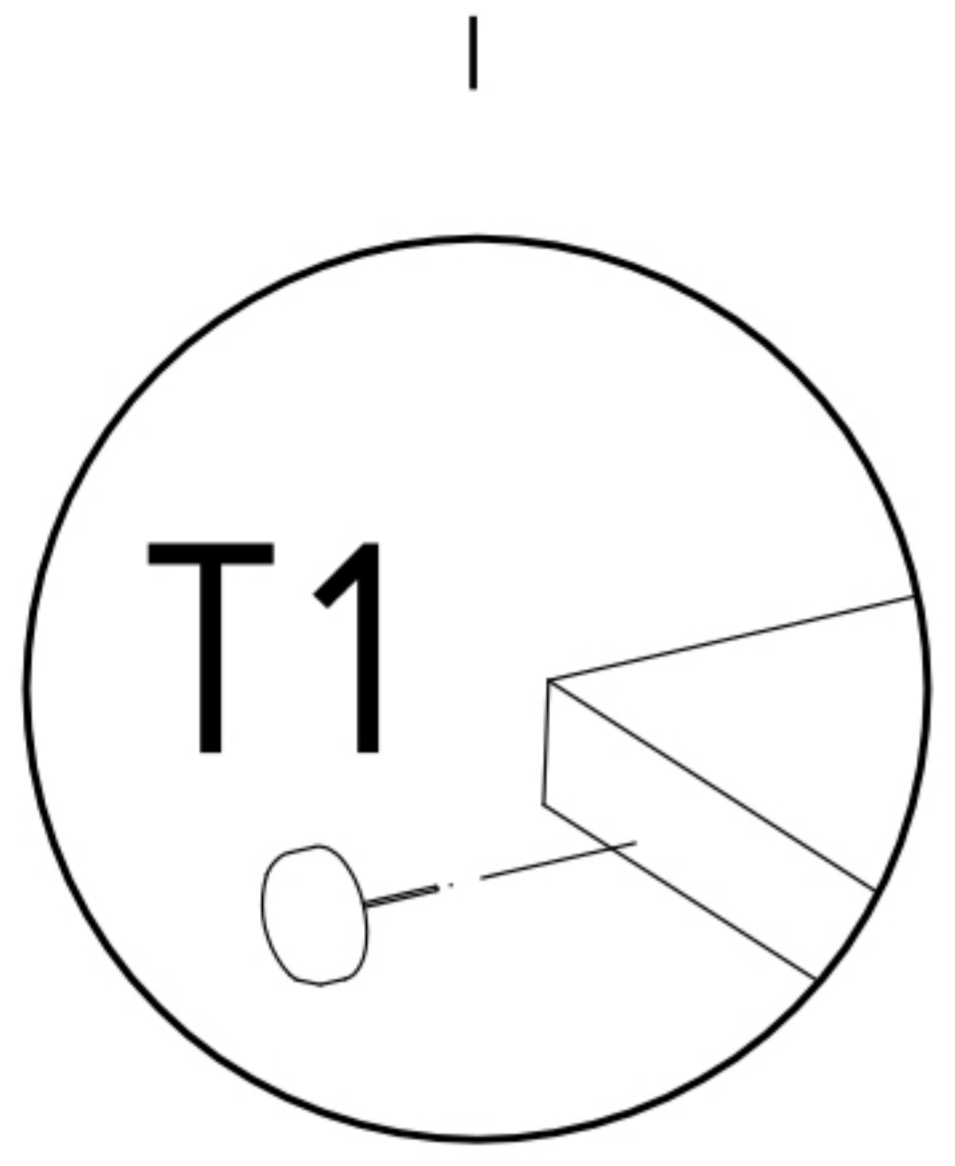
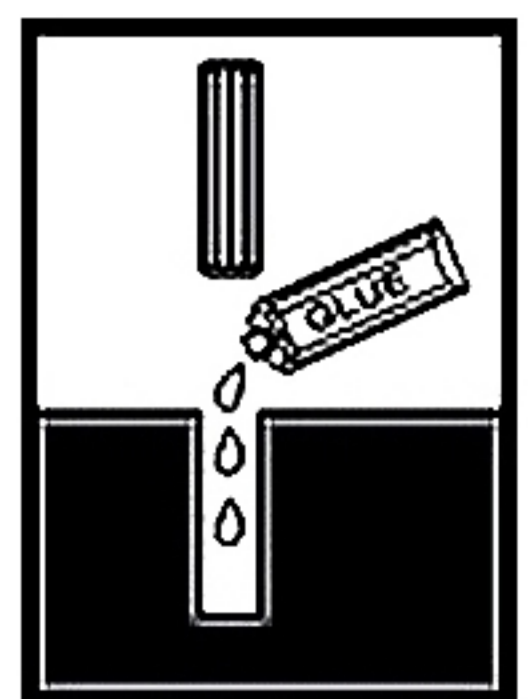
M3  x12	E1  8x30 x12
--	--

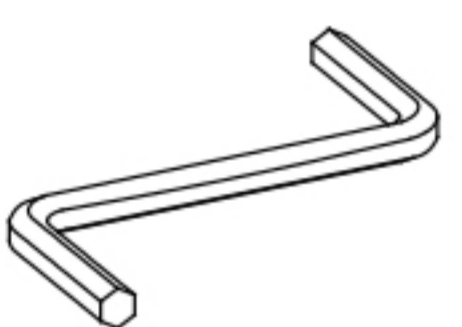
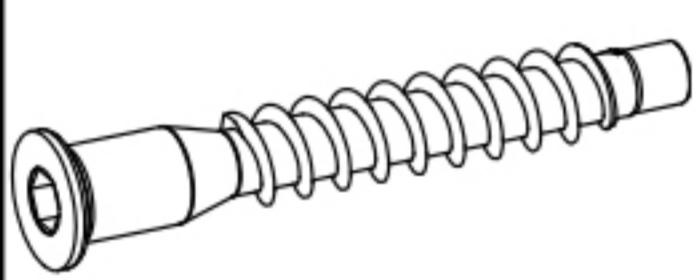


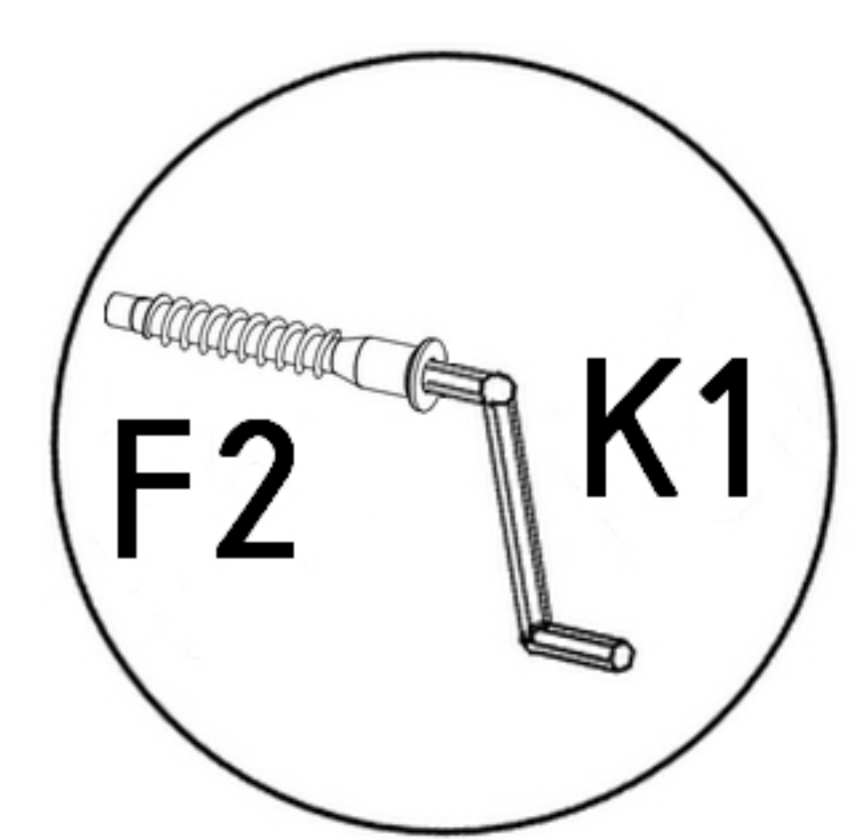
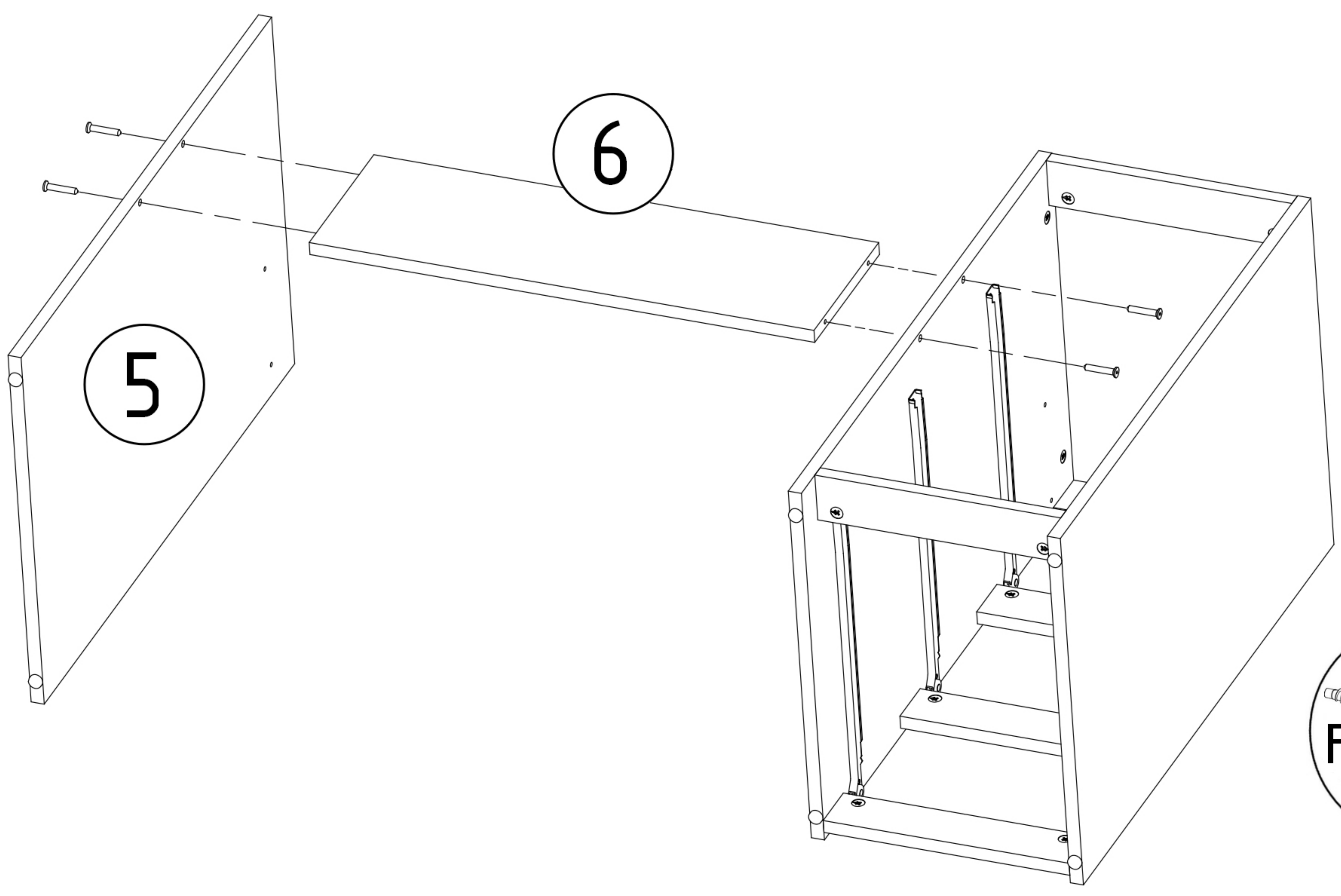
x6

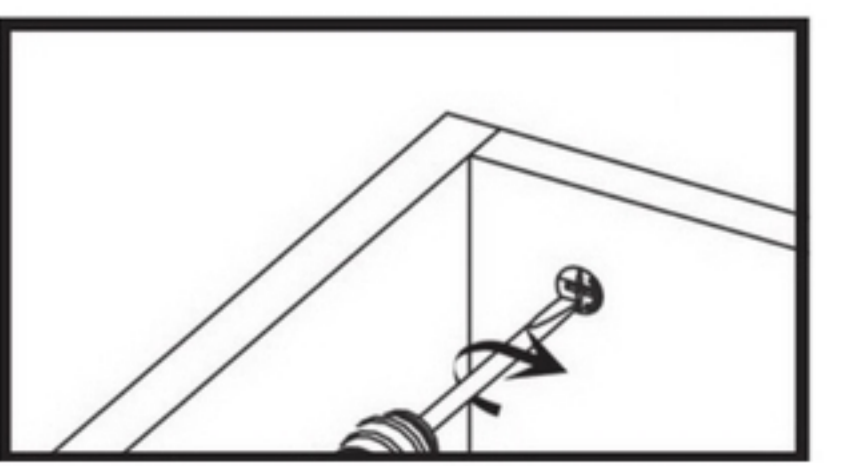
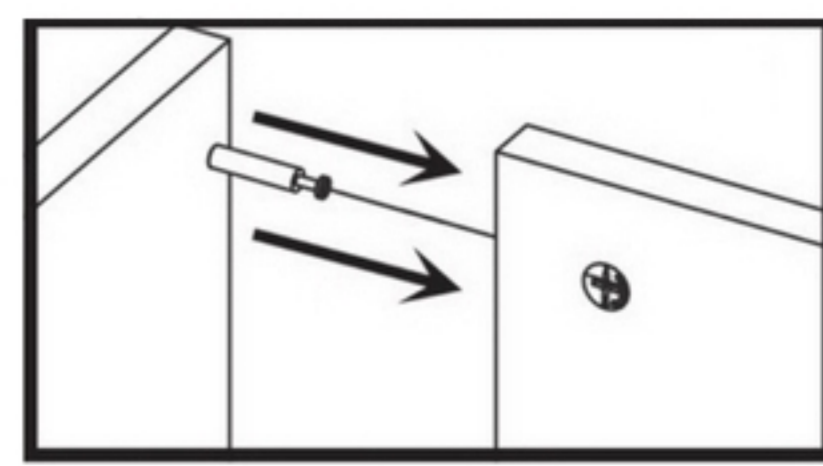
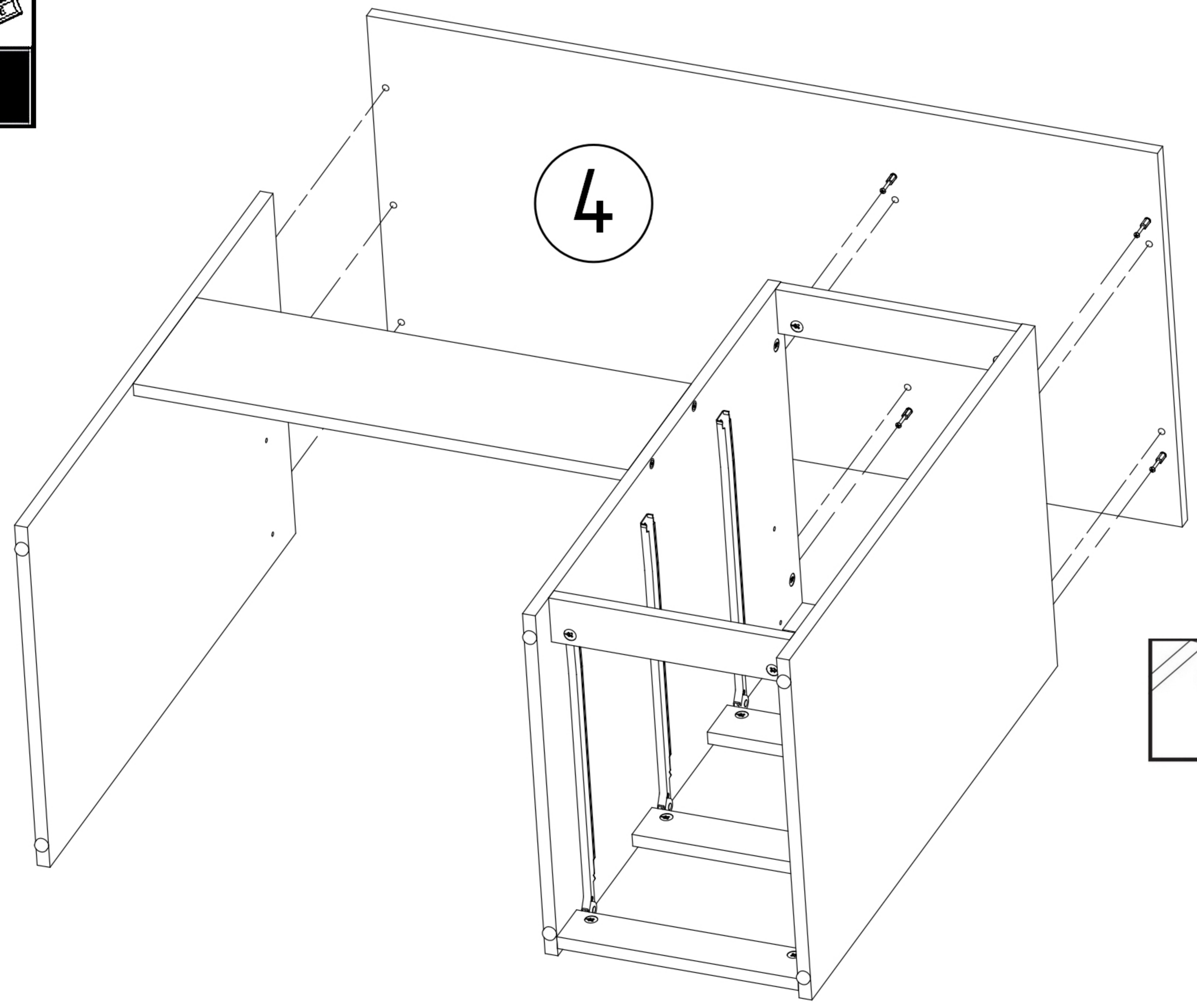
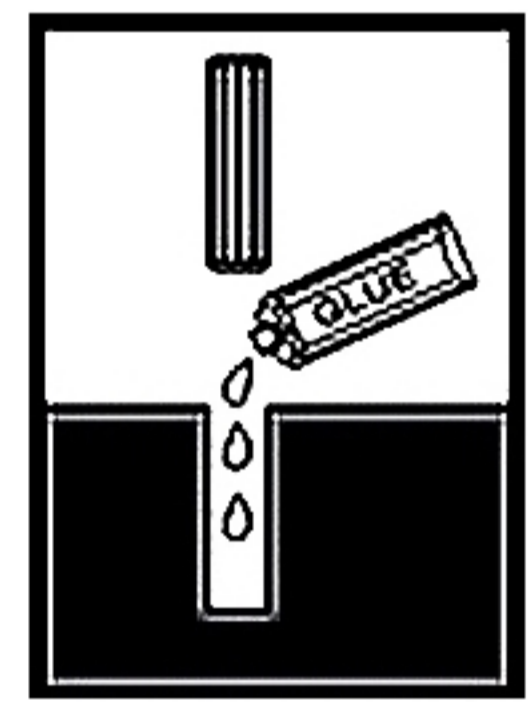
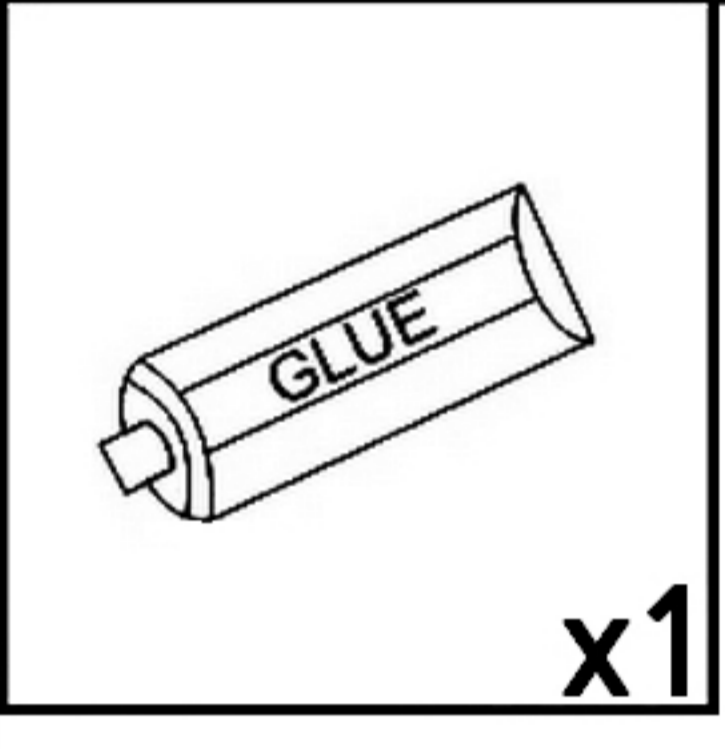
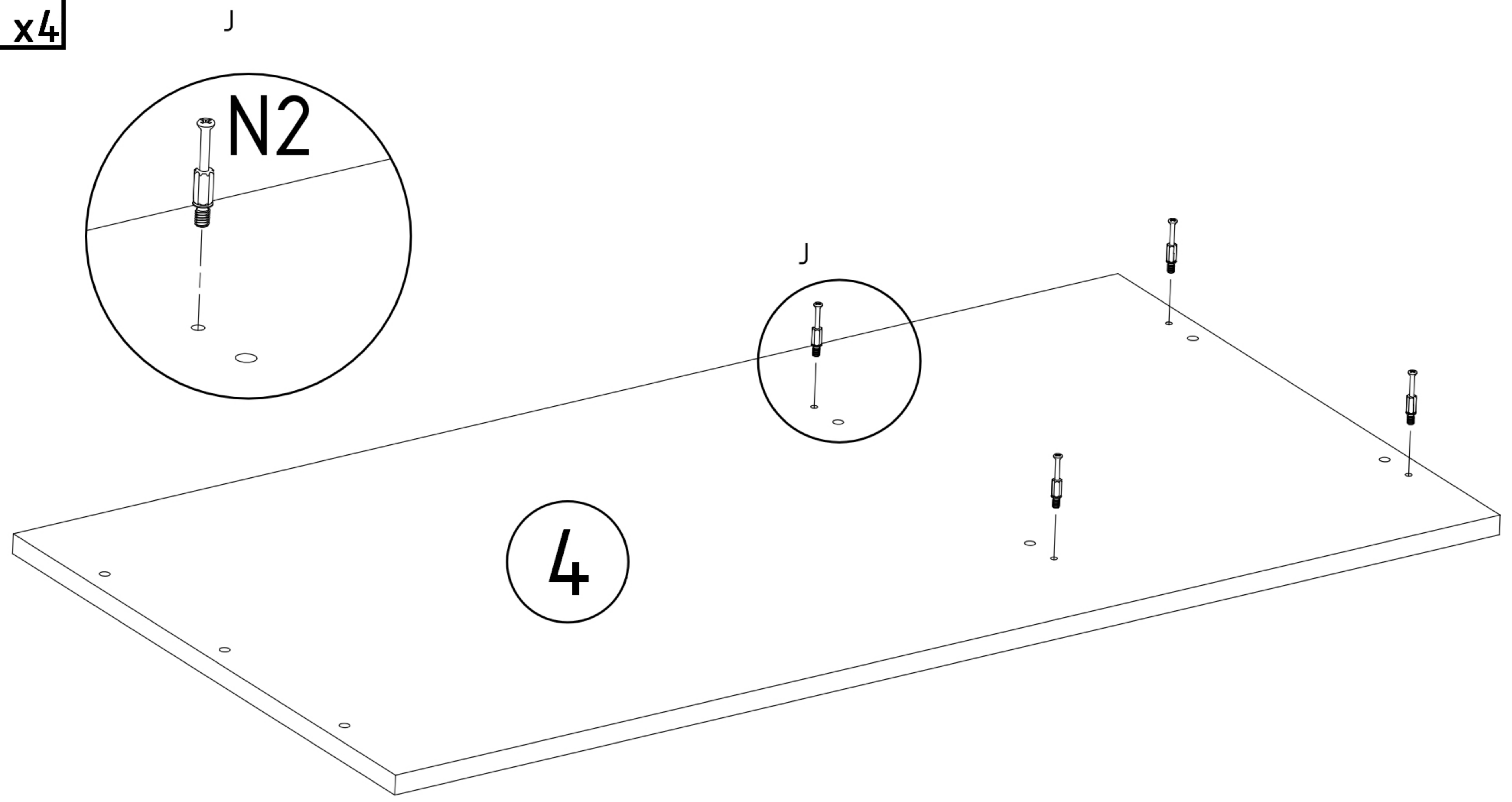
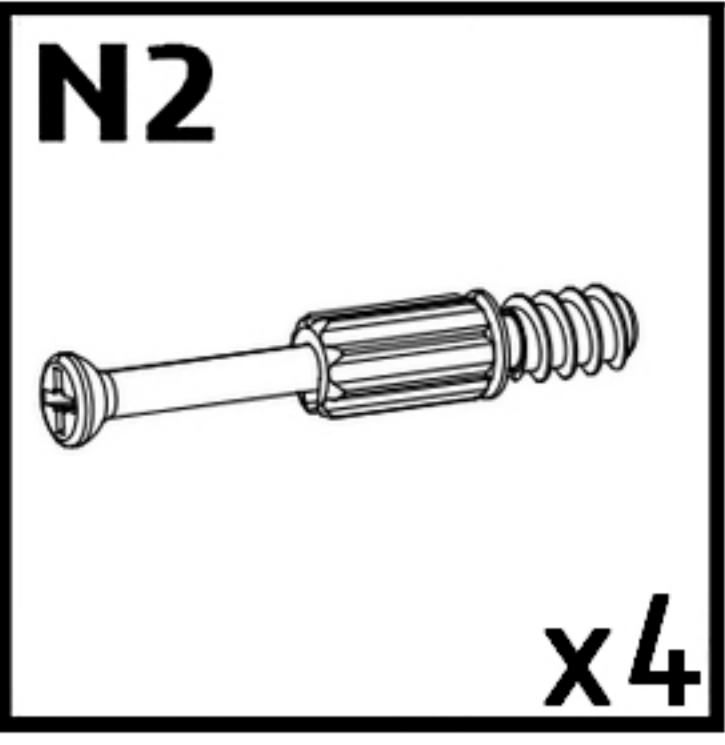


T1  x2	 x1	E1  8x30 x3
---	---	--

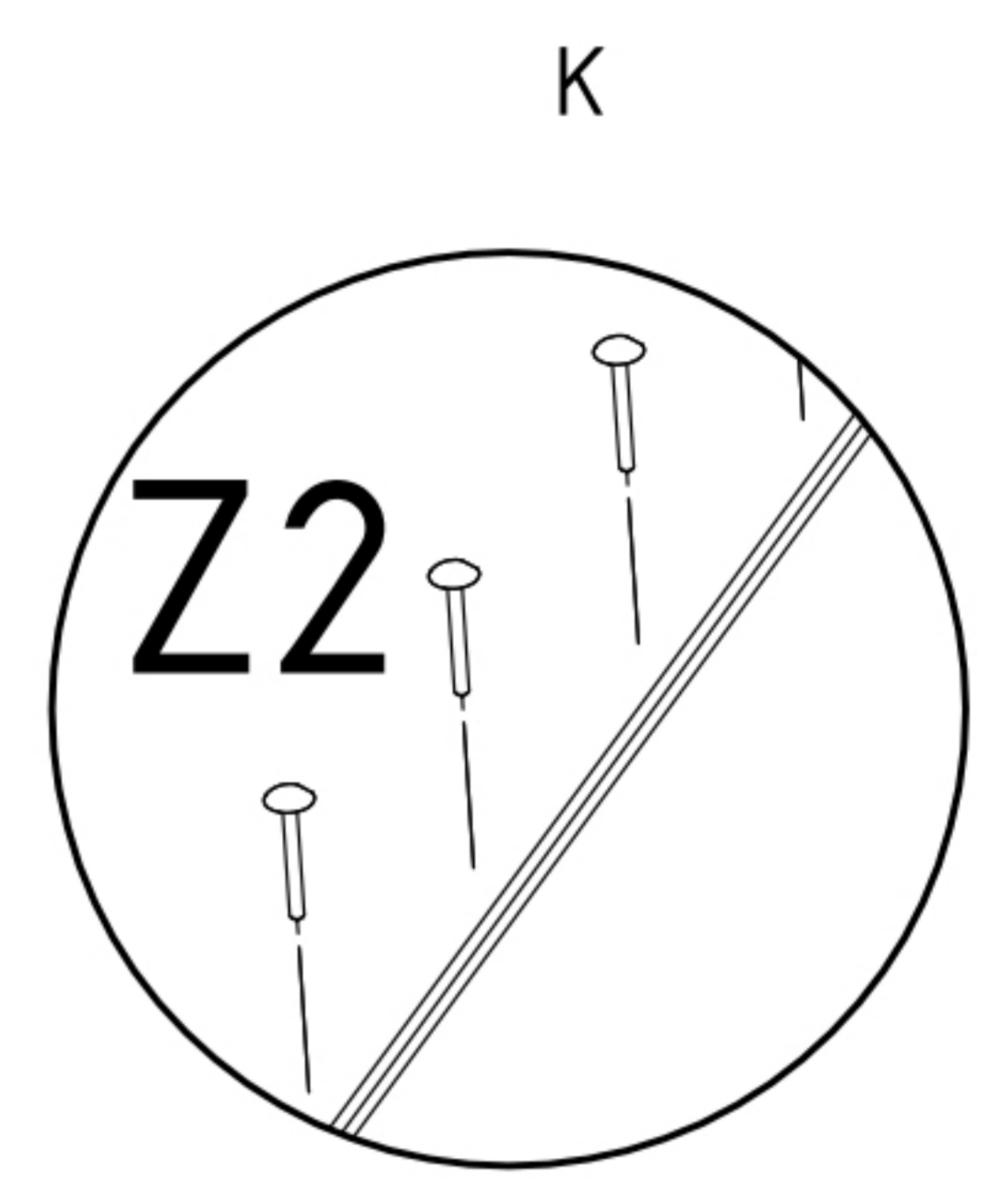
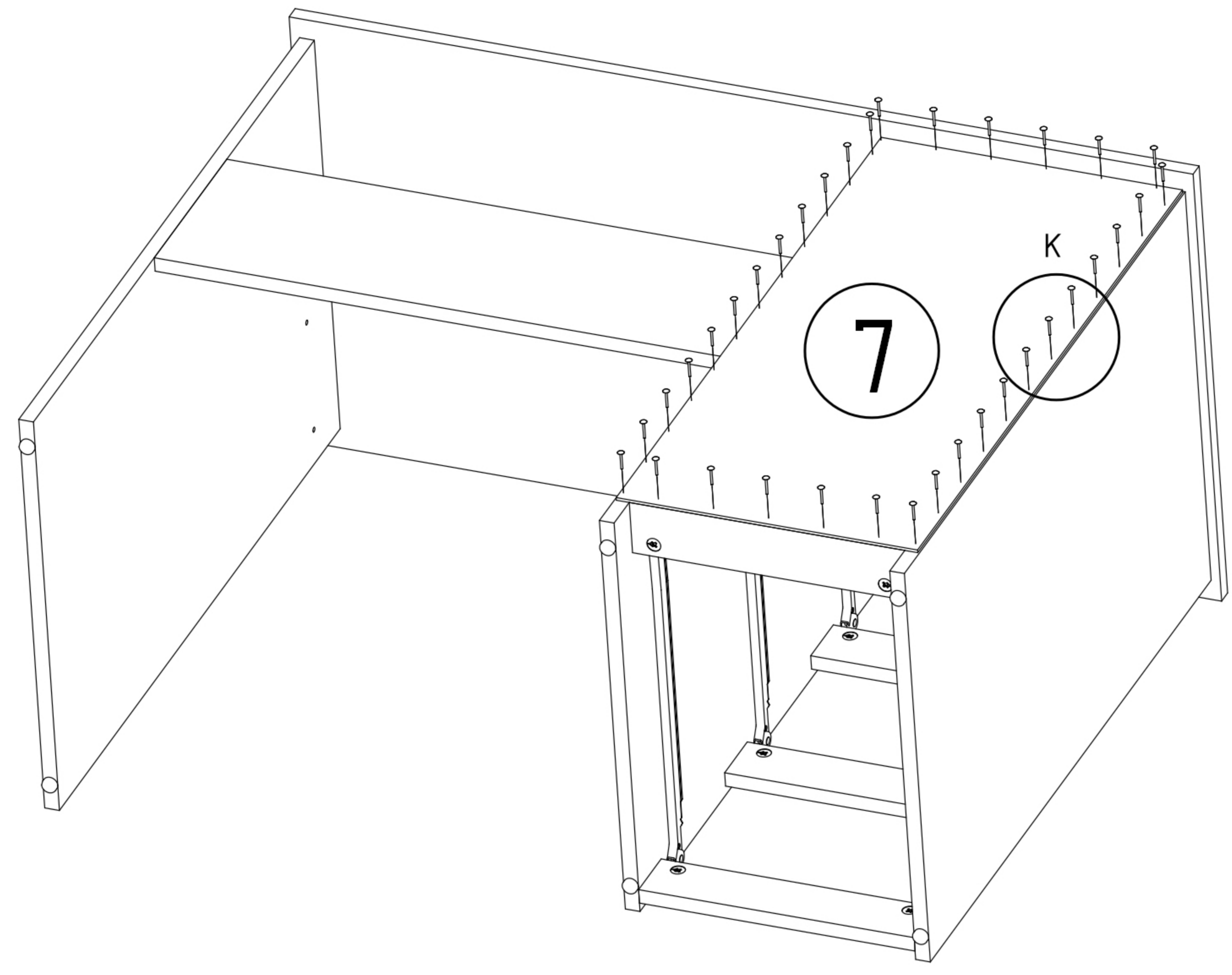
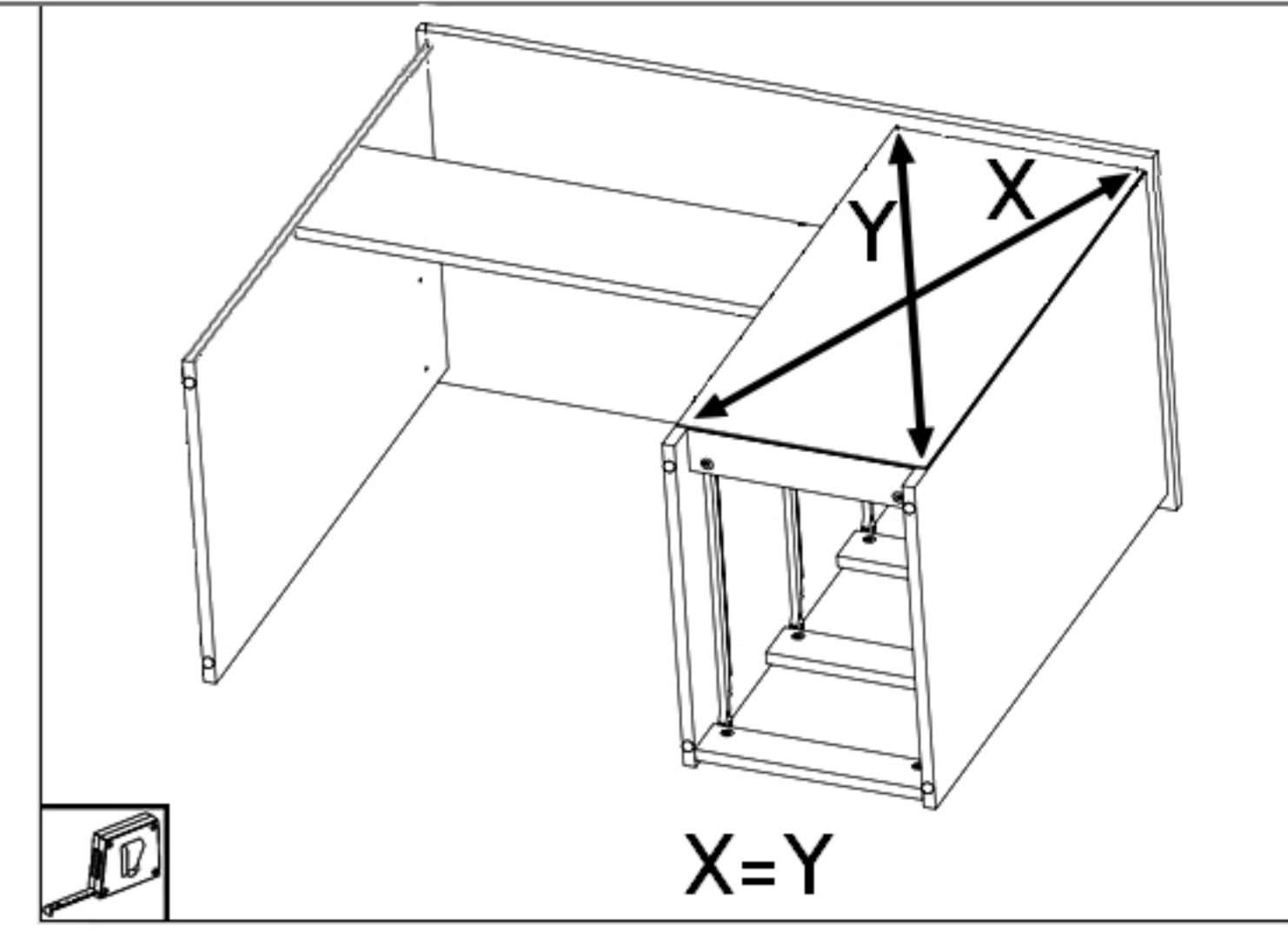



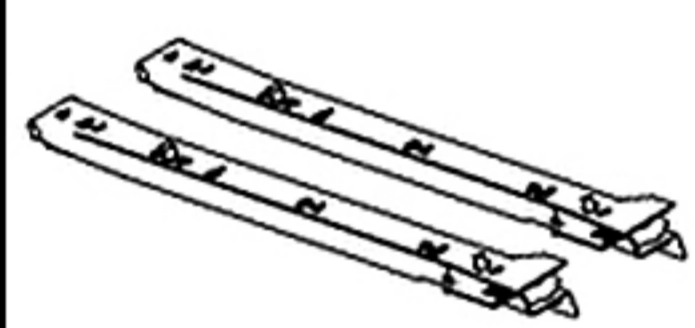

K1  x1	F2  x4
---	--

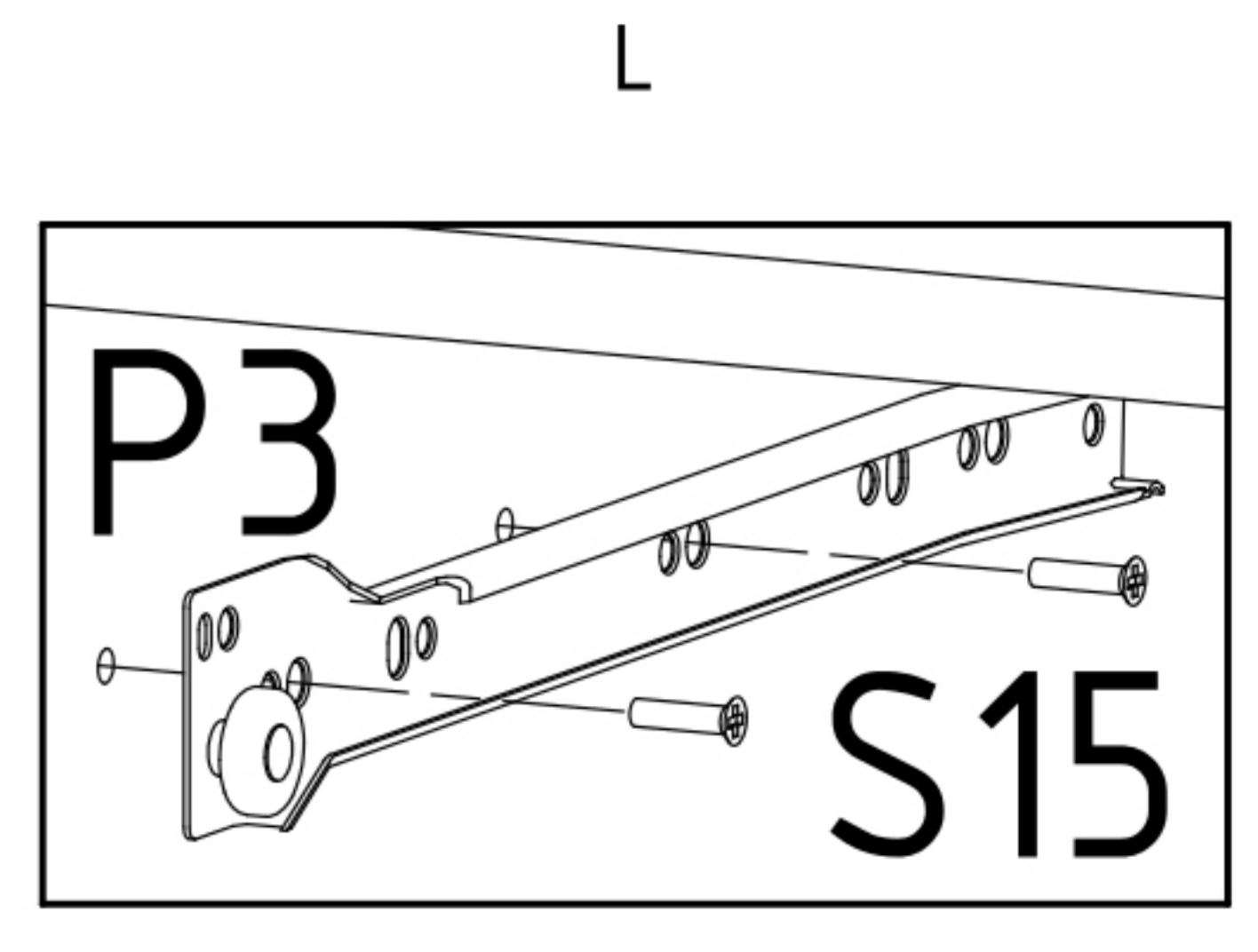
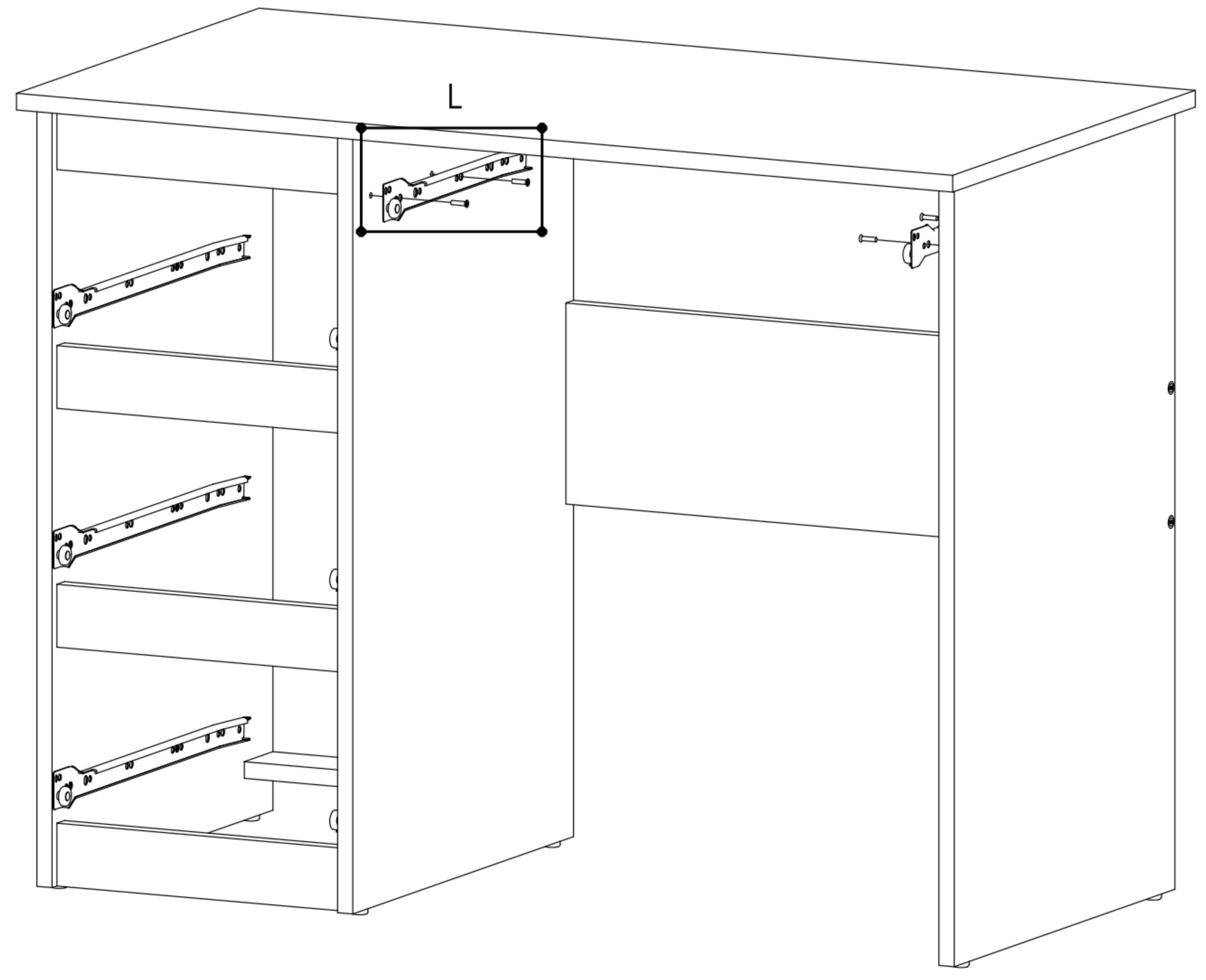
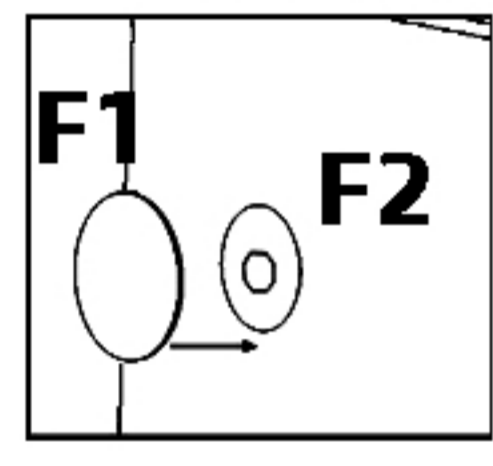


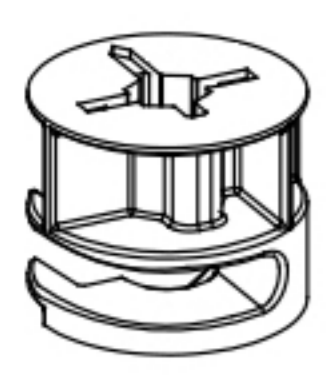
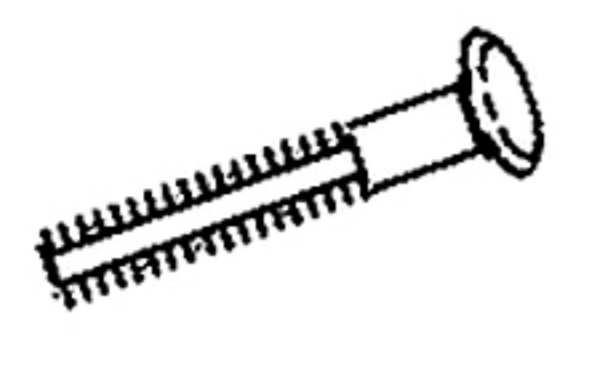
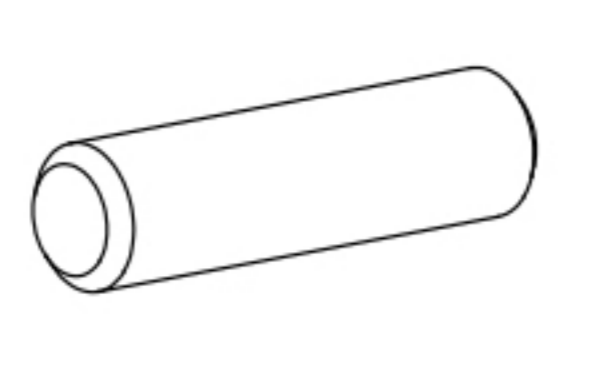


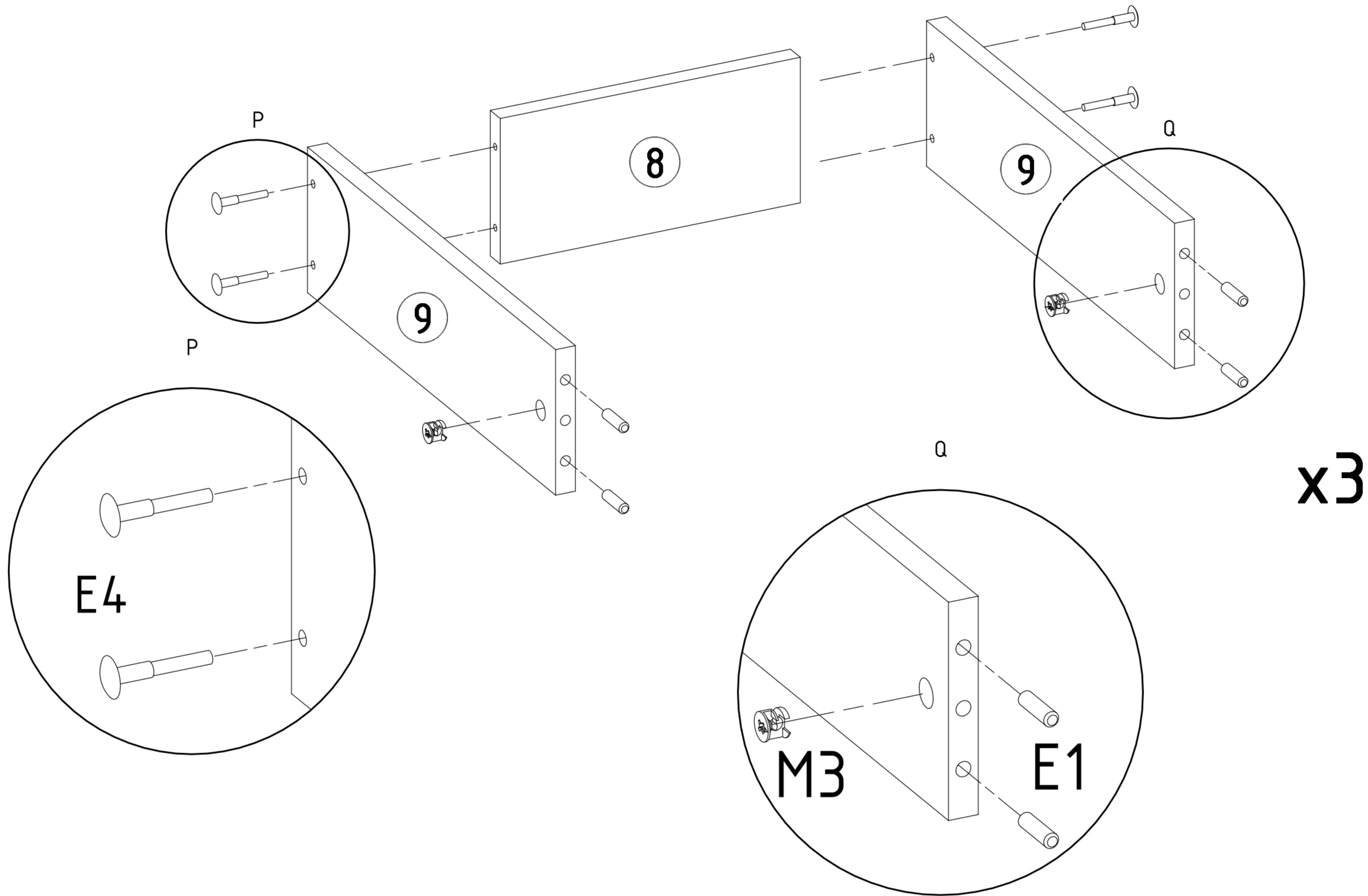
Z2
x30

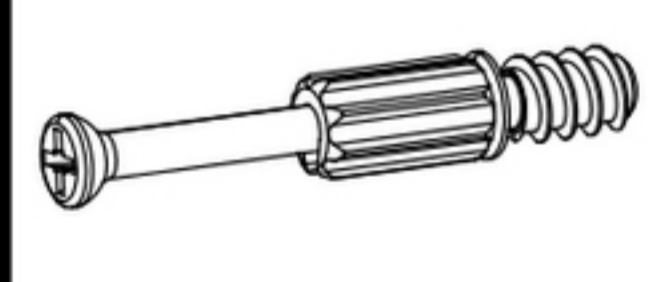


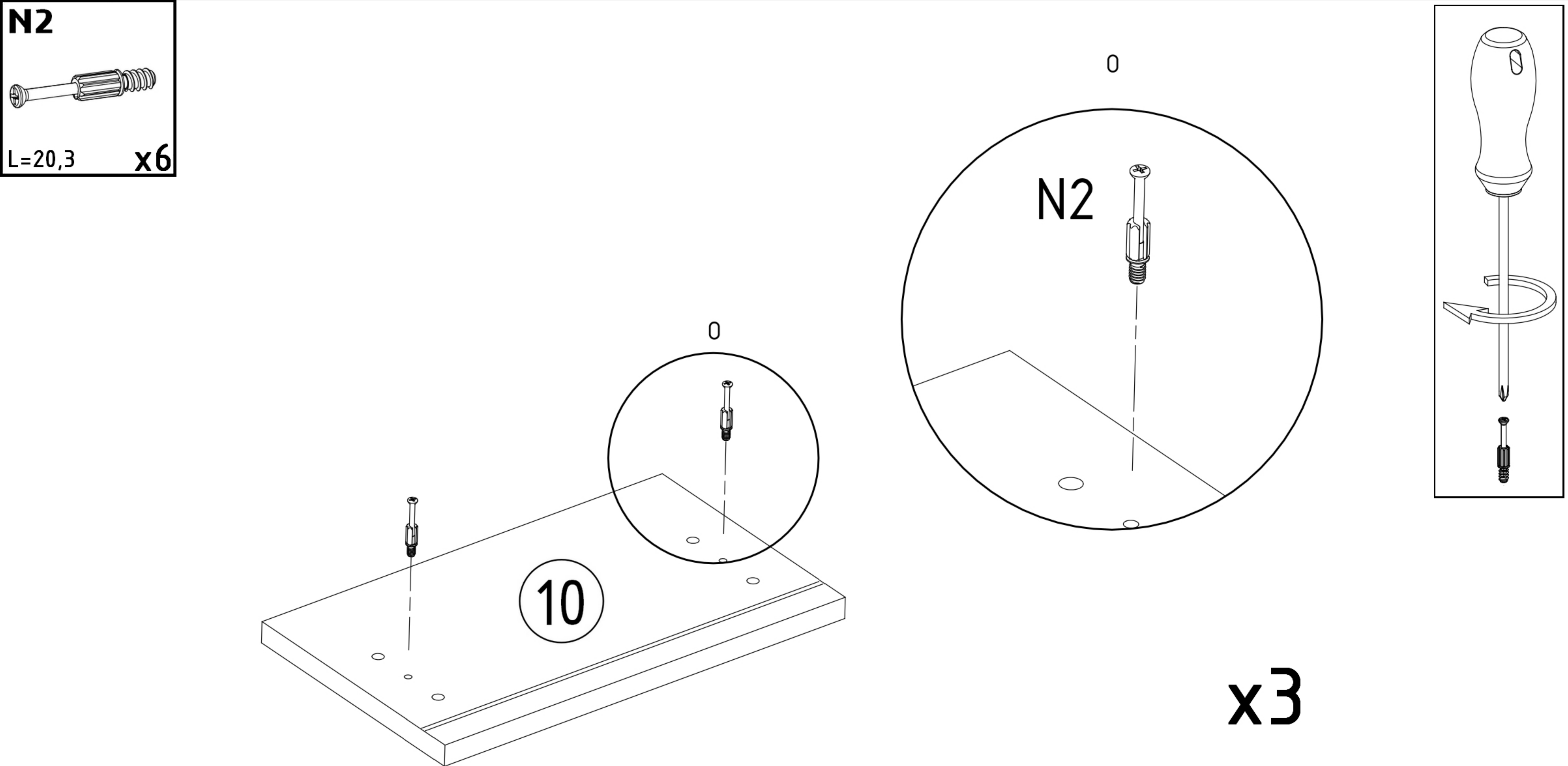
F1  x2	P3  L=300 x1	S15  6x8 x4
--	---	--



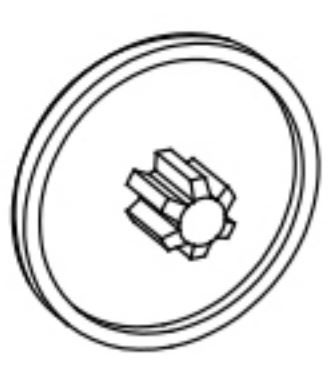
<p>M3</p>  <p>x6</p>	<p>E4</p>  <p>x12</p>	<p>E1</p>  <p>8x30 x12</p>
---	---	--



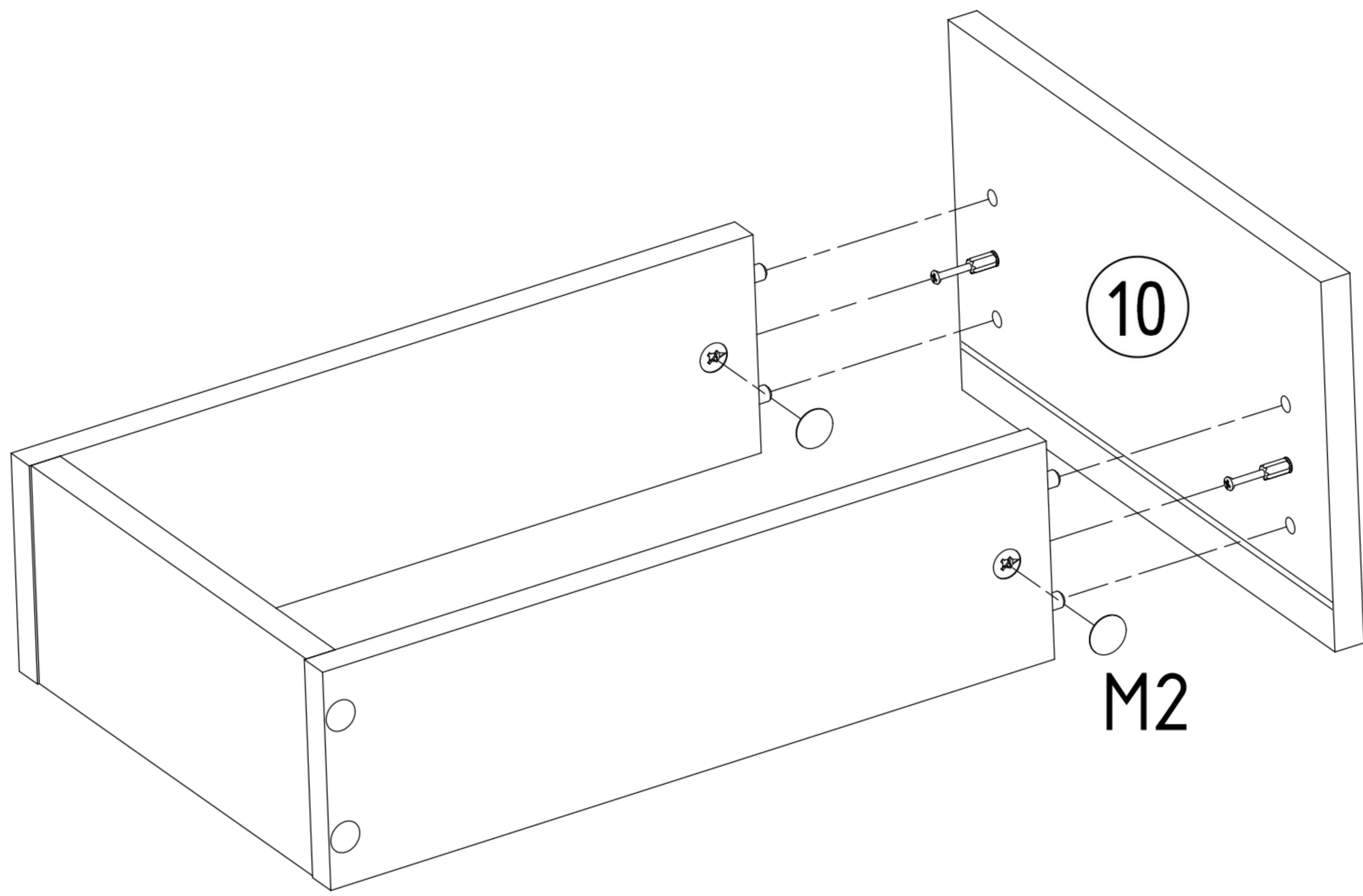
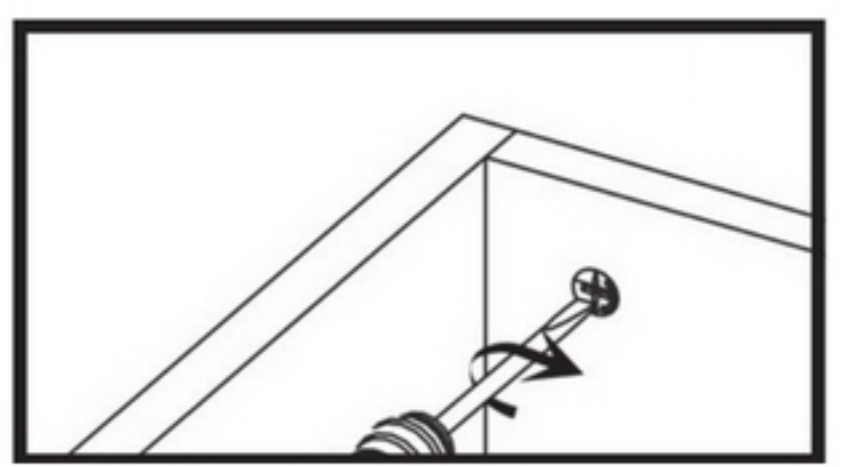
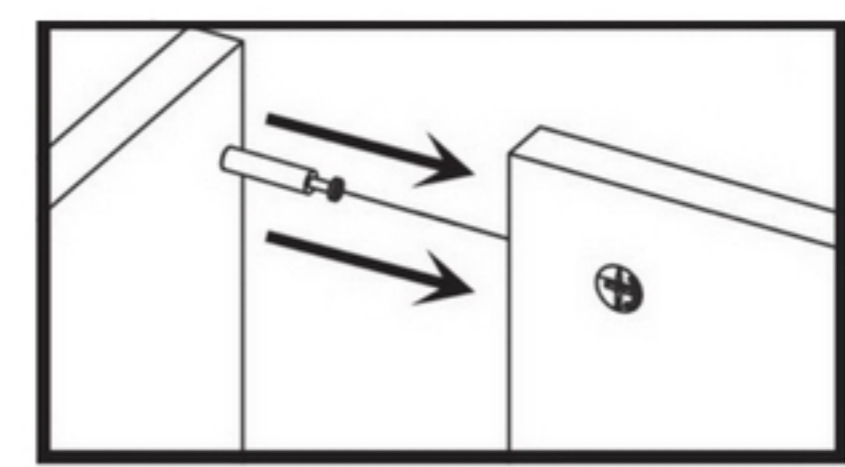
<p>N2</p>  <p>L=20,3 x6</p>
--



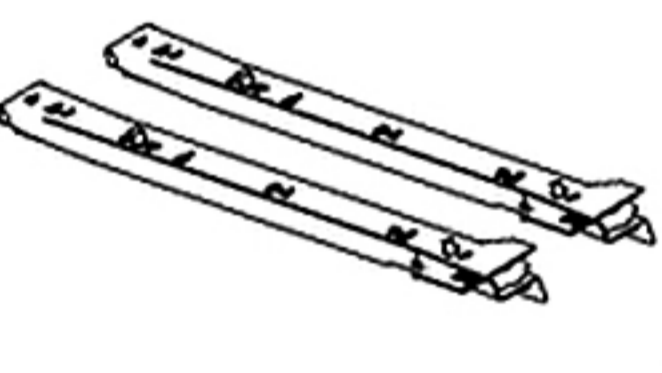


M2

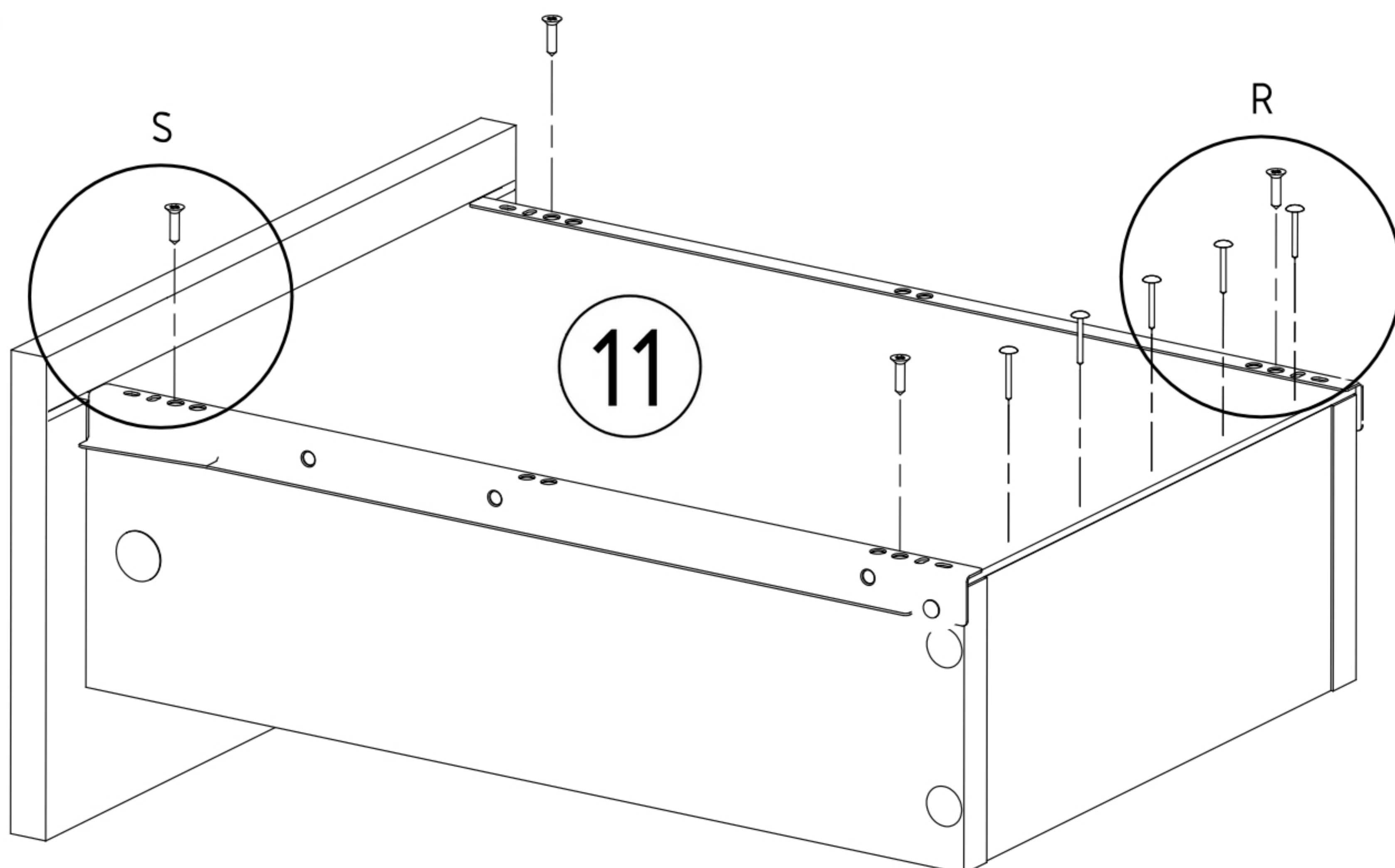
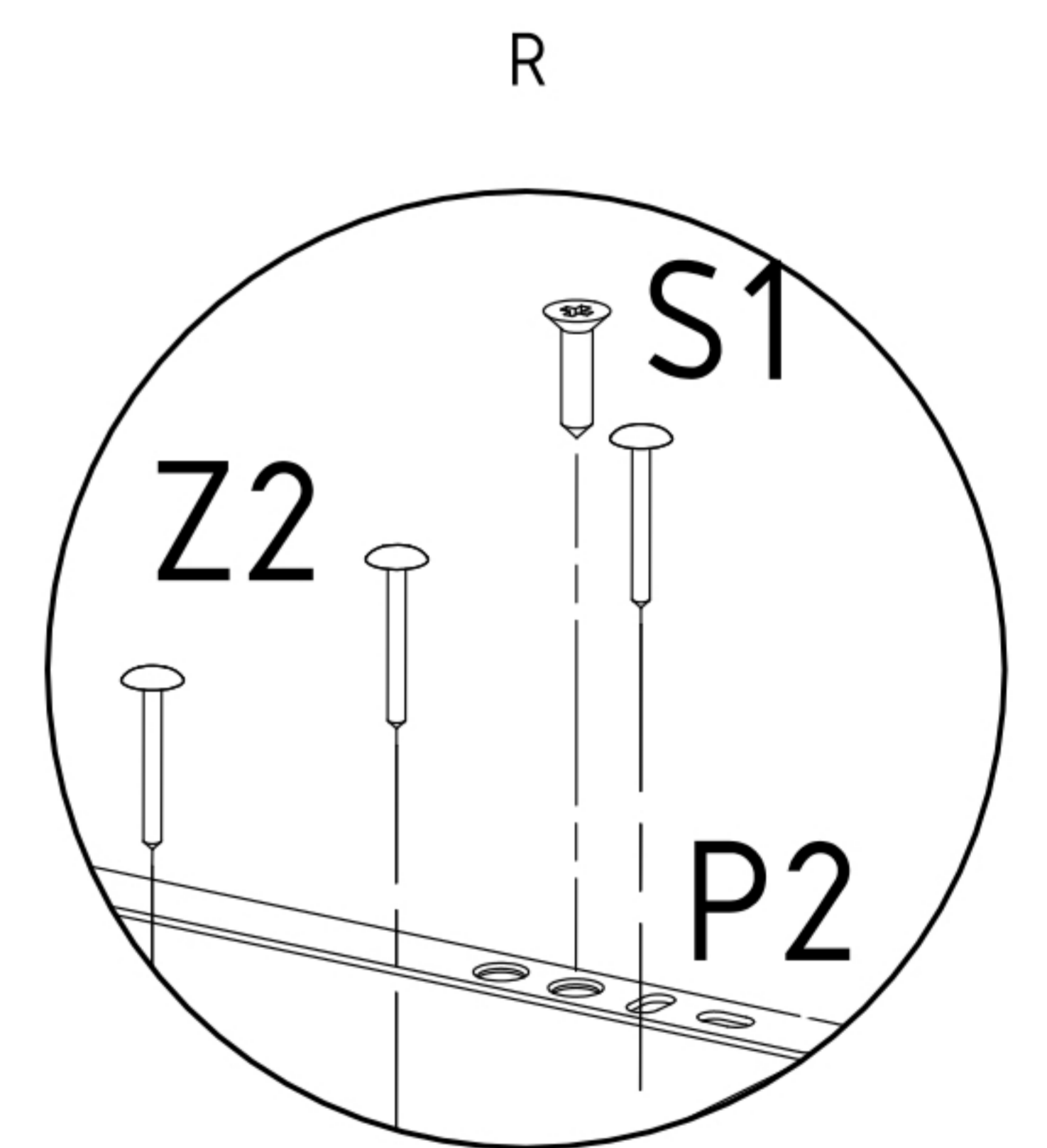
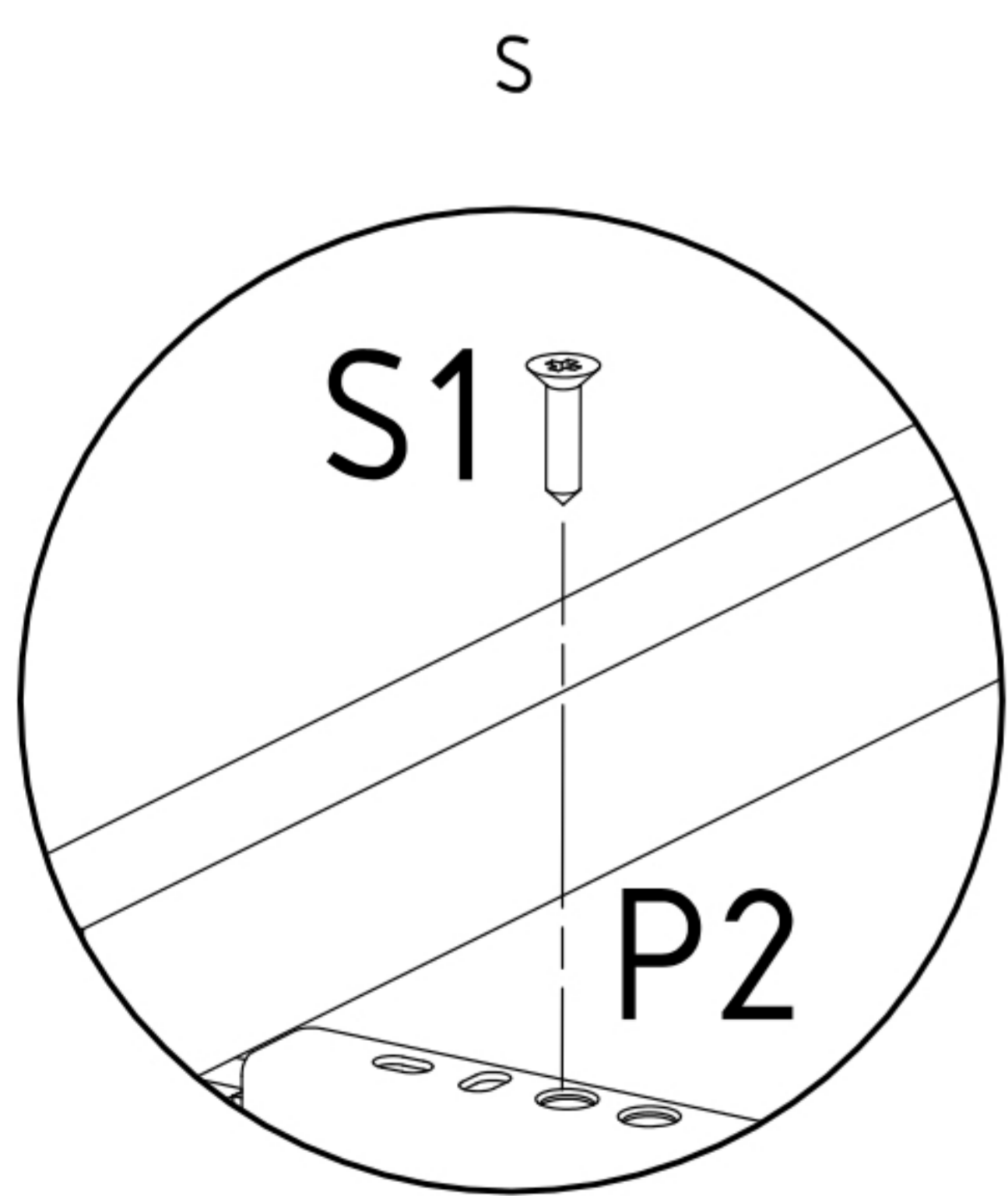


x6


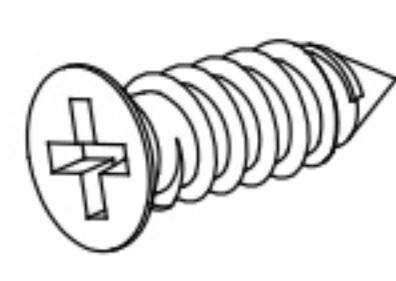


x3

<p>P2</p>  <p>L=400 x3</p>	<p>S1</p>  <p>3,5x16 x12</p>	<p>Z2</p>  <p>x15</p>
--	---	--



x3

P3 	S1 
L=300 x1	3,5x16 x4

