









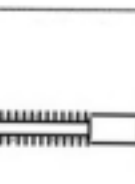
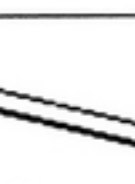
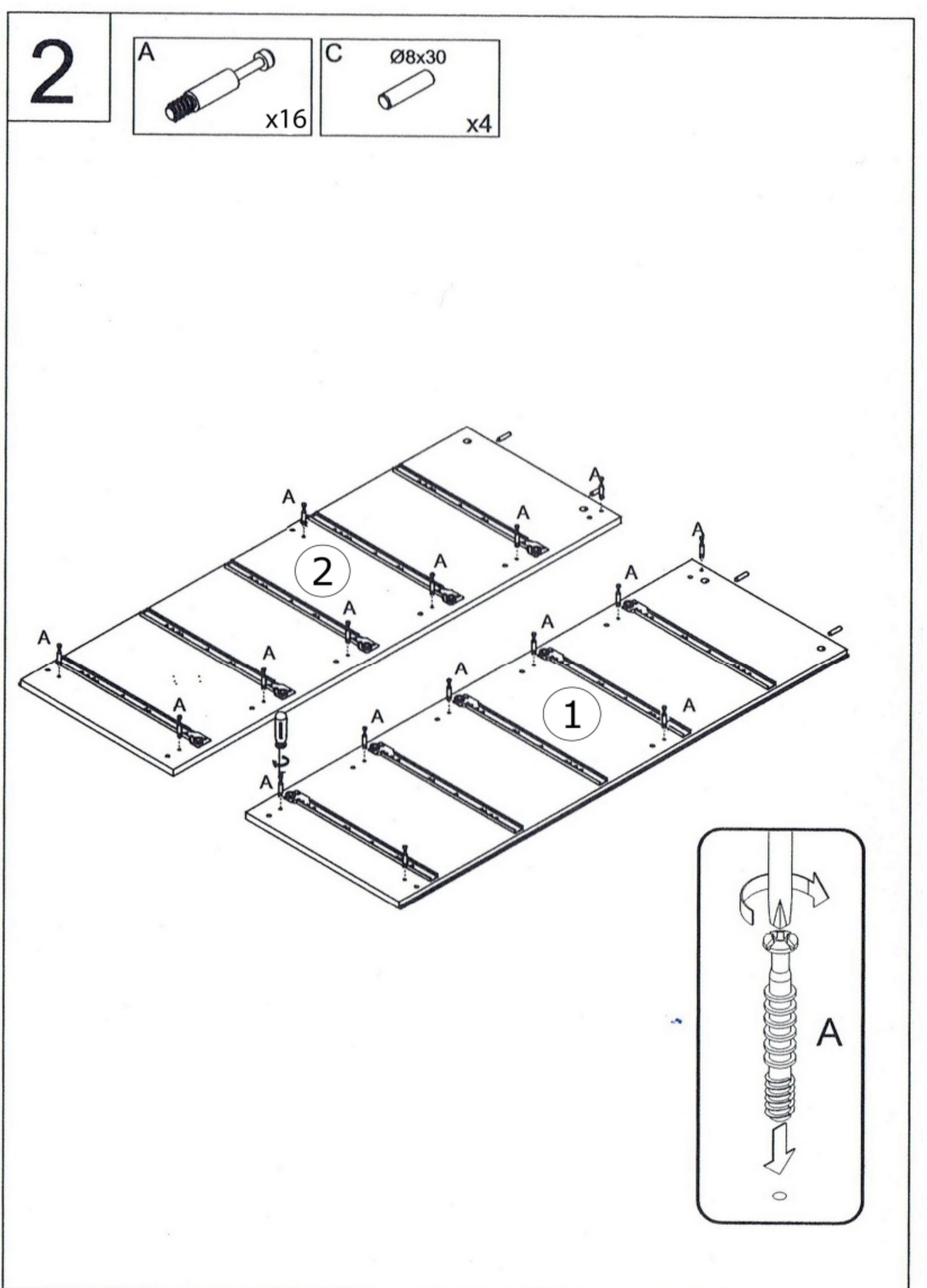
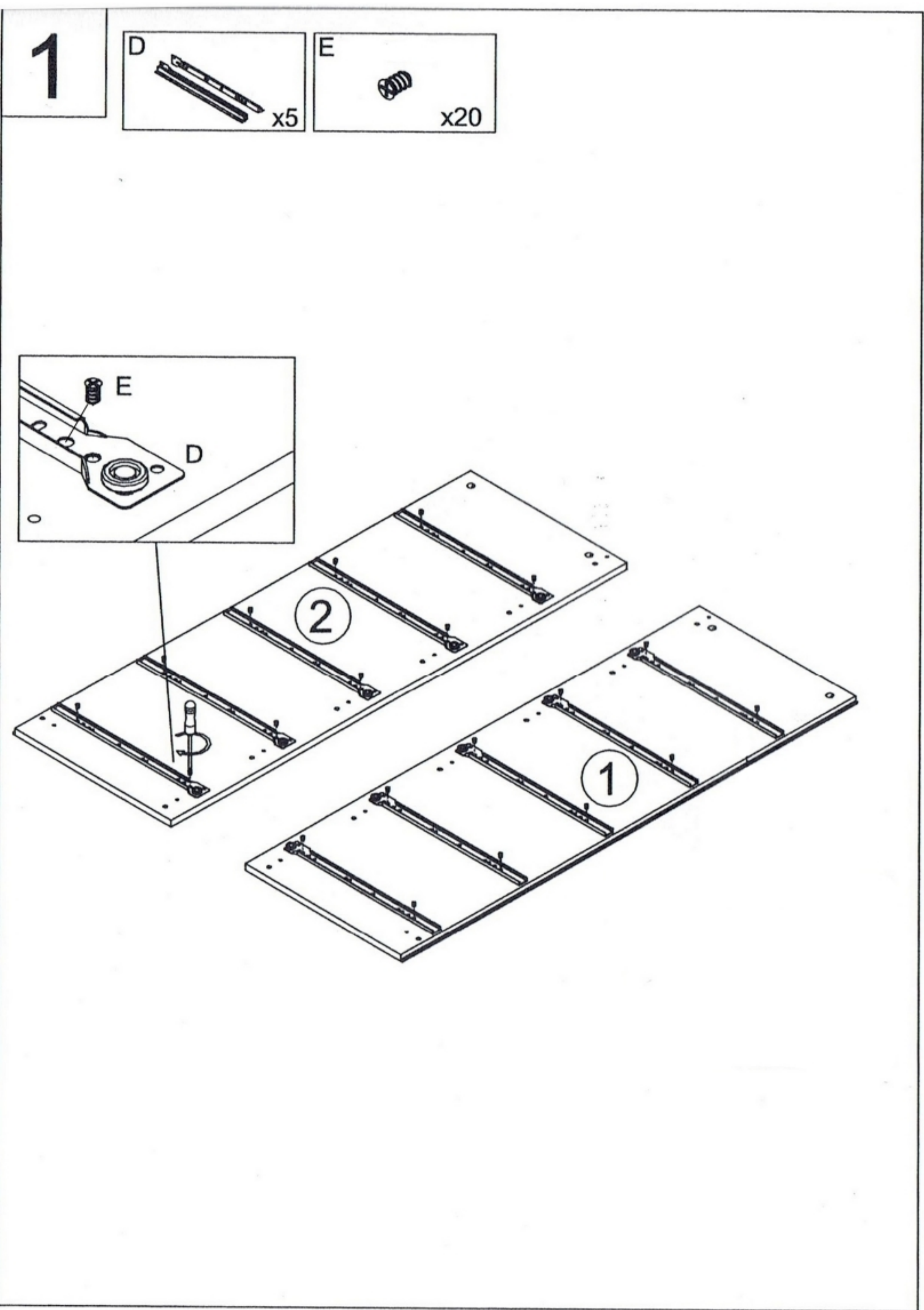
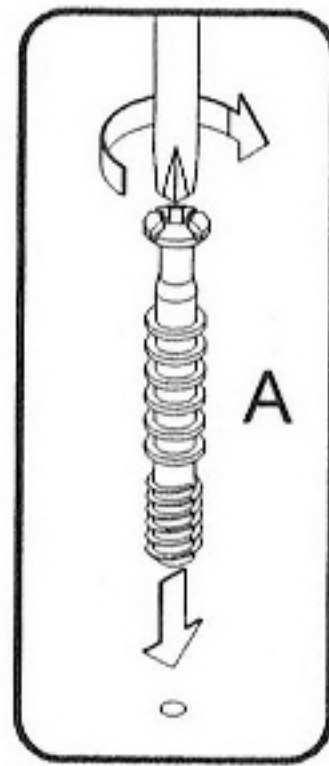
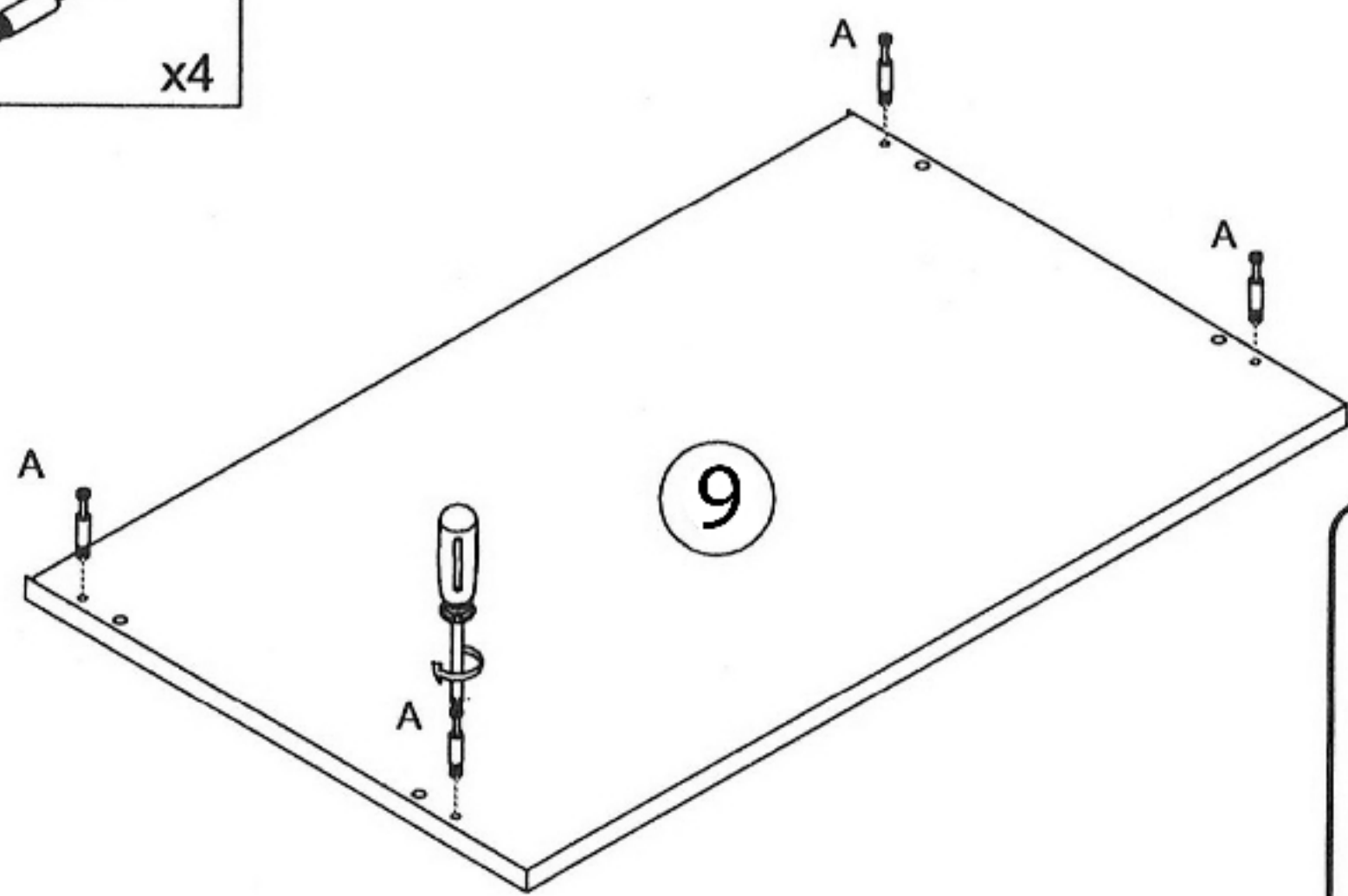
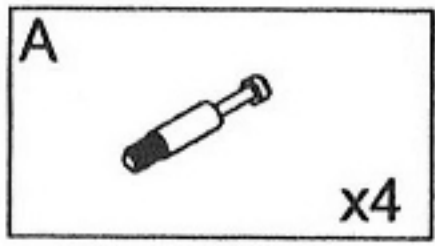
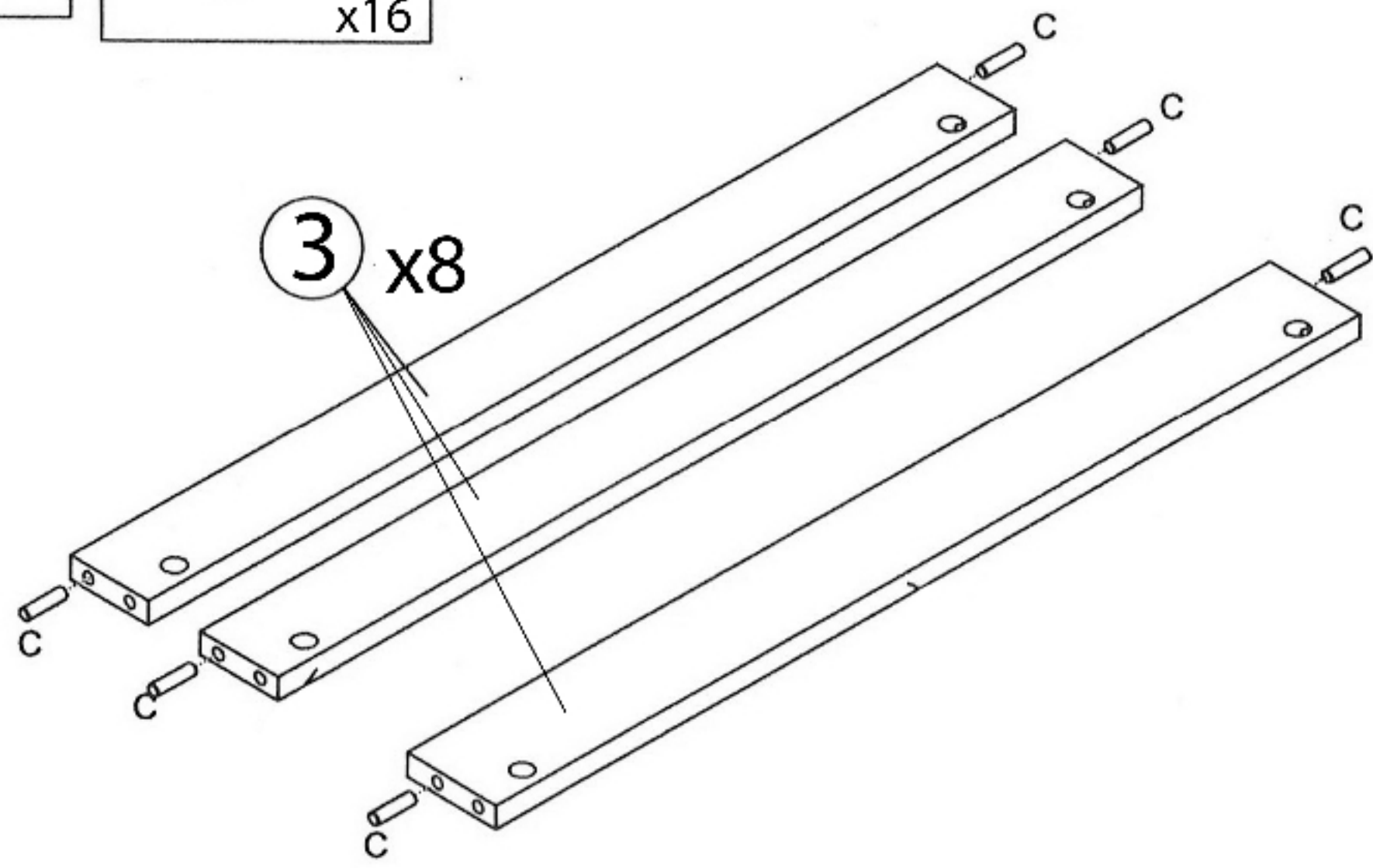
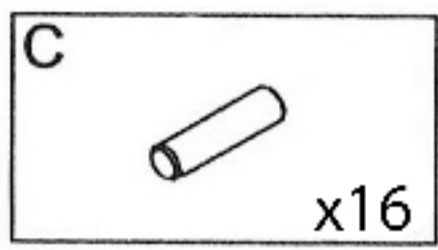


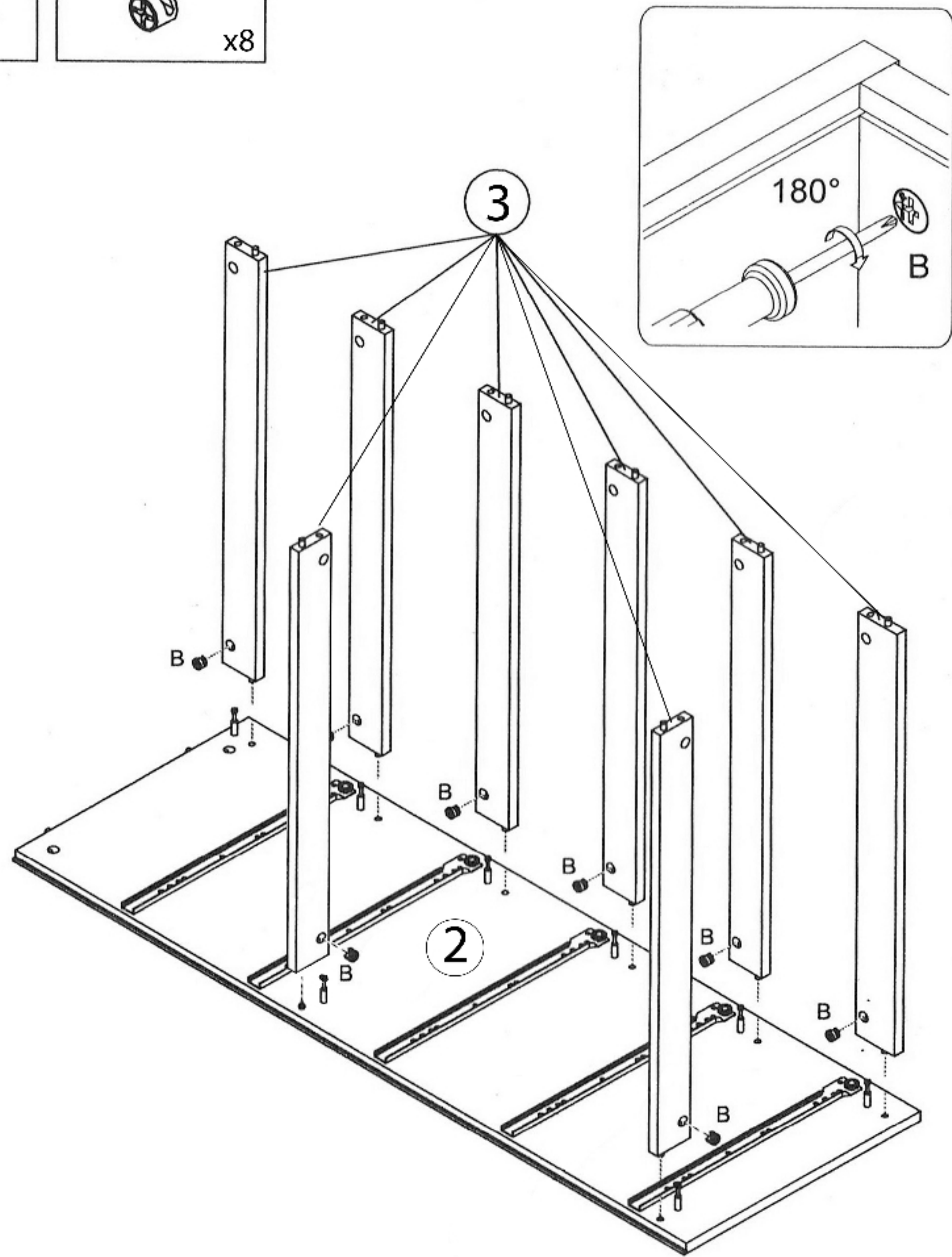
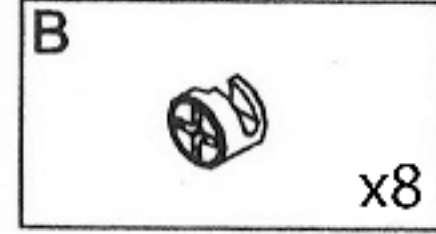
- | | | | | | | | | | | | |
|---|---|---|---|---|---|---|---|---|---|---|--|
| A |  x30 | B |  x30 | C |  x40 | D |  x5 | E |  x20 | F |  x1 |
| G |  x20 | H |  x4 | I |  x70 | J |  x10 | K |  x20 | O |  L=1164 mm x1 |



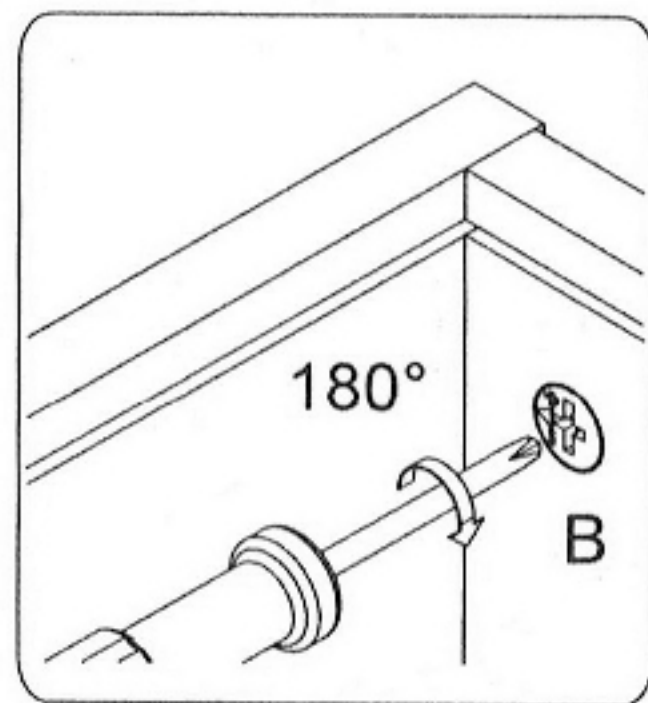
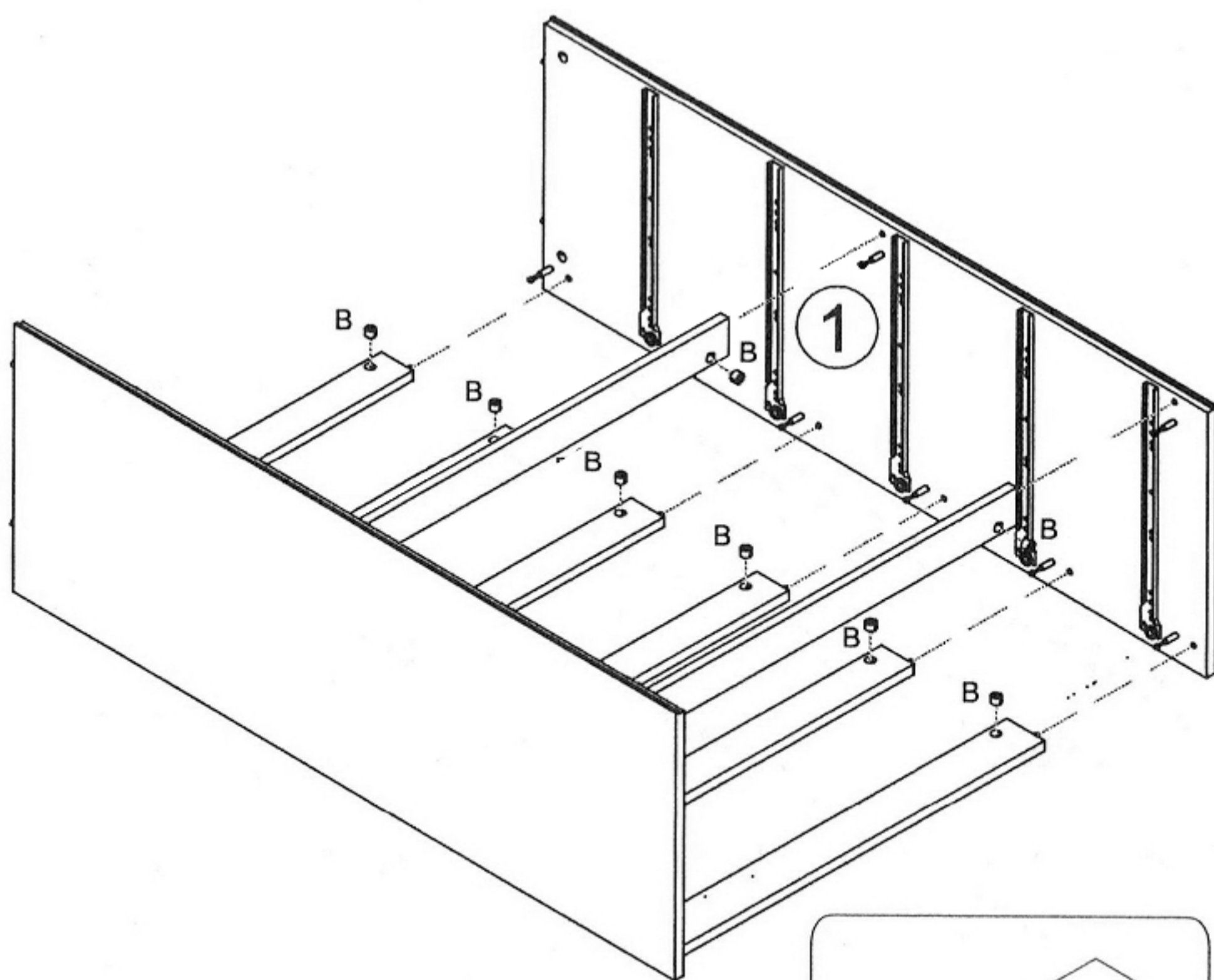
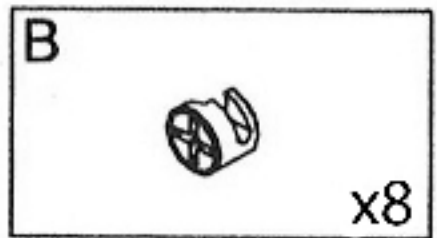
3



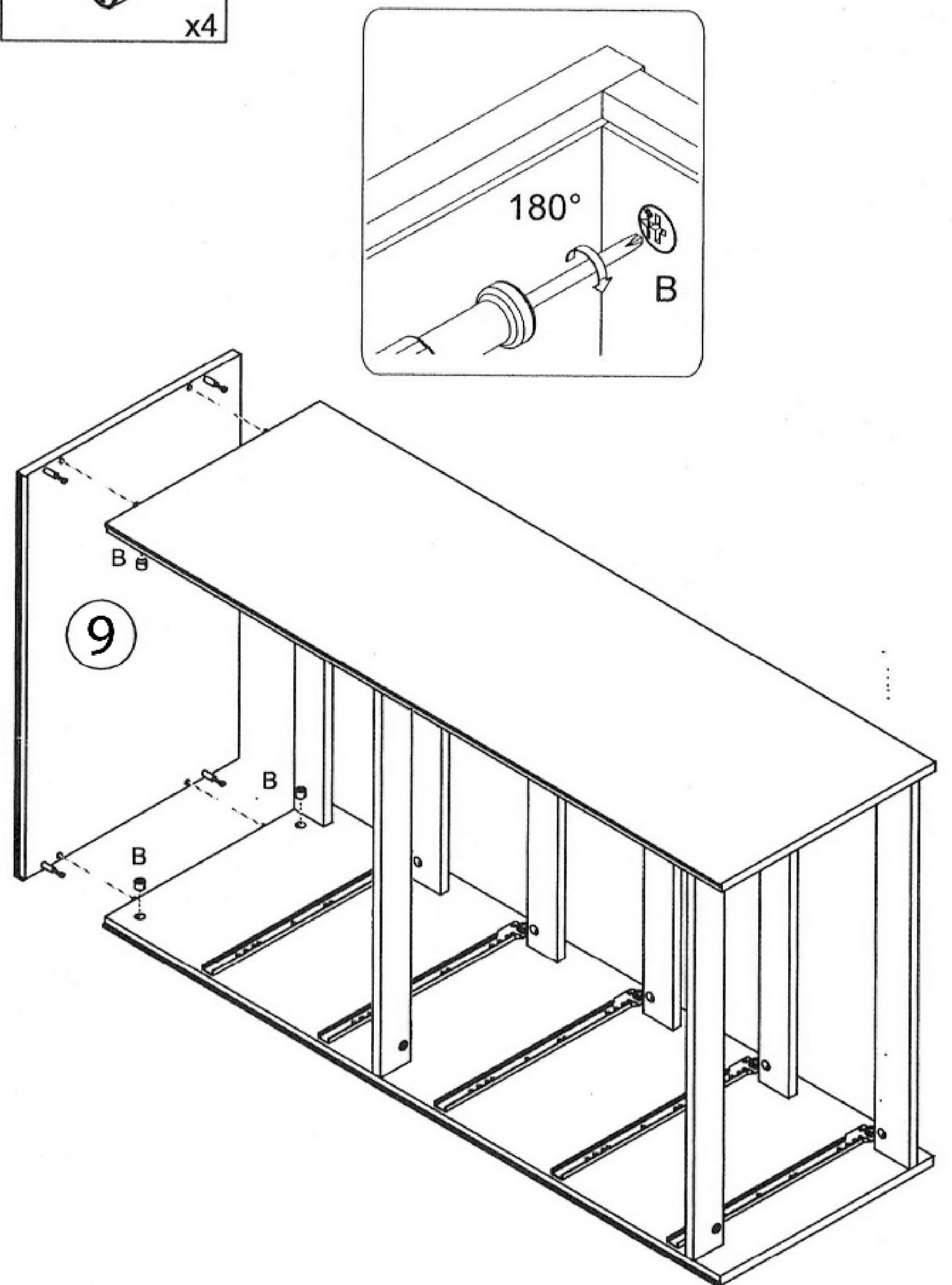
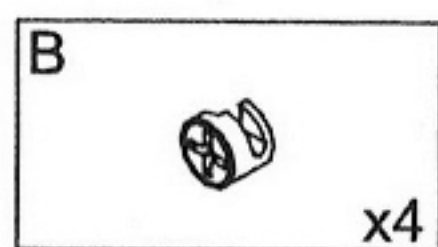
4



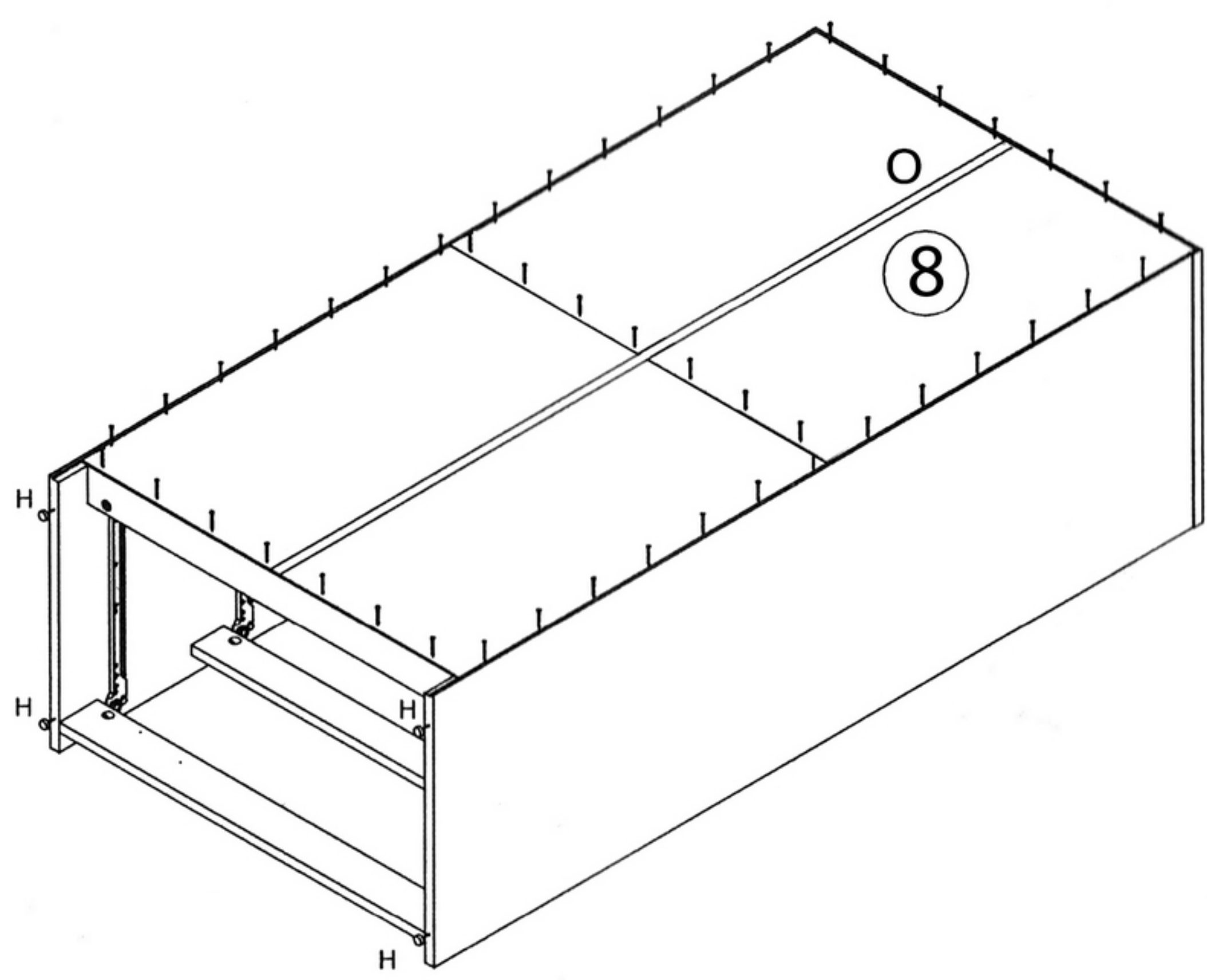
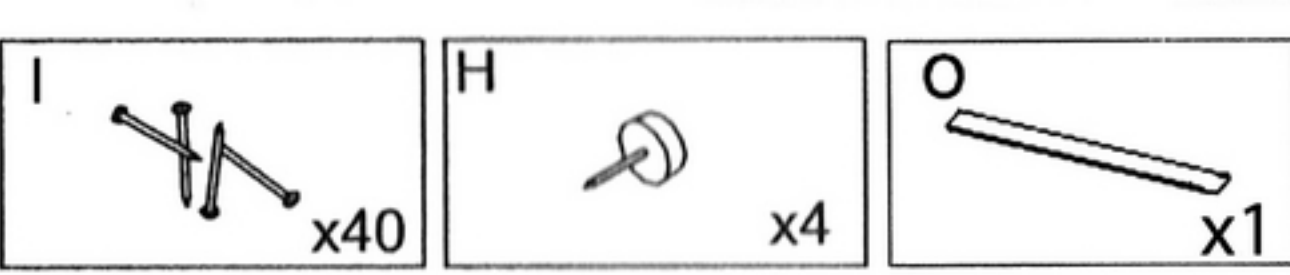
5



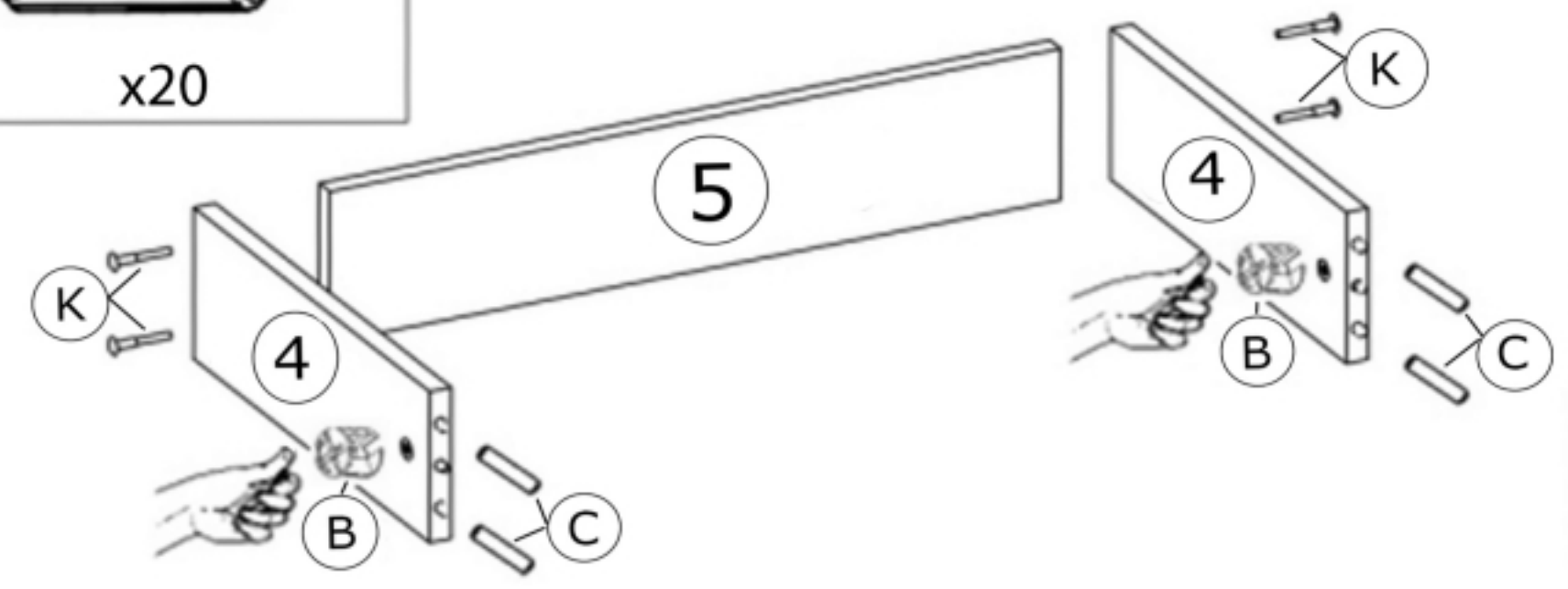
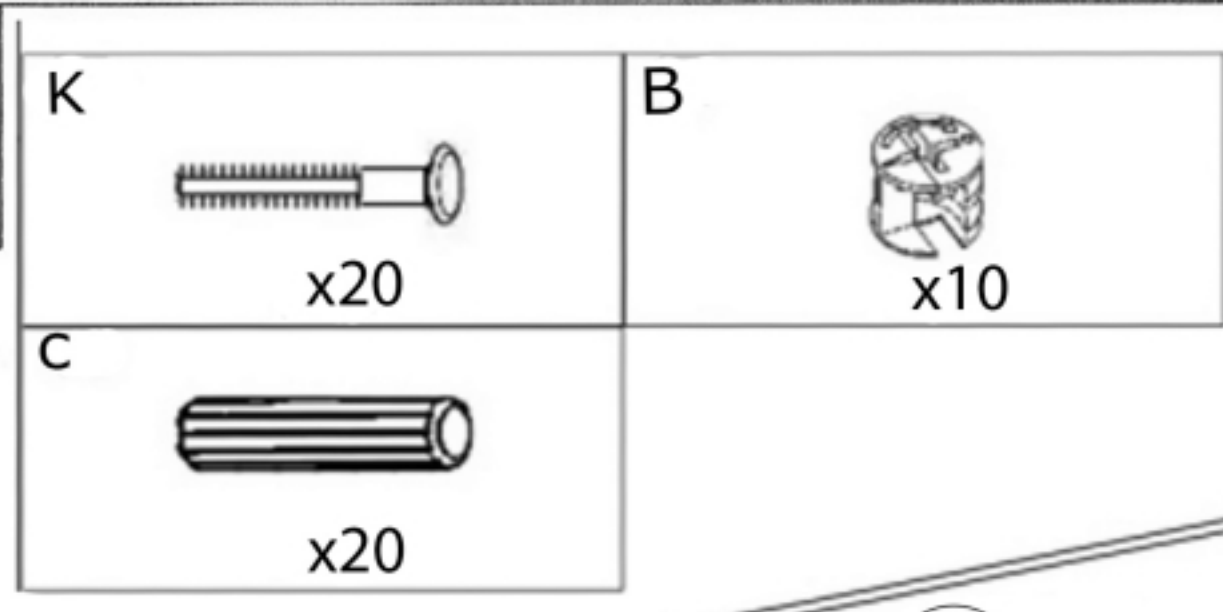
6



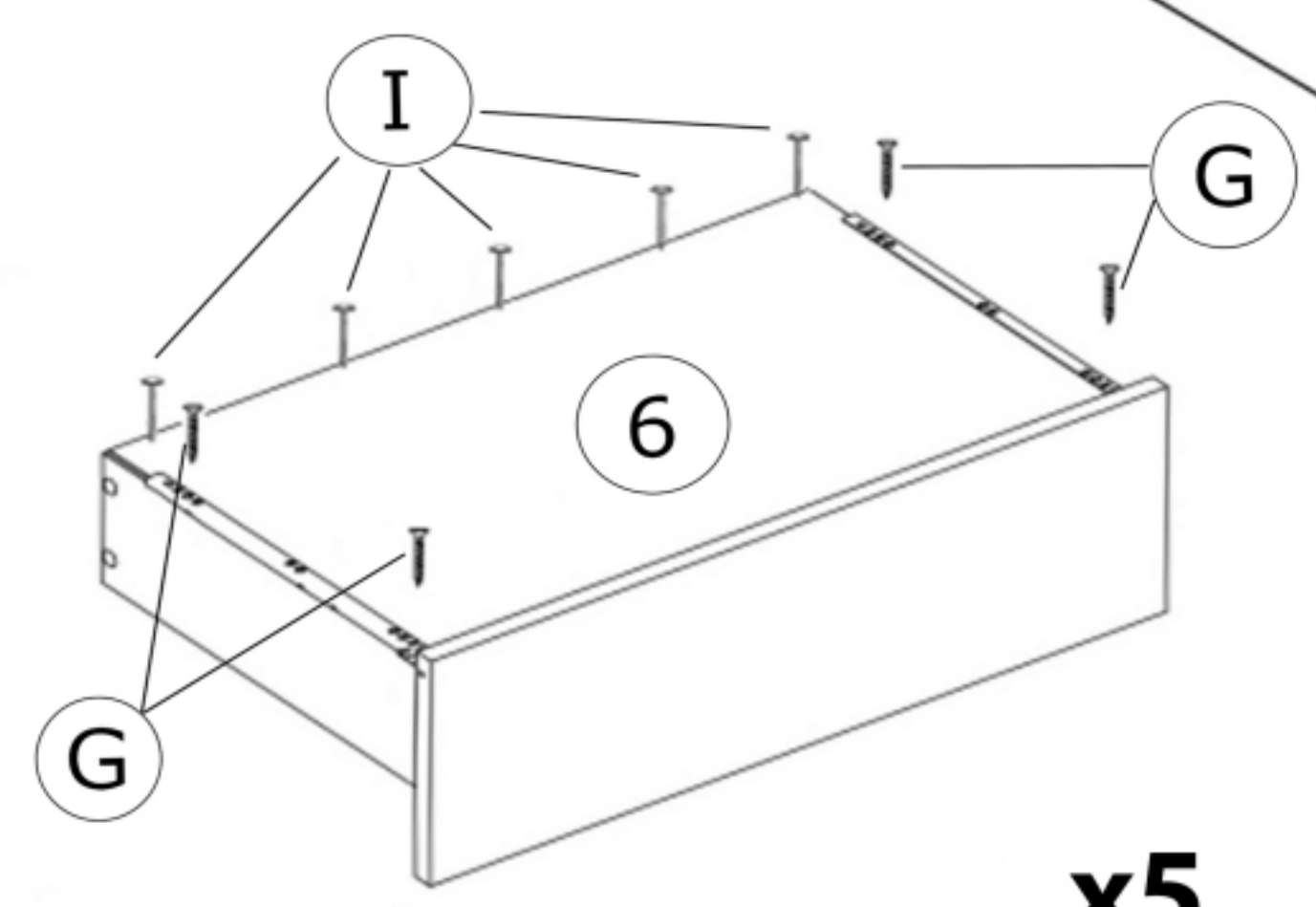
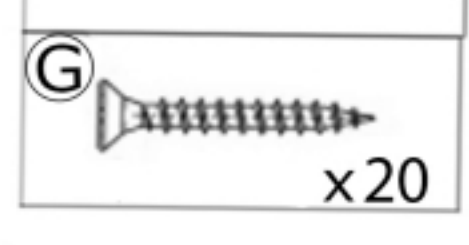
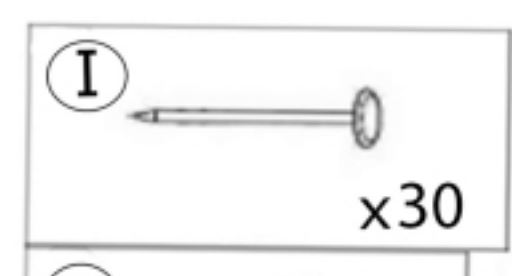
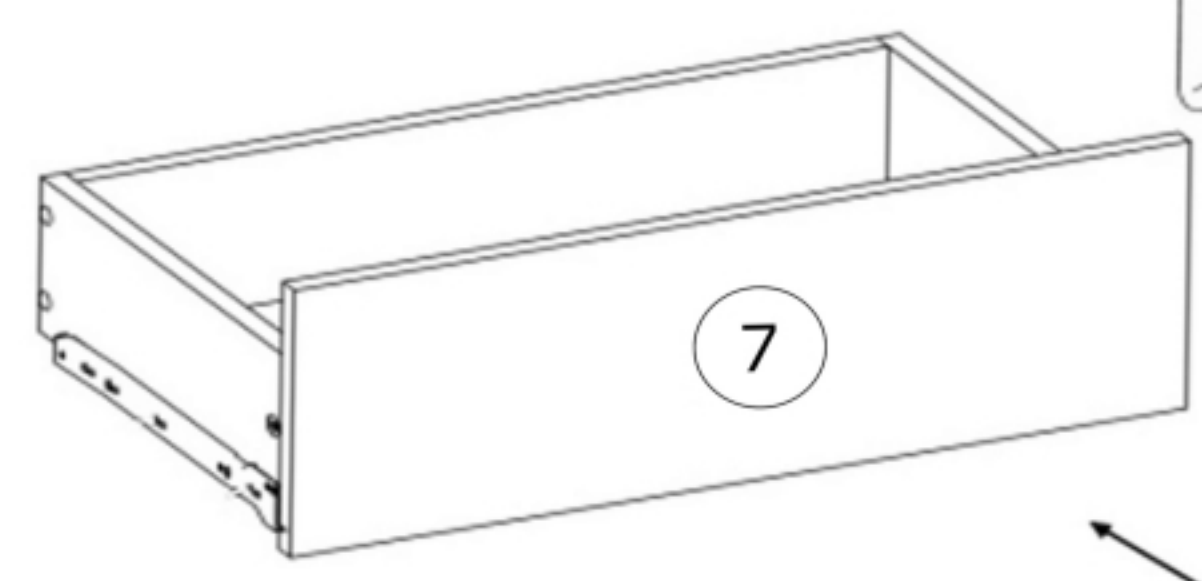
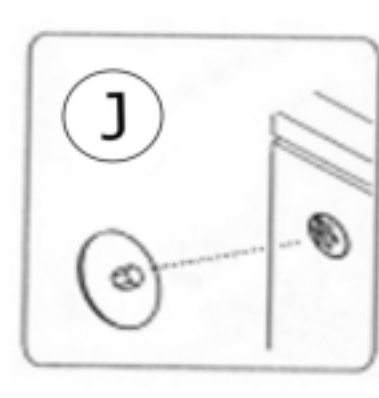
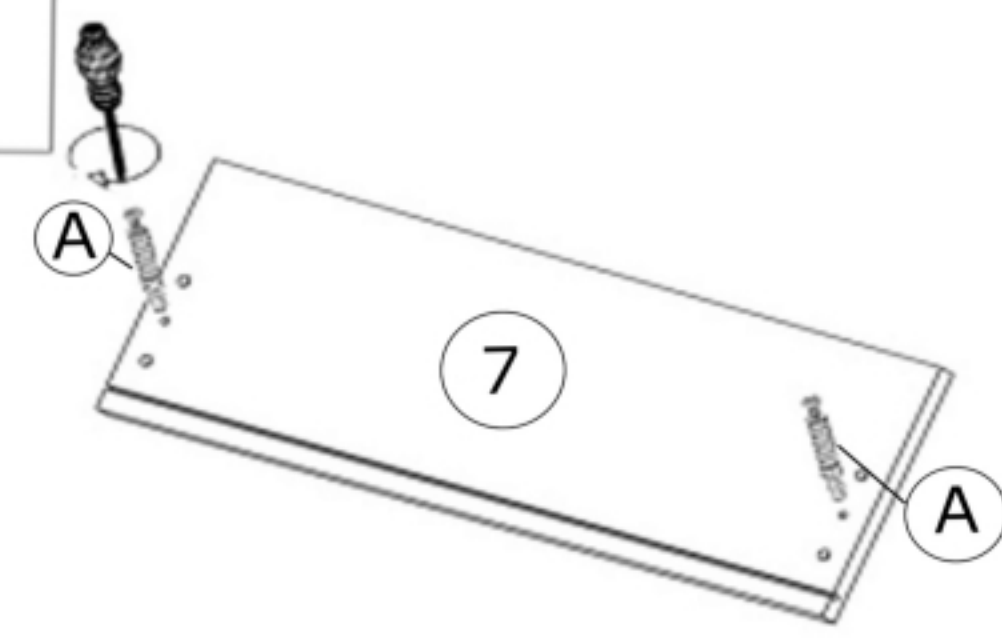
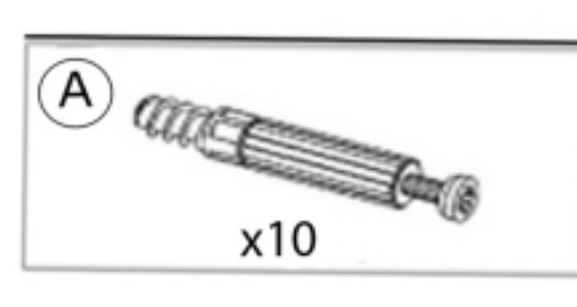
7



8



x5



x5

9

