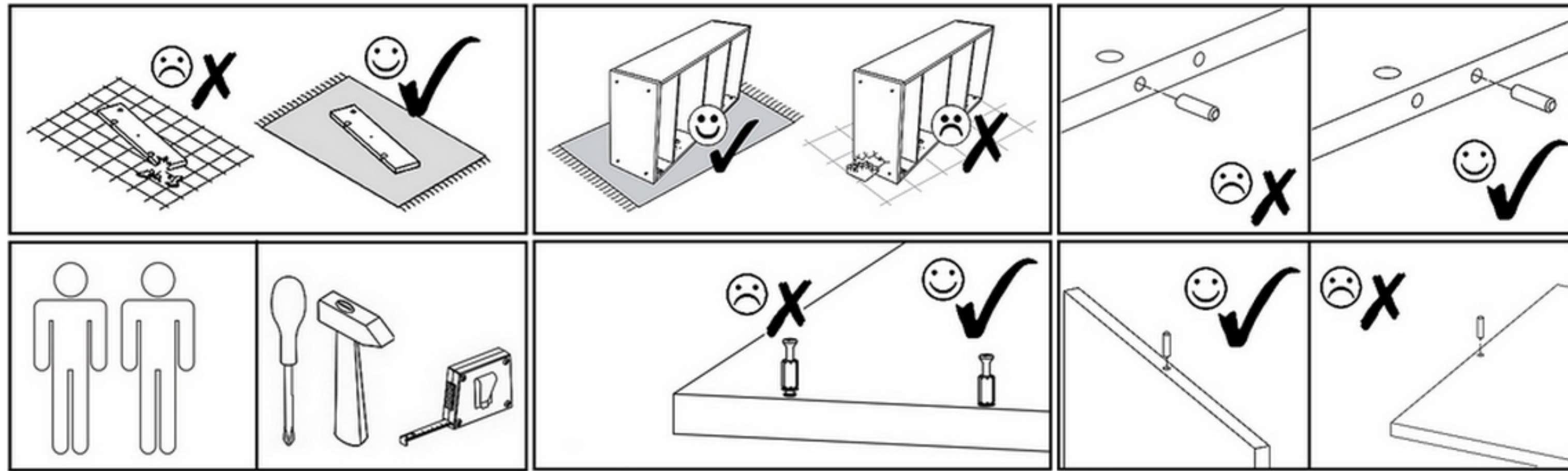
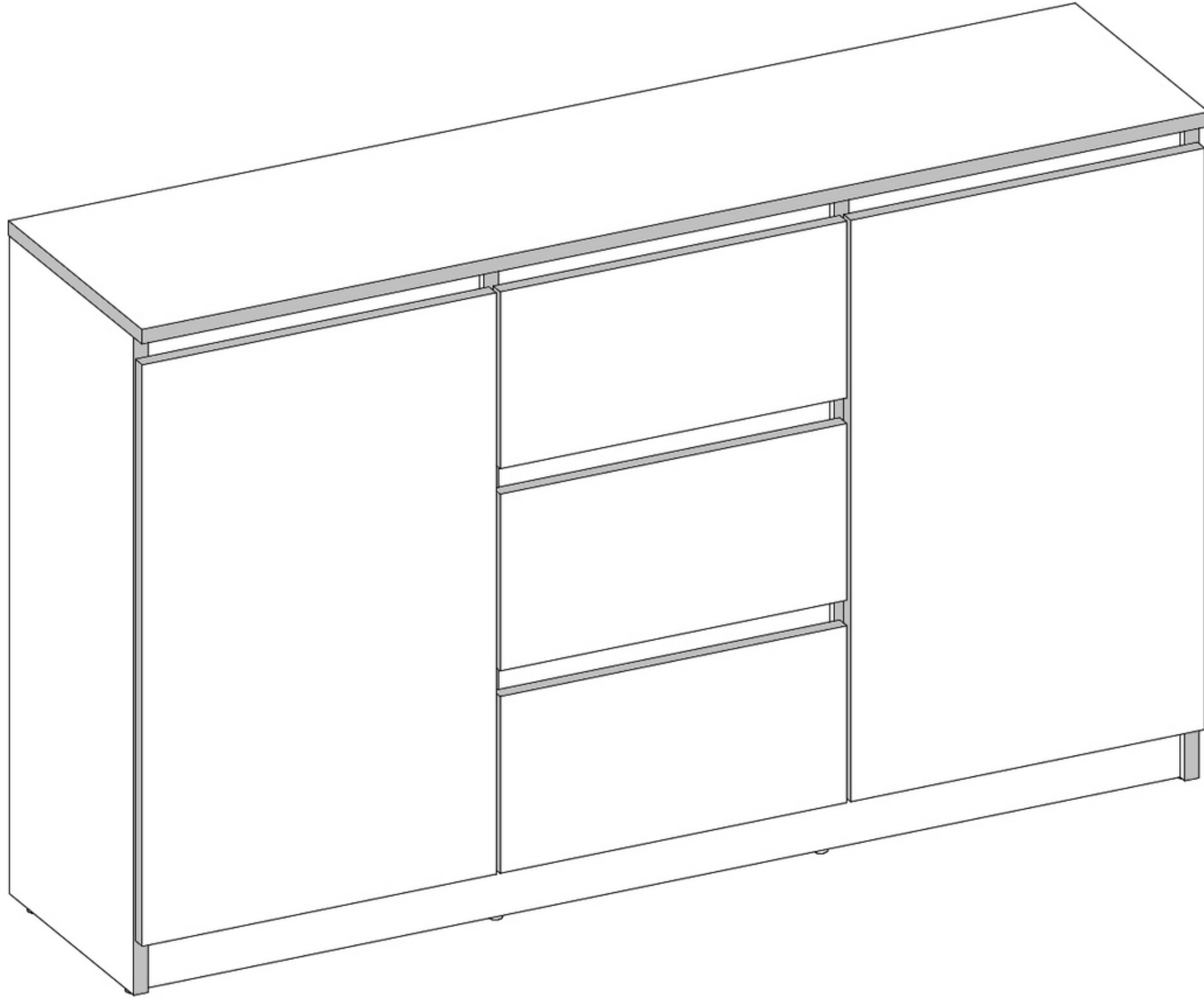
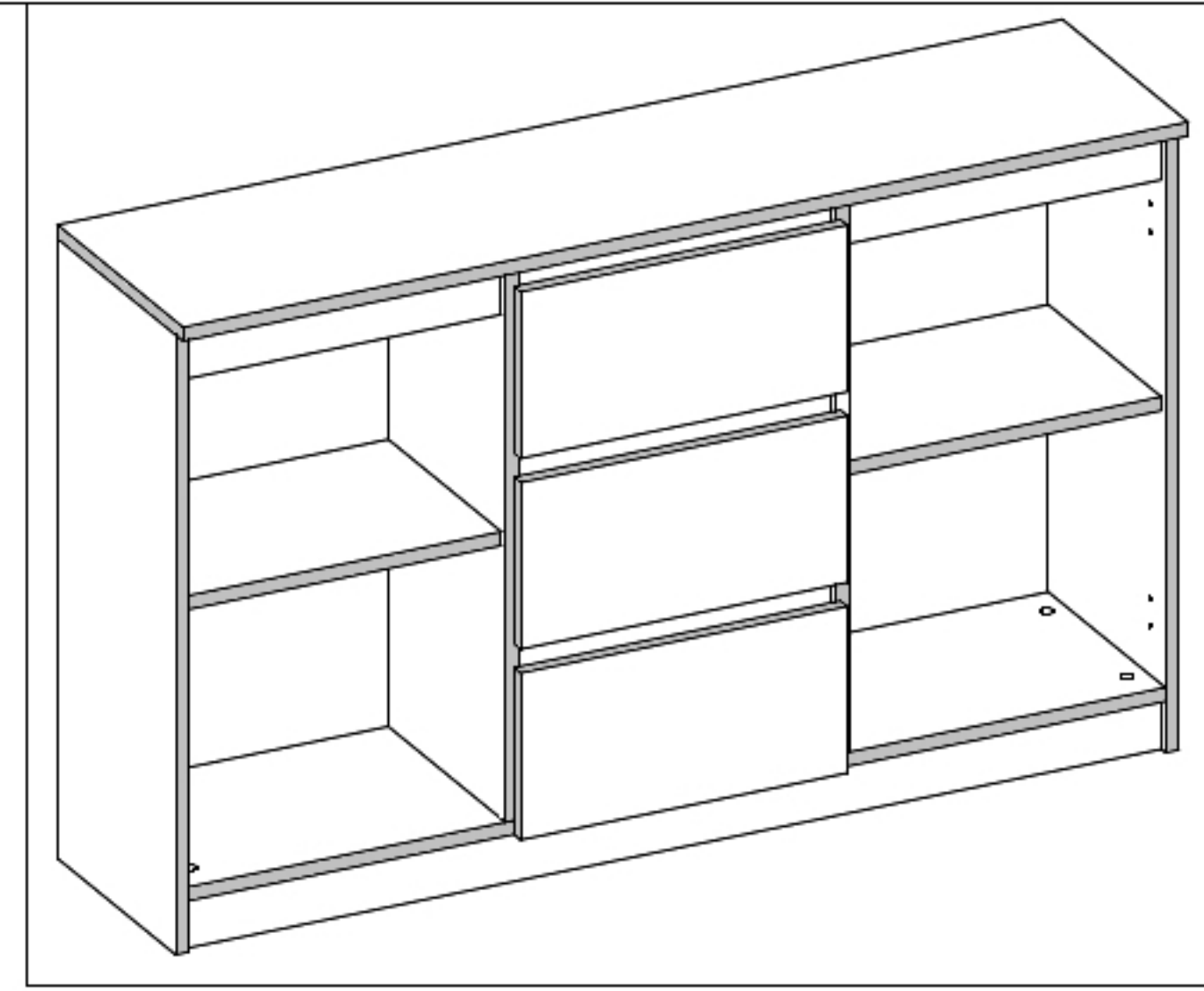





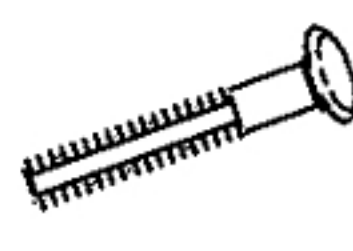




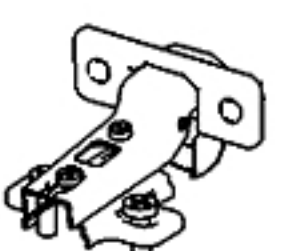


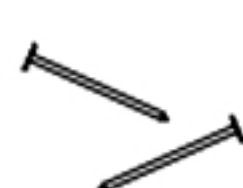
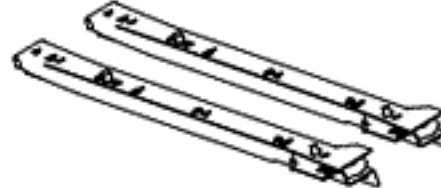


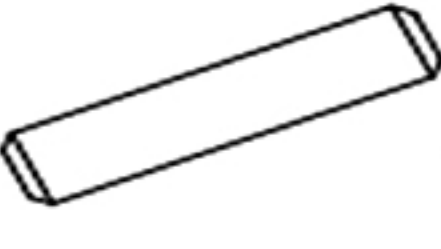



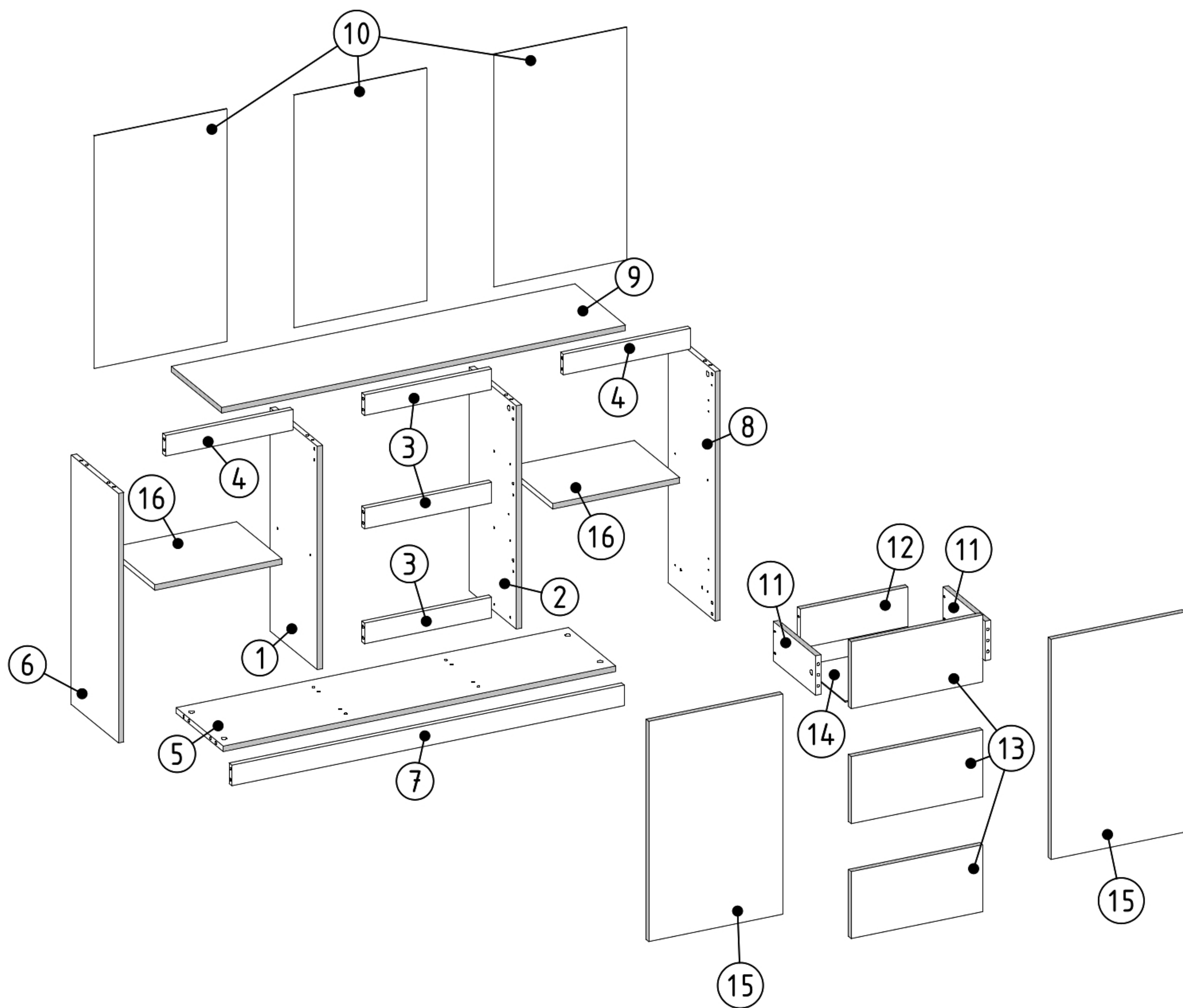


15.04.2022

# 2D3S








 <b>x 1</b>	<b>S5</b>  2,5x20 mm <b>x 8</b>	<b>K2</b>  <b>x 1</b>							
<b>N2</b>  L=35 mm <b>x 24</b>	<b>M3</b>  12x15 mm <b>x 28</b>	<b>E4</b>  L=43 mm <b>x 12</b>	<b>S1</b>  3,5x16 mm <b>x 22</b>	<b>E1</b>  8x30 mm <b>x 38</b>	<b>D2</b>  5x16 mm <b>x 8</b>	<b>F1</b>  7x50 mm <b>x 4</b>	<b>A0</b>  ZP <b>x 4</b>	<b>Z4</b>  <b>x 8</b>	
<b>T1</b>  <b>x 8</b>	<b>Z2</b>  <b>x 70</b>	<b>P3</b>  L=250 mm <b>x 3</b>	<b>S15</b>  6x8 mm <b>x 12</b>	<b>M2</b> x22  ø17 mm <b>x 10</b>	<b>E3</b>  8x50 mm <b>x 2</b>	<b>F3</b>  <b>x 1</b>	<b>N3</b>  L=56 mm <b>x 2</b>	<b>F5</b> x32  ø8mm <b>x 8</b>	

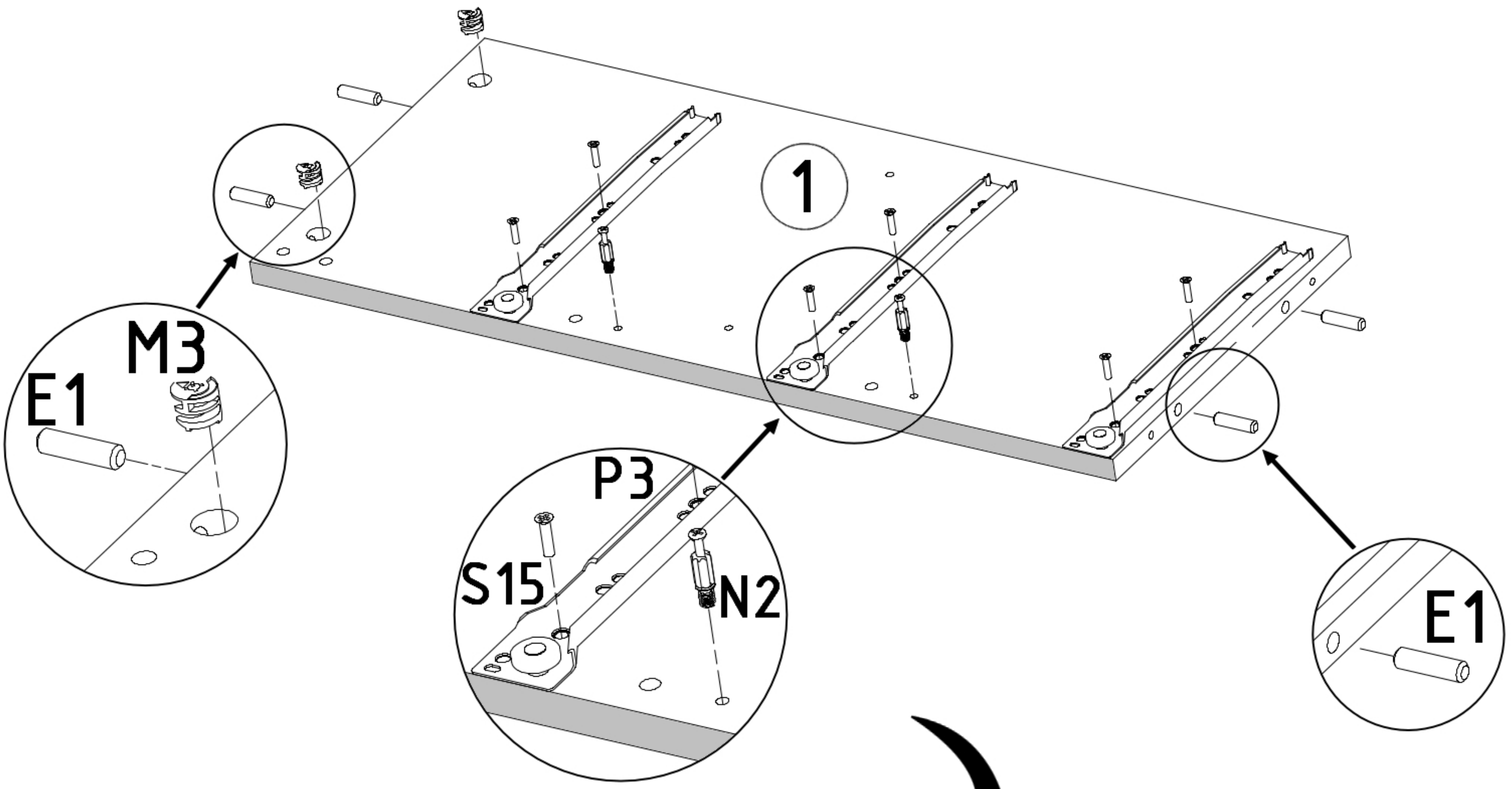



<b>1</b>	x	1
<b>2</b>	x	1
<b>3</b>	x	3
<b>4</b>	x	2
<b>5</b>	x	1
<b>6</b>	x	1
<b>7</b>	x	1
<b>8</b>	x	1

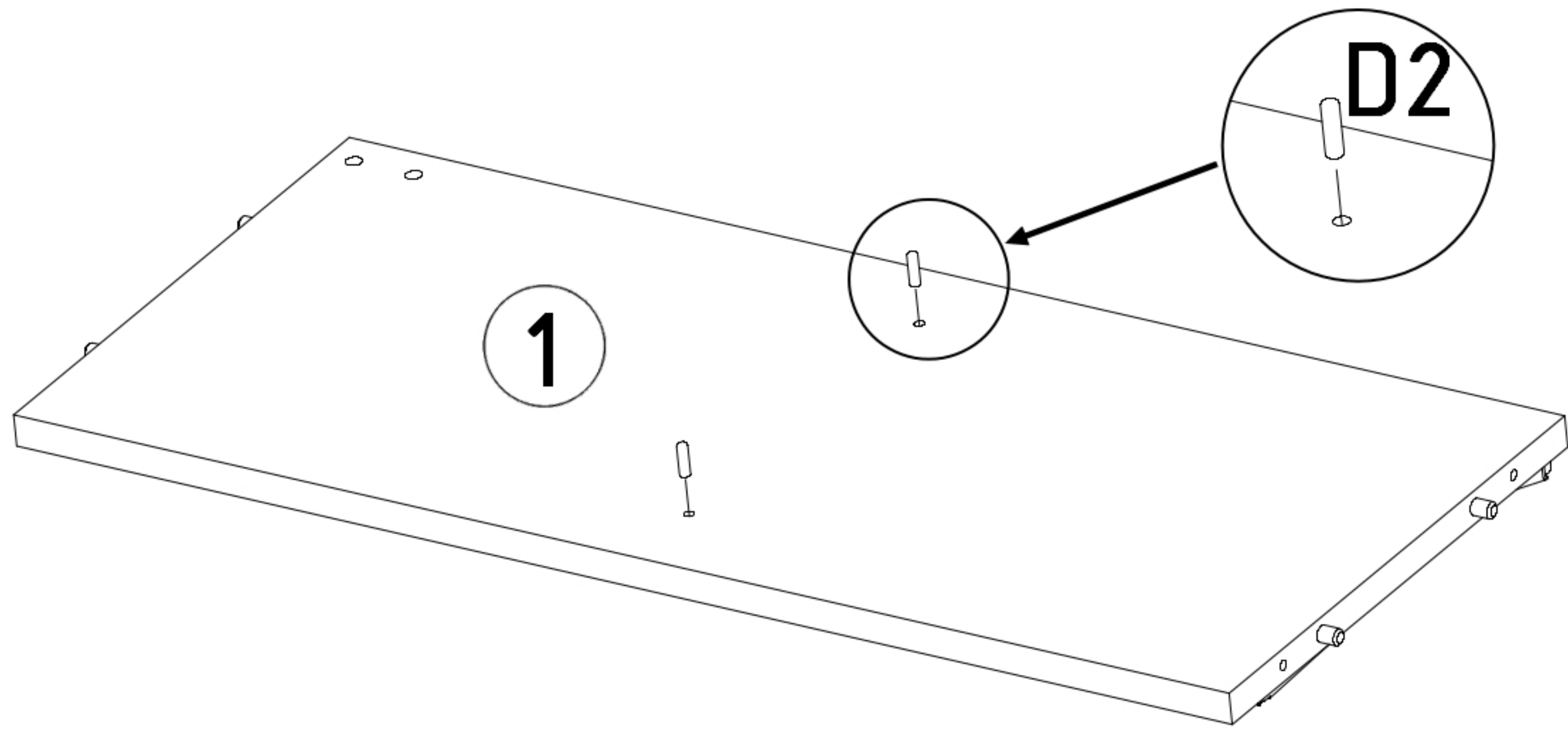
<b>9</b>	x	1
<b>10</b>	x	3
<b>11</b>	x	6
<b>12</b>	x	3
<b>13</b>	x	3
<b>14</b>	x	3
<b>15</b>	x	2
<b>16</b>	x	2

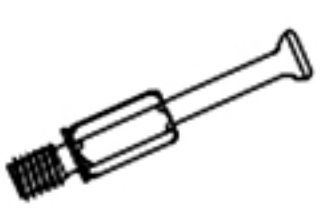

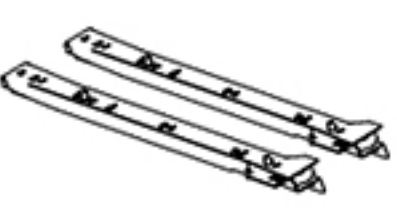




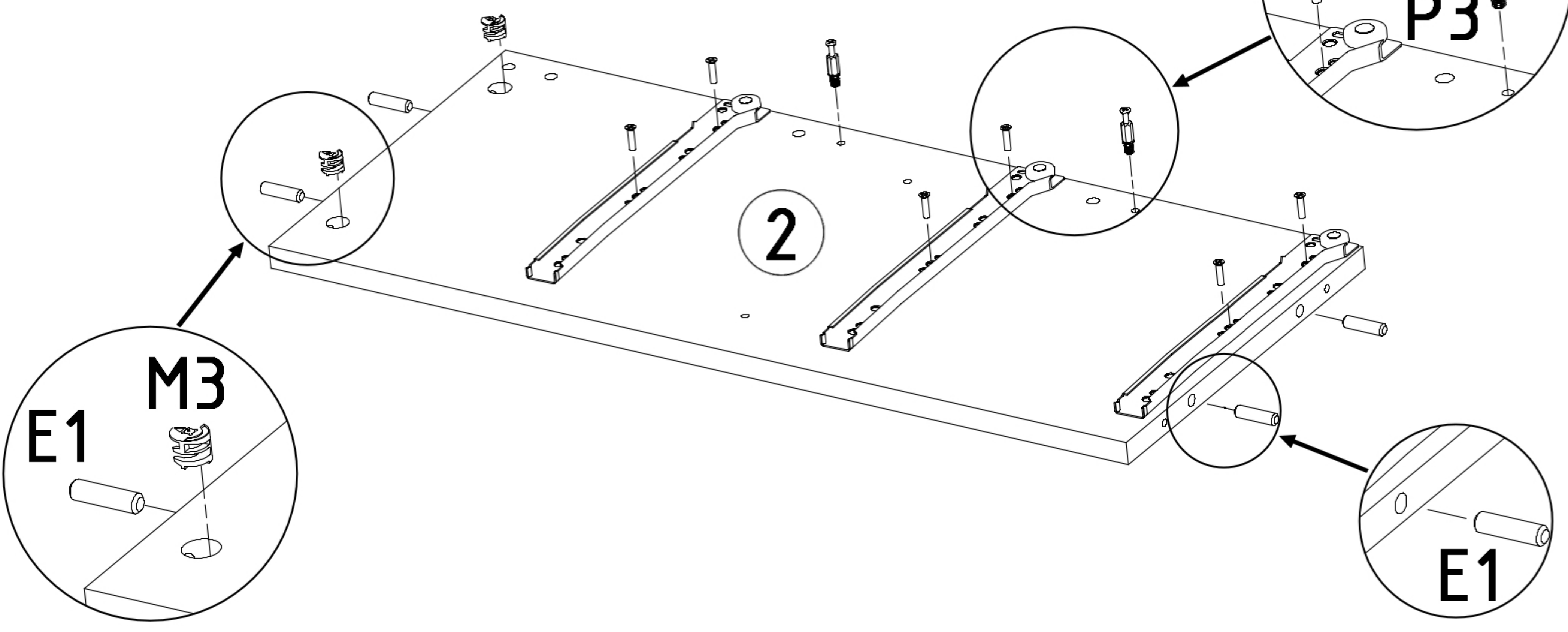
<b>N2</b>  x 2	<b>M3</b>  x 2	<b>P3</b>  x 3	<b>S15</b>  x 6	<b>E1</b>  x 4
--	---	---	--	---




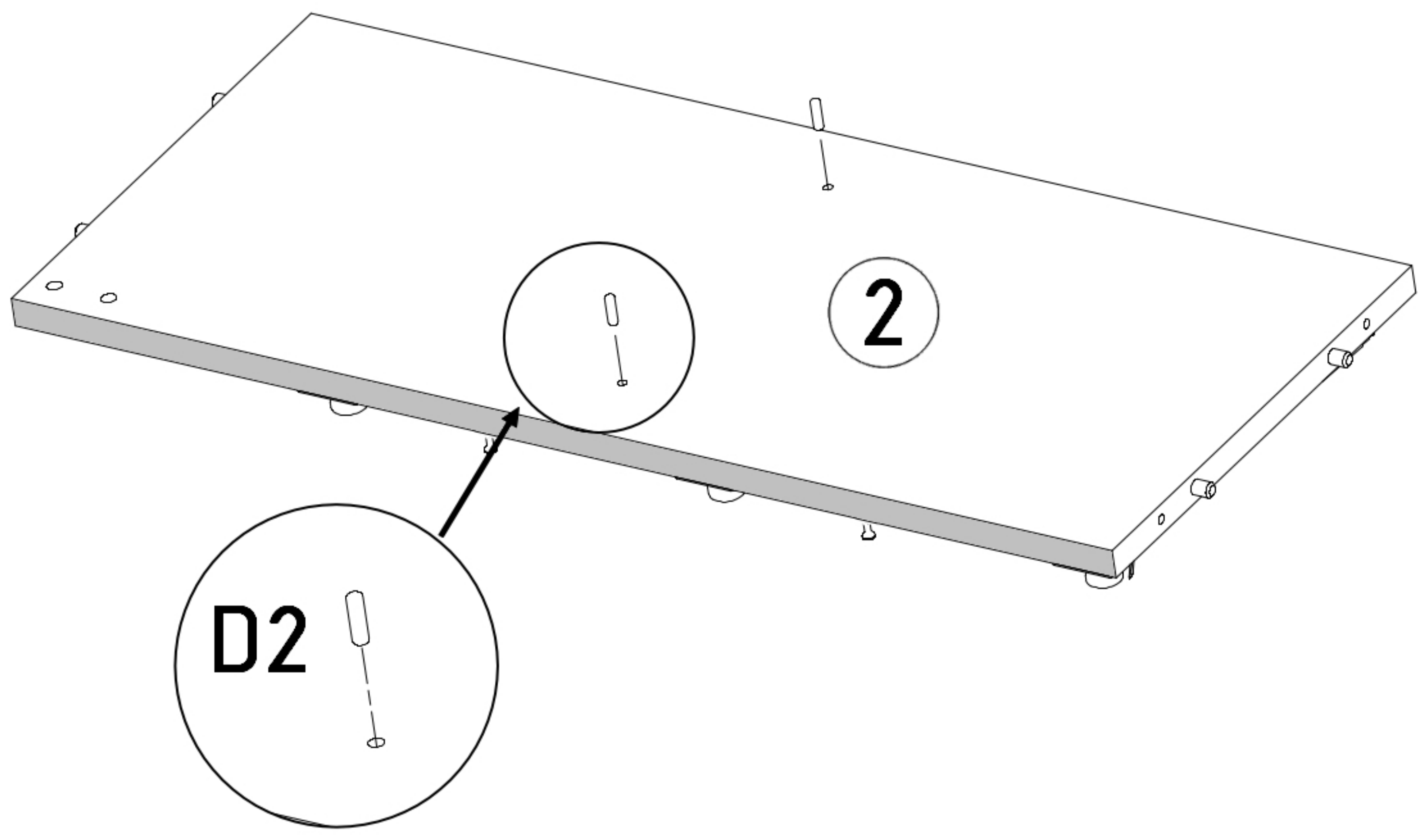
<b>D2</b>  x 2
--

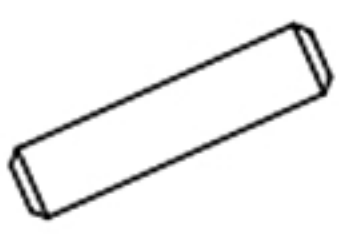



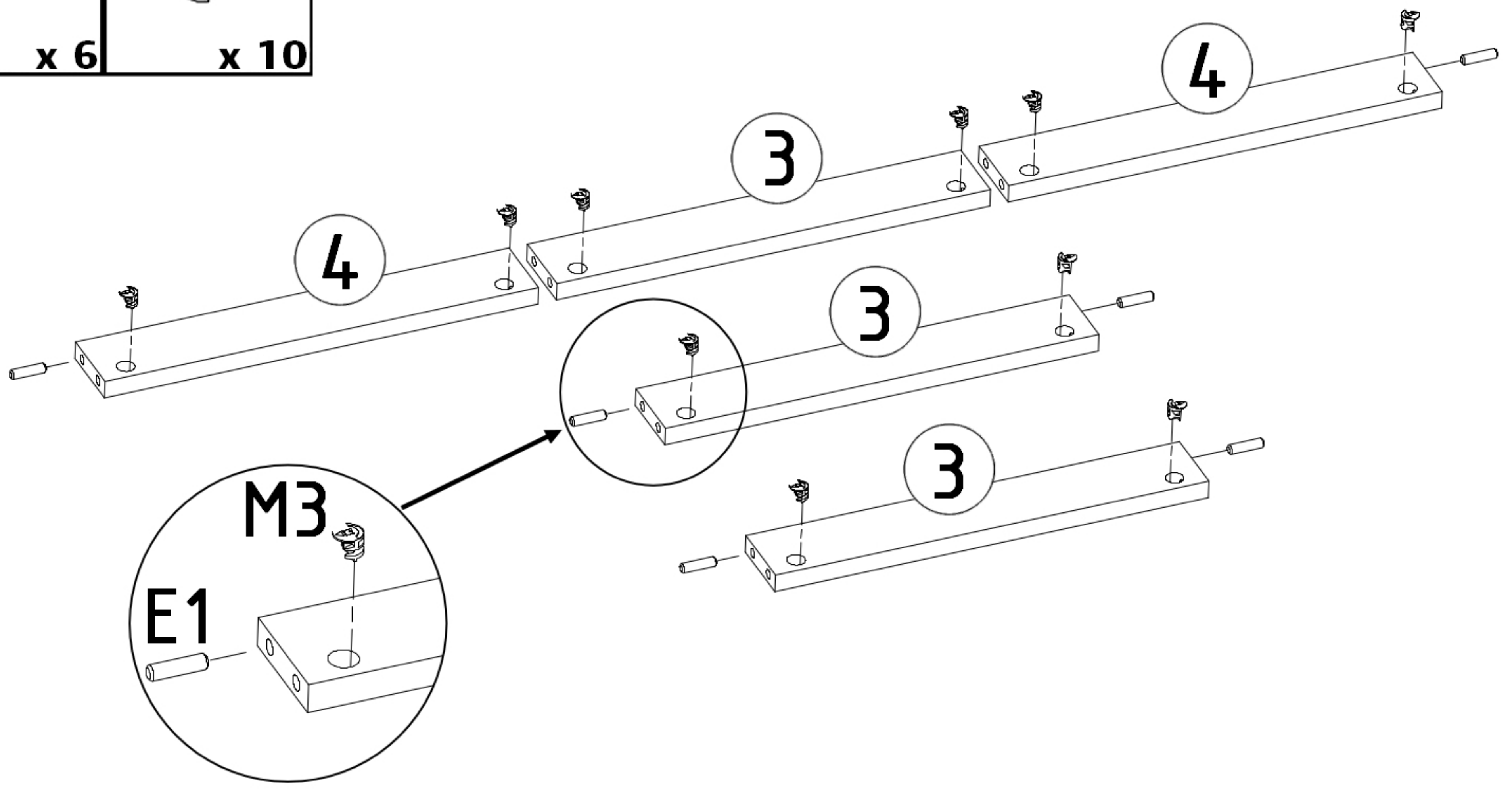
<b>N2</b>  x 2	<b>M3</b>  x 2	<b>P3</b>  x 3	<b>S15</b>  x 6	<b>E1</b>  x 4
--	---	---	--	--





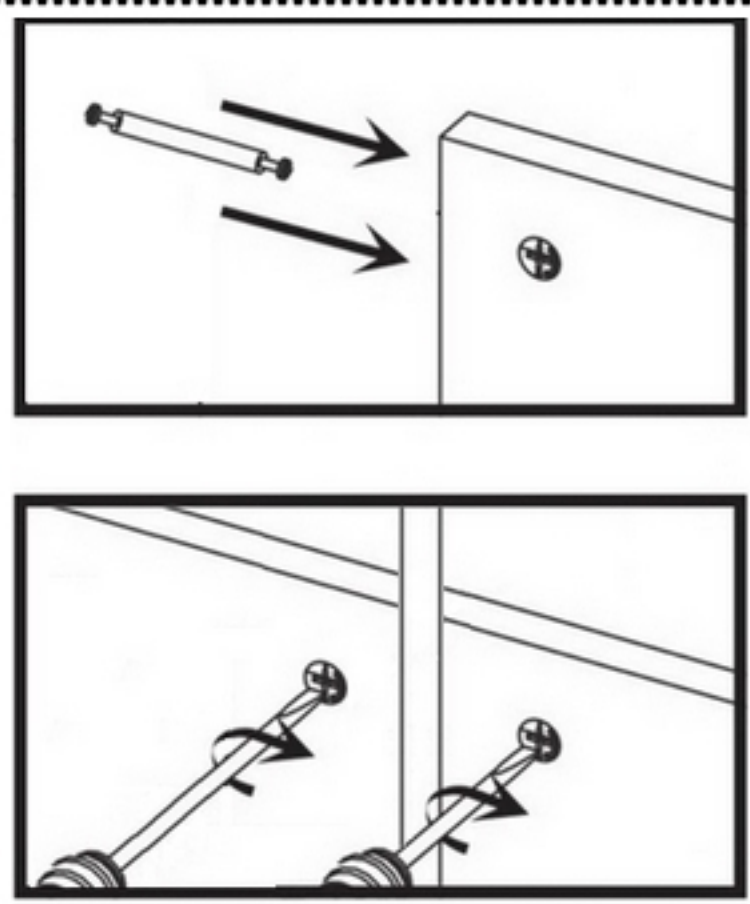
<b>D2</b>  x 2
--


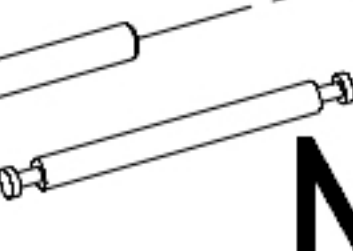


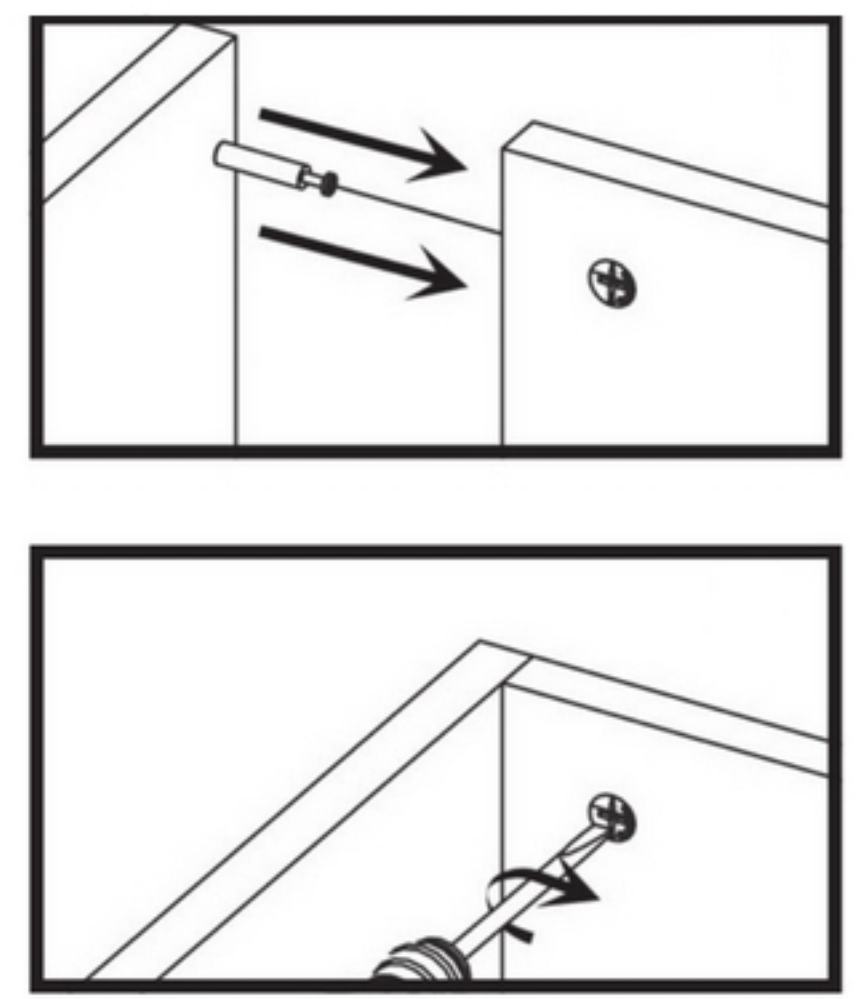
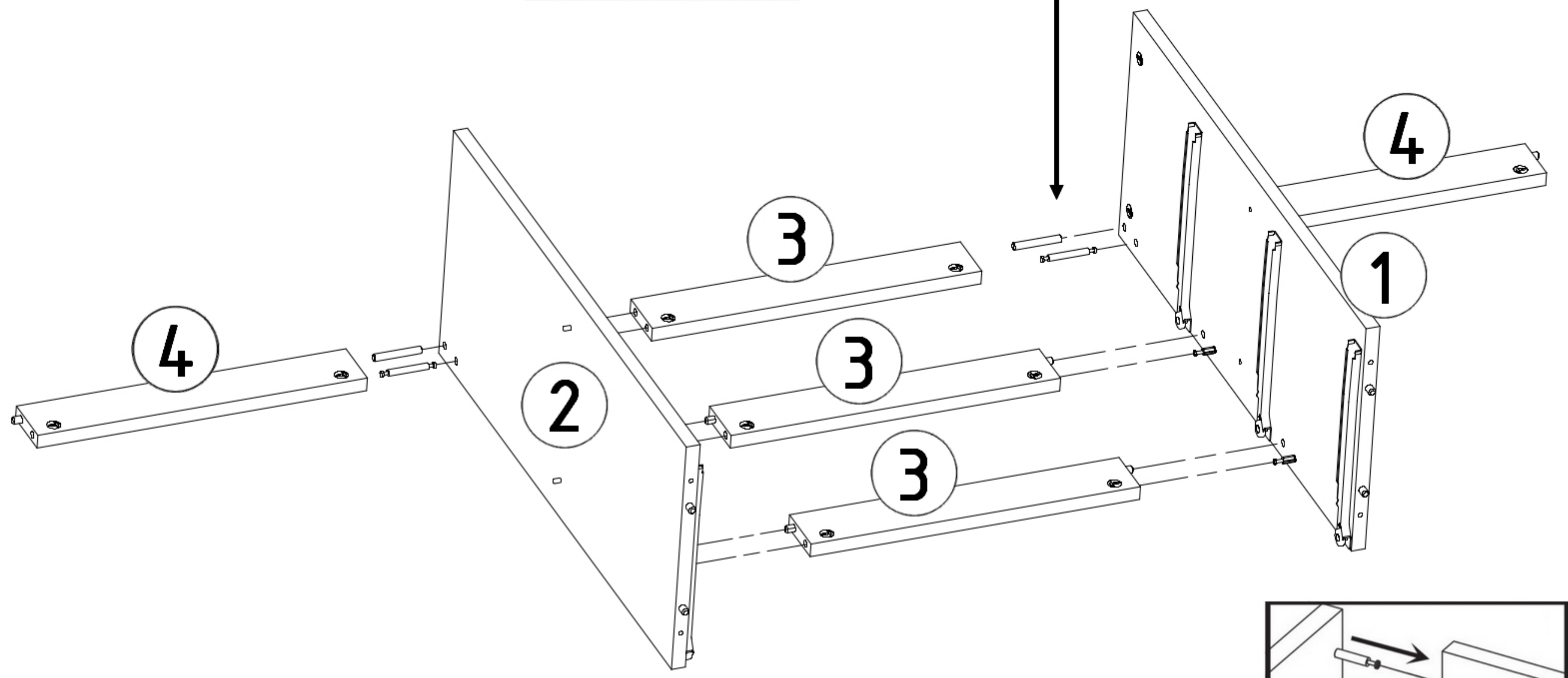
<b>E1</b>  x 6	<b>M3</b>  x 10
--	--





<b>N3</b>  x 2	<b>E3</b>  x 2
--	---

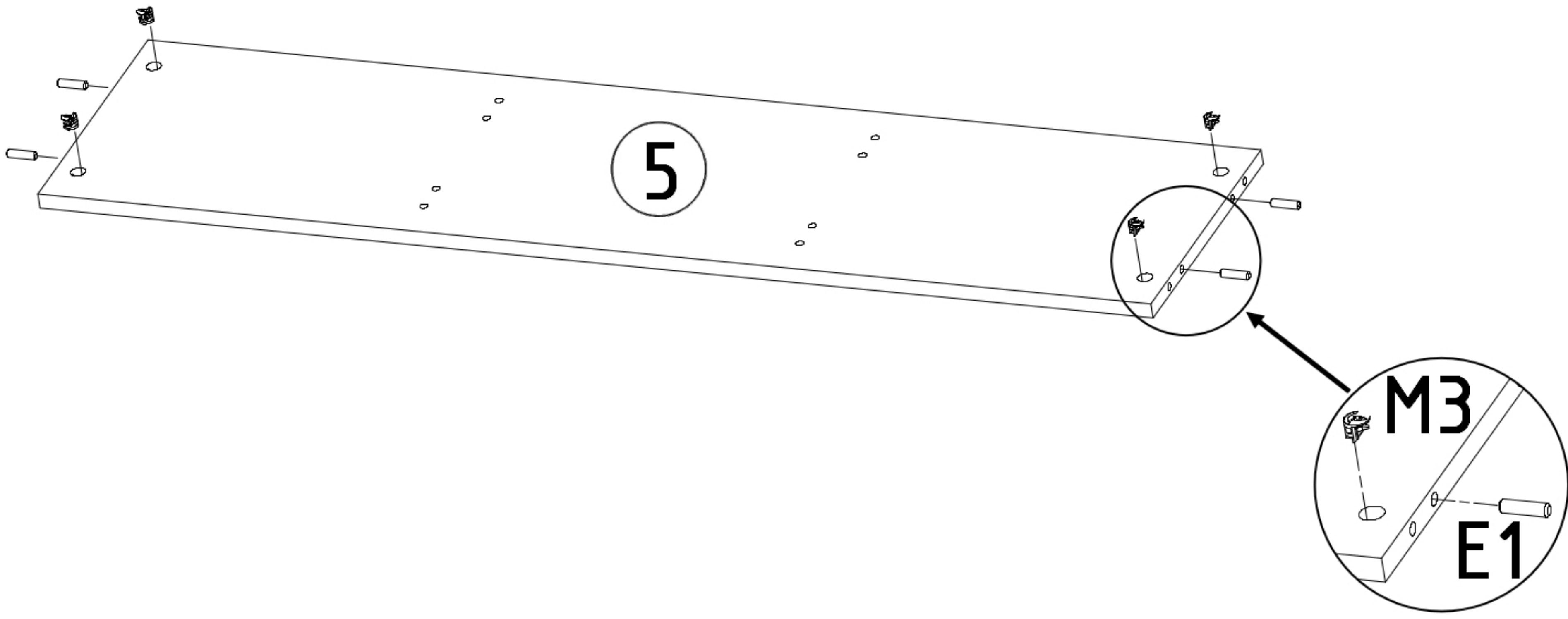



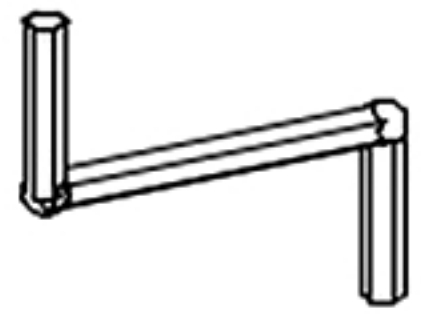
<b>E3</b> 	<b>N3</b> 
--	--

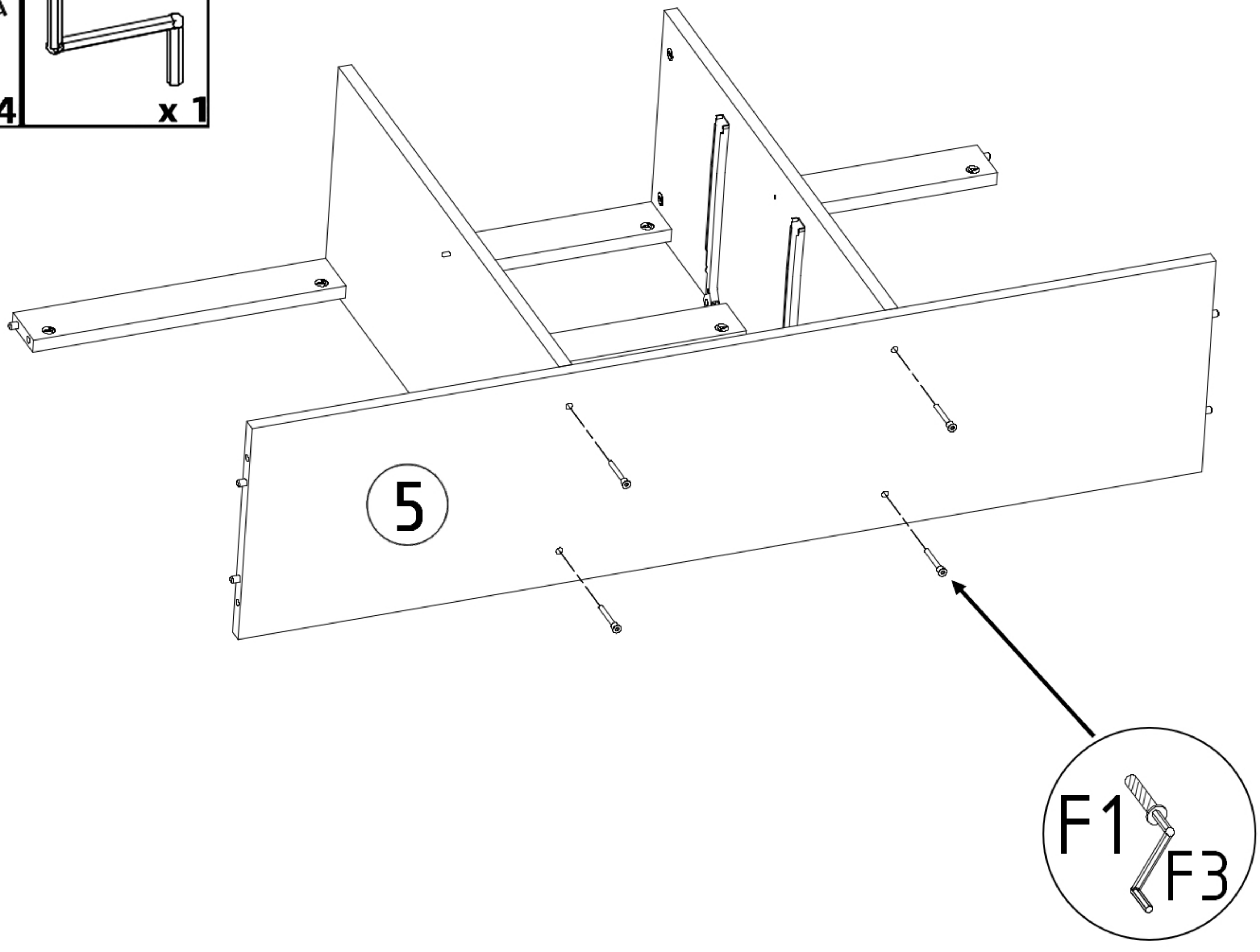









<b>E1</b>  <b>x 4</b>	<b>M3</b>  <b>x 4</b>
---	--

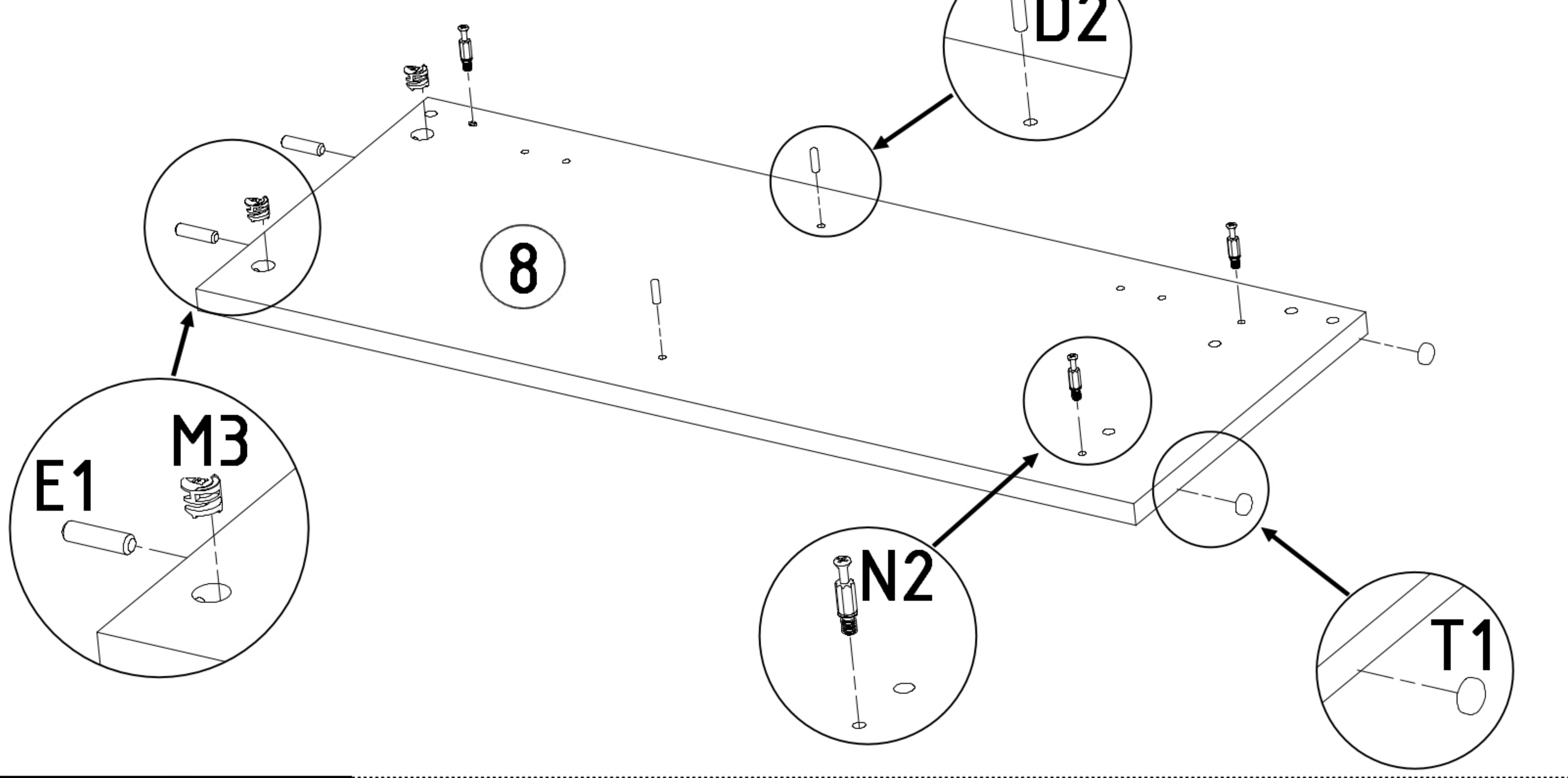


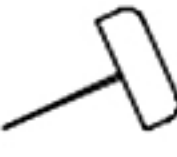

<b>F1</b>  <b>x 4</b>	<b>F3</b>  <b>x 1</b>
---	--

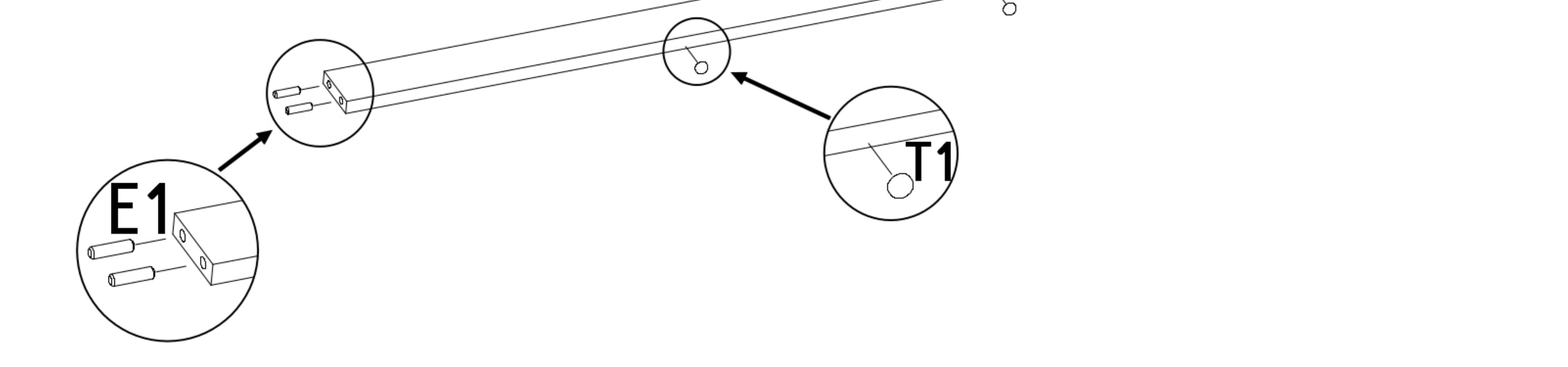







6

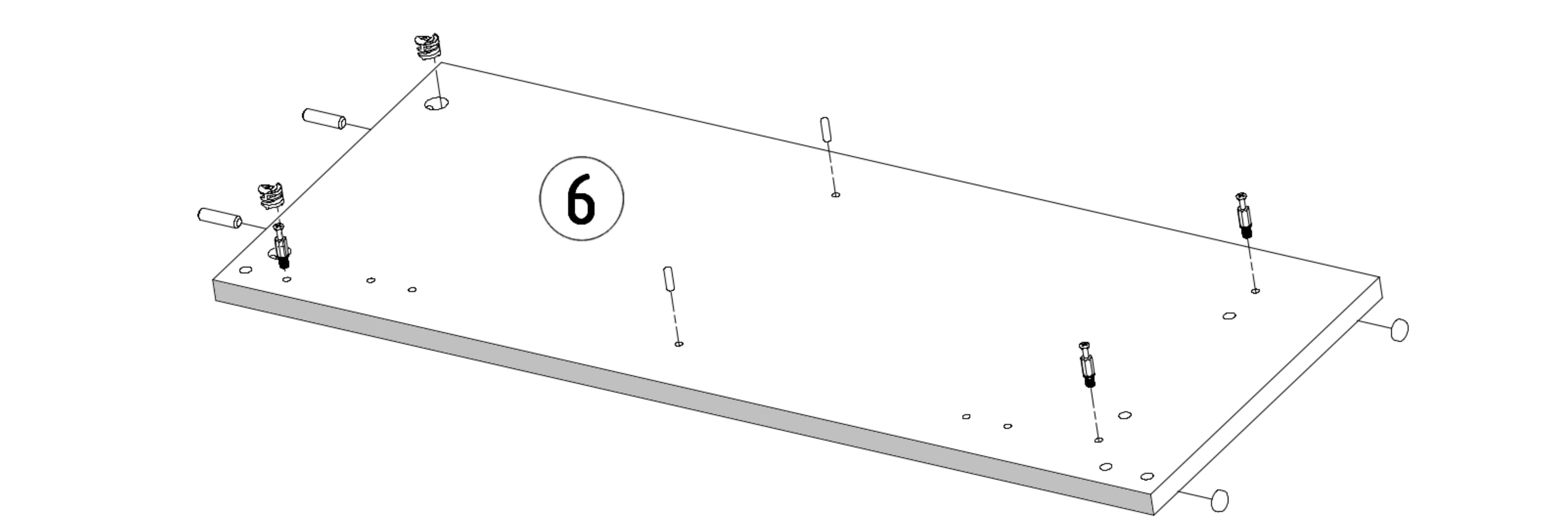
<b>N2</b>  x 3	<b>M3</b>  x 2	<b>E1</b>  x 2	<b>D2</b>  x 2	<b>T1</b>  x 2
--	---	---	---	--

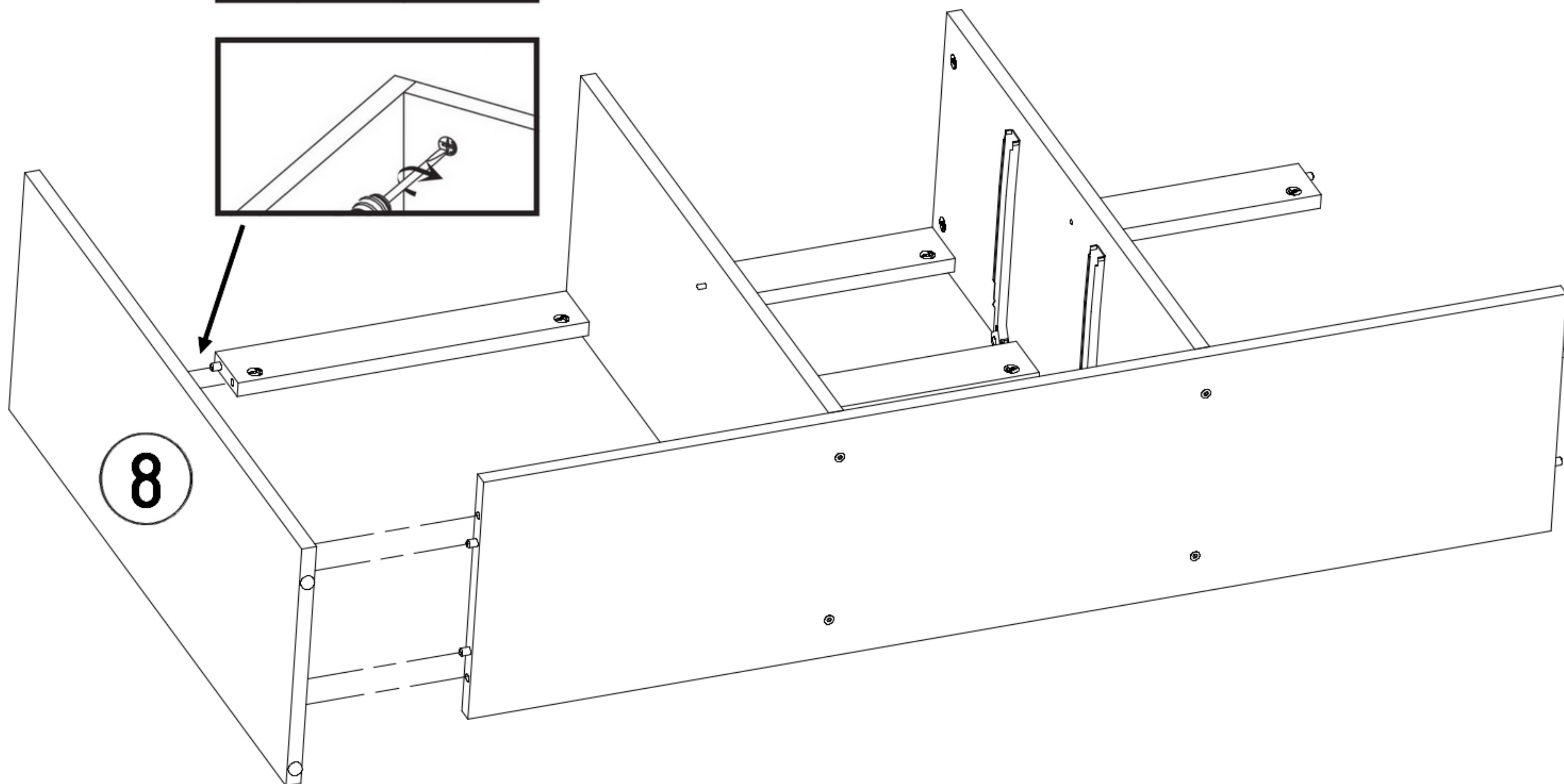
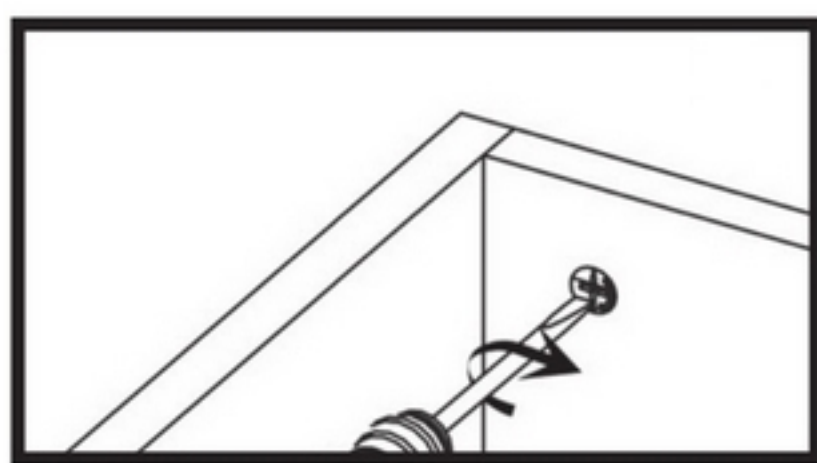
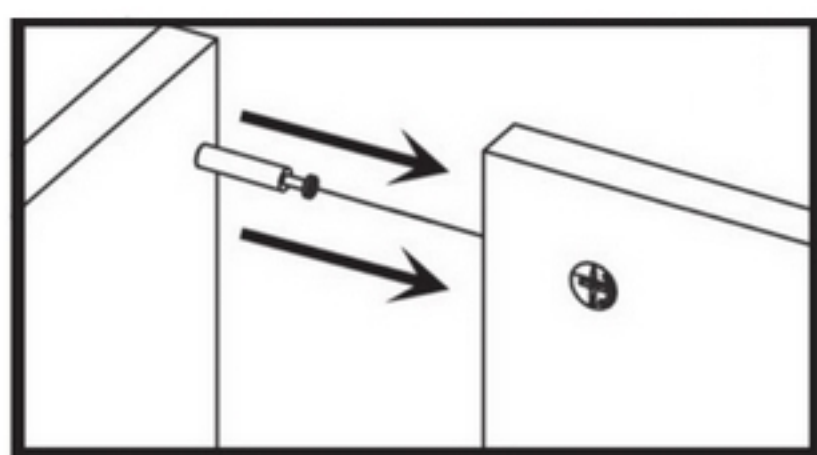


<b>T1</b>  x 2	<b>E1</b>  x 4
--	---

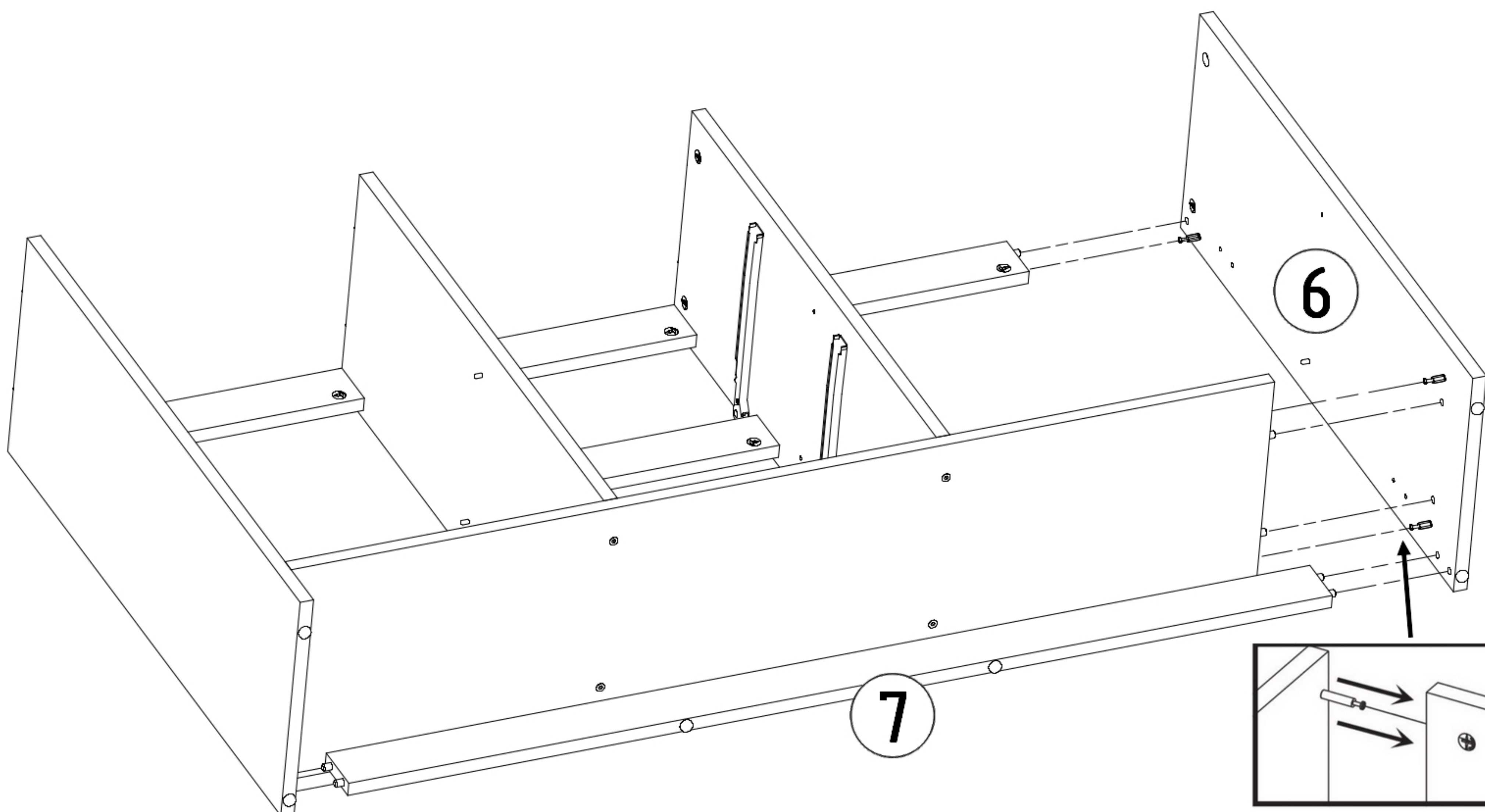


<b>N2</b>  x 3	<b>M3</b>  x 2	<b>E1</b>  x 2	<b>D2</b>  x 2	<b>T1</b>  x 2
--	---	---	---	--



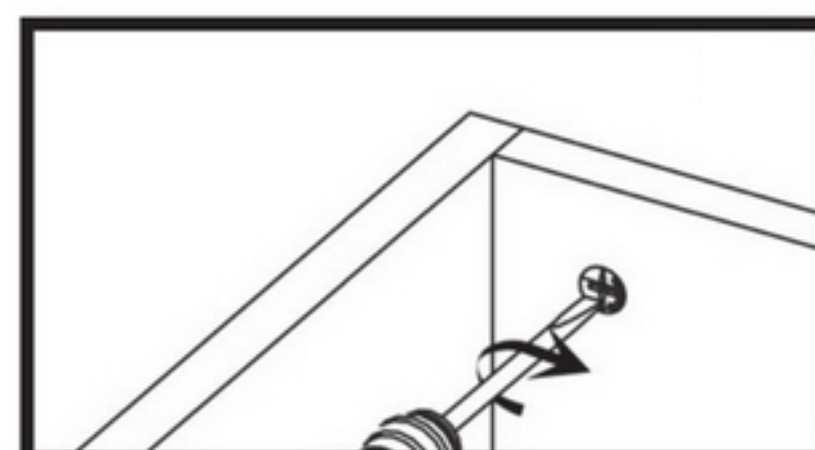
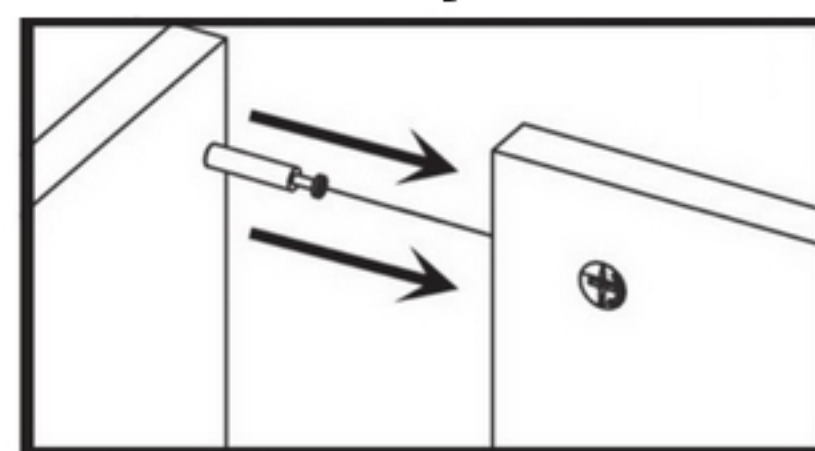


8

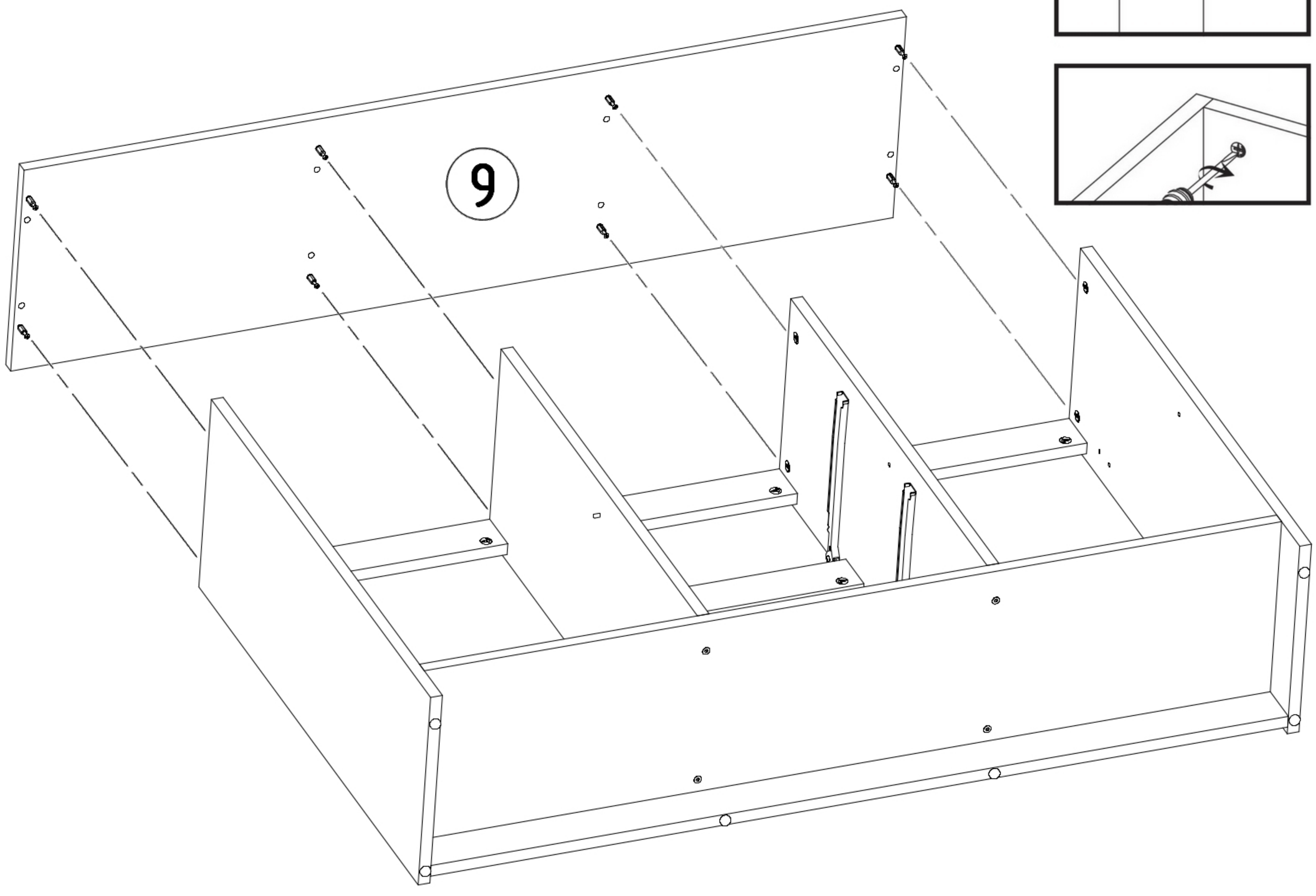
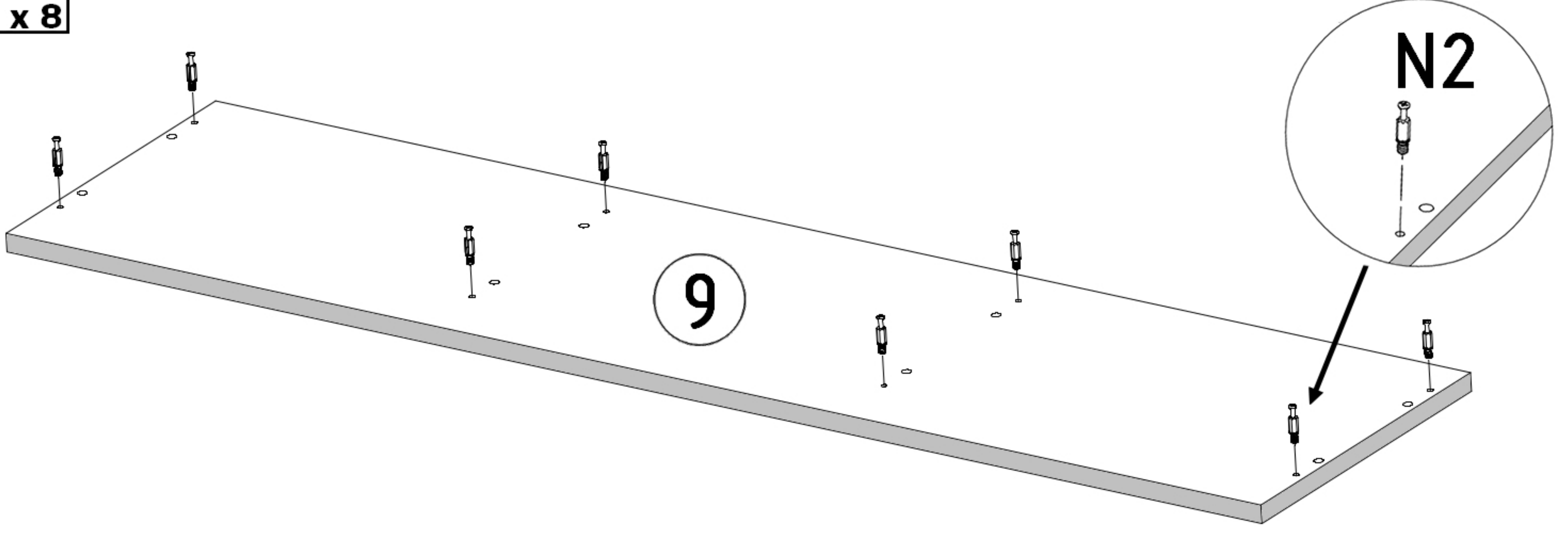
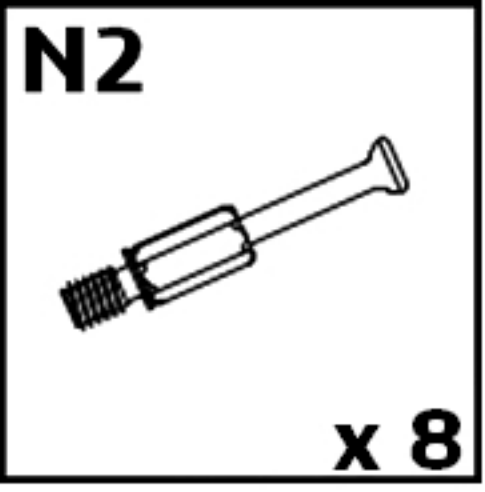







6

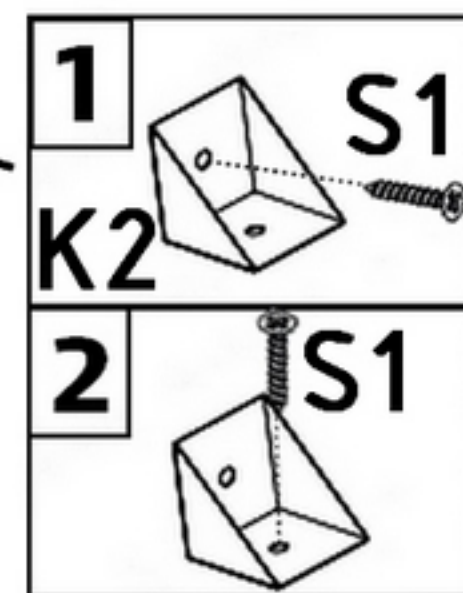
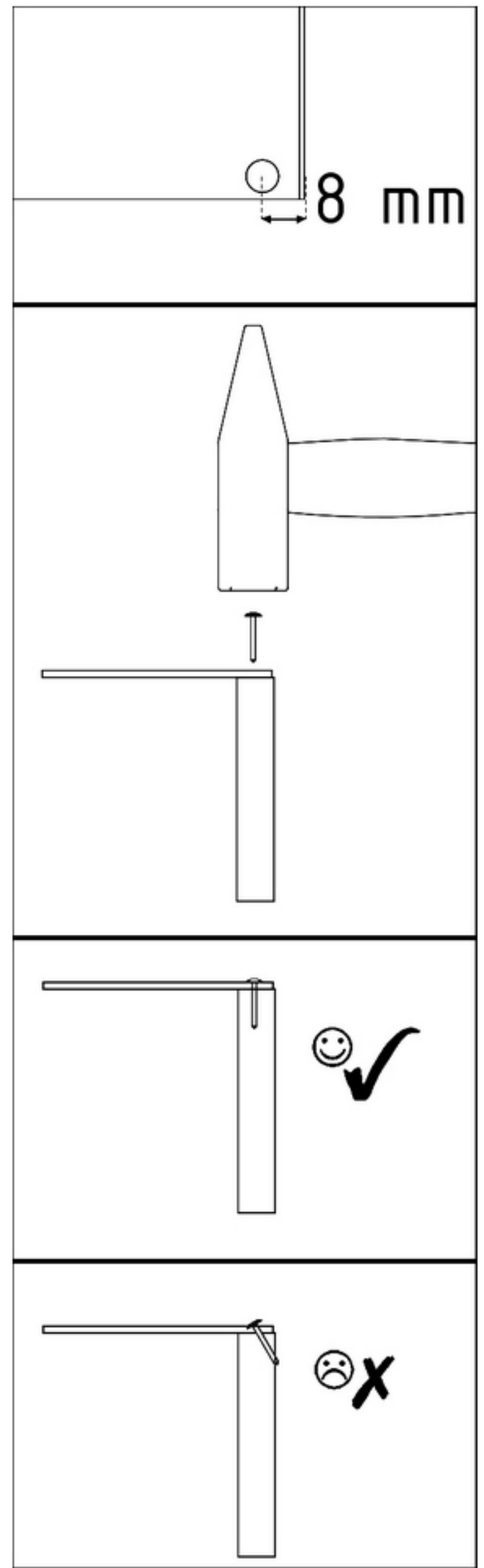
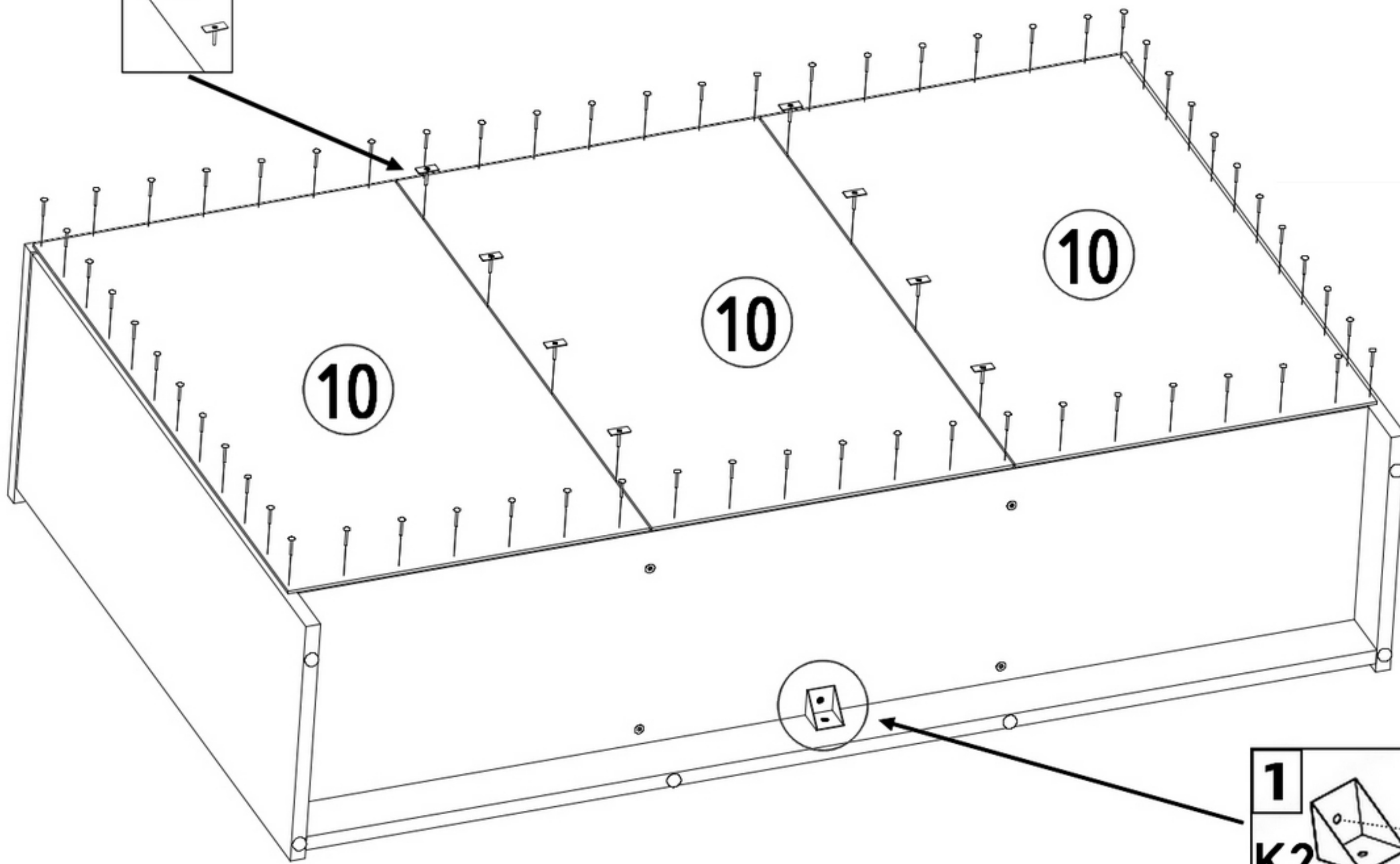
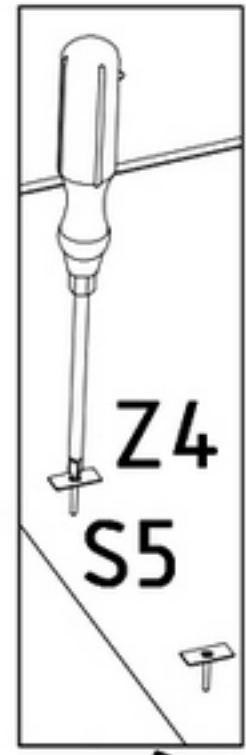
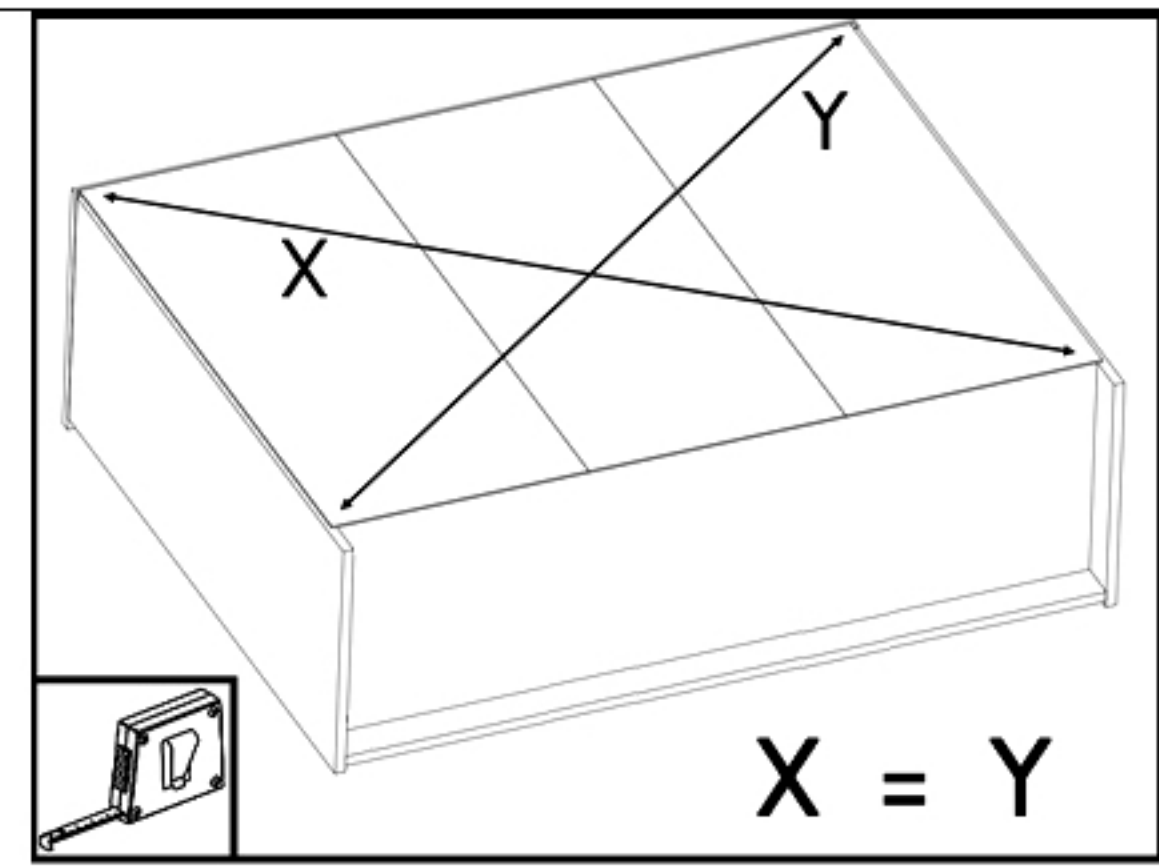
7





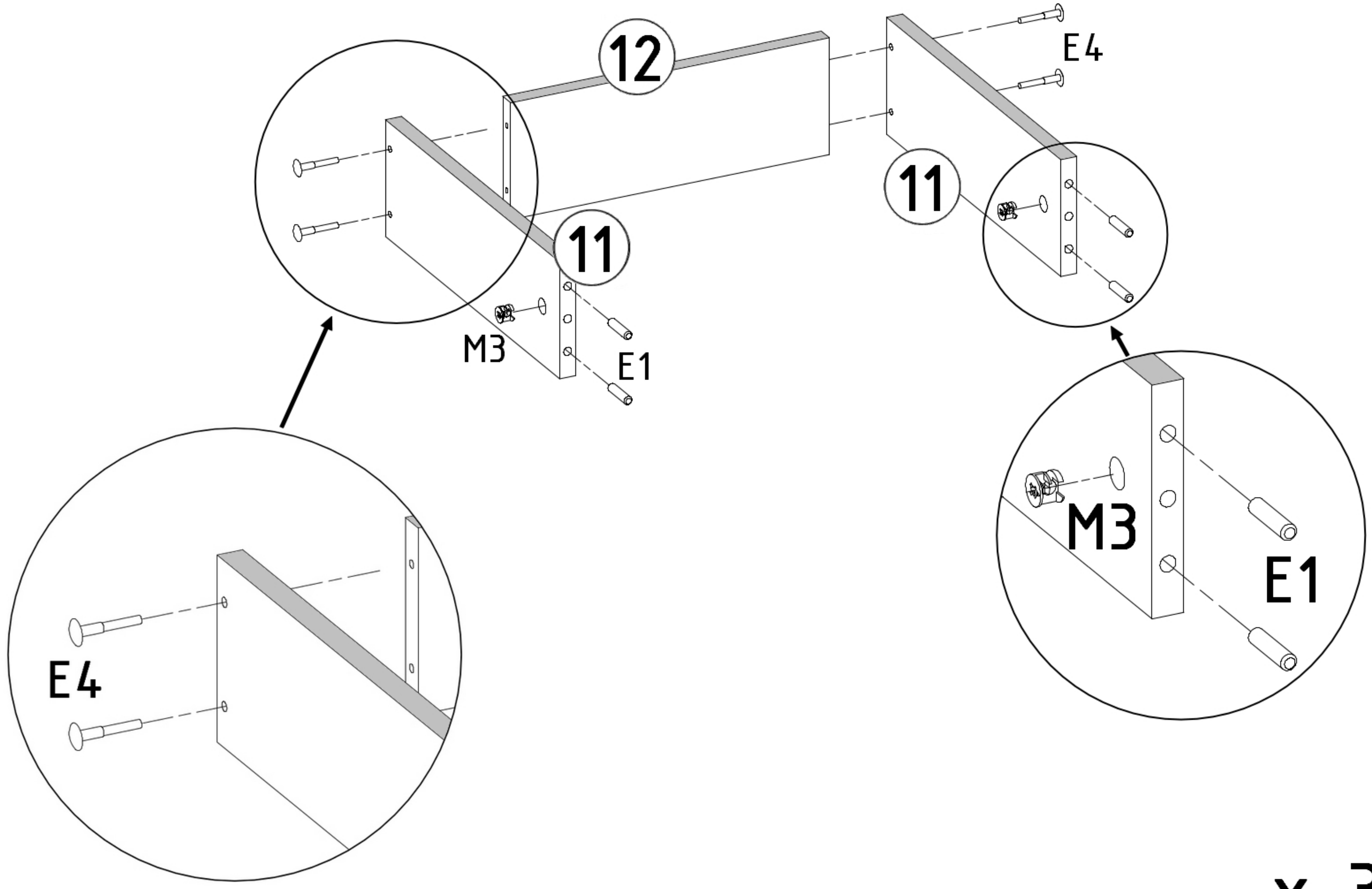



<b>S5</b>  x 8	<b>Z4</b>  x 8	<b>Z2</b>  x 55	<b>S1</b>  x 2	<b>K2</b>  x 1
---	---	--	---	--

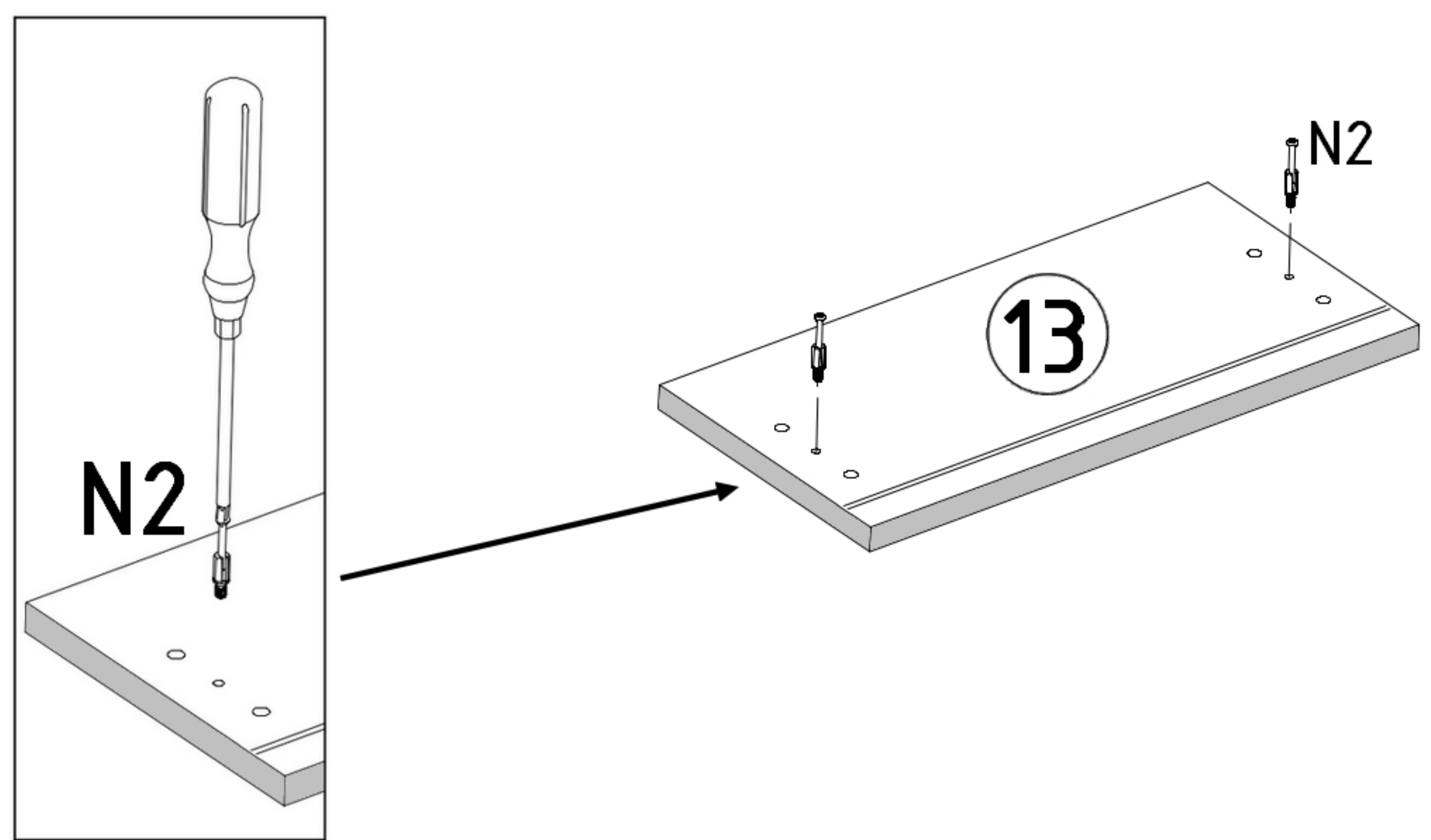


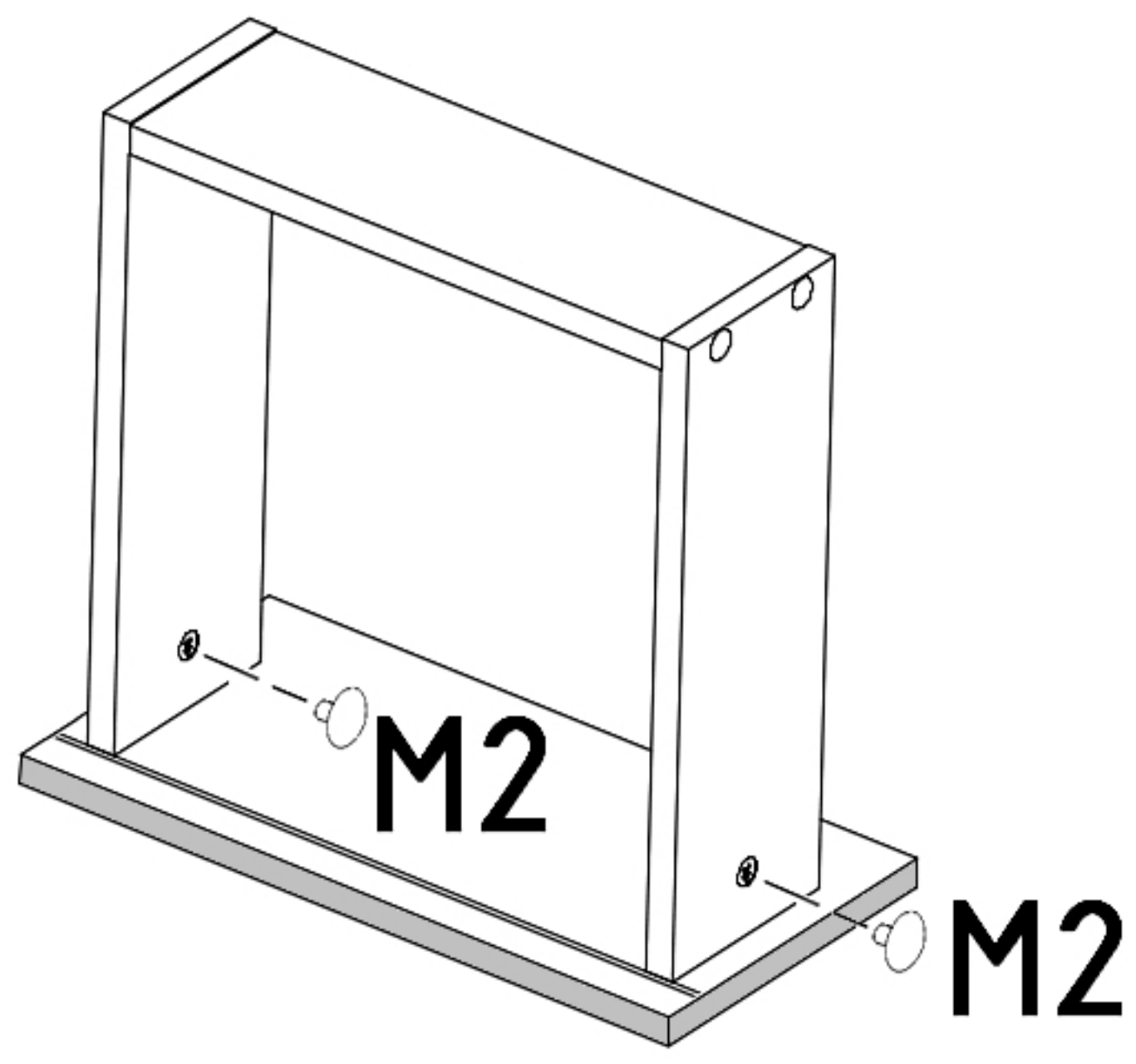
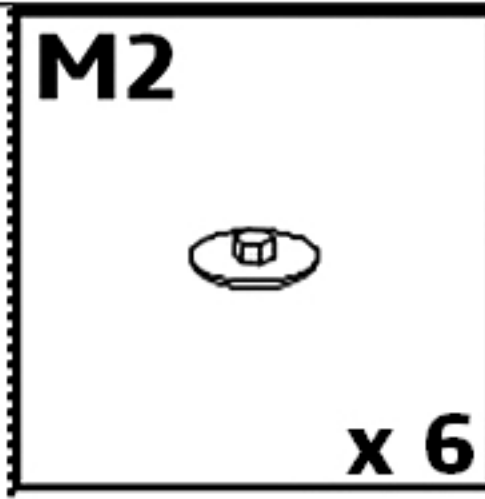
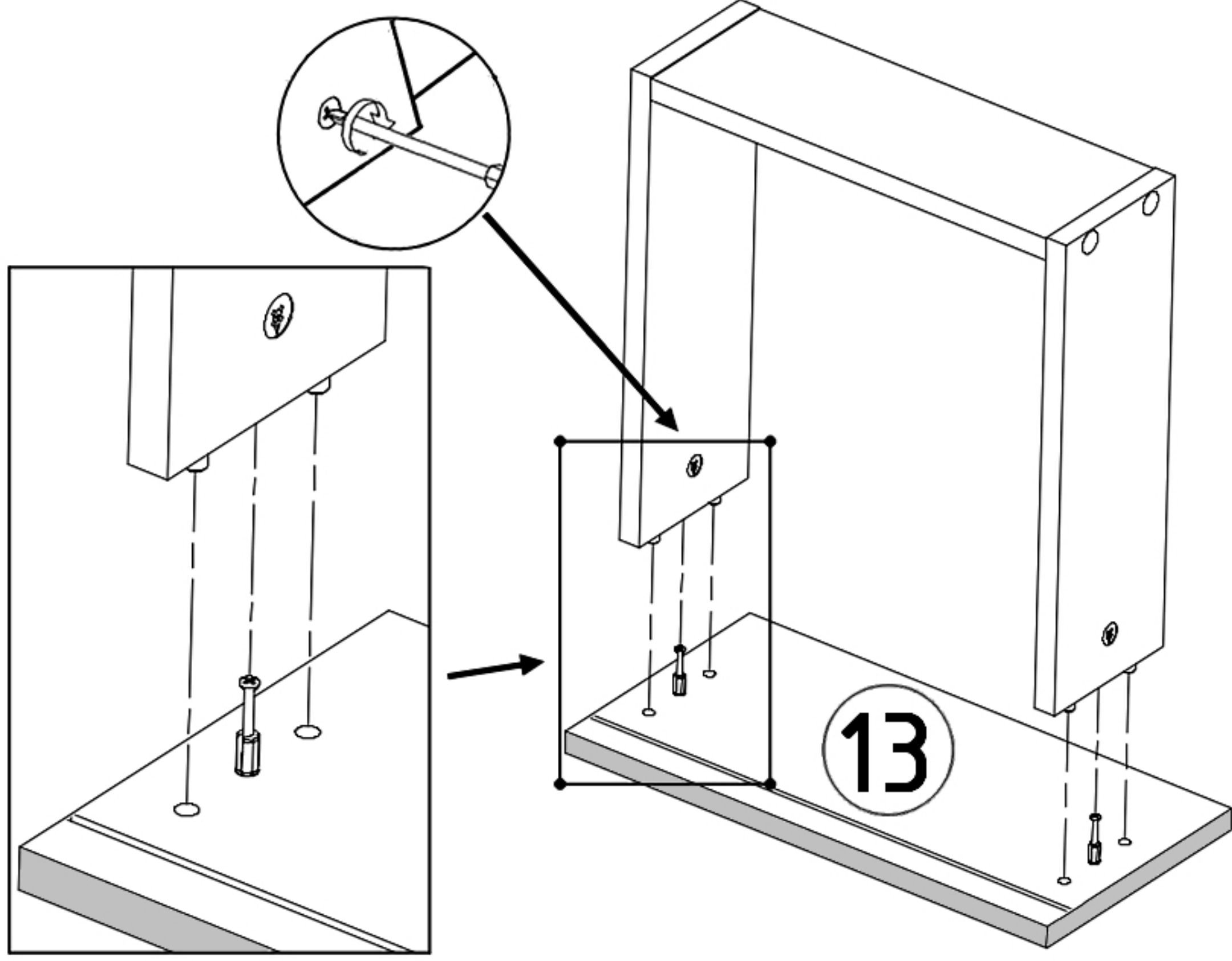


<b>E1</b>  x 12	<b>M3</b>  x 6	<b>E4</b>  x 12
---	---	--



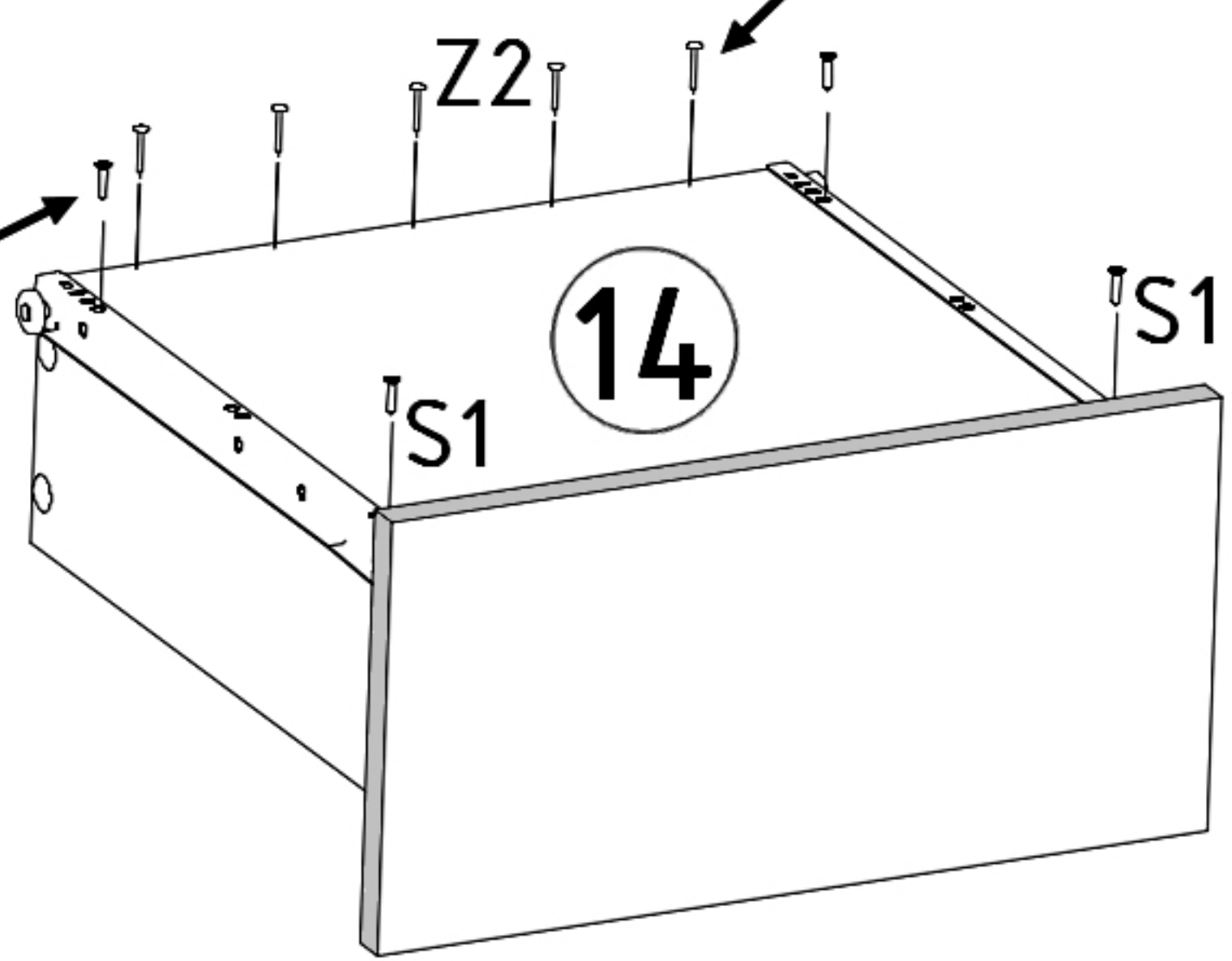
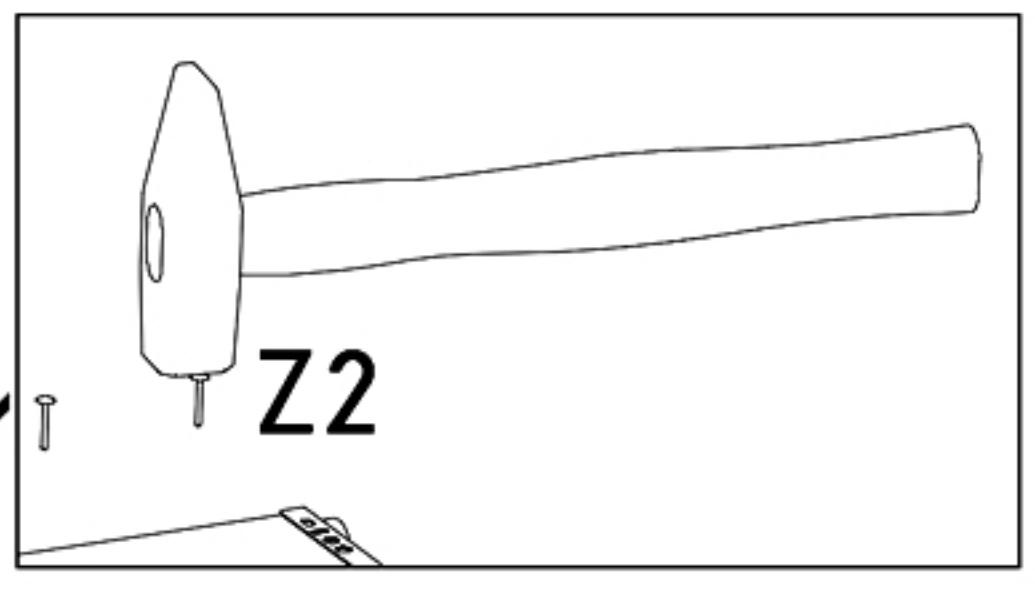
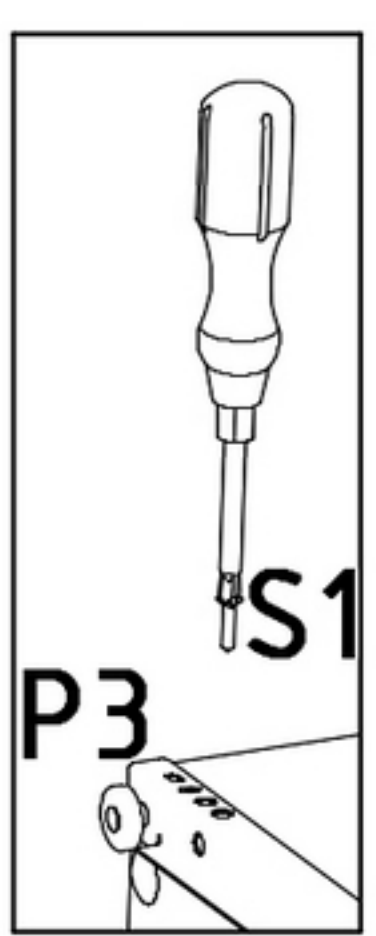
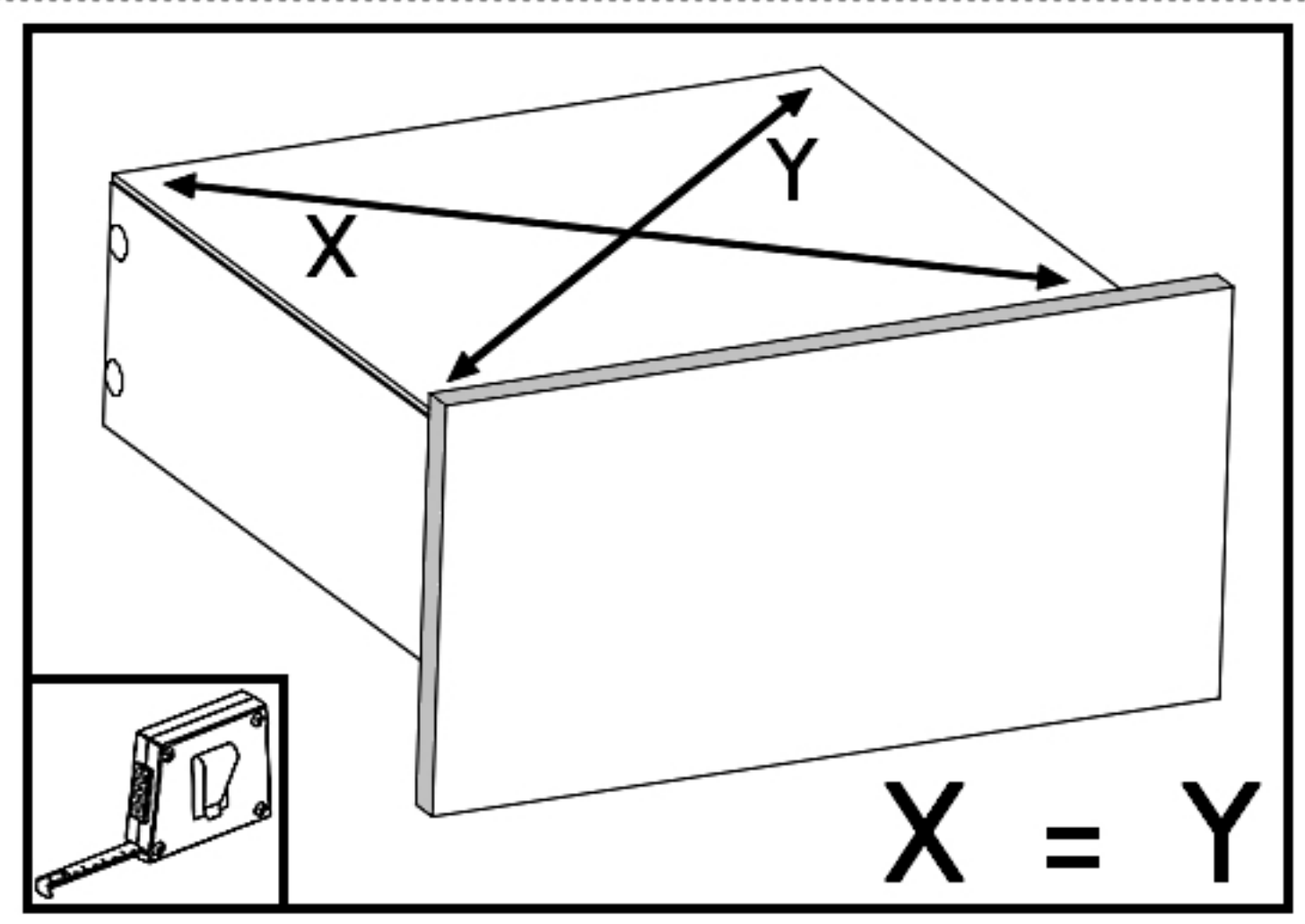
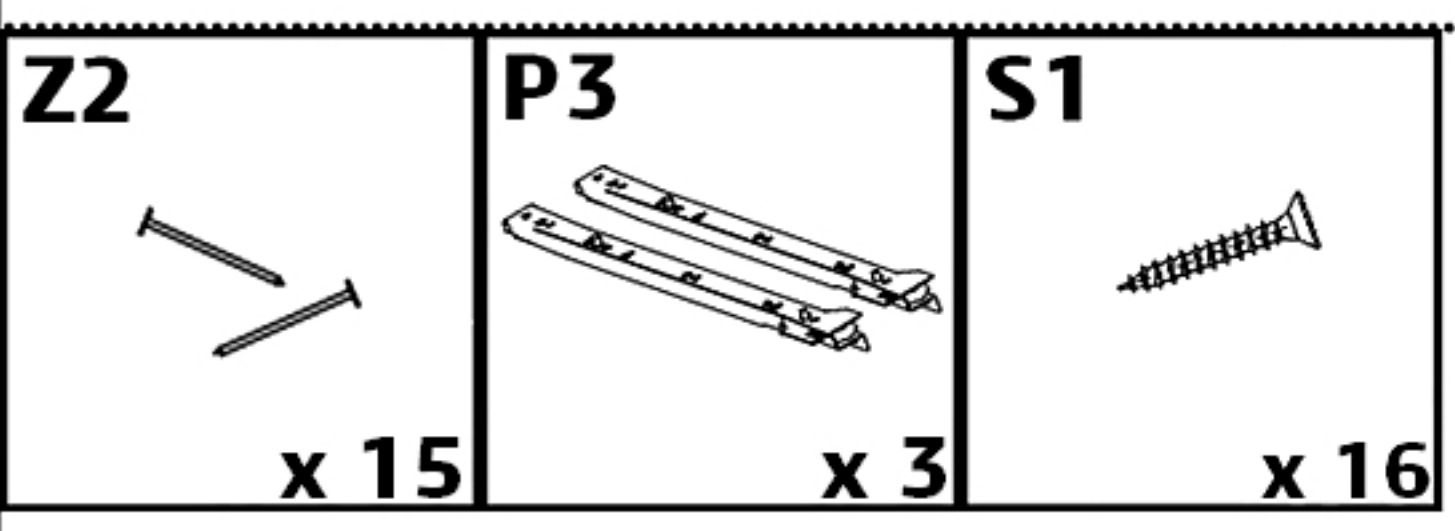
<b>N2</b>  x 6
--






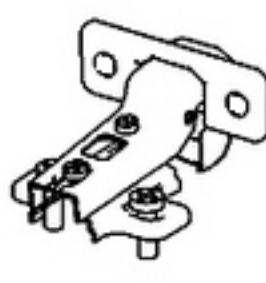
x 3

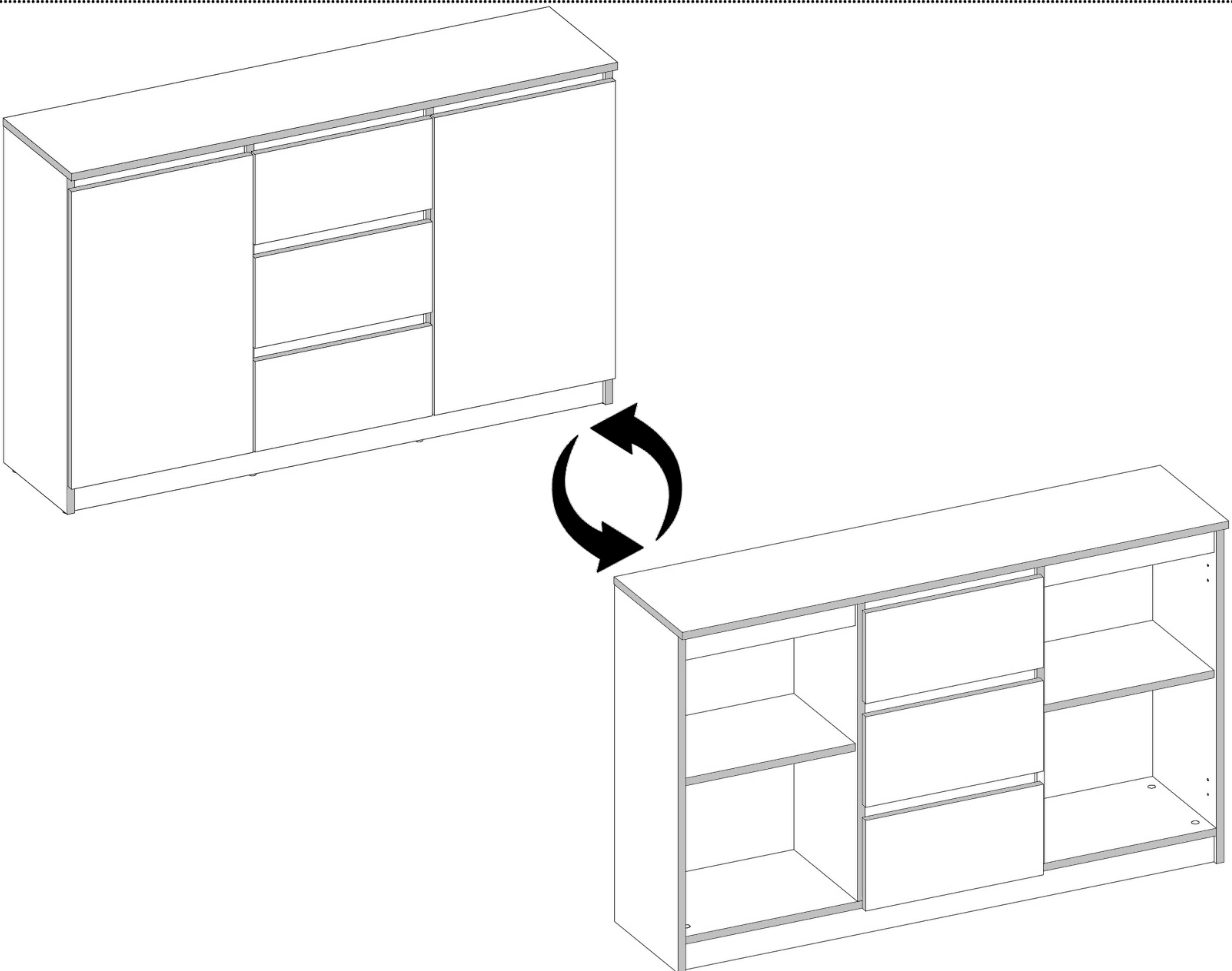
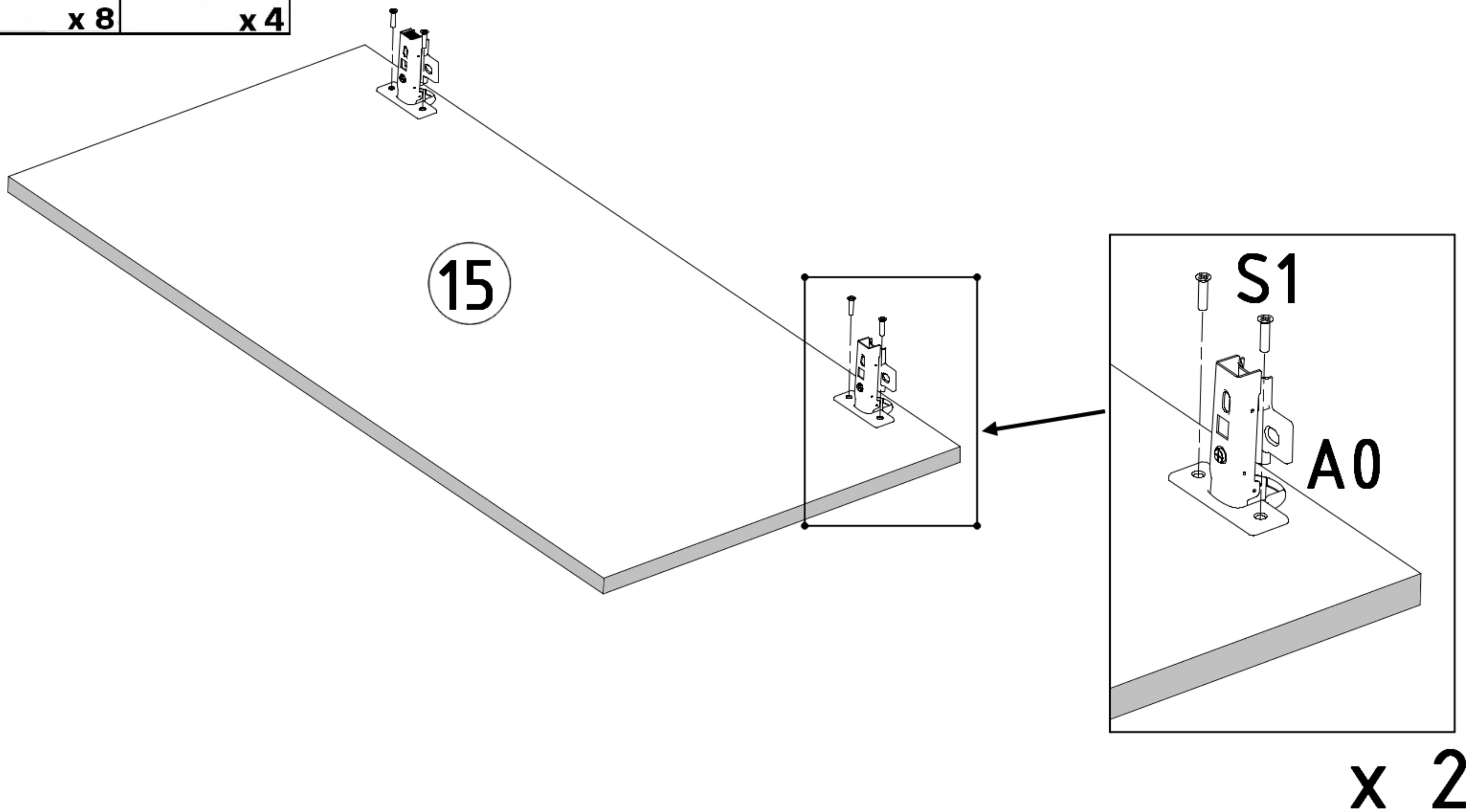
x 3



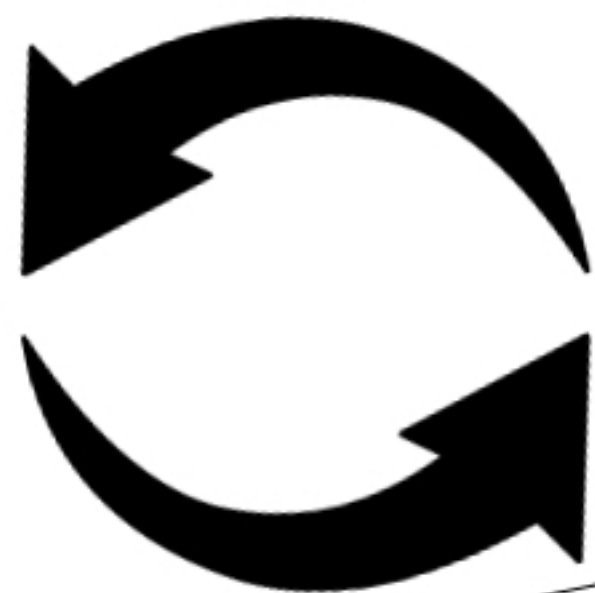
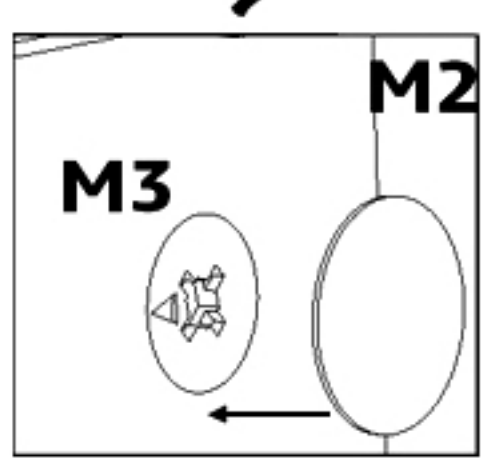
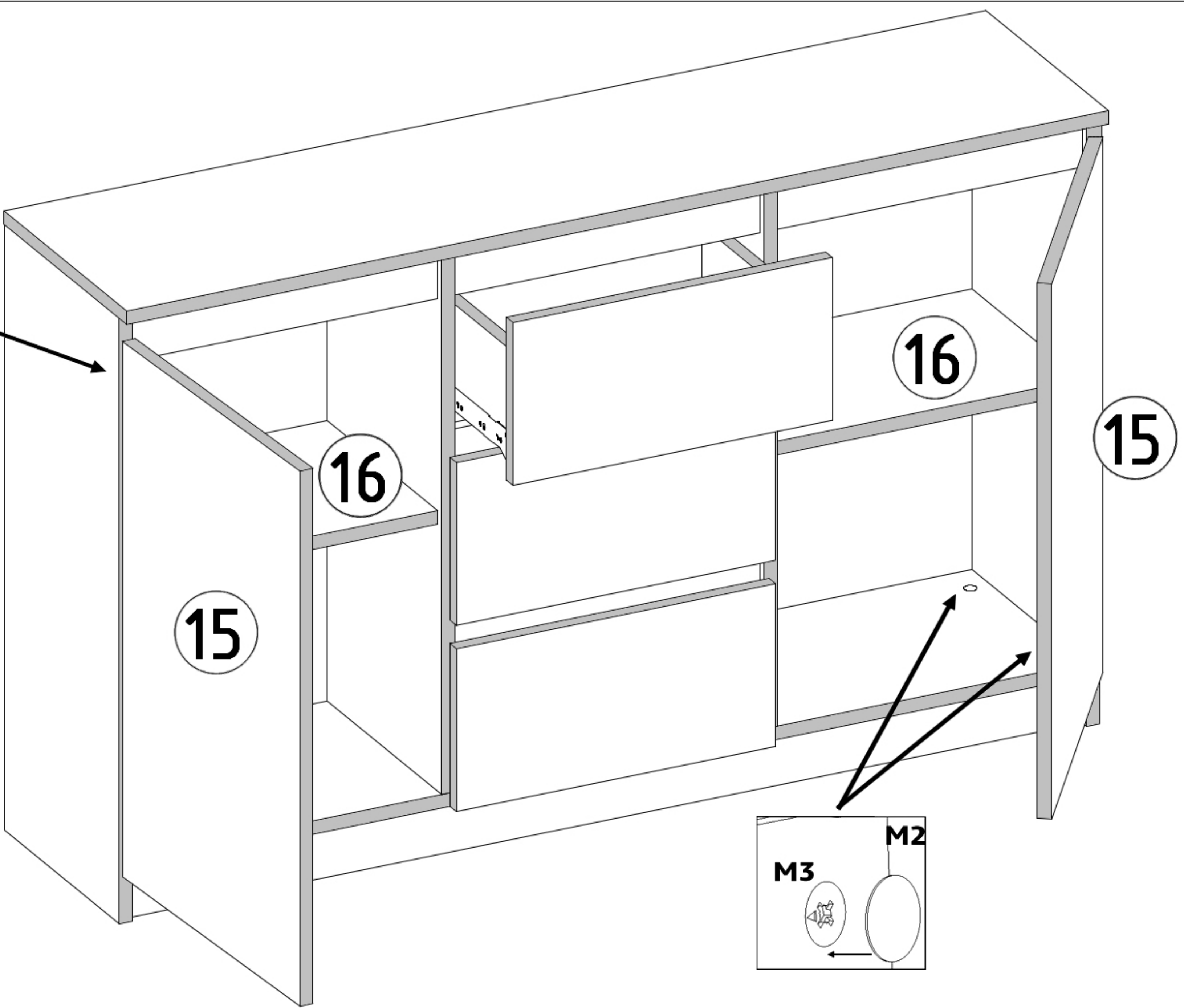
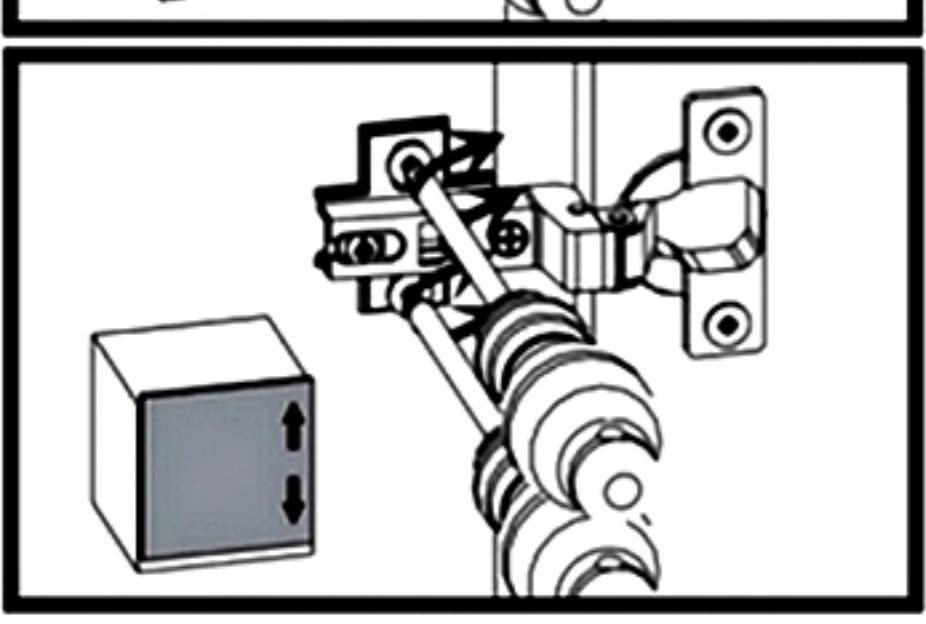
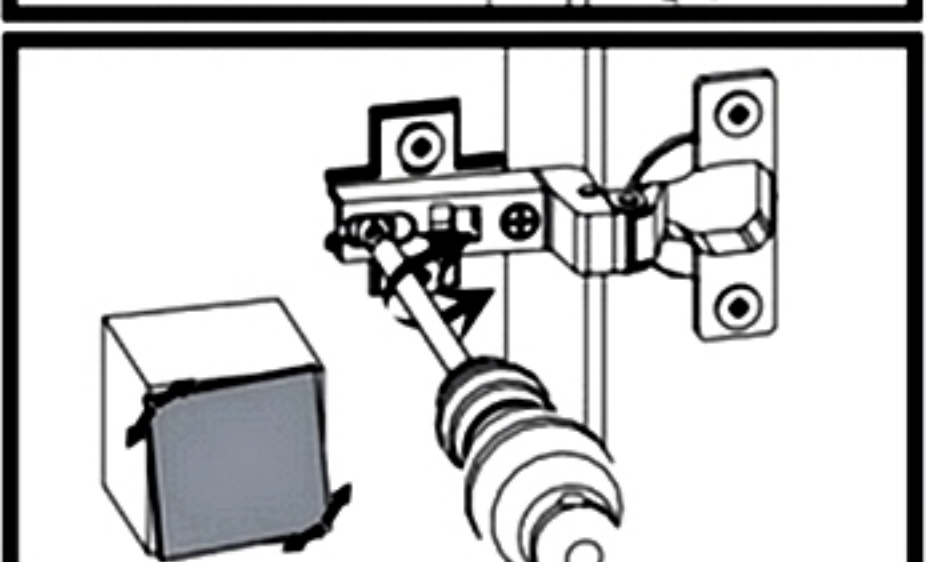
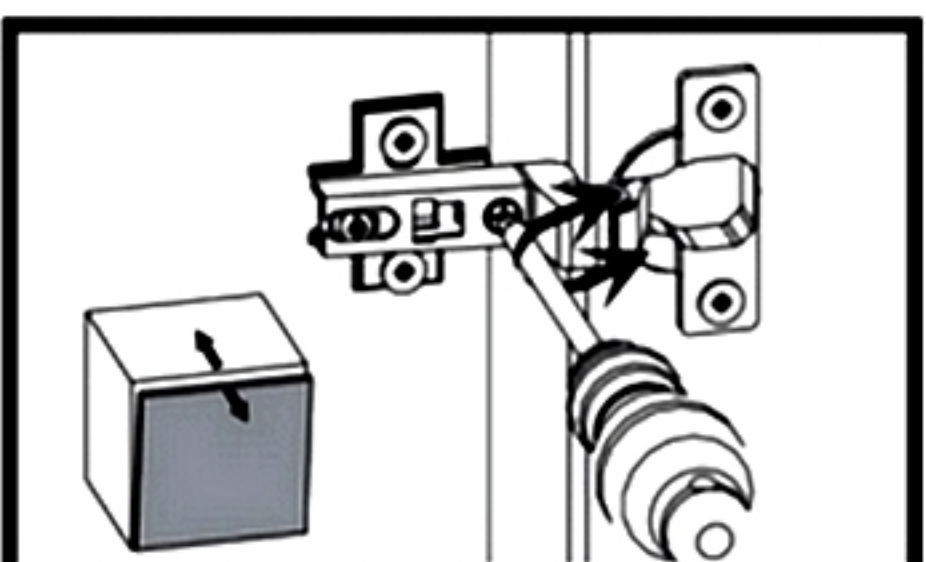
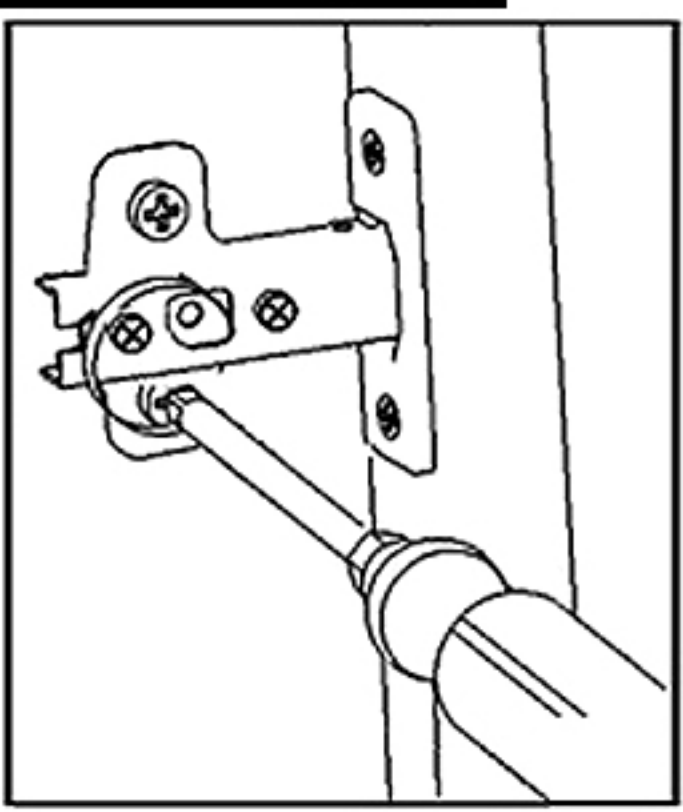
x 3



<b>S1</b>  <b>x 8</b>	<b>A0</b>  <b>x 4</b>
--	--



**M2**  
x 4



**F5**  
ø8mm x 8

