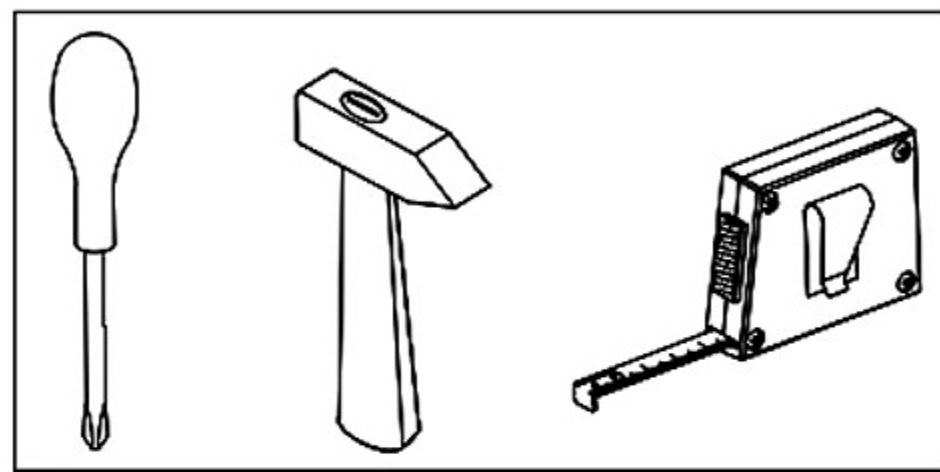
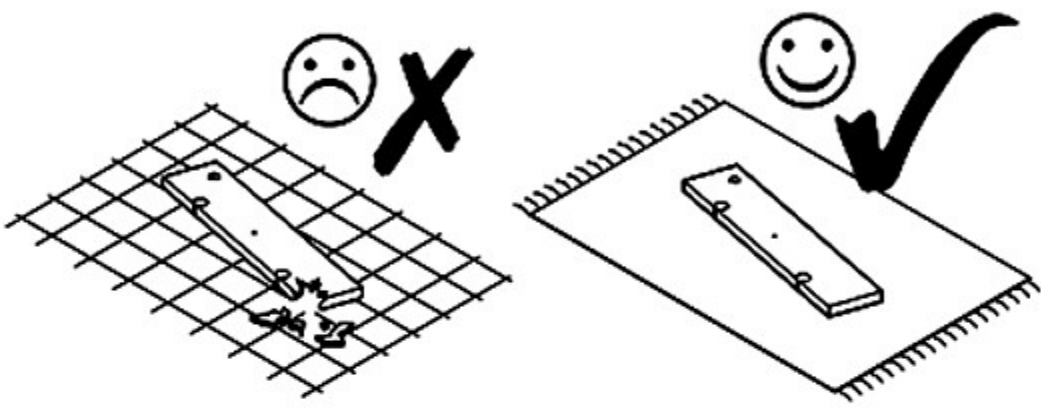
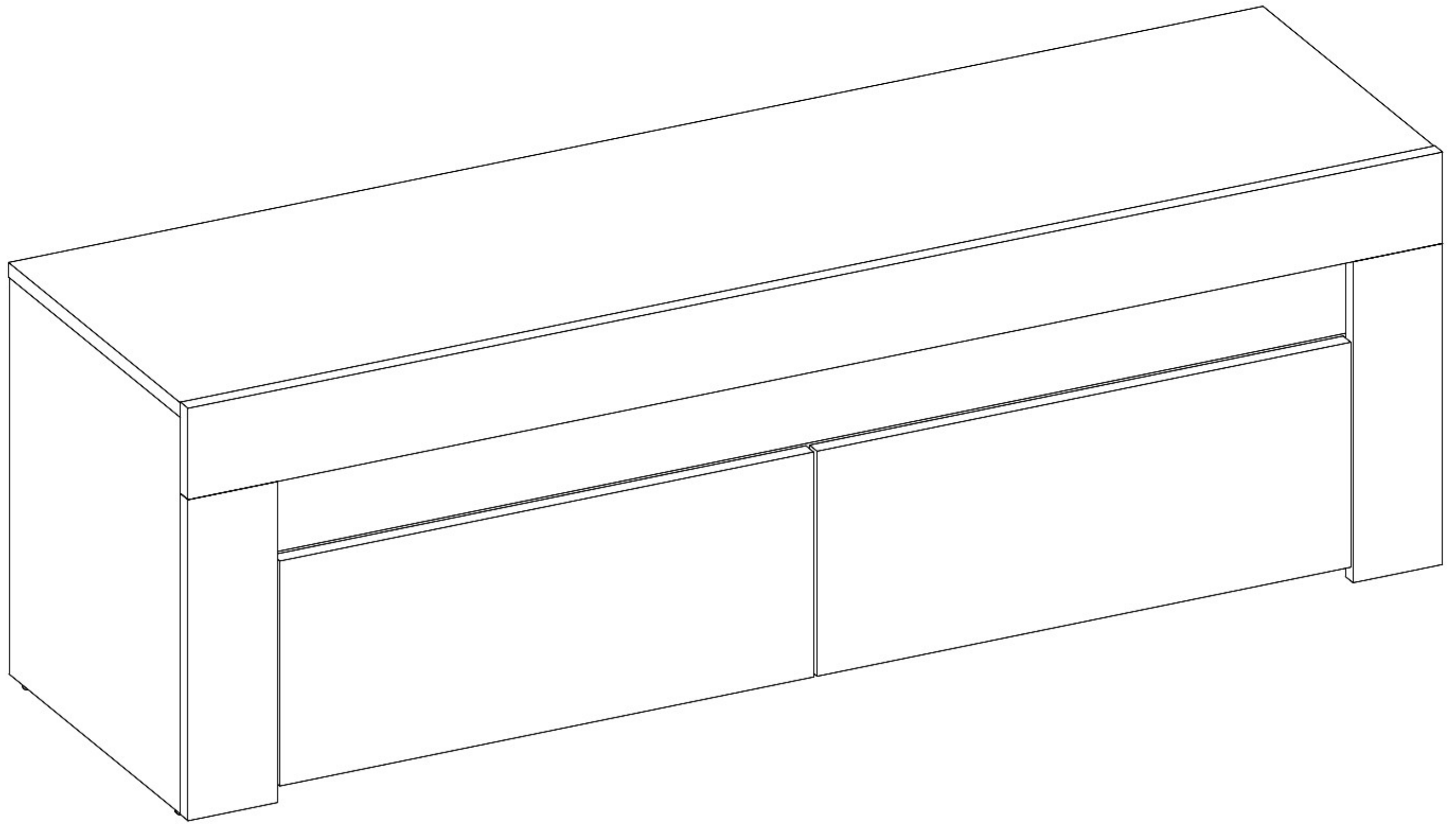

















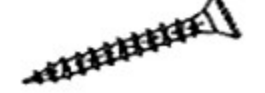
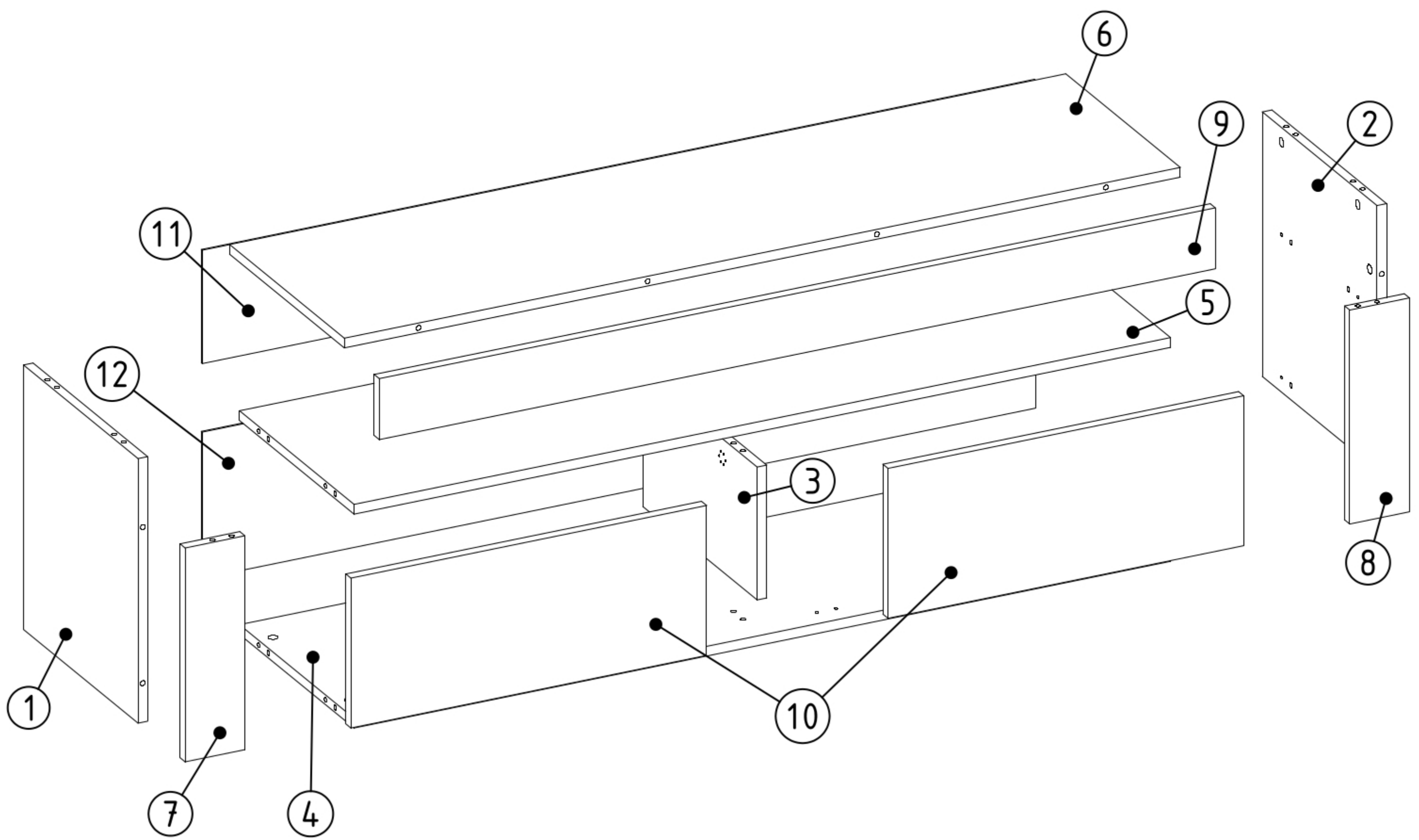


25.06.2021

# RTV DEKO 2D



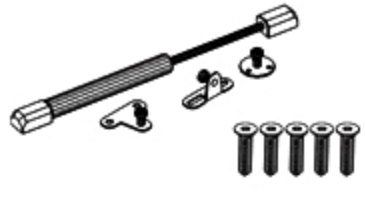


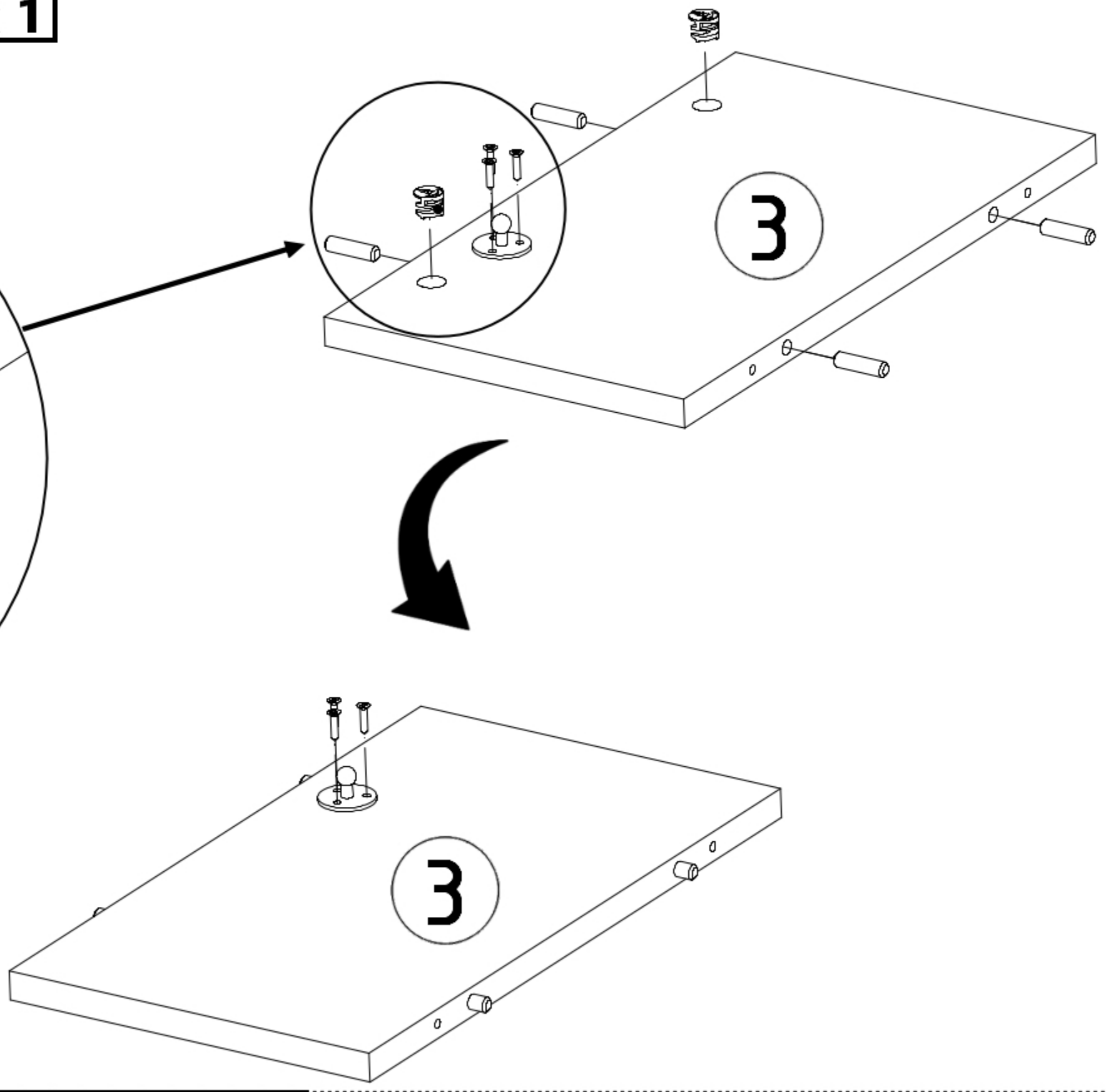
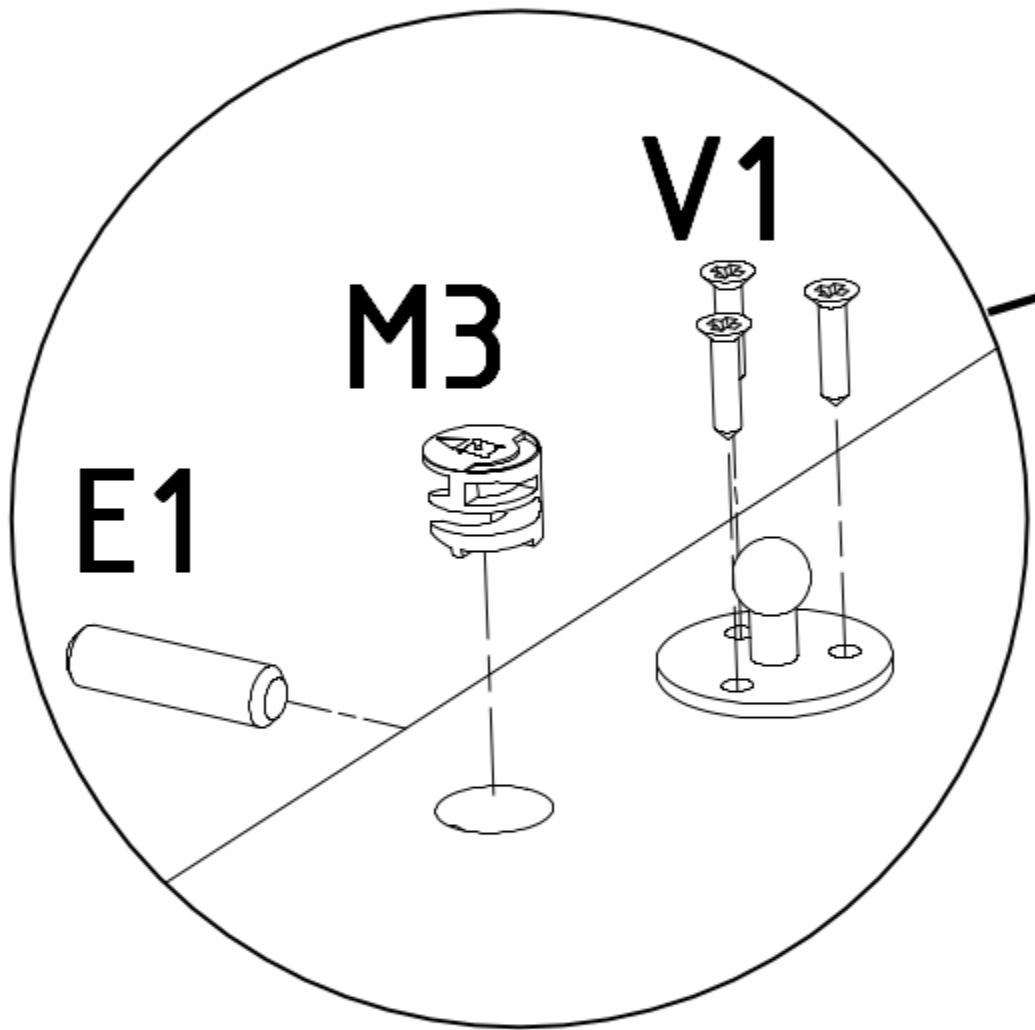
<b>S5</b>  2,5x20 x 8	<b>Z4</b>  x 8						
<b>N2</b>  L=34 mm x 22	<b>M3</b>  12x15 mm x 26	<b>A0</b>  ZP x 4	<b>S1</b>  3,5x16 x 12	<b>N3</b>  L=46 mm x 2	<b>E3</b>  8x50 x 2	<b>E1</b>  8x30 x 16	<b>T3</b>  x 2
<b>T1</b>  x 6	<b>F2</b>  7x50 mm x 2	<b>Z2</b>  x 70	<b>K1</b>  x 1	<b>M2</b>  x 6	<b>V1</b>  x 2	<b>T3</b>  x 2	<b>S8</b>  3,5x25 x 2




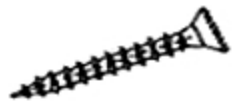


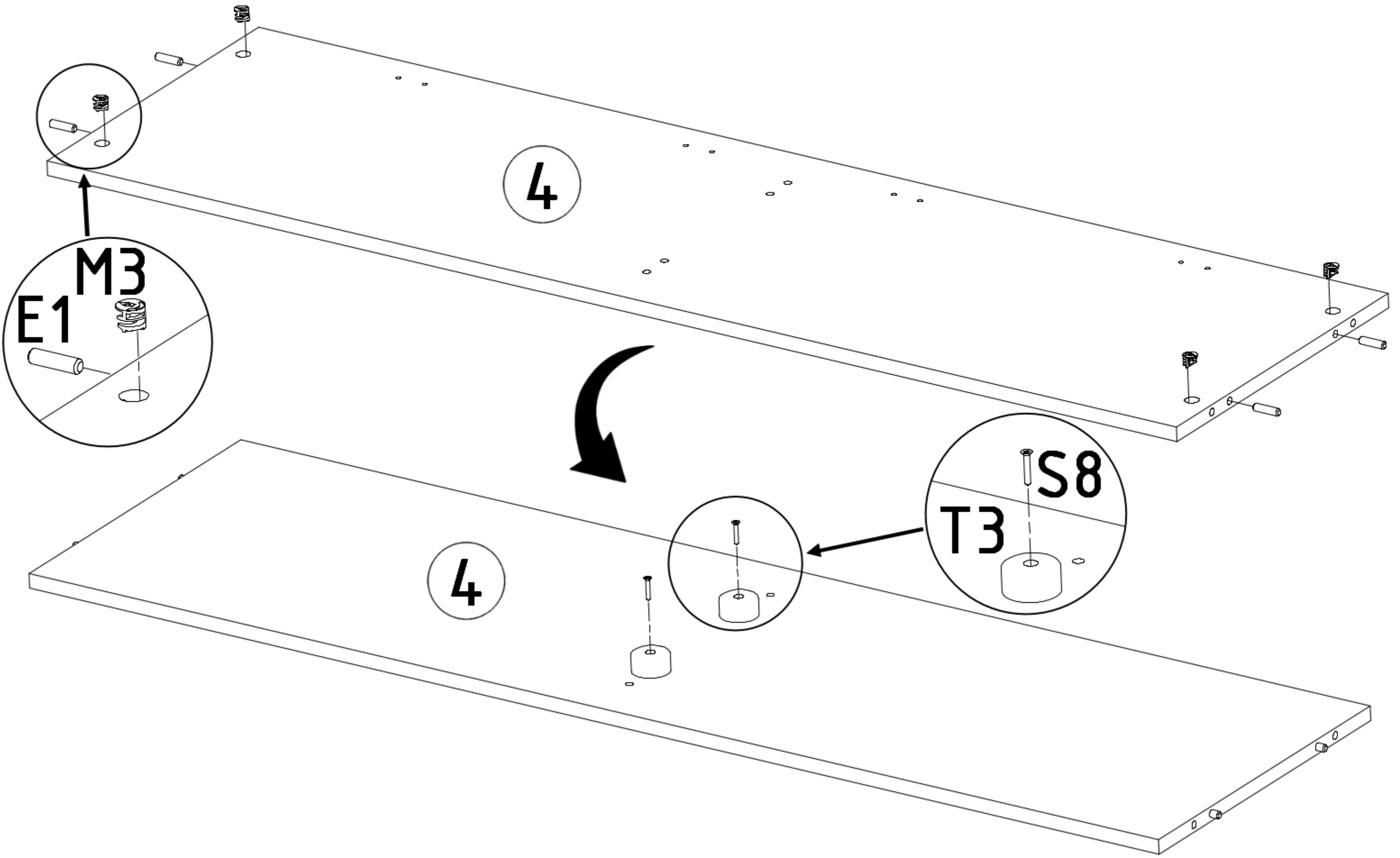
<b>1</b>	x	1
<b>2</b>	x	1
<b>3</b>	x	1
<b>4</b>	x	1
<b>5</b>	x	1
<b>6</b>	x	1

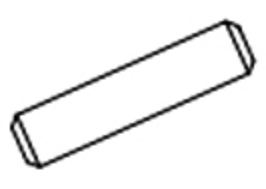

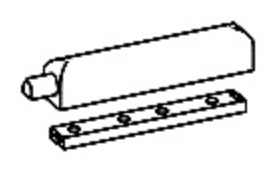


<b>7</b>	x	1
<b>8</b>	x	1
<b>9</b>	x	1
<b>10</b>	x	2
<b>11</b>	x	1
<b>12</b>	x	1

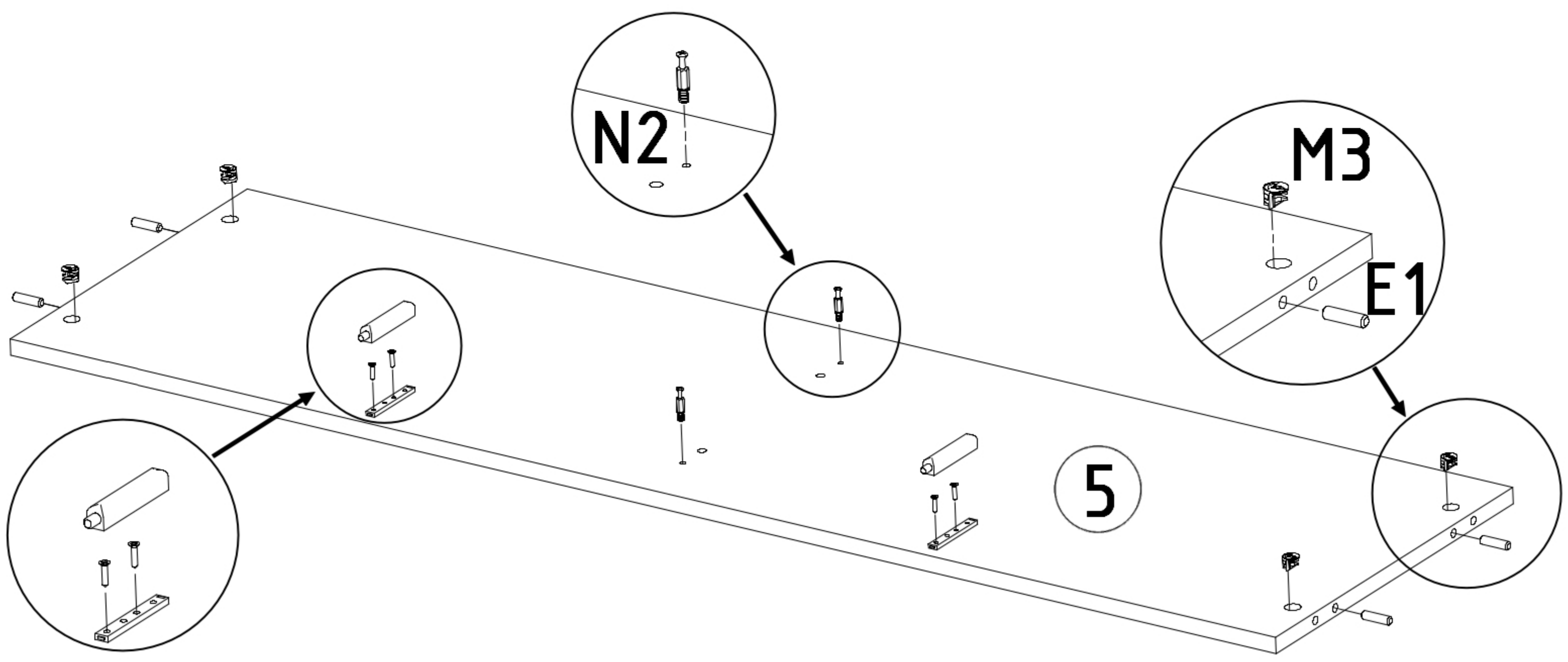
<b>E1</b>  x 4	<b>M3</b>  x 2	<b>V1</b>  x 1
--	---	---

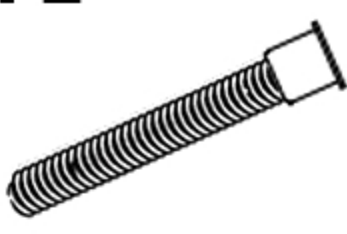
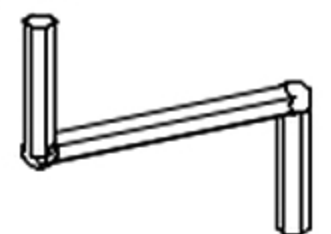


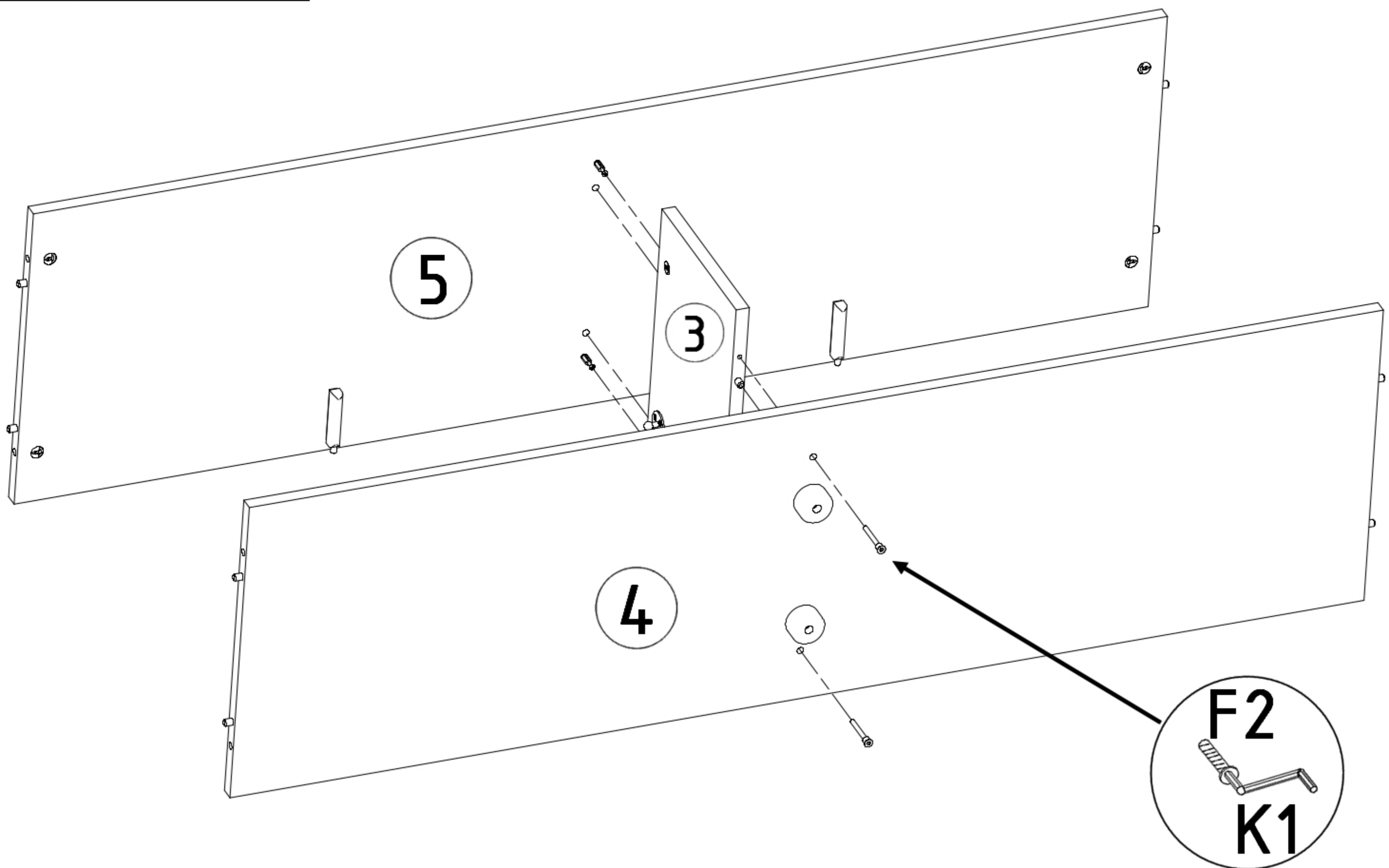
<b>E1</b>  x 4	<b>M3</b>  x 4	<b>T3</b>  x 2	<b>S8</b>  3,5x25 x 2
--	---	---	--

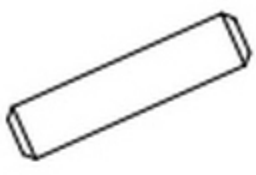





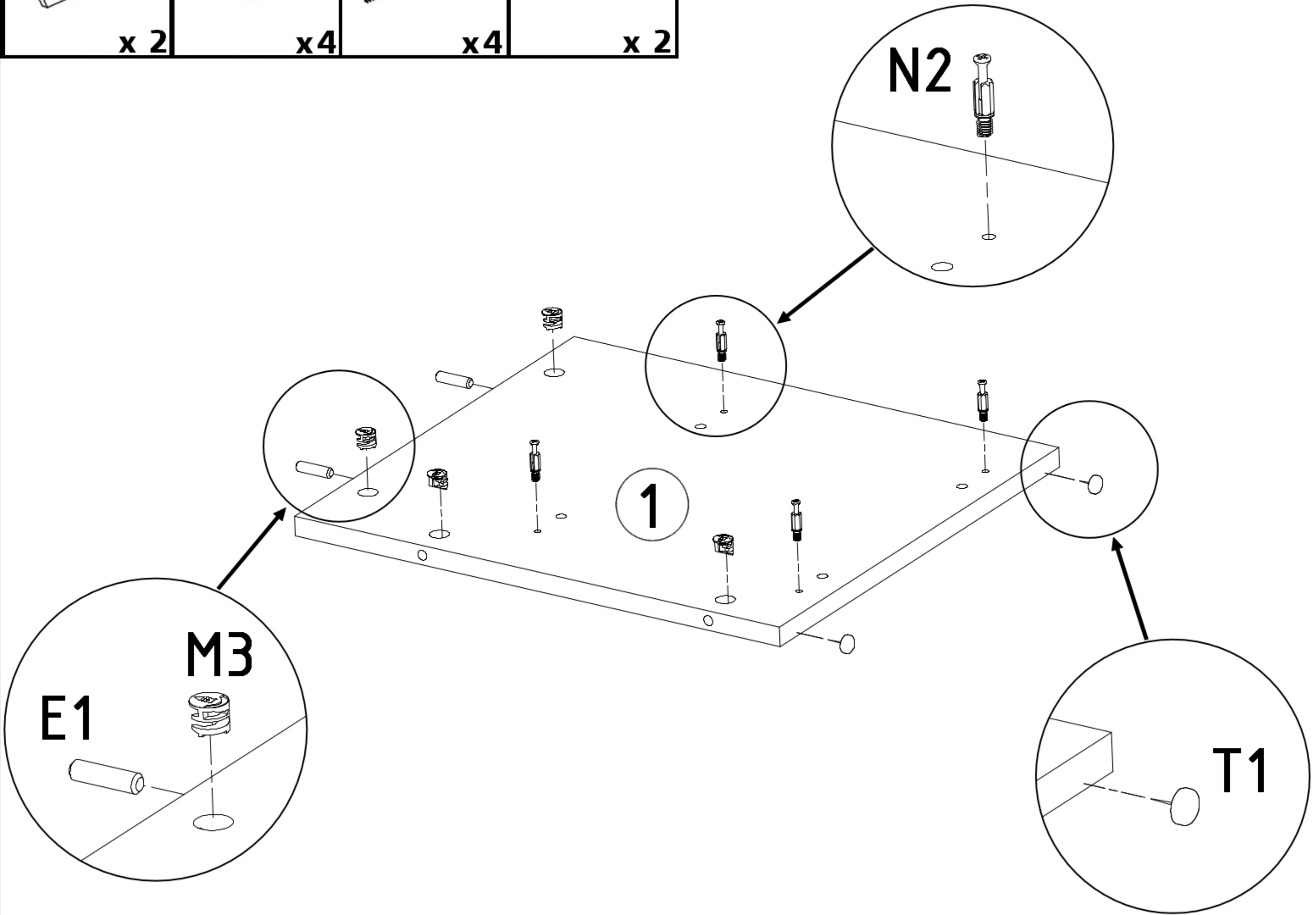
<b>E1</b>  x 4	<b>M3</b>  x 4	<b>T3</b>  x 2	<b>S1</b>  3,5x16 x 4	<b>N2</b>  x 2
--	---	---	--	---

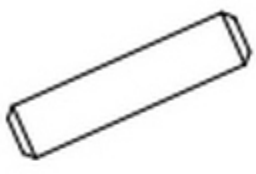

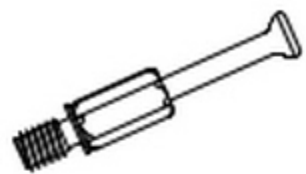



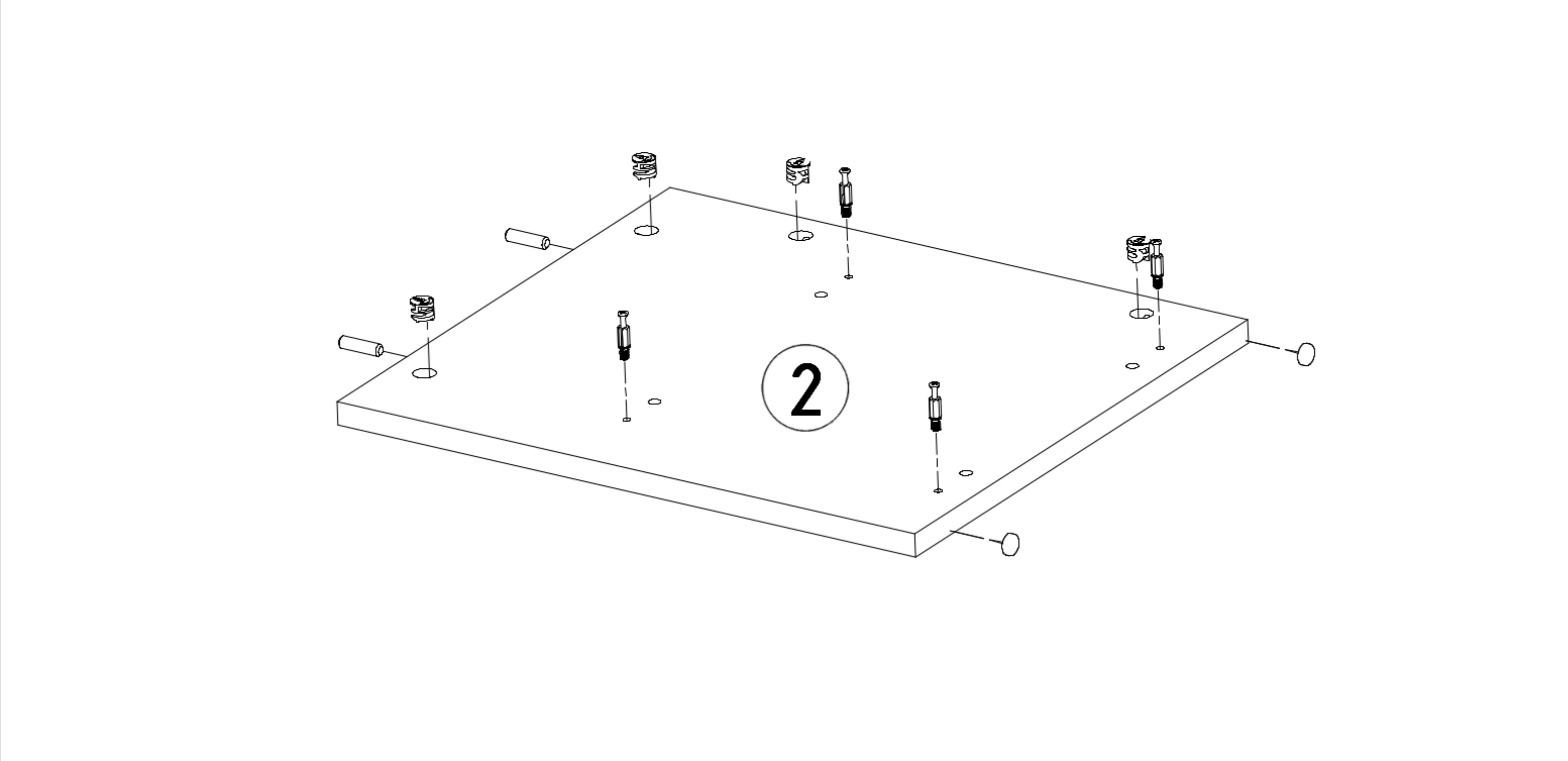
<b>F2</b>  x 2	<b>K1</b>  x 1
--	---

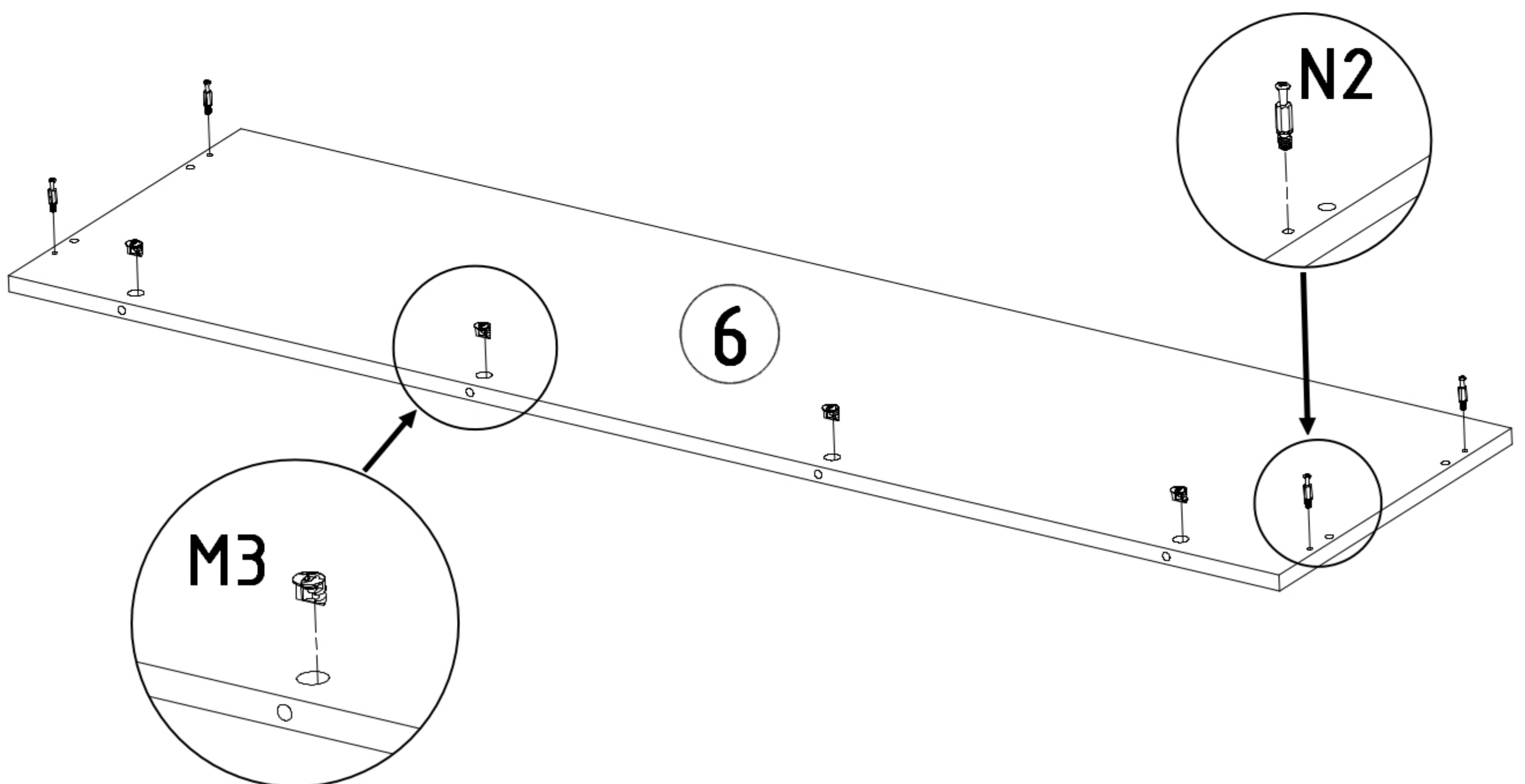
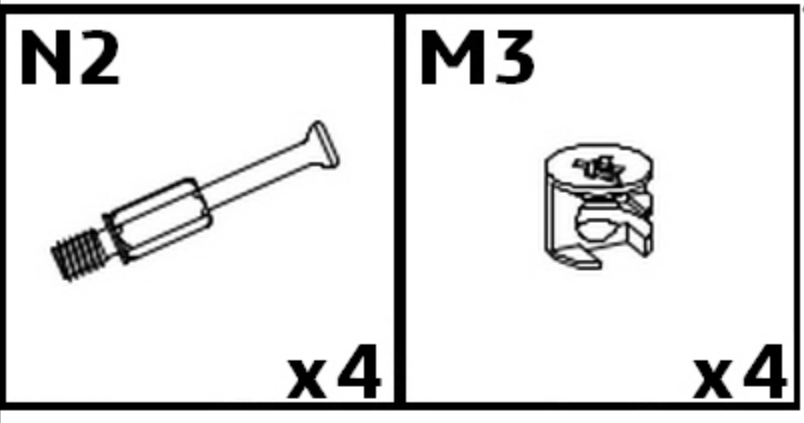
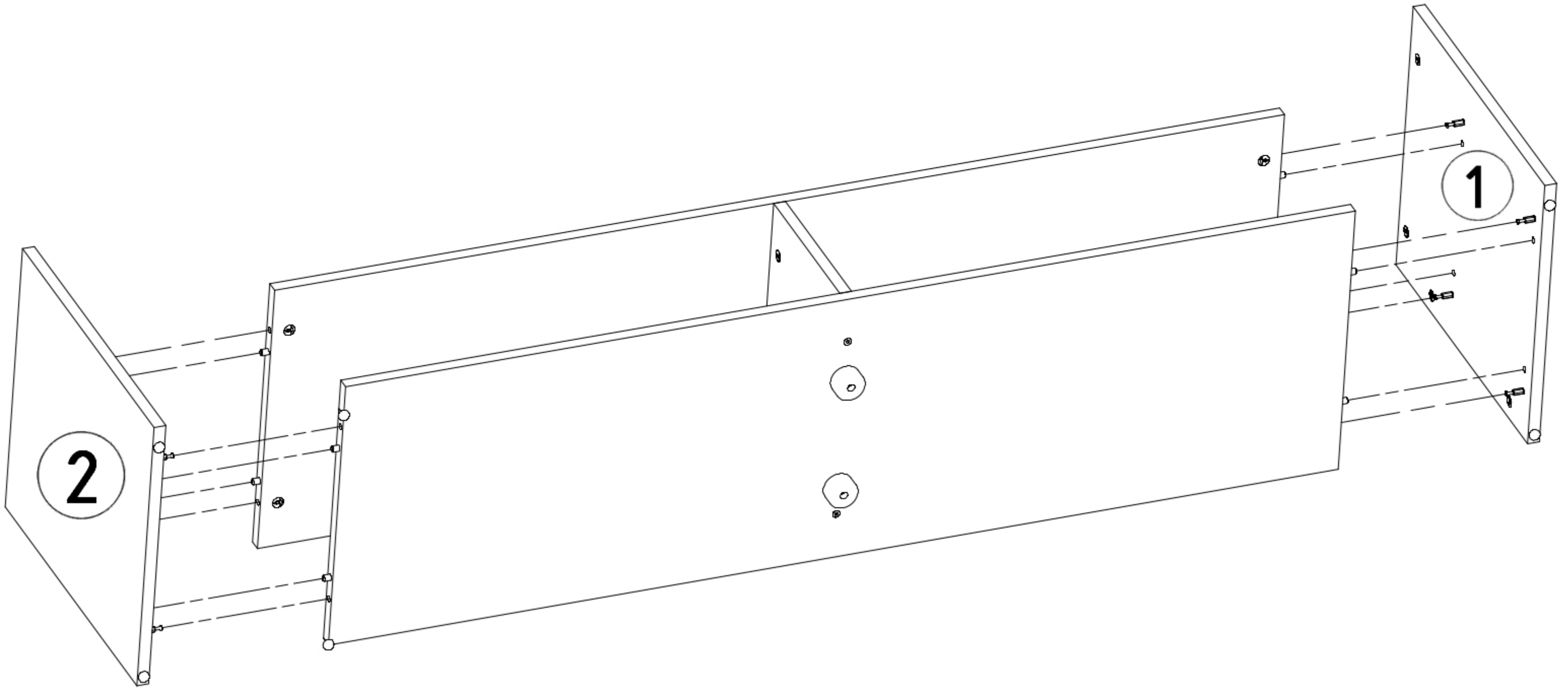
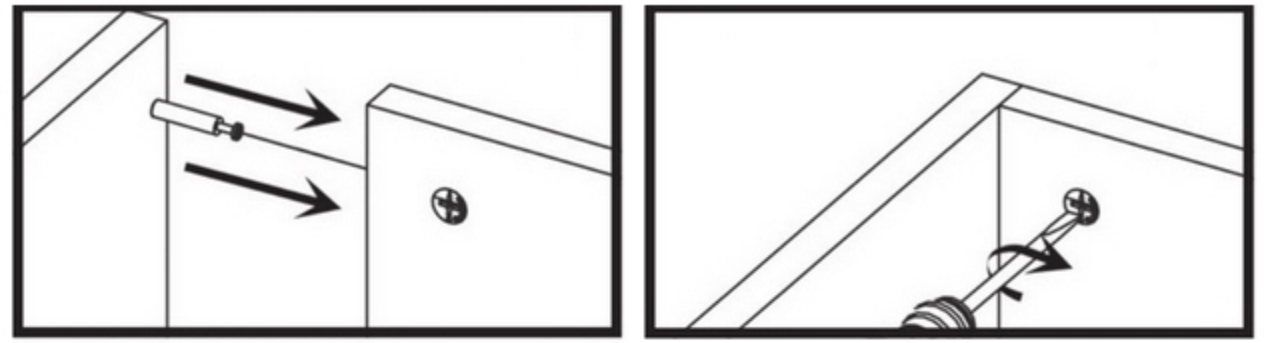





<b>E1</b>  x 2	<b>M3</b>  x 4	<b>N2</b>  x 4	<b>T1</b>  x 2
--	---	---	---

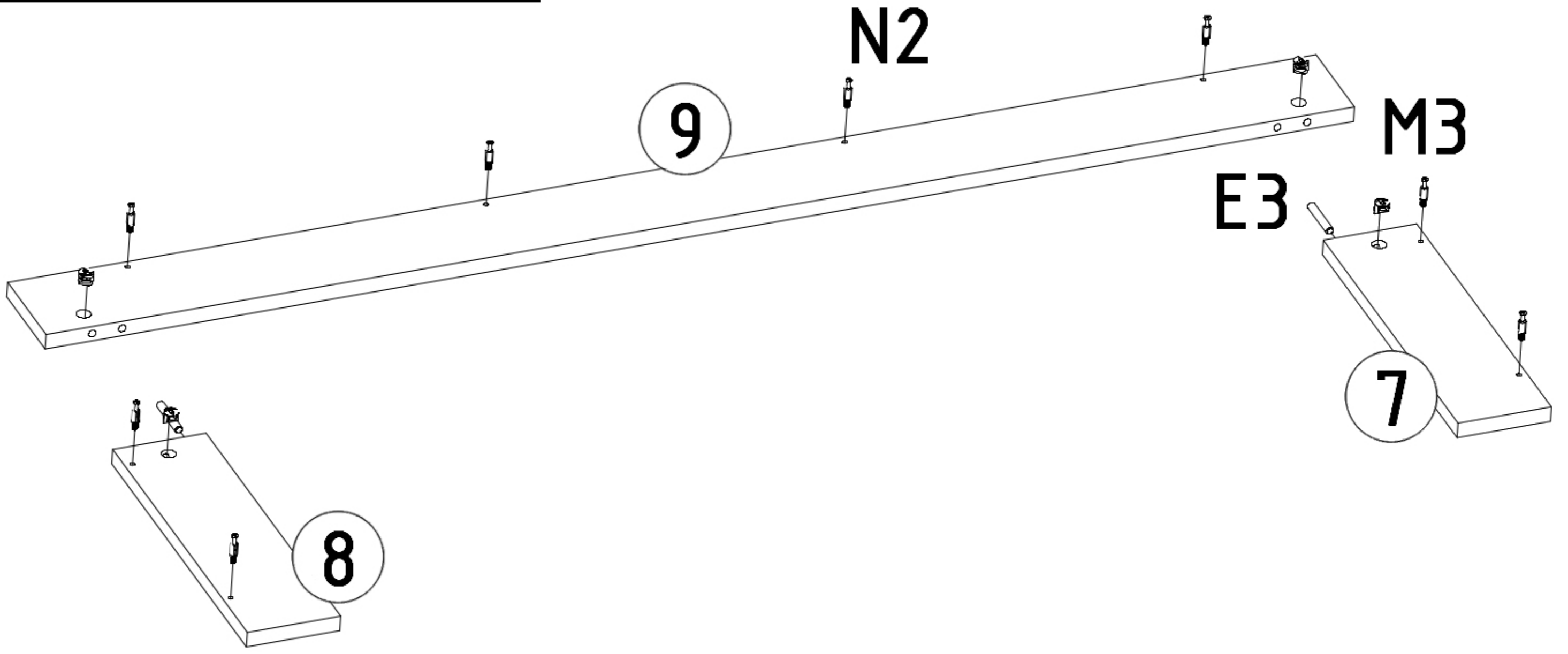



<b>E1</b>  x 2	<b>M3</b>  x 4	<b>N2</b>  x 4	<b>T1</b>  x 2
--	---	---	---

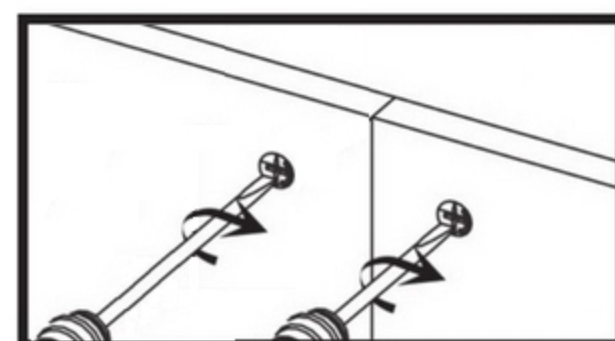
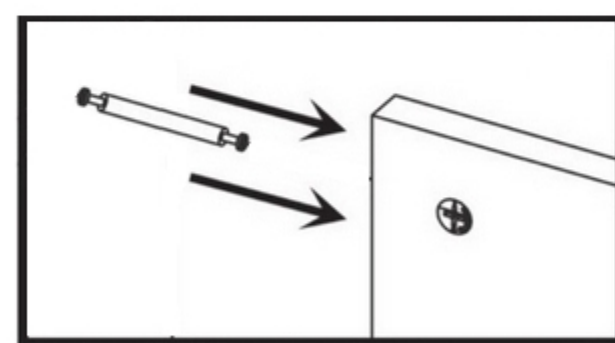
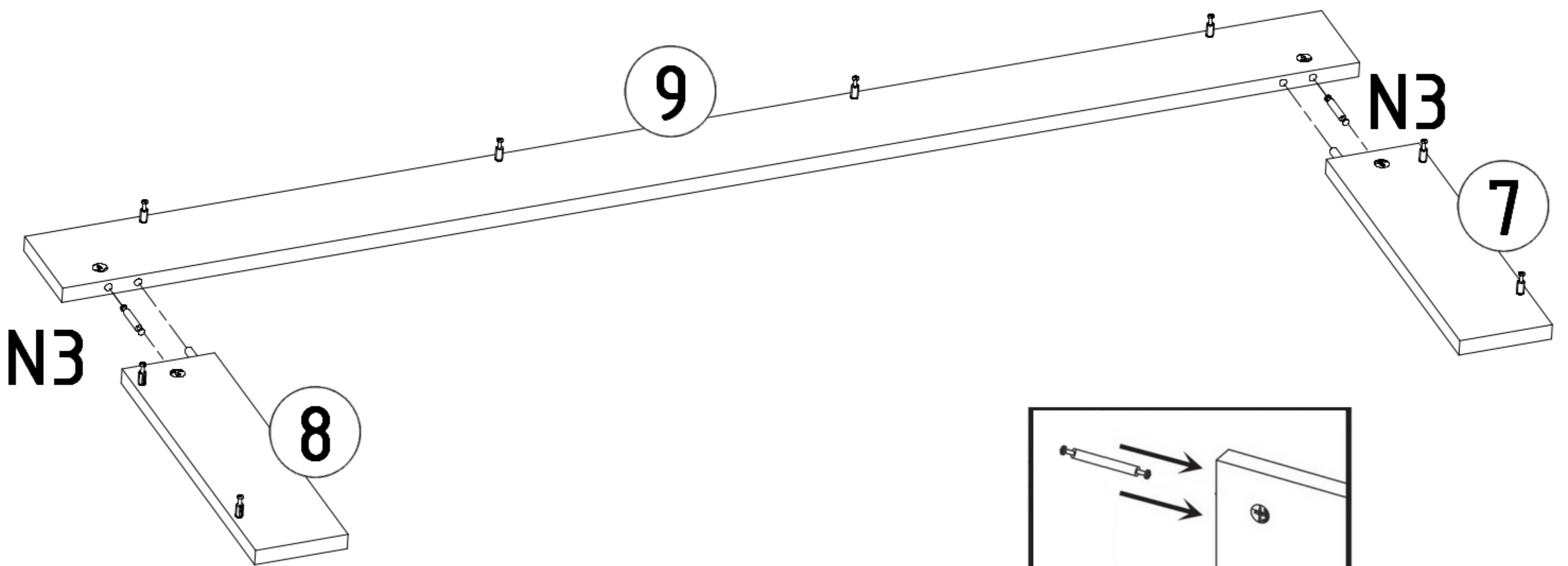


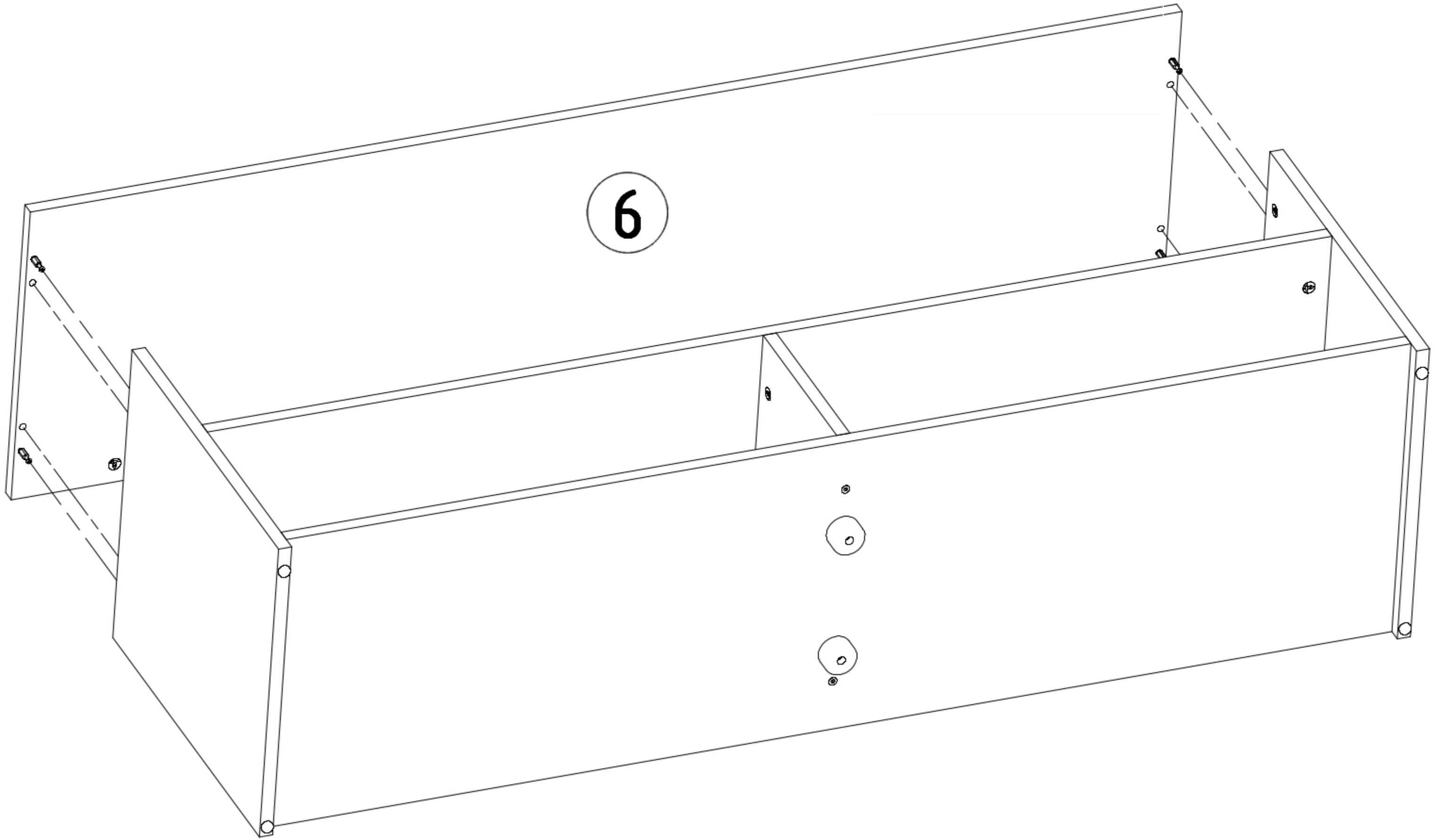
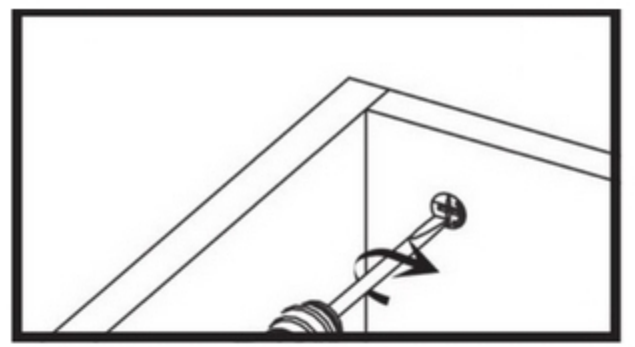
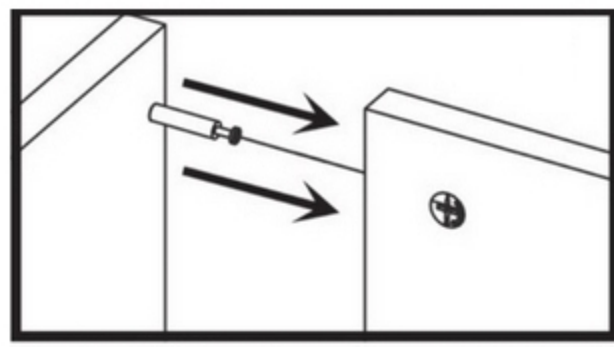





<b>N2</b>  <b>x 8</b>	<b>E3</b> 8x50  <b>x 2</b>	<b>M3</b>  <b>x 4</b>
---	--	--

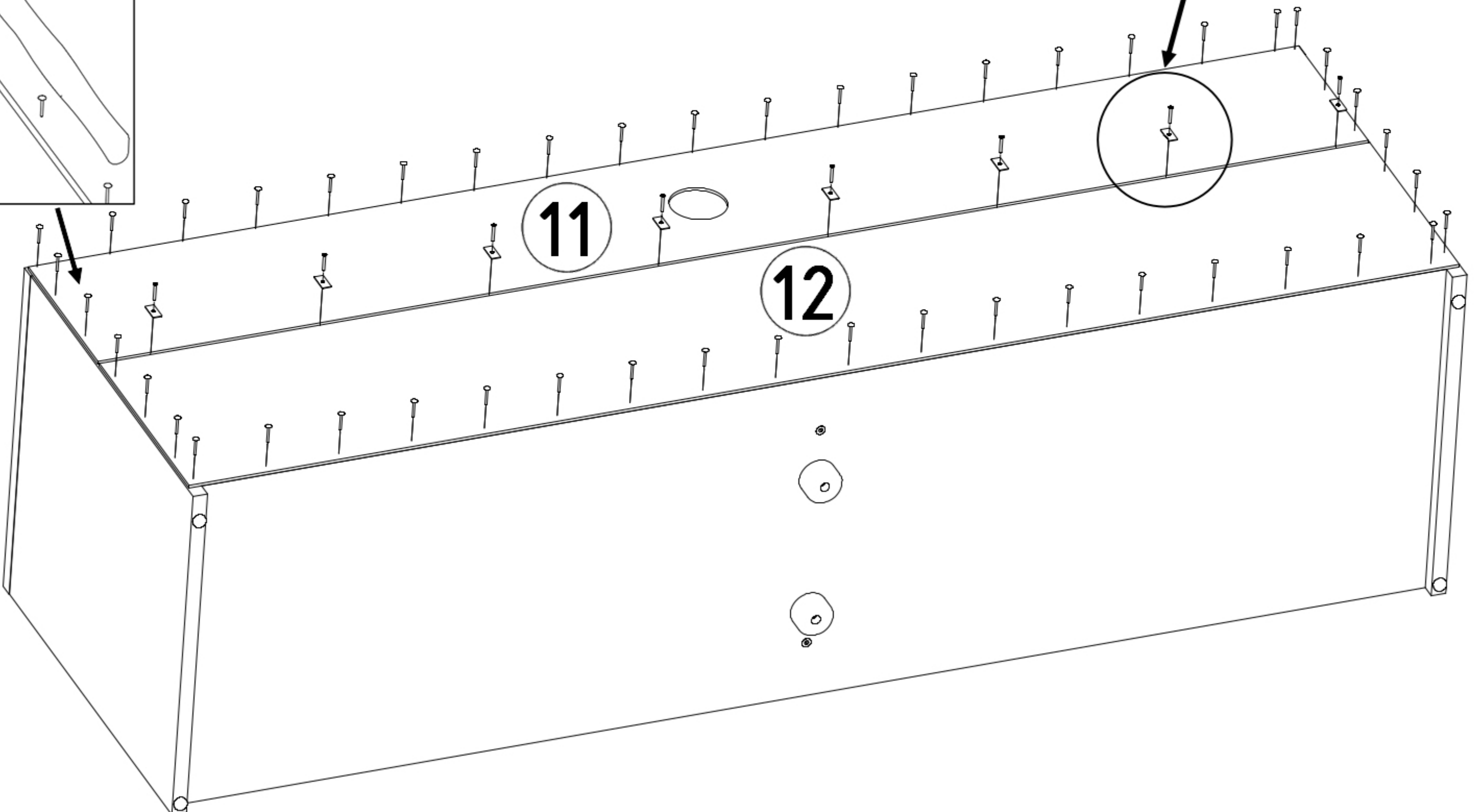
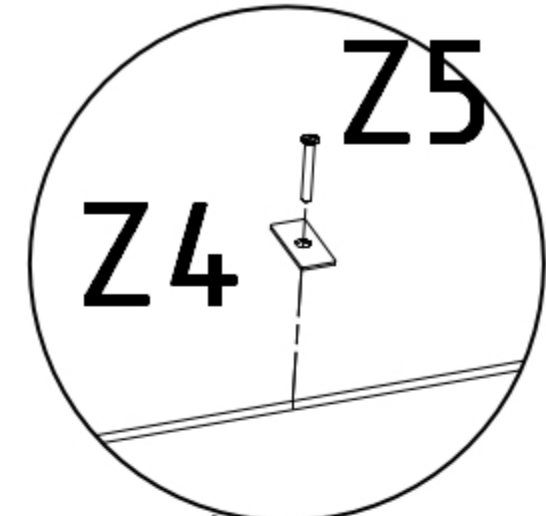
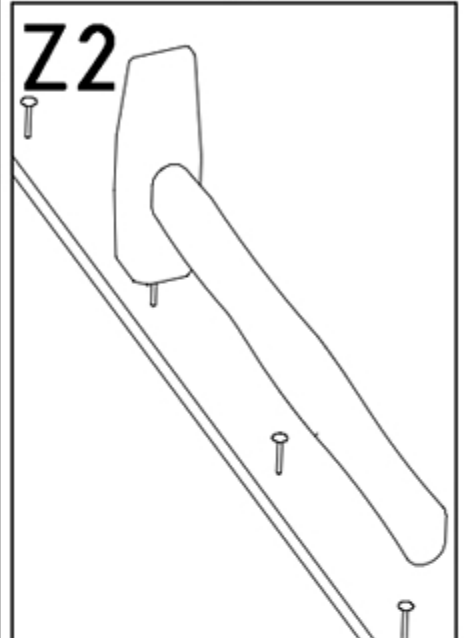


<b>N3</b>  L=40 <b>x 2</b>
---

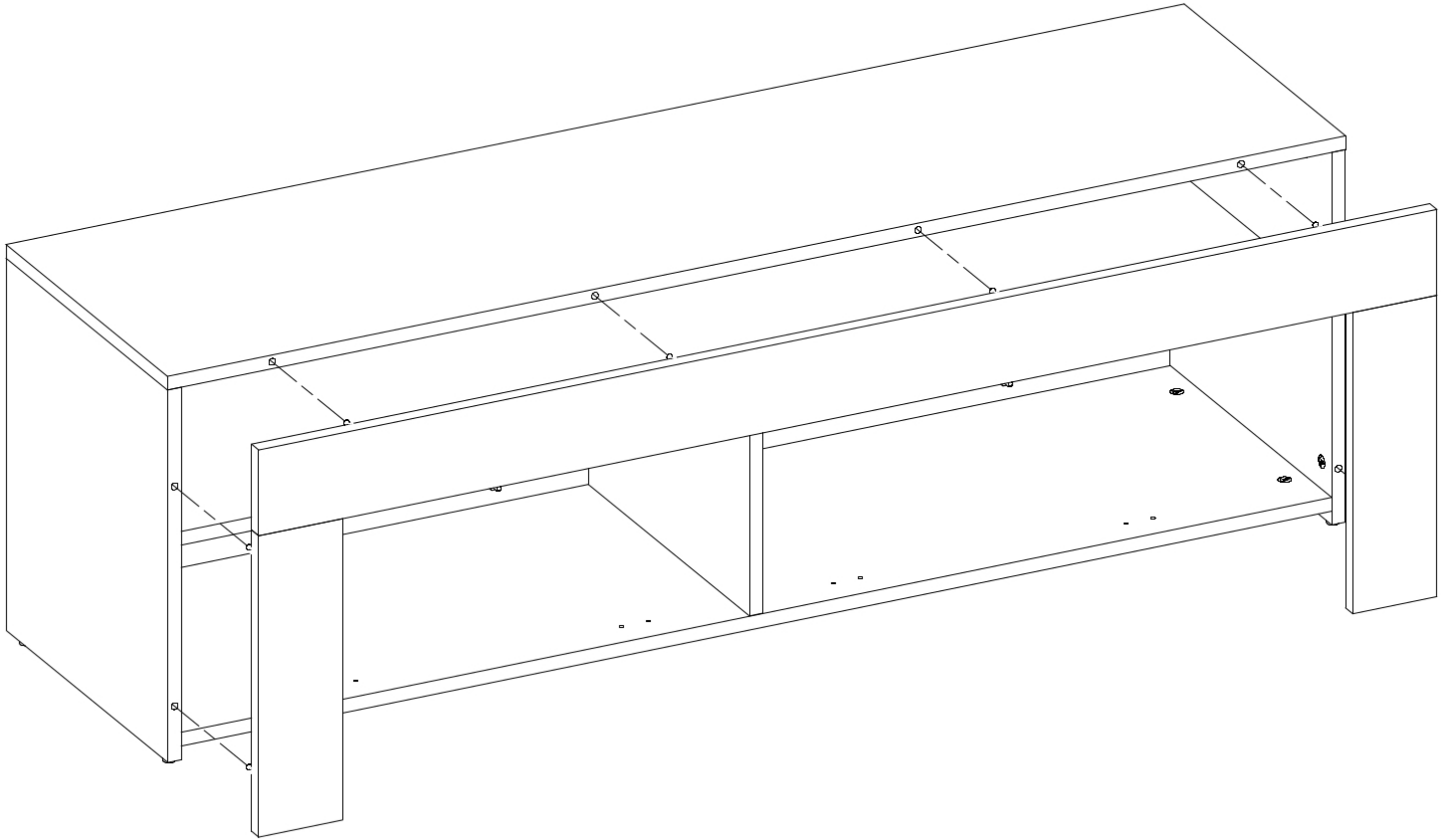
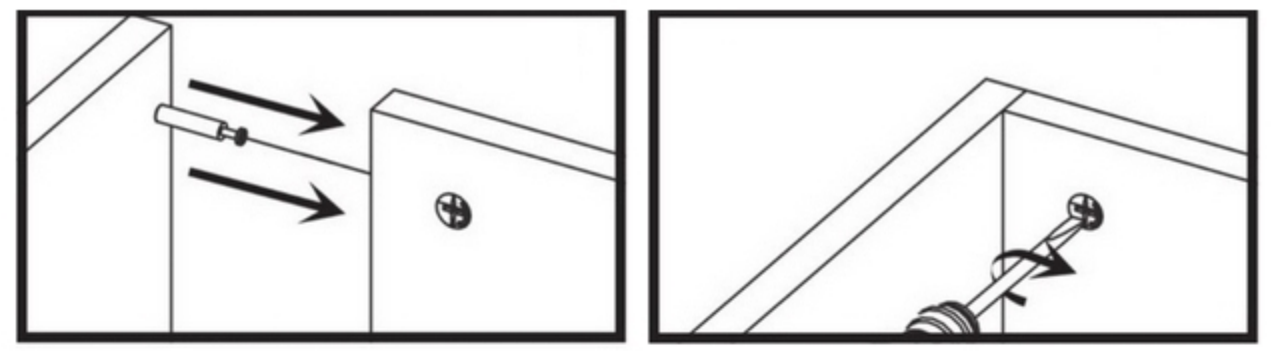



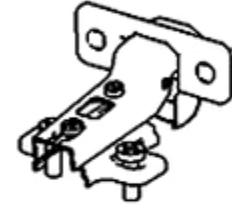
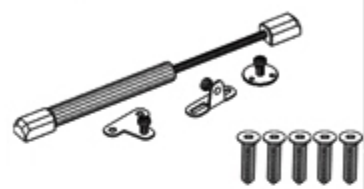


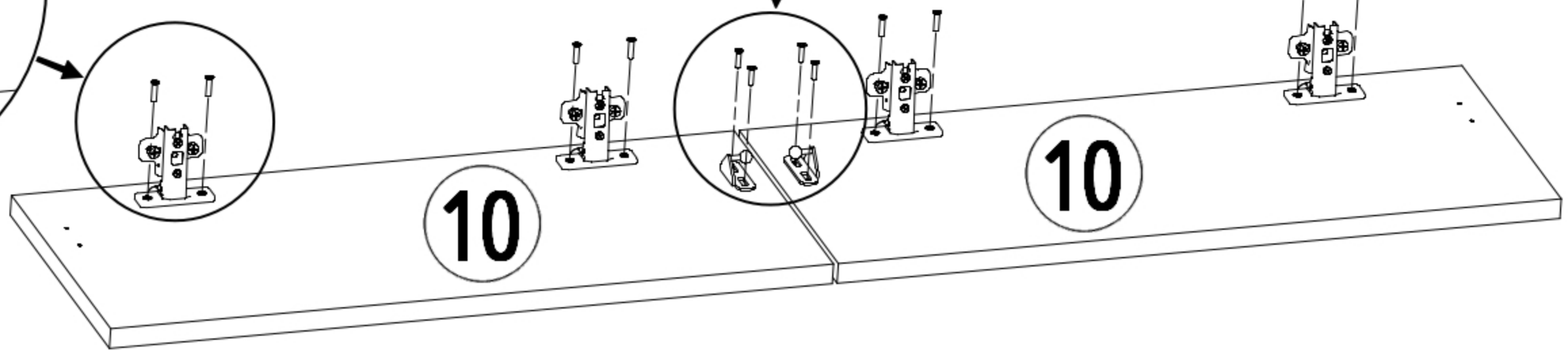
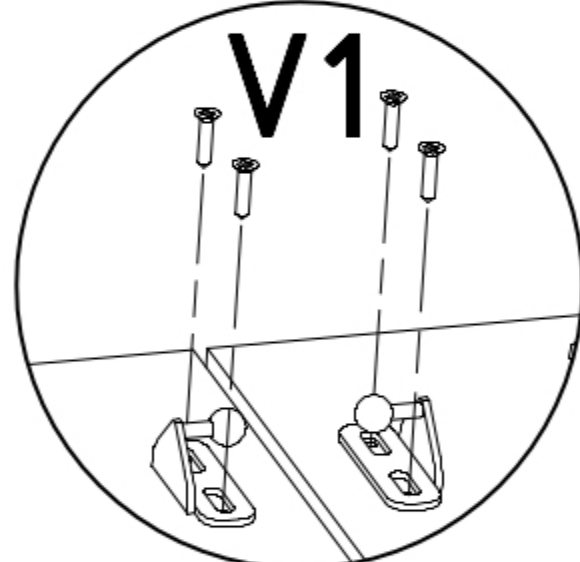
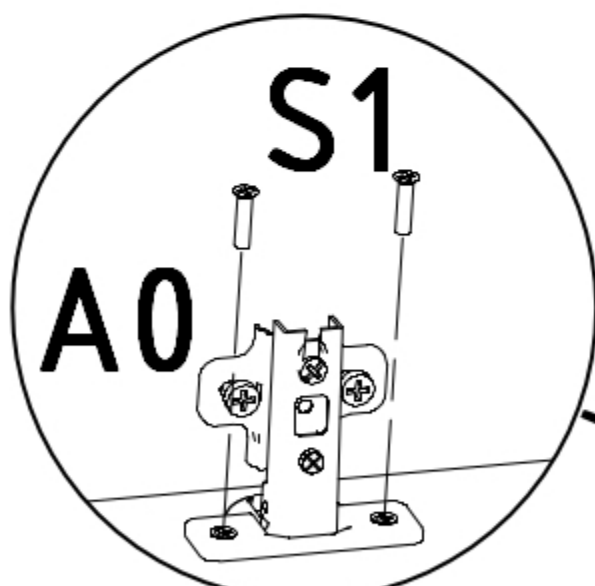
<b>S5</b>  2,5x20 x 8	<b>Z4</b>  x 8	<b>Z2</b>  x 70
--	---	--











<b>S1</b>  3,5x16 x 8	<b>A0</b>  x 4	<b>V1</b>  x 2
--	---	---



<b>M2</b>  <b>x 6</b>	<b>V1</b>  <b>x 2</b>
--	--

<b>M3</b> 	<b>M2</b> 
---	--

