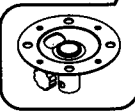
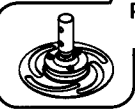






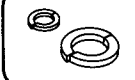


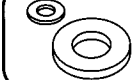

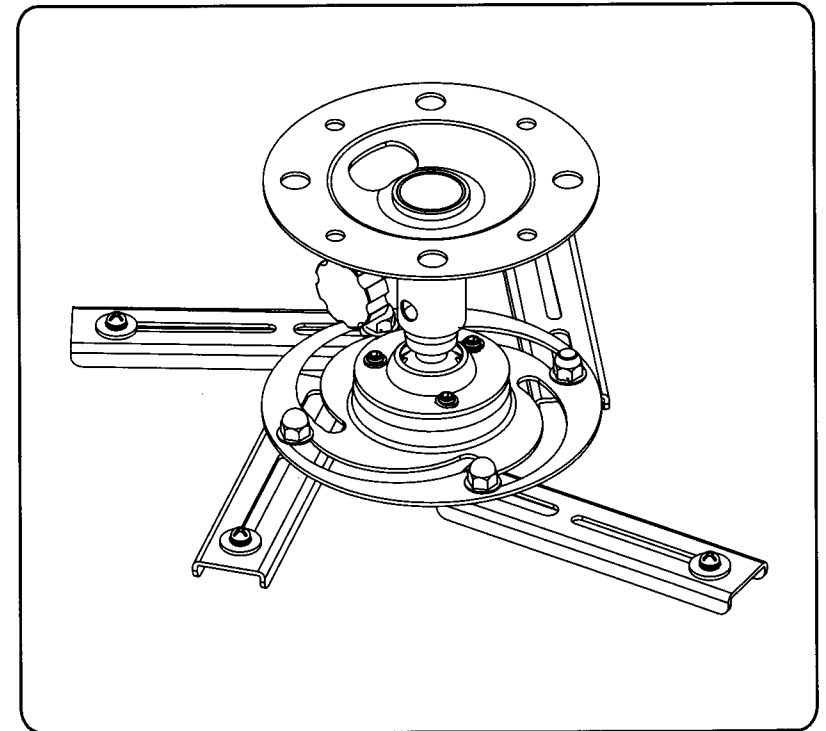


Model: TPM - 1  
Component List

| Component   | Description                       | Qty | Component   | Description                       | Qty |
|---|-----------------------------------|-----|---|-----------------------------------|-----|
|    | Ceiling Mounting Bracket (A)      | 1   |    | Projector Mounting Bracket (B)    | 1   |
|    | Adjusting Plate (180m length) (C) | 3   |    | Adjusting Plate (140m length) (D) | 4   |
|    | Coach Bolt 5/16" * L1/2 (E)       | 4   |    | Acorn nut (F)                     | 4   |
|    | Washer Ø5/16" (G)                 | 4   |    | Assorted Screws (H)               | 8   |
|  | Assorted Spring Washers (I)       | 8   |  | Assorted Plain Washers (J)        | 8   |
|  | Long Spacer (K)                   | 4   |  | Plastic Washers (L)               | 4   |
|  | Allen Keys (M)                    | 2   |   |                                   |     |

MODEL: TPM - 1  
Ceiling Mount for Projectors



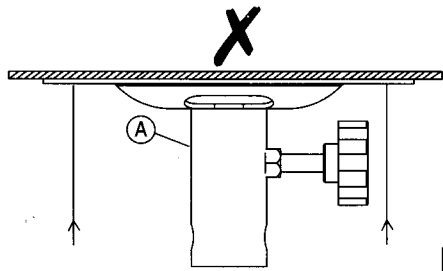
**Important Assembly Advice**

It is recommended that care is taken with any lifting/moving of Projector and Mounting System.

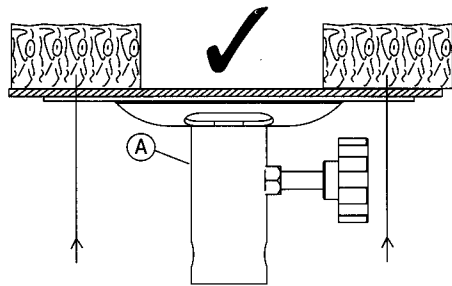
Every effort is made to make sure these instructions are correct. In an effort to constantly improve our products minor changes may occur. E, O & E

**!** Make sure your ceiling can safely support four times the combined weight of the equipment you intend to support.

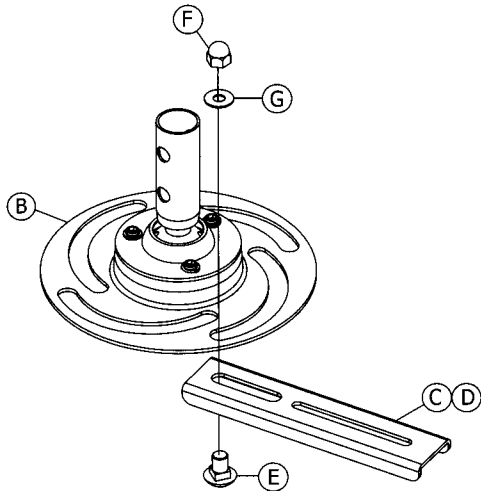
**Step 1**



Determine ceiling type before installation and seek professional guidance for the correct method of mounting Ceiling Mounting Bracket (A).

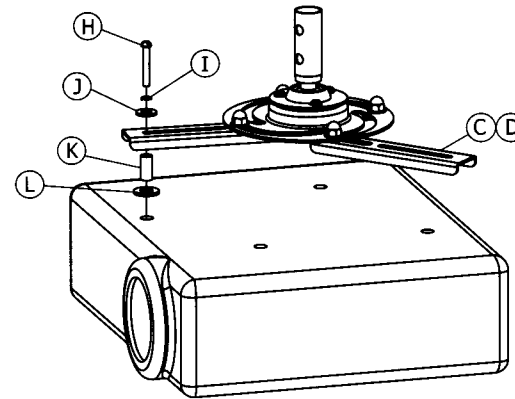


Take Projector Mounting Bracket (B) and attach the appropriate Adjusting Plates (C or D) by using a Coach Bolt (E), Washer (G) and Acorn Nut (F). Hand tighten the Acorn Nut (F).



**Step 2**

**Step 3**



Mount the Adjustable Plates (C or D) onto the Projector, make sure you attach the projector by at least three mounting holes. Select the correct size Screw (H) and use the corresponding Washers (J, L) and Spacers (K) provided.



**Spacers (K) must be fitted to allow the projector to remain properly ventilated.**

Once Step 3 is completed, carefully lift the Projector up and push the Projector and attached Projector Mounting Bracket (B) onto the Ceiling Mounting Bracket (A). The Spring Clip (Z) will click into place then tighten up by using Thumbscrew (X).

To adjust rotation and tilt of Projector slacken off the three Screws (Y) with the supplied Allen Key (M), once in correct position re-tighten the screws.

Removal of Projector can be carried out at anytime by supporting the Projector fully, loosening the Thumbscrew (X) and then depressing the Spring Clip (Z).

**Step 4**

