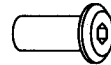


Fitting List

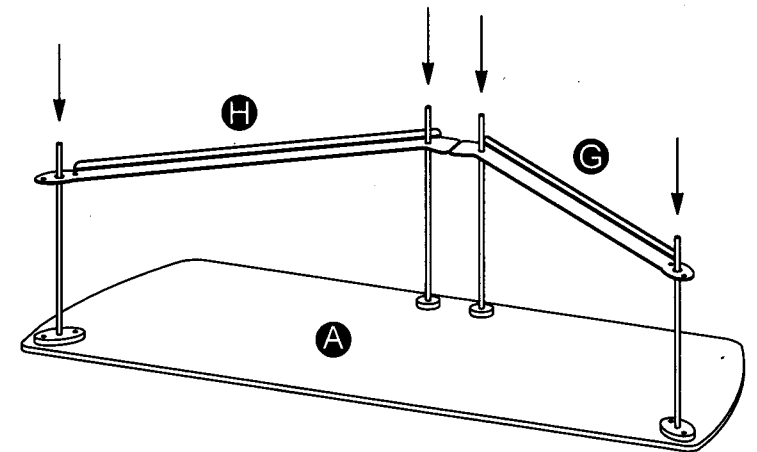
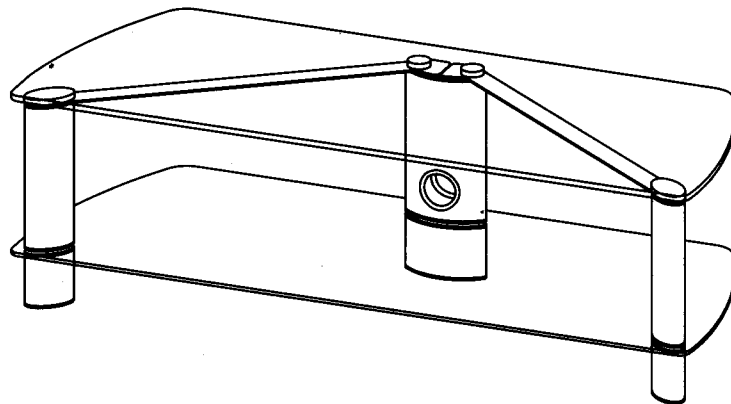
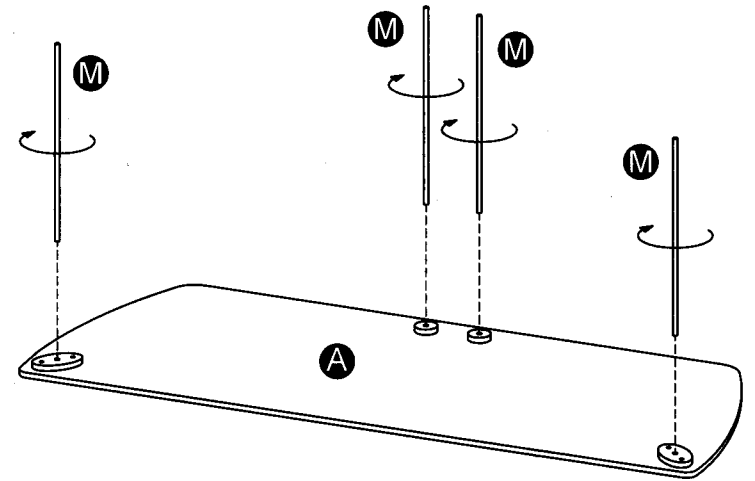
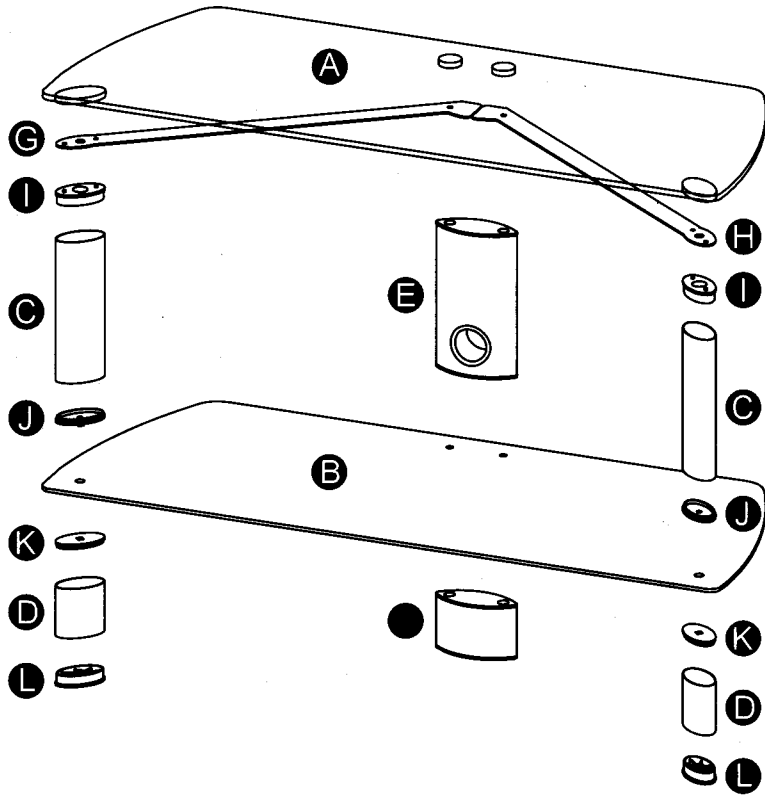
M : (4pcs)



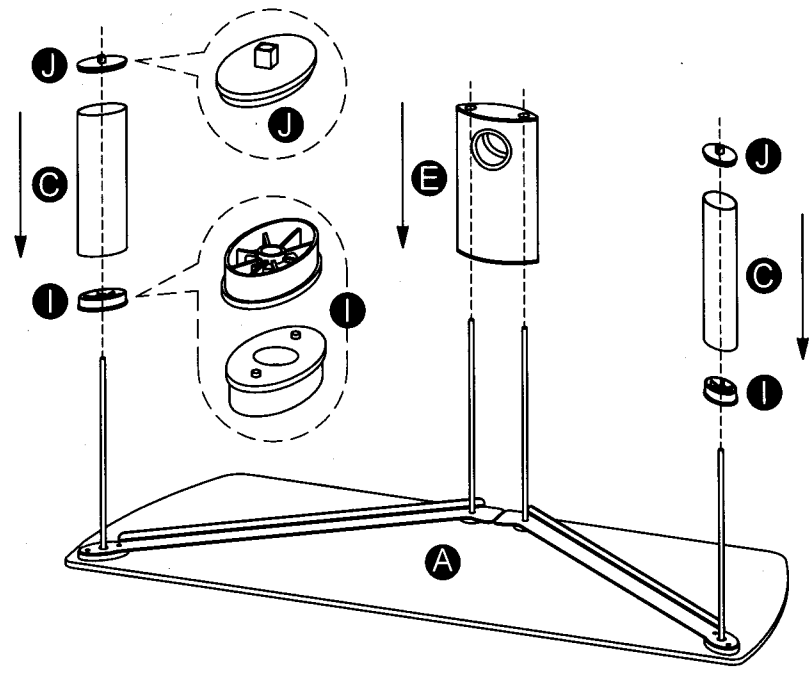
N : (4pcs)



O : (1pc)



3.



4.

