

STUK2009BB ASSEMBLY INSTRUCTIONS

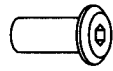
1.

Fitting List

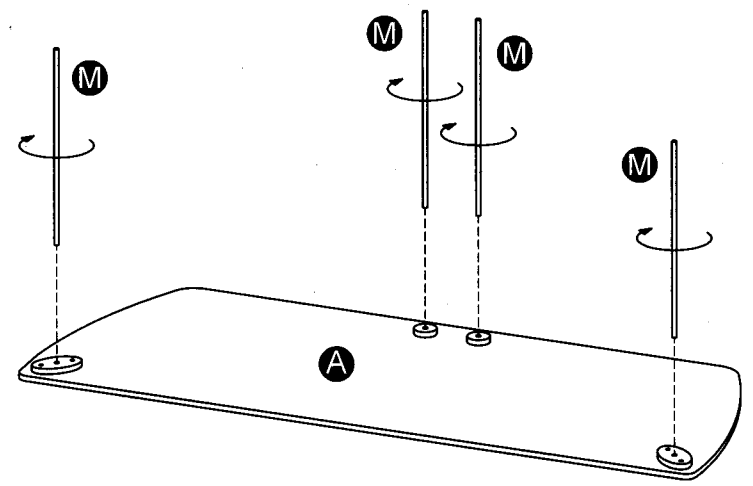
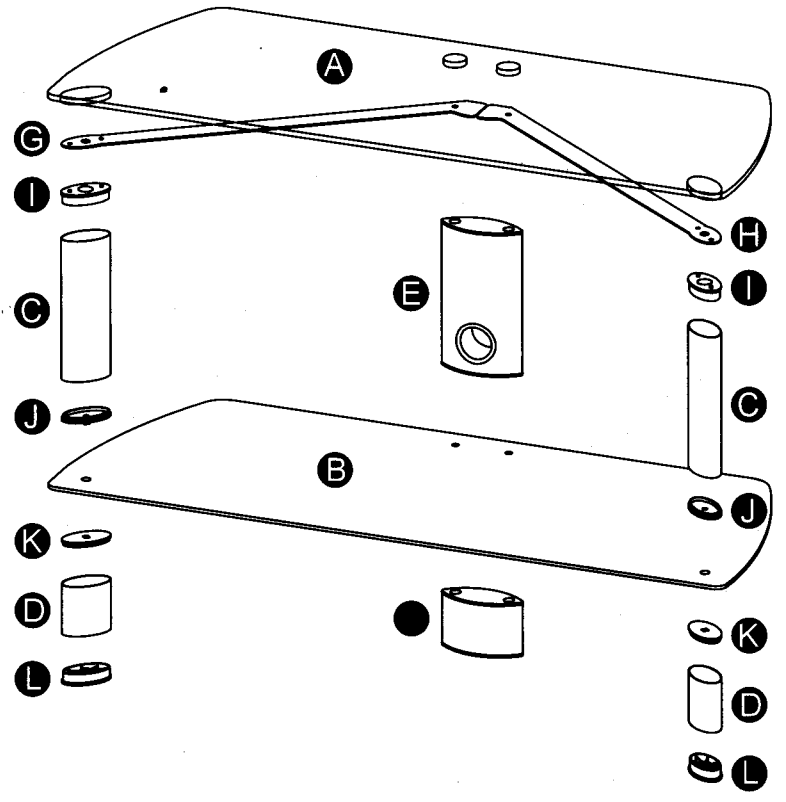
M : (4pcs)



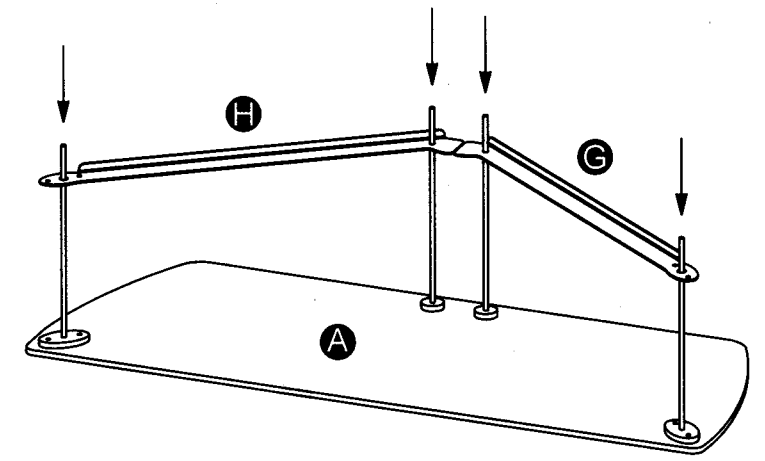
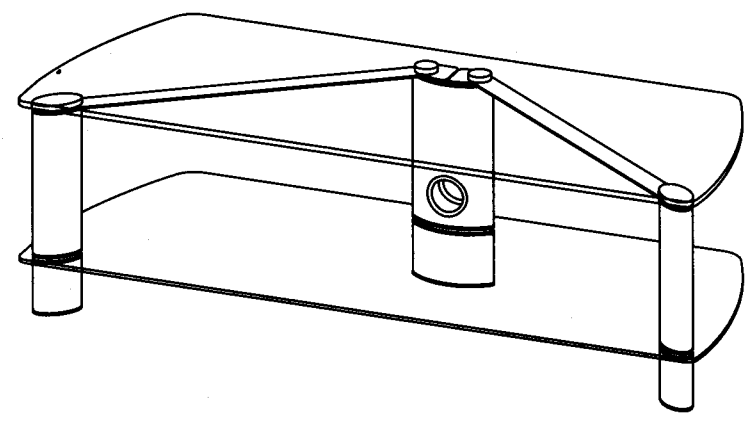
N : (4pcs)



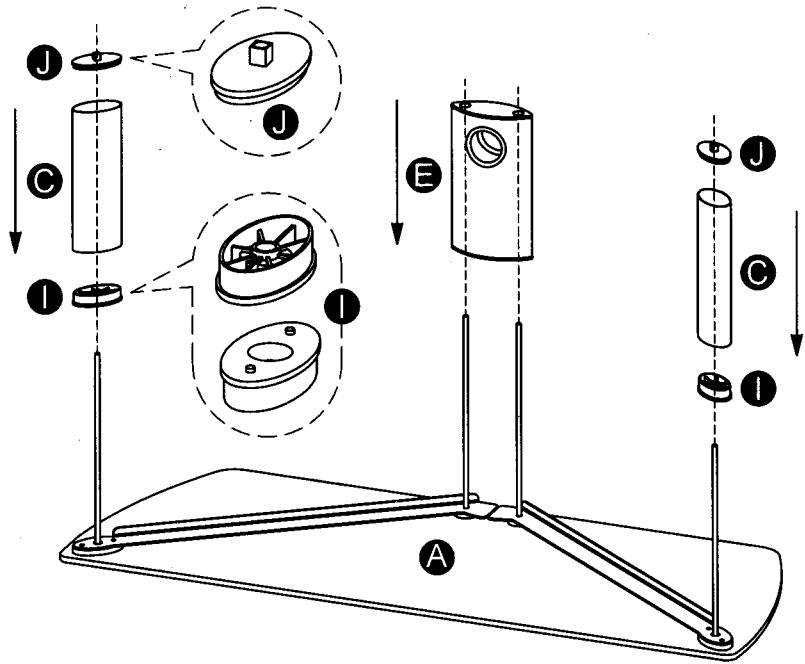
O : (1pc)



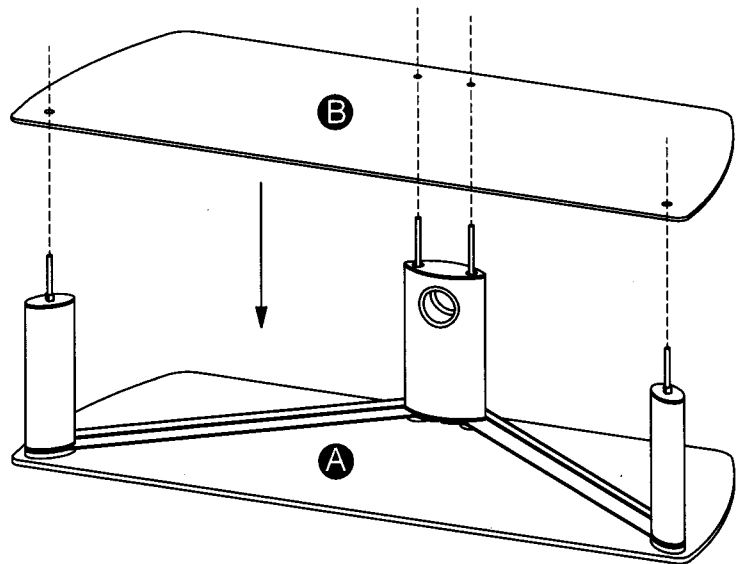
2.



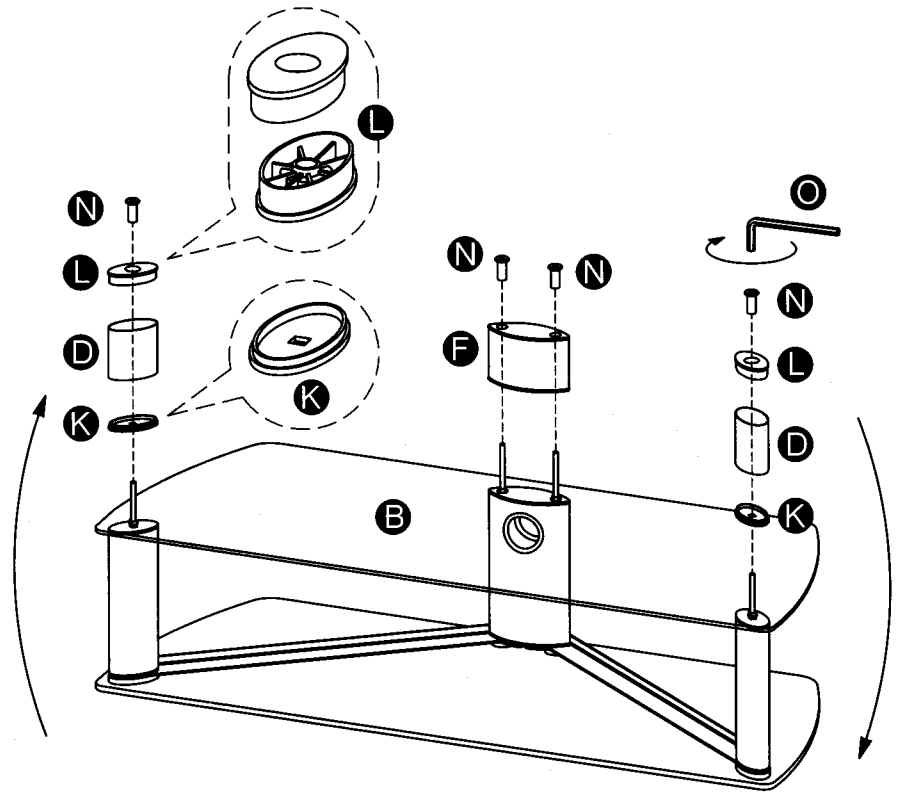
3.



4.



5.





M5x30 Bolt (4pcs)



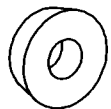
M6x40 Bolt (4pcs)



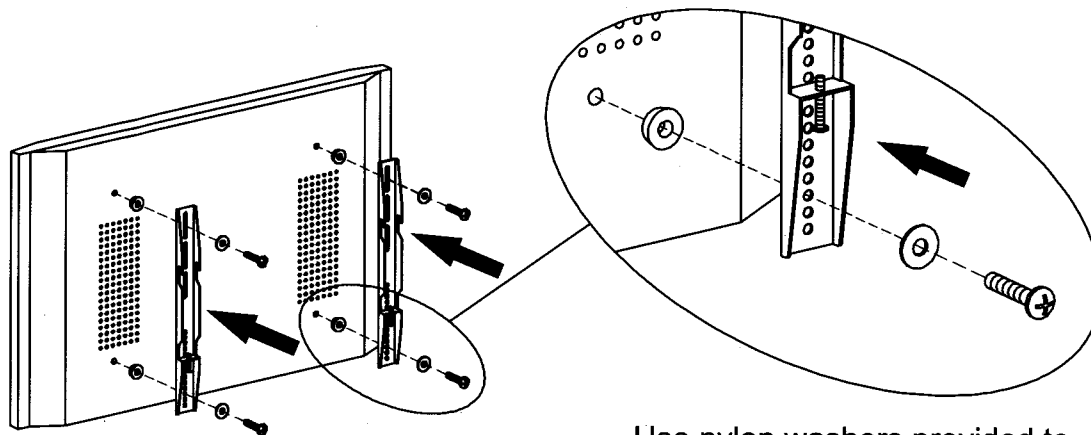
M8x40 Bolt (4pcs)



M6/M8 Washer (4pcs)



M6/M8 Spacer (12pcs)



Use nylon washers provided to determine the length of the screw

