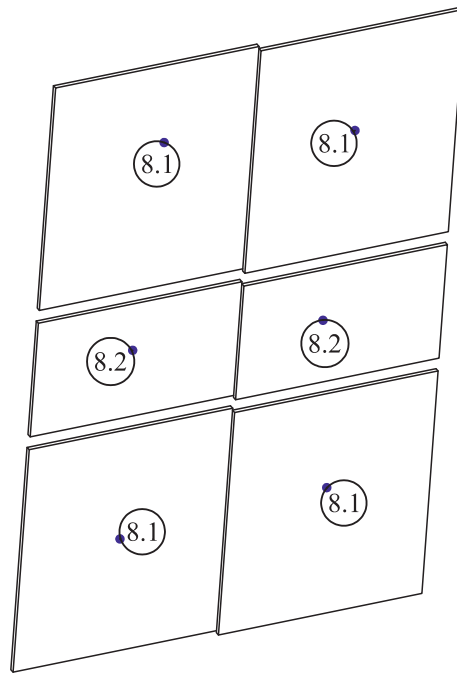
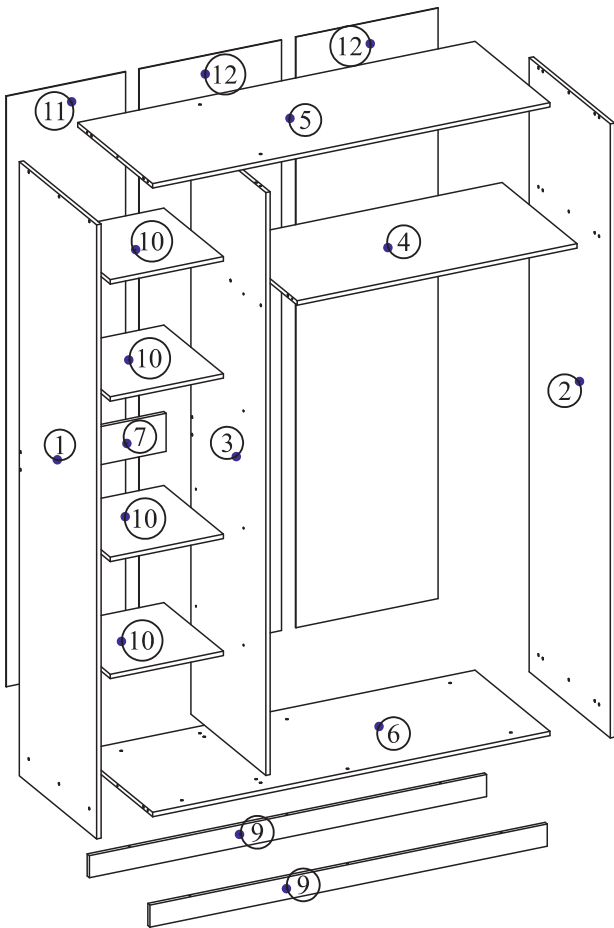
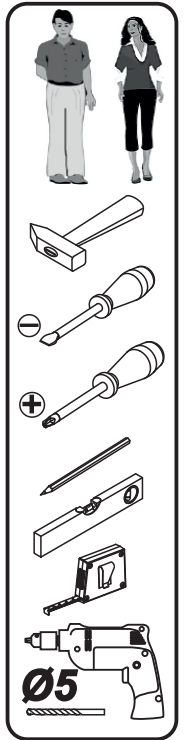
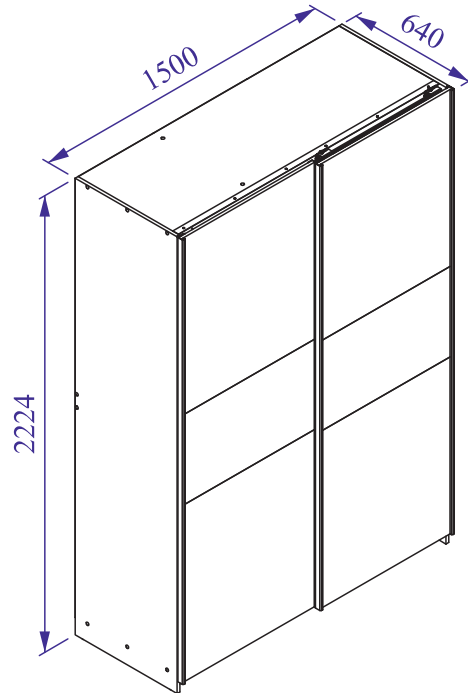


№	L	B	S	N	P
1	2224	572	16	1	2/5
2	2224	600	16	1	2/5
3	2111	554	16	1	3/5
4	1034	554	16	1	1/5
5	1468	554	16	1	1/5
6	1468	554	16	1	1/5
7	418	138	16	1	1/5
8.1	752	862	16	4	4/5
8.2	752	440	16	4	4/5
9	1468	80	16	2	1/5
10	440	418	16	4	1/5
11	2139	441	3	1	2/5
12	2139	526	3	2	3/5



726	Ø4x14	512															
	x2	x3															
725		513															
	x2	x1															
727		598															
	x1	x3															
724		722															
	x2	x2															
723		720															
	x2	x2															
719		406															
	x2	x32															
301	1,6x25	218	Ø3x18	205	Ø4x16	202	Ø4x13	735		412		470		411		406	
	x48		x8		x4		x101		x8		L=1028mm x1		x8		x2		x32
461		209	Ø4x25	407		407		410	Ø8x30	405		707		721		718	
	x30		x4		L=415mm x1		L=1680mm x1		x16		x16		x4		x1		x1

