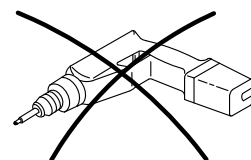
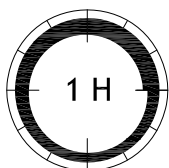
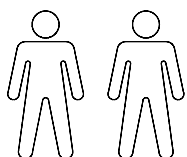
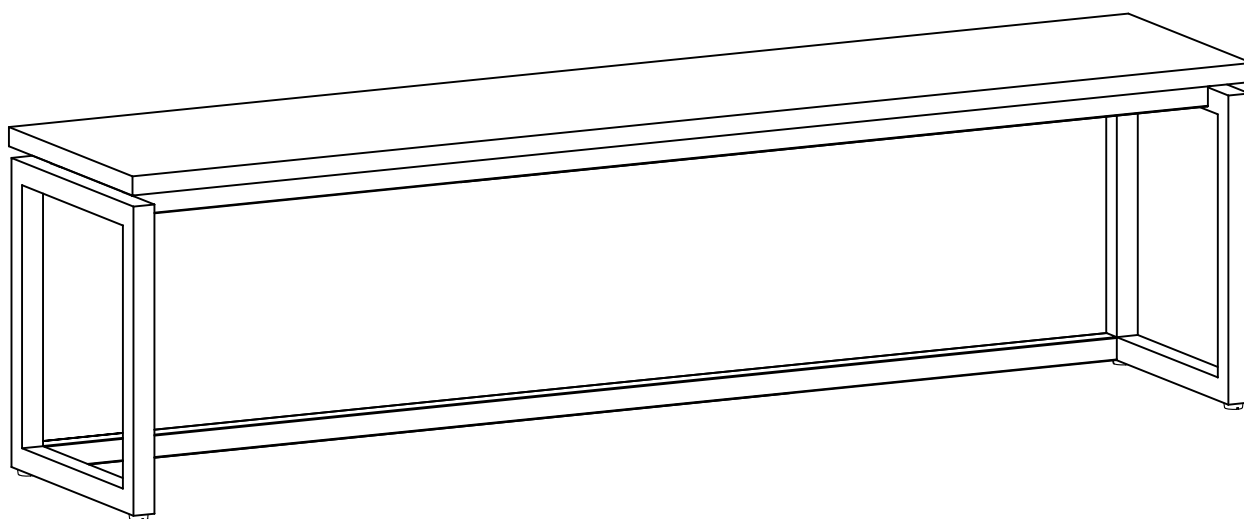
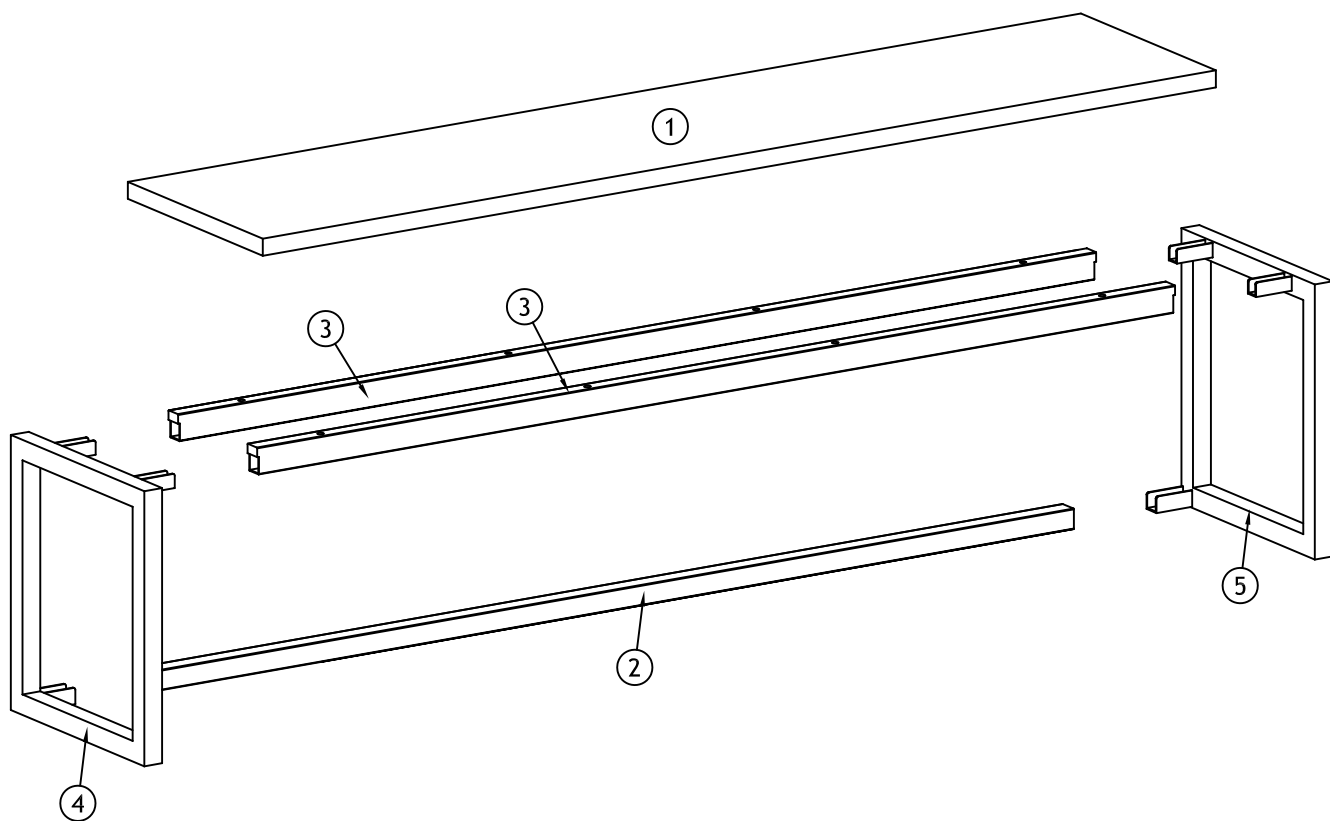
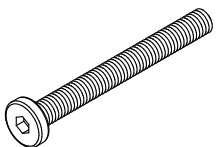
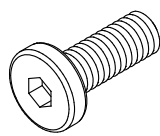
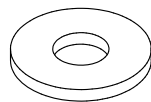
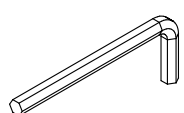
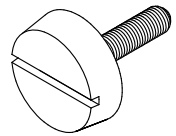


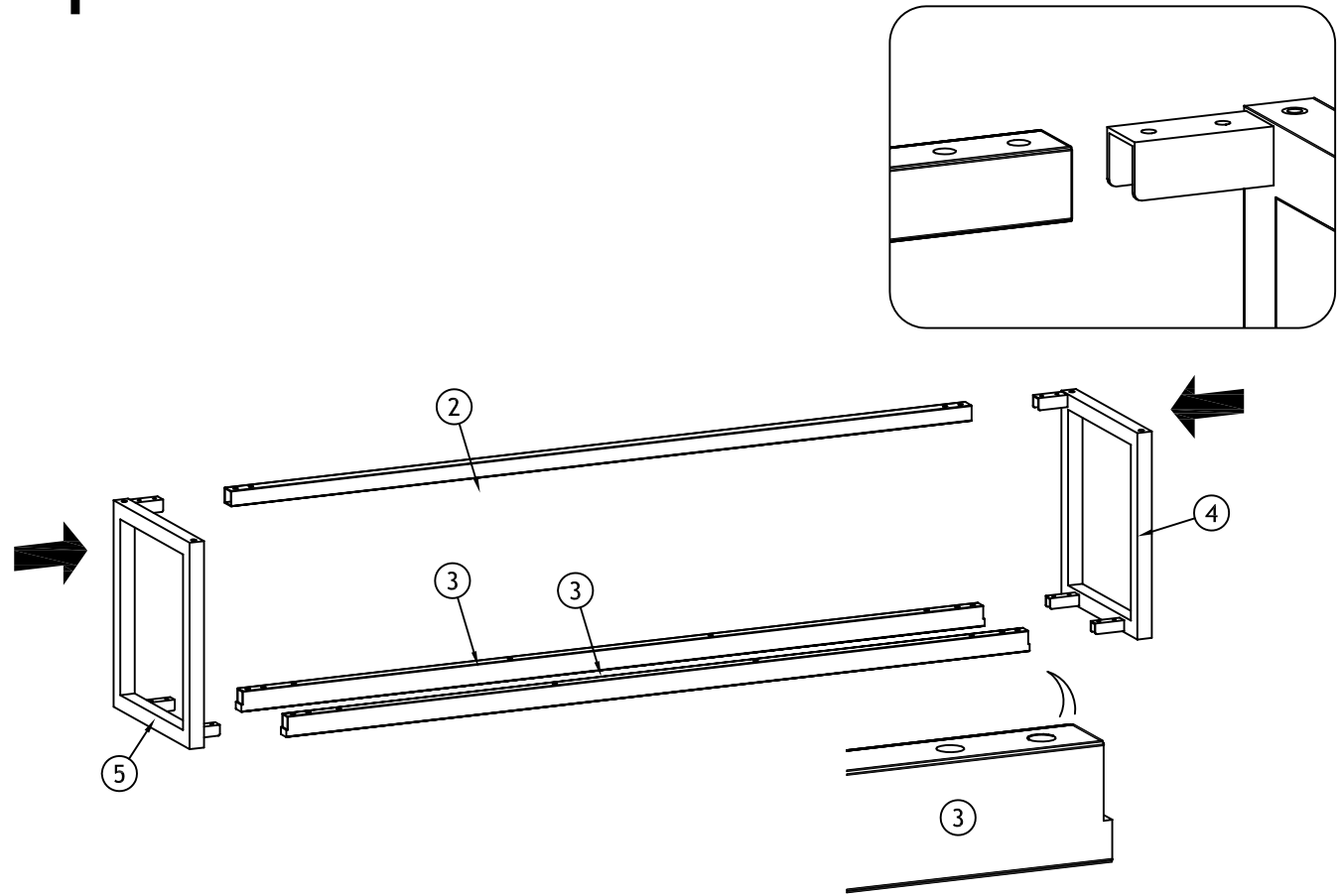
DALARNA




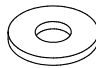



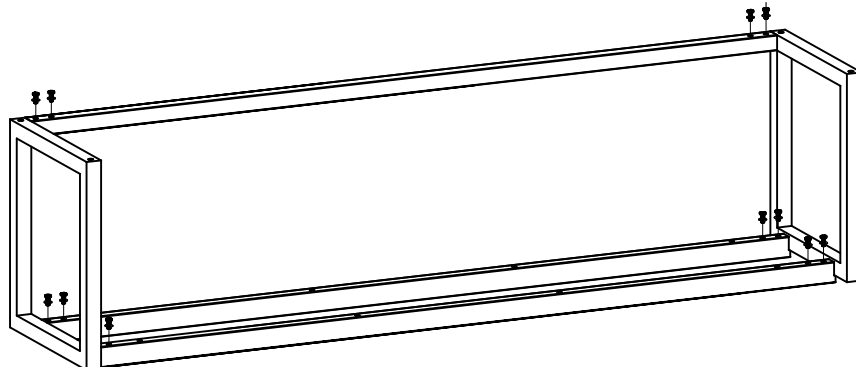
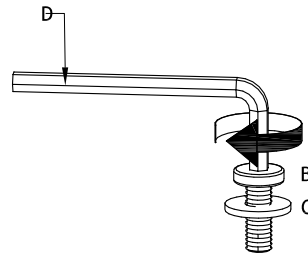
<p>A x 8</p>  <p>M6x55 mm</p>	<p>B x 12</p>  <p>M6x16 mm</p>	<p>C x 20</p>  <p>Ø6/Ø15</p>	<p>D x 1</p>  <p>4 mm</p>	<p>E x 4</p>  <p>Ø23,5/M6 mm</p>
------------------------------------------------------------------------------------------------------------------	-------------------------------------------------------------------------------------------------------------------	-----------------------------------------------------------------------------------------------------------------	---------------------------------------------------------------------------------------------------------------	-----------------------------------------------------------------------------------------------------------------------

1

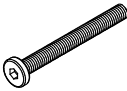

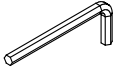


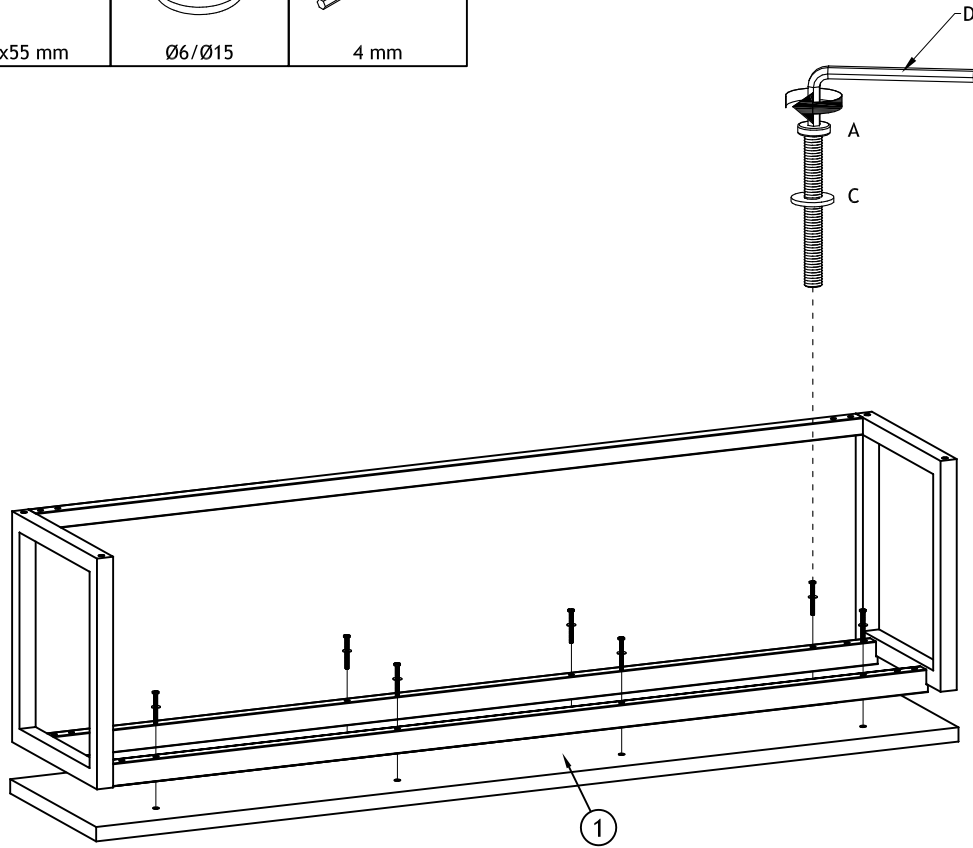
2

B x 12	C x 12	D x 1
		
M6x16 mm	Ø6/Ø15	4 mm

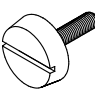


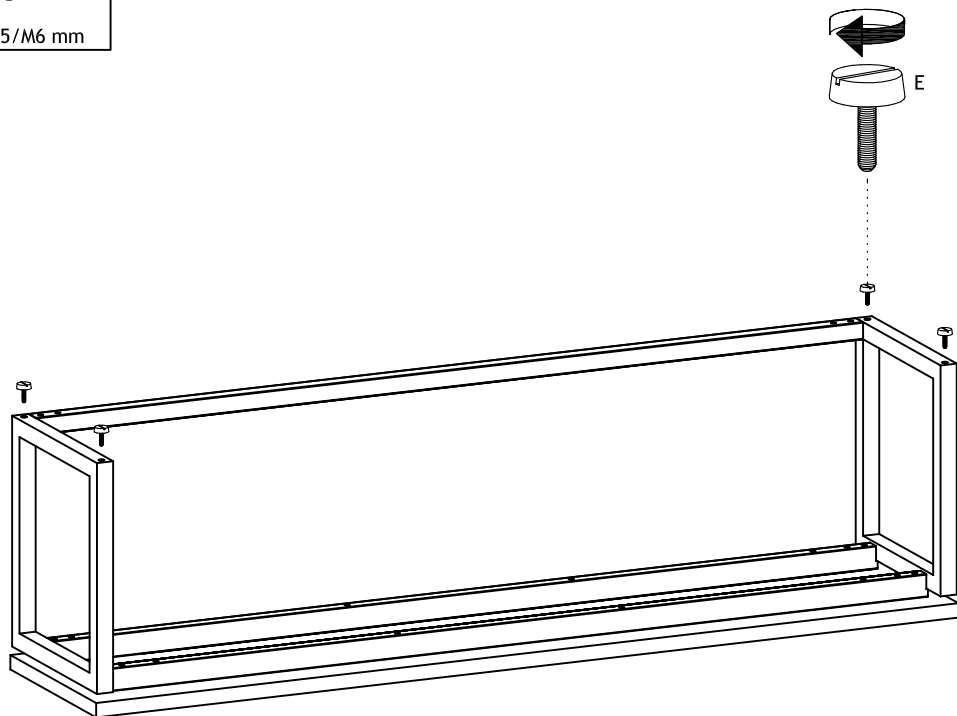
3

A x 8  M6x55 mm	C x 8  Ø6/Ø15	D x 1  4 mm
--------------------------------------------------------------------------------------------------------	------------------------------------------------------------------------------------------------------	----------------------------------------------------------------------------------------------------

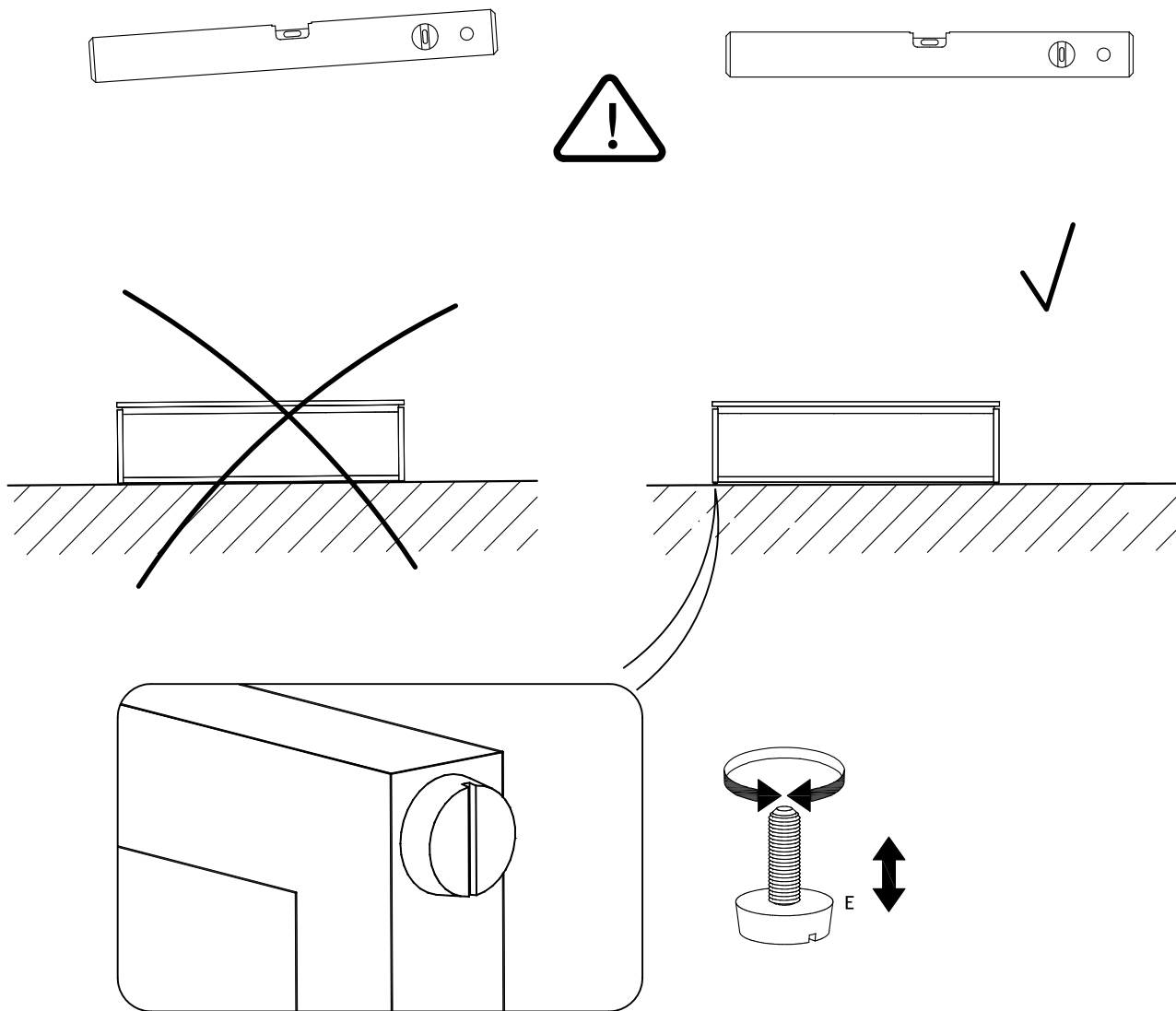


4

E x 4  Ø23,5/M6 mm



5



6

