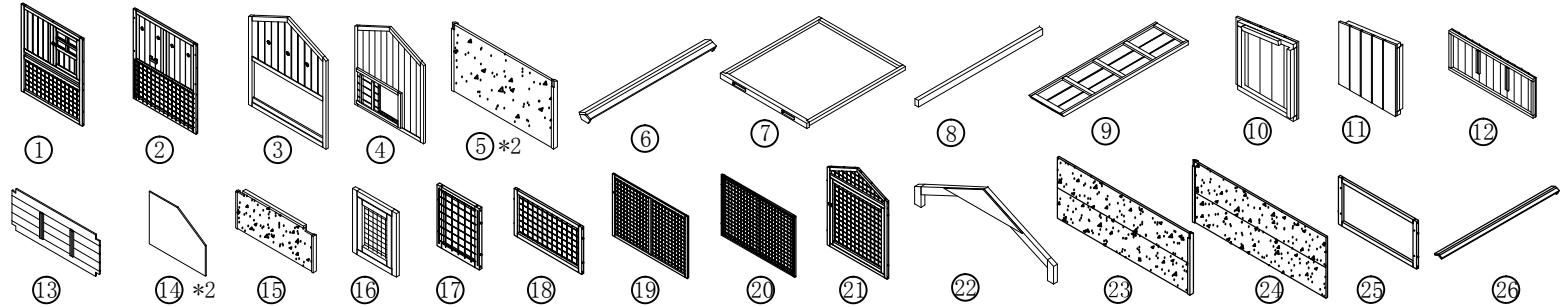
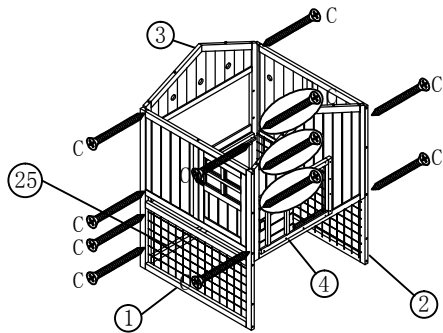


ASSEMBLY INSTRUCTION

- A M6*60 4PCS+1
- B M6*50 4PCS+1
- C M4*55 32PCS+1
- D M3*20 38PCS+1
- E 1PCS

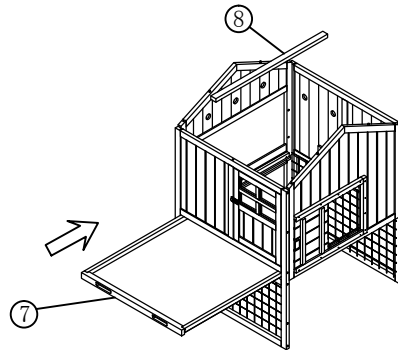


C M4*55 12PCS



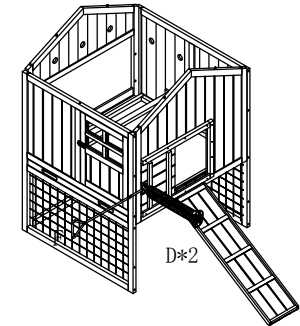
STEP 1

D M3*20 6PCS



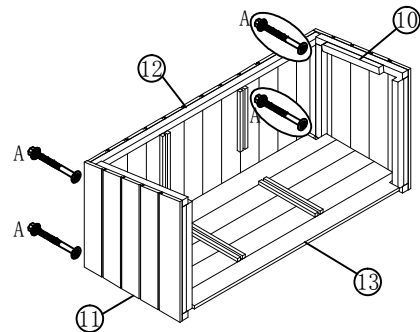
STEP 2

D M3*20 2PCS
E 1PCS



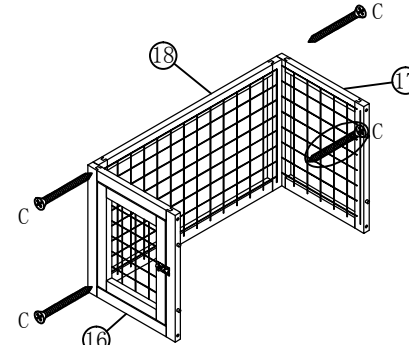
STEP 4

A M6*60 4PCS



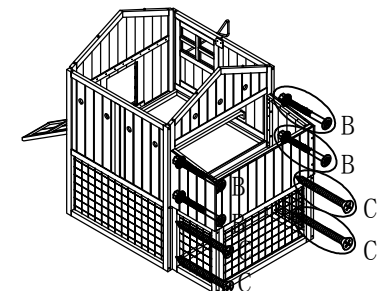
STEP 5

C M4*55 4PCS

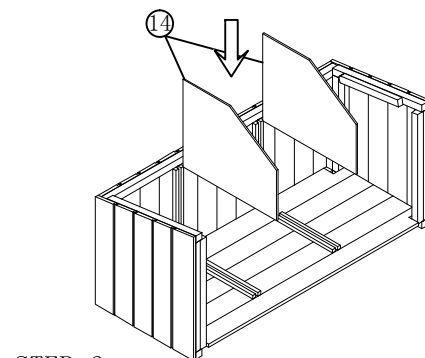


STEP 7

B M6*50 4PCS C M4*55 4PCS



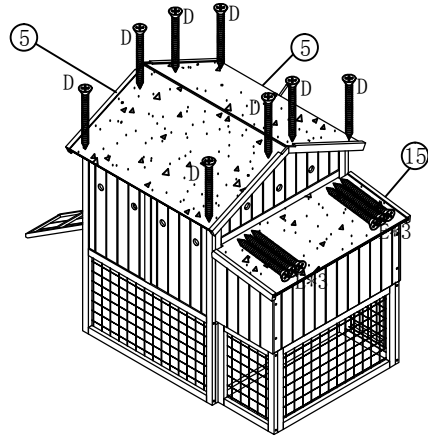
STEP 8



STEP 6

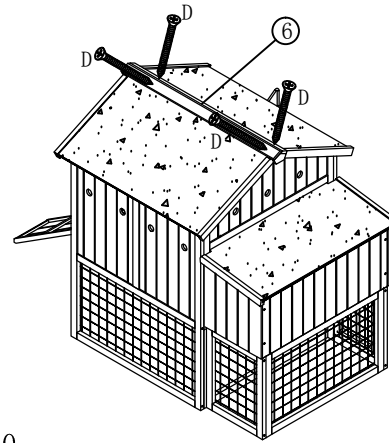
ASSEMBLY INSTRUCTION

D M3*20 14PCS



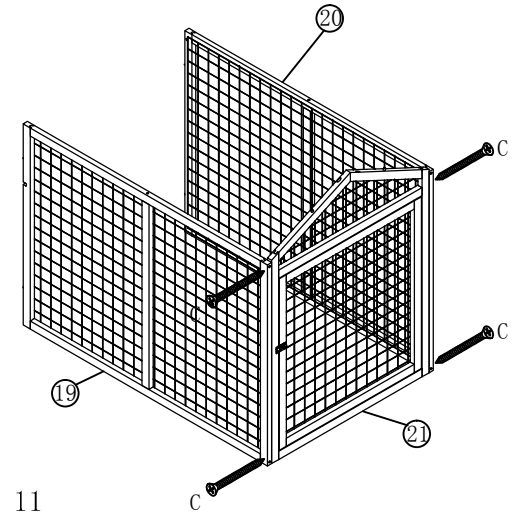
STEP 9

D M3*20 4PCS



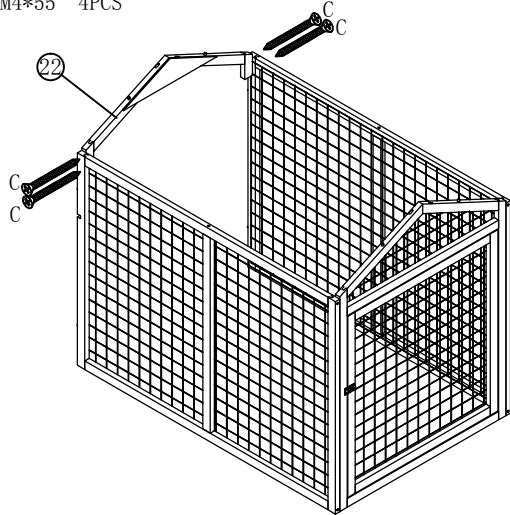
STEP 10

C M4*55 4PCS



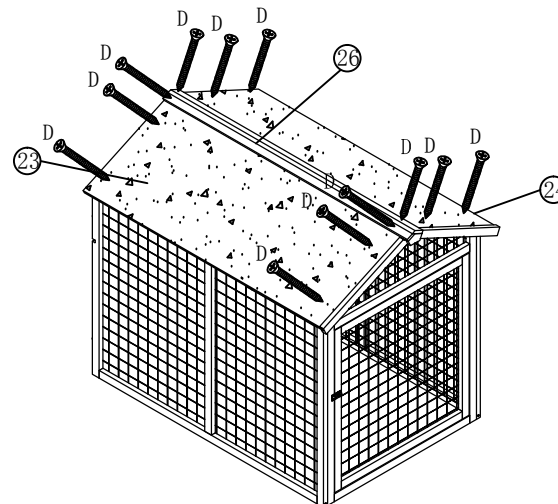
STEP 11

C M4*55 4PCS



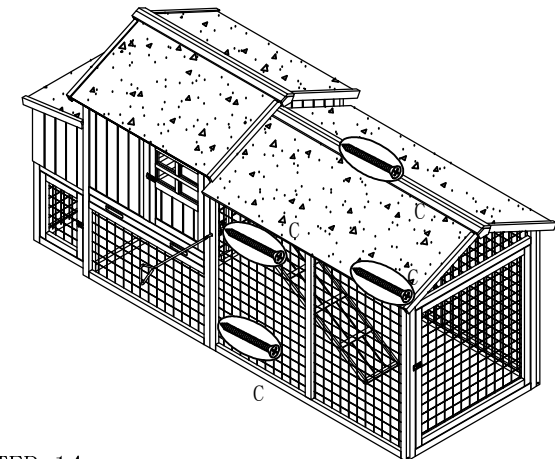
STEP 12

D M3*20 12PCS



STEP 13

C M4*55 4PCS



STEP 14