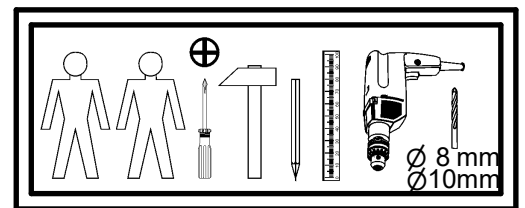
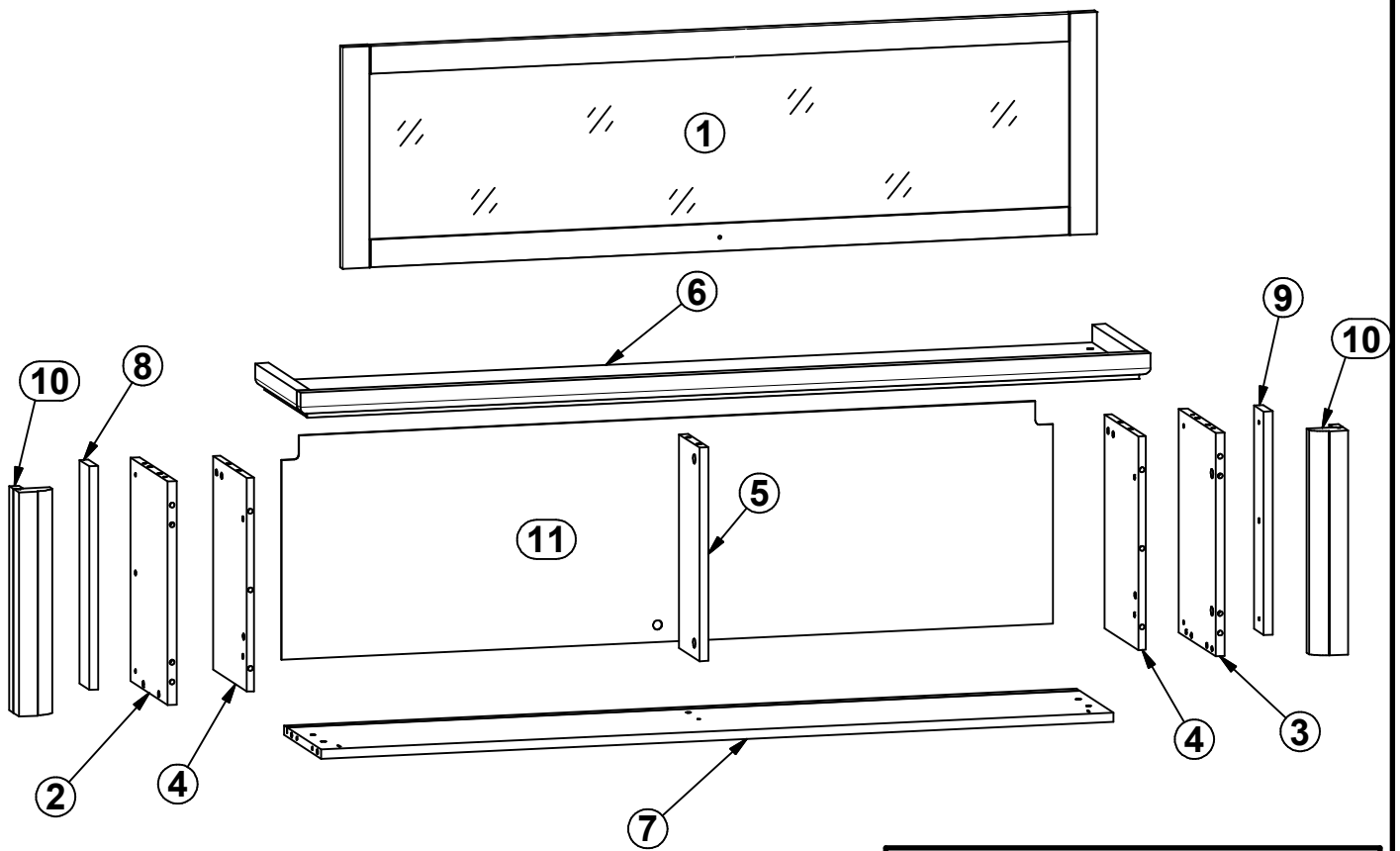
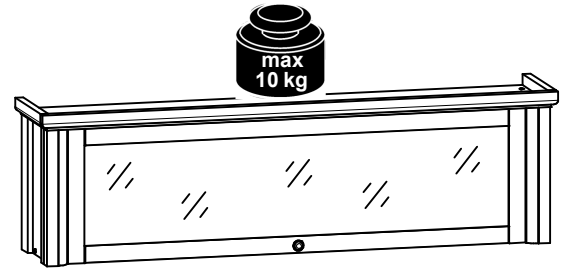
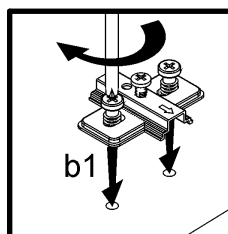
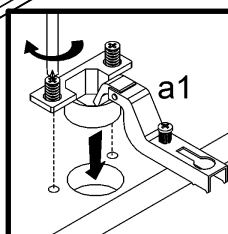
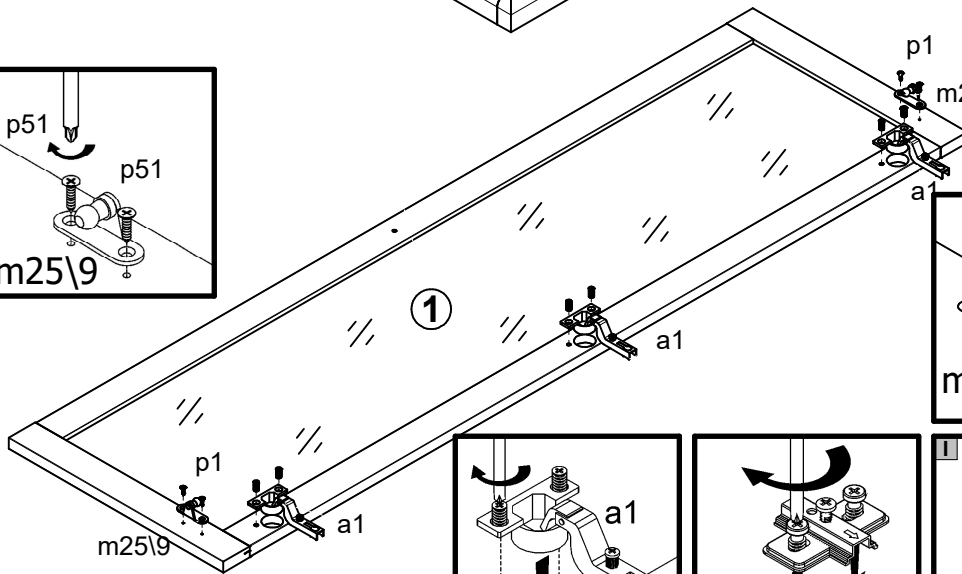
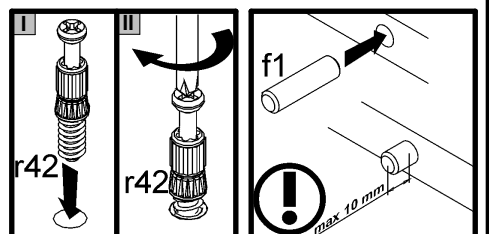
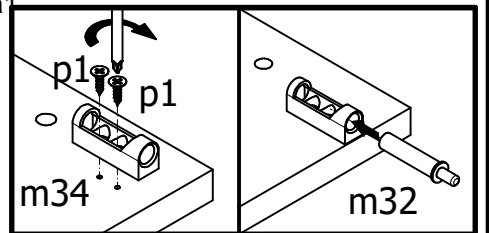
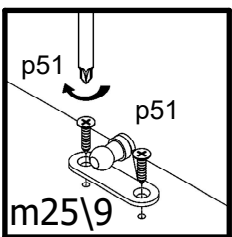
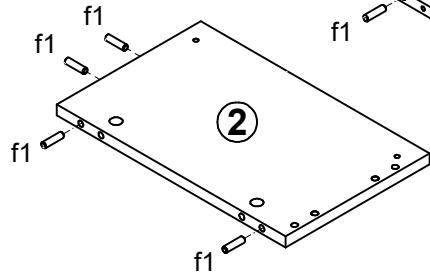
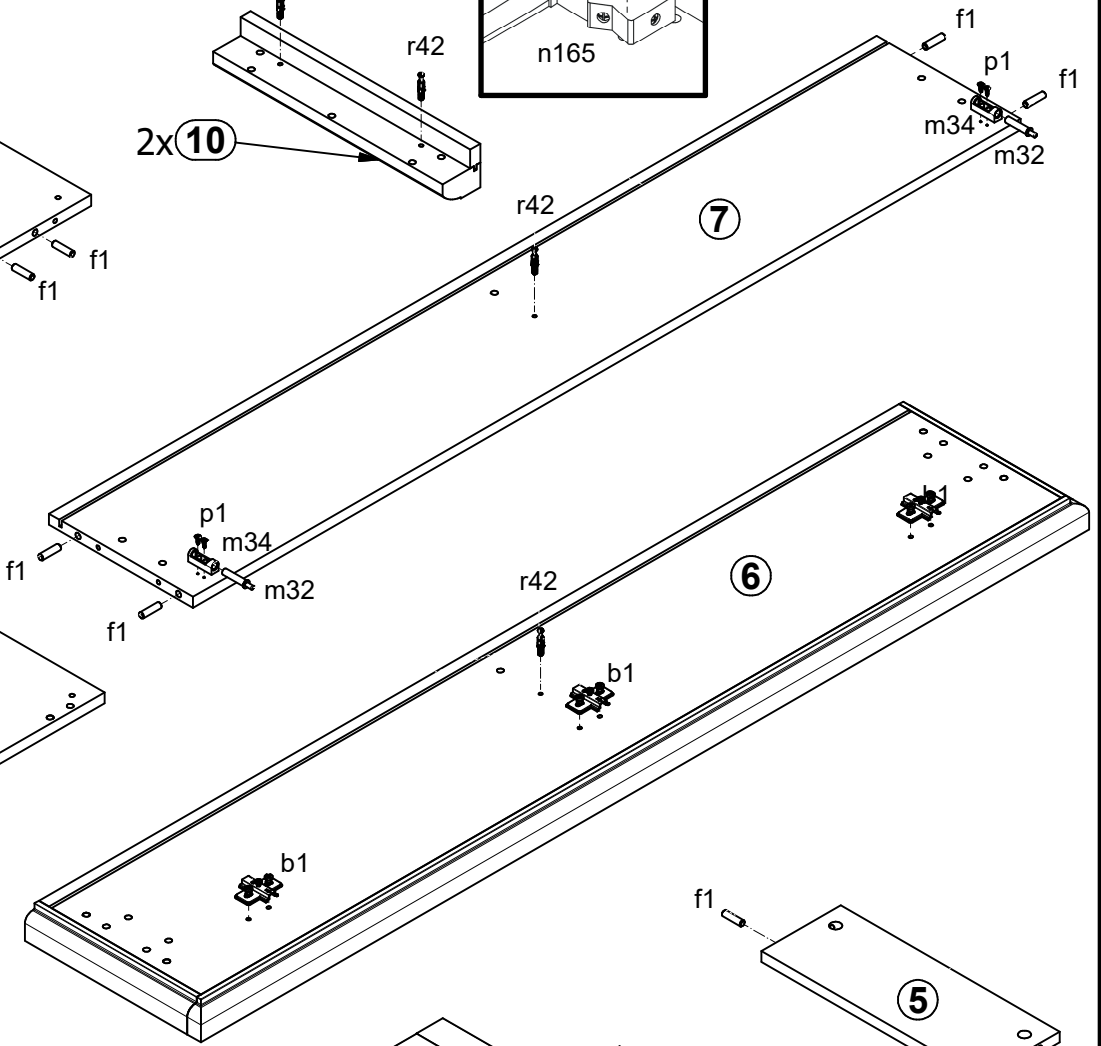
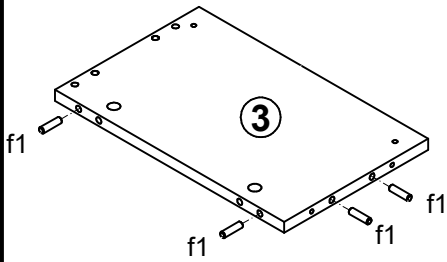
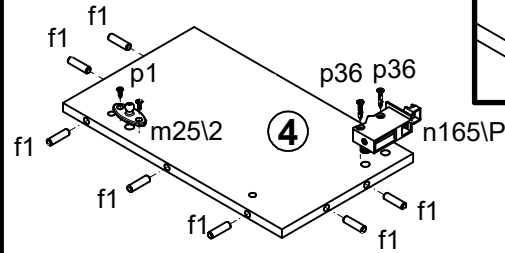
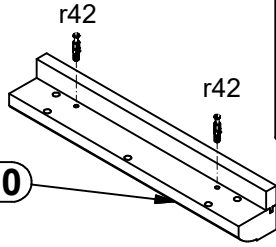
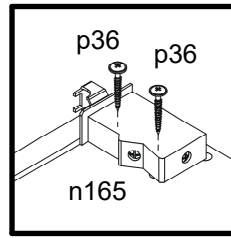
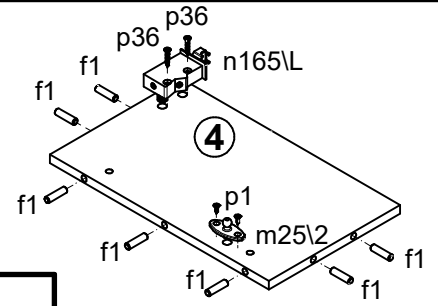
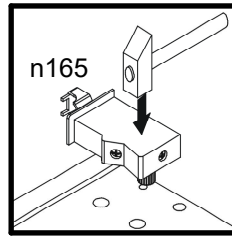
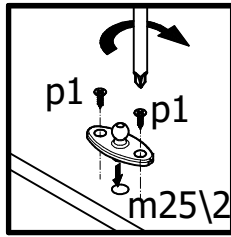


A	B	C		D
1	S423-0009	1253	361	1/1
2	S423-1012	364	229	1/1
3	S423-1013	364	229	1/1
4	S423-1014	348	209	1/1
5	S423-1015	348	126	1/1
6	S423-2005	1412	280	1/1
7	S423-3007	1316	229	1/1
8	S423-5033	364	60	1/1
9	S423-5038	364	60	1/1
10	S423-5039	365	60	1/1
11	S423-9003	1281	364	1/1

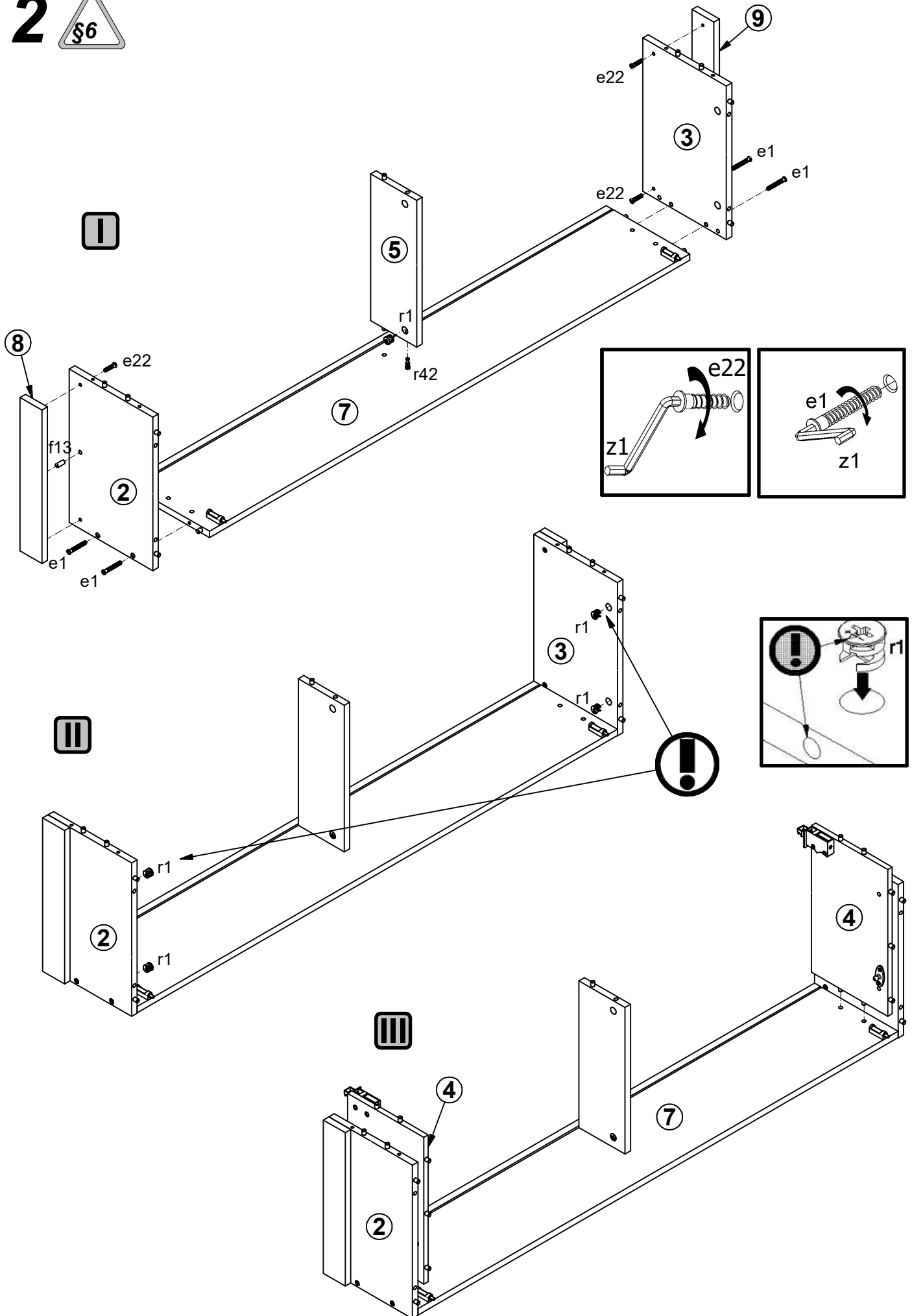


3x K16 a1	3x Ø1.5 b1	1x M4 c415	8x Ø7x50 mm e1	4x Ø7x28 mm e22	28x Ø8x30 mm f1	2x Ø8x20 mm f13	1x M4x20 mm j1	10x 1.4x20 mm l1
6x i2	2x m25\2	2x 50 N m25\7	2x m25\9	2x m32	2x m34	1x n165\L	1x n165\P	1x 30x15x16\2 n211
12x Ø3.5x13 mm p1	4x Ø4x25 mm p36	1x Ø4x13 mm p93	6x Ø15x12 mm #16 r1	6x 20/11 r42	2x Ø10x50 mm f35	2x Ø6x60 mm p127	1x Ø8x40 mm f28	1x Ø5x45 mm p74
8x Ø14x0.5 mm s59	3x Ø 20mm s68	1x 4 mm z1						

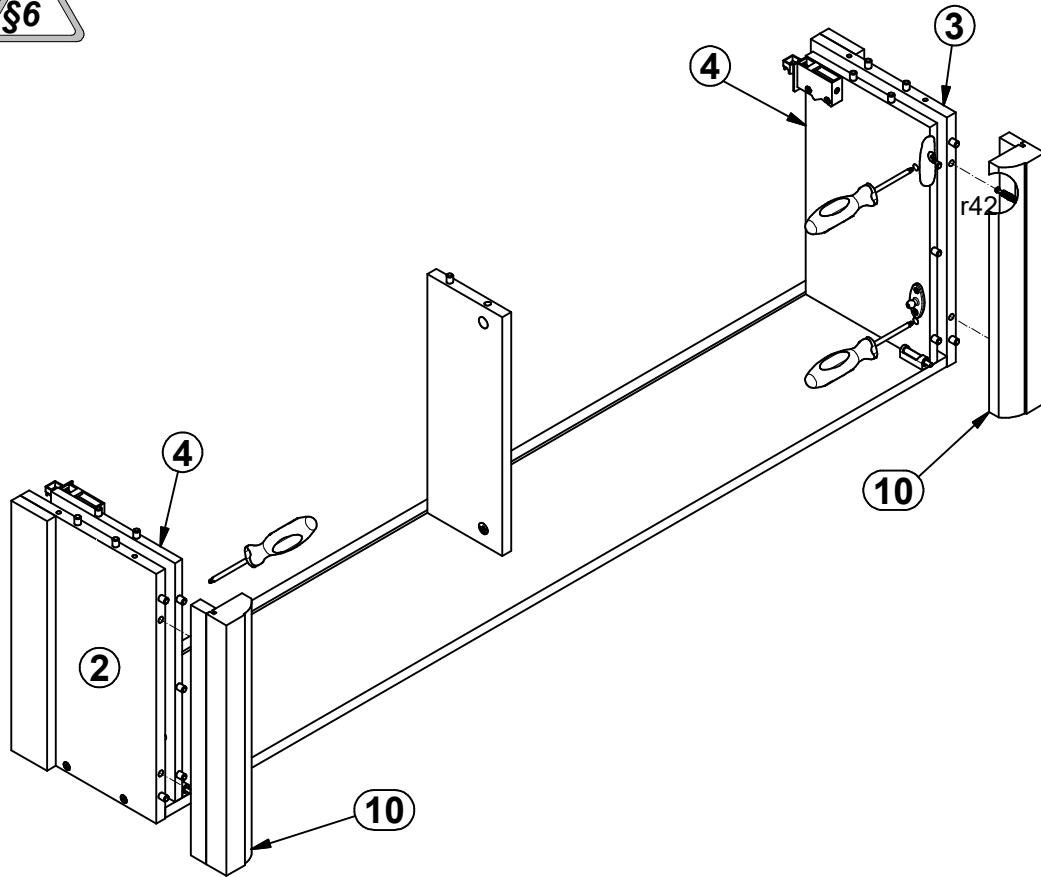
1 



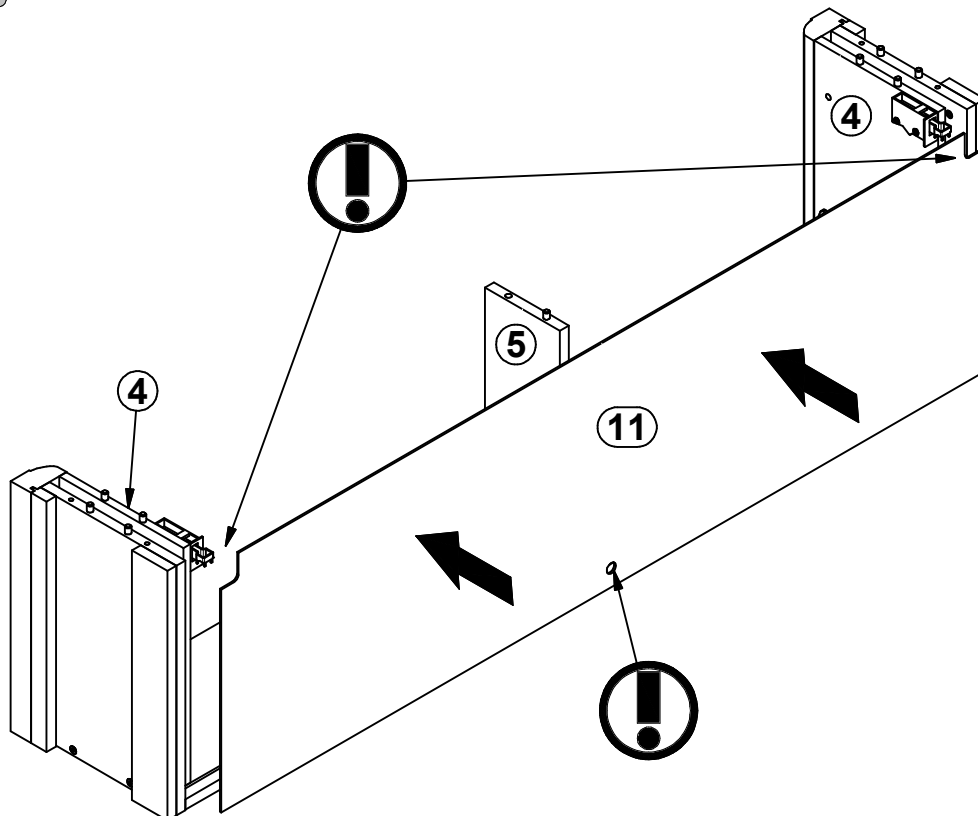
2



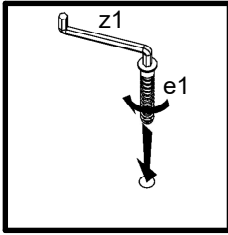
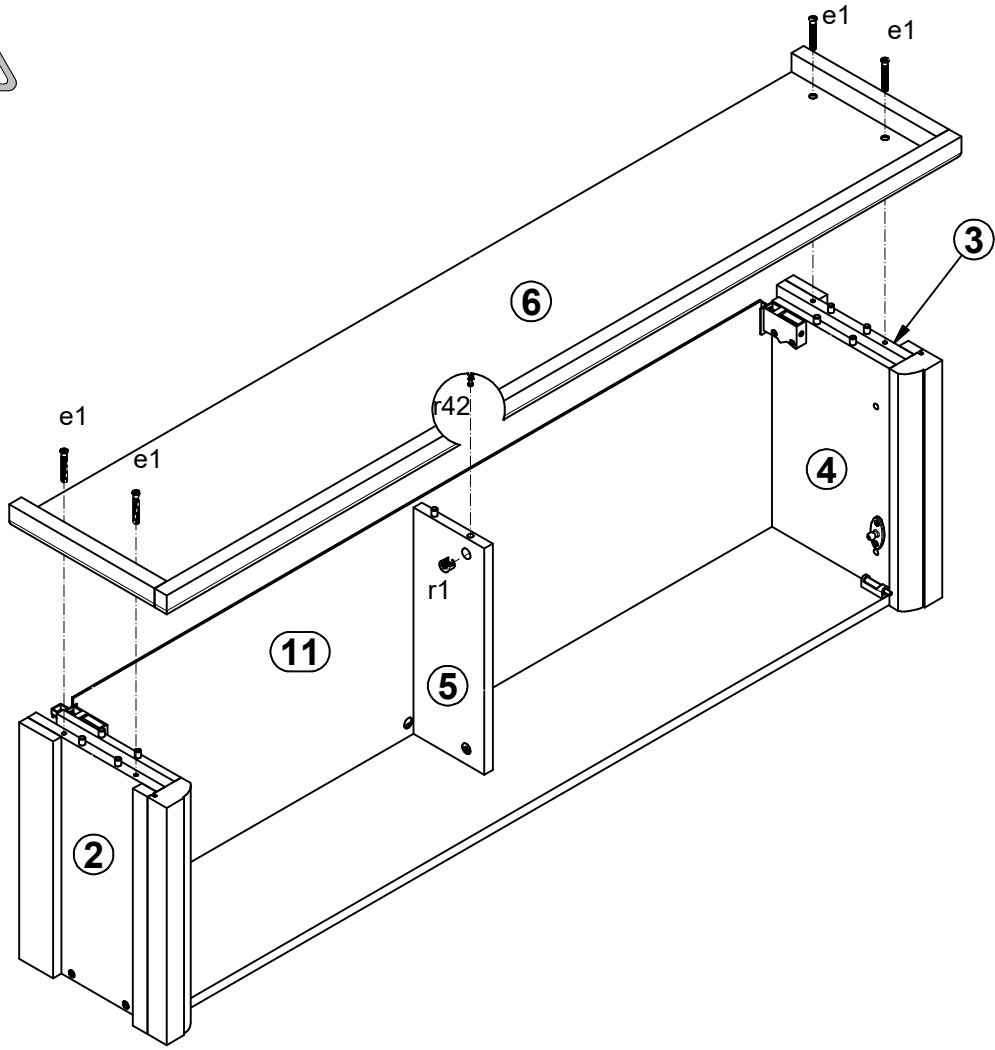
3 §6



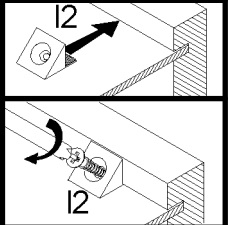
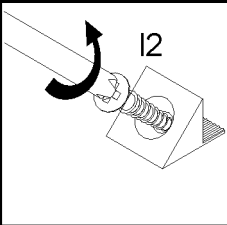
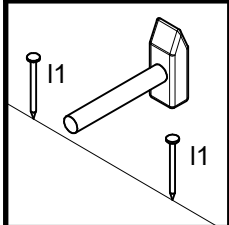
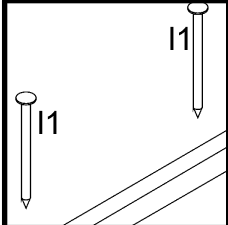
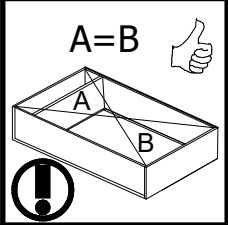
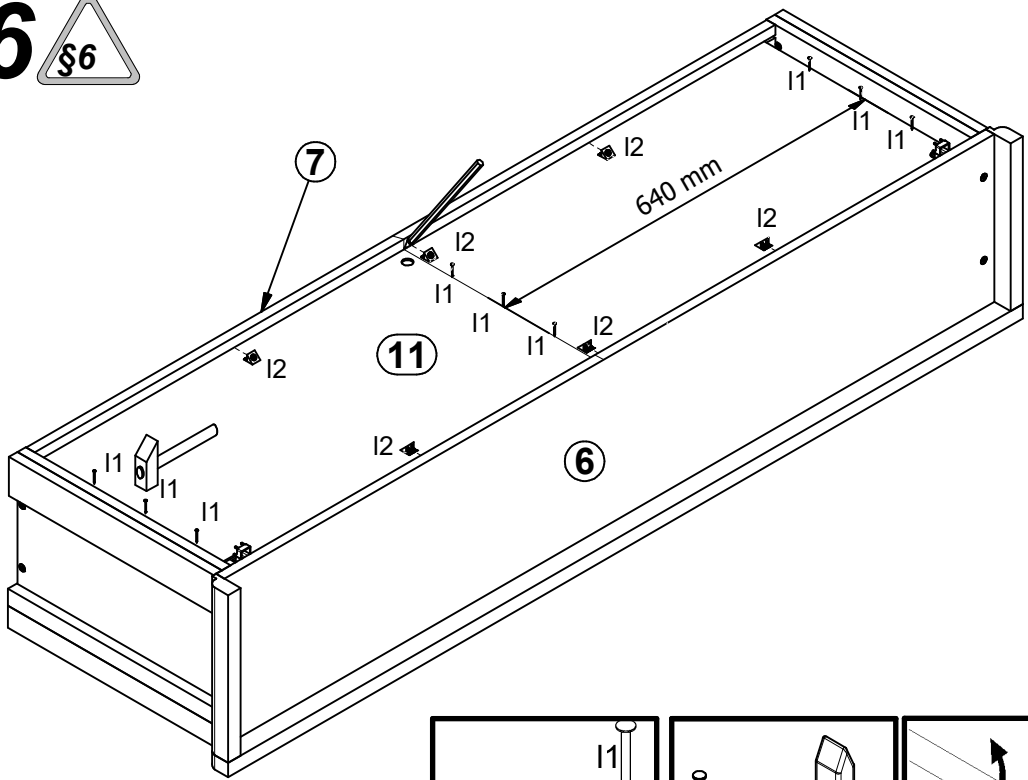
4 §6



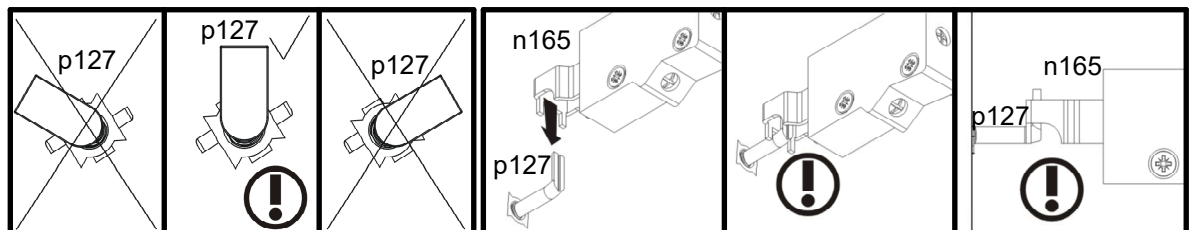
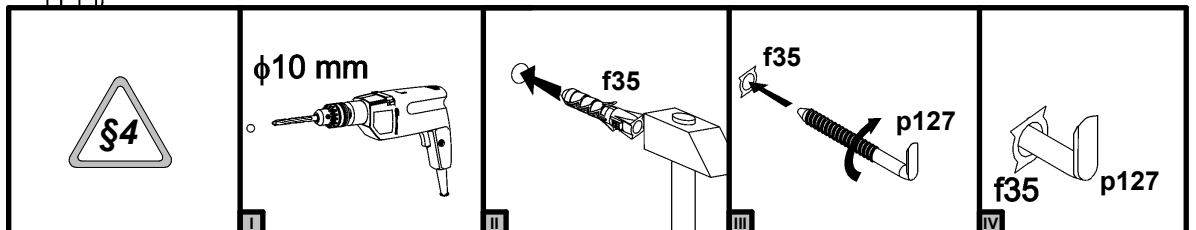
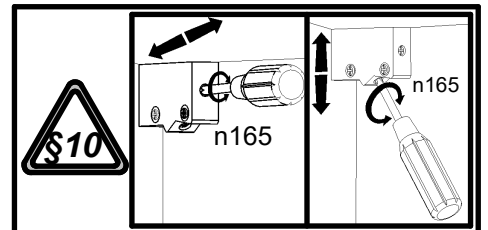
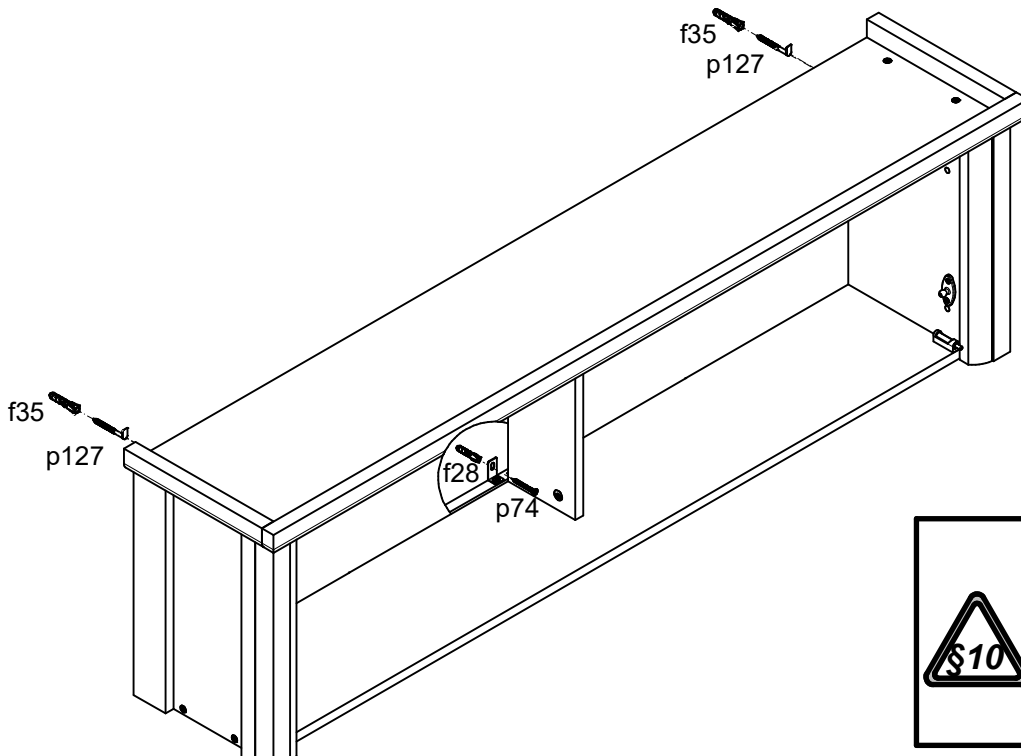
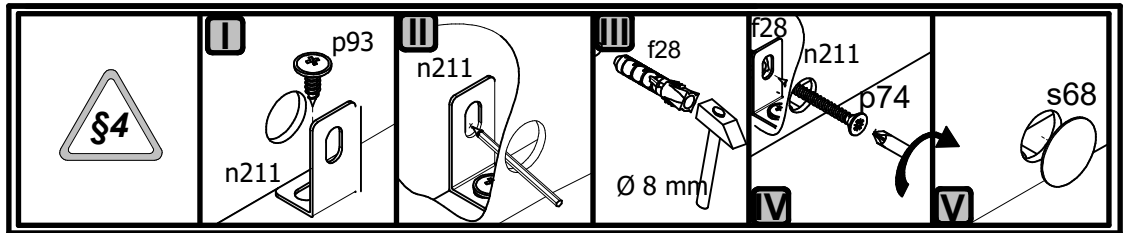
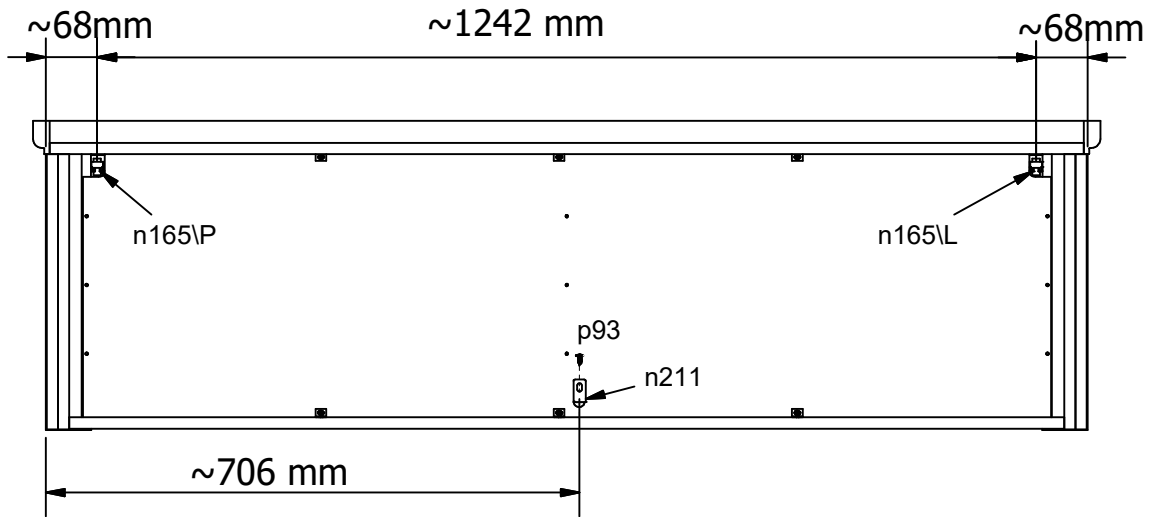
5



6



7



8

