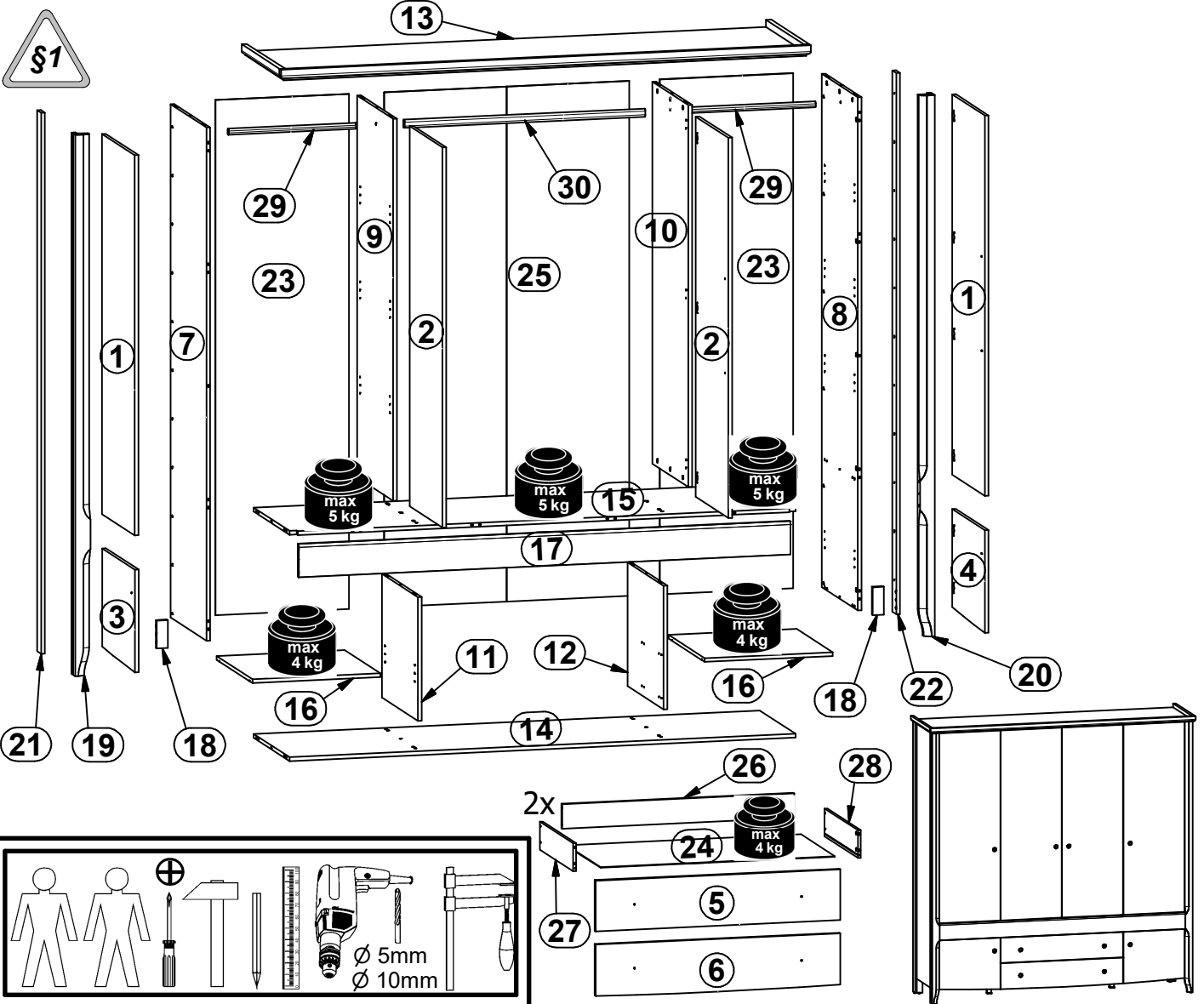
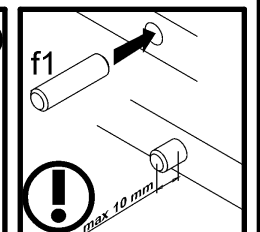
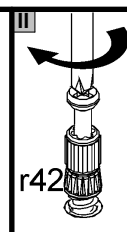
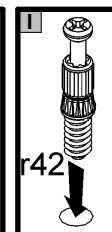
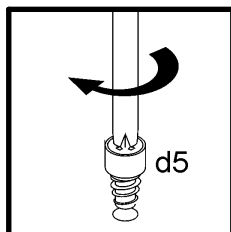
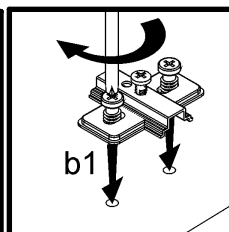
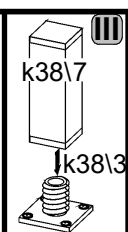
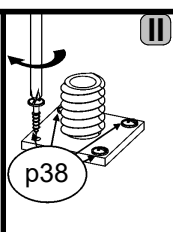
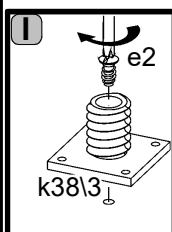
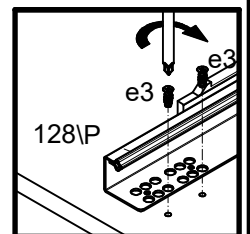
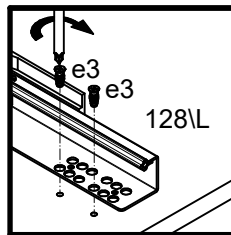
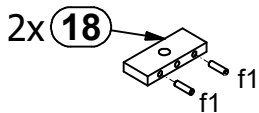
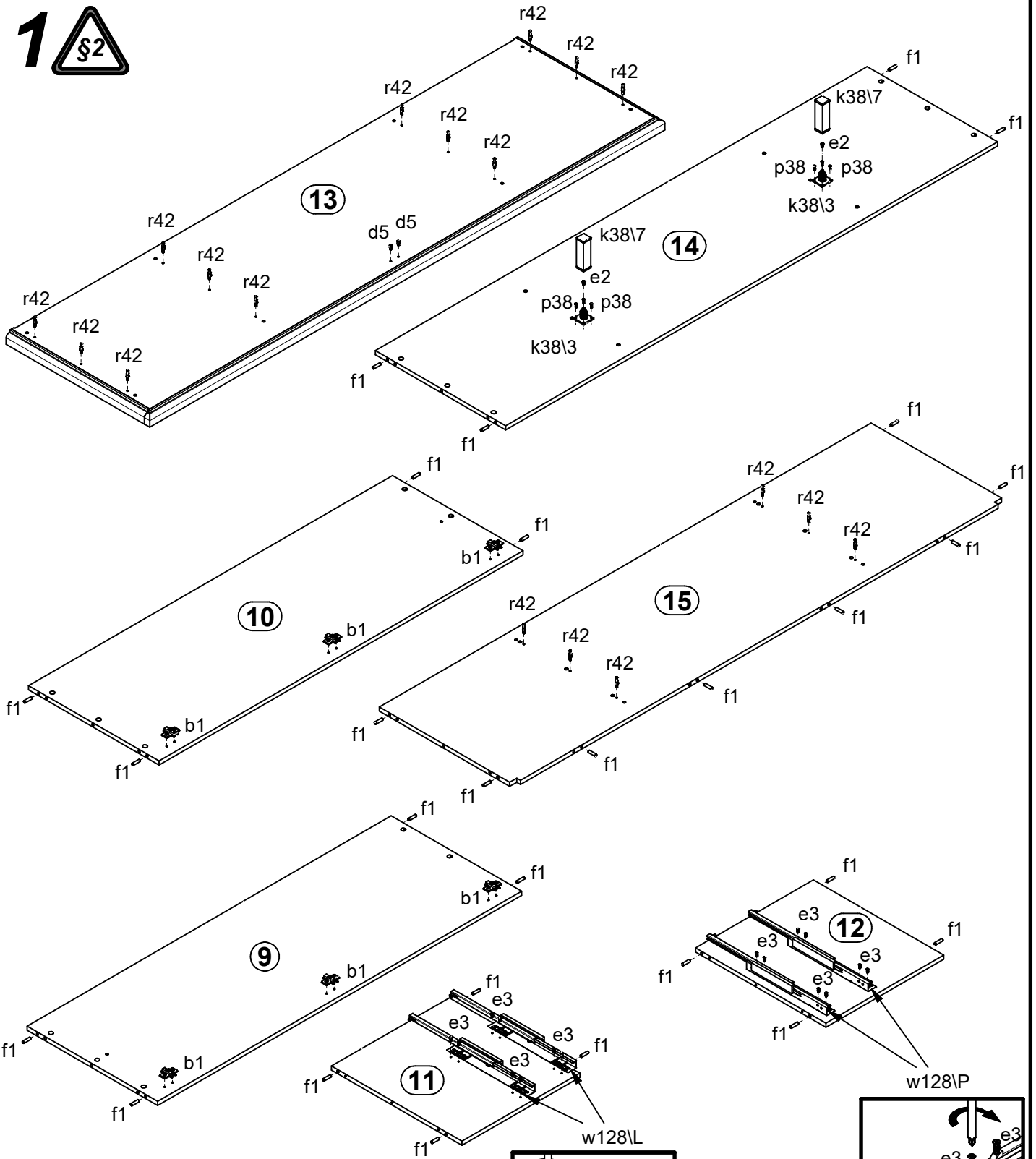


A	B	C	D	A	B	C	D	A	B	C	D			
1	S423-0018	1500	491	7/7	11	S423-1031	488	540	4/7	21	S423-5054	2135	60	6/7
2	S423-0019	1500	491	7/7	12	S423-1032	488	540	4/7	22	S423-5055	2135	60	6/7
3	S423-0020	405	491	2/7	13	S423-2009	2132	595	3/7	23	S423-9009	2032	537	3/7
4	S423-0021	405	491	2/7	14	S423-3014	2036	540	2/7	24	S423-9011	943	507	3/7
5	S423-0022	985	200	2/7	15	S423-3015	2036	555	2/7	25	S423-9305	2032	986	3/7
6	S423-0023	985	208	2/7	16	S423-3016	515	538	3/7	26	ZQ6-5014	933	97	3/7
7	S423-1027	2025	540	1/7	17	S423-4010	1978	130	2/7	27	ZQ6-523	500	110	3/7
8	S423-1028	2025	540	1/7	18	S423-5003	110	45	3/7	28	ZQ6-524	500	110	3/7
9	S423-1029	1507	540	4/7	19	S423-5052	2135	60	6/7	29	dr-512	512	30	3/7
10	S423-1030	1507	540	4/7	20	S423-5053	2135	60	6/7	30	dr-969	969	30	3/7

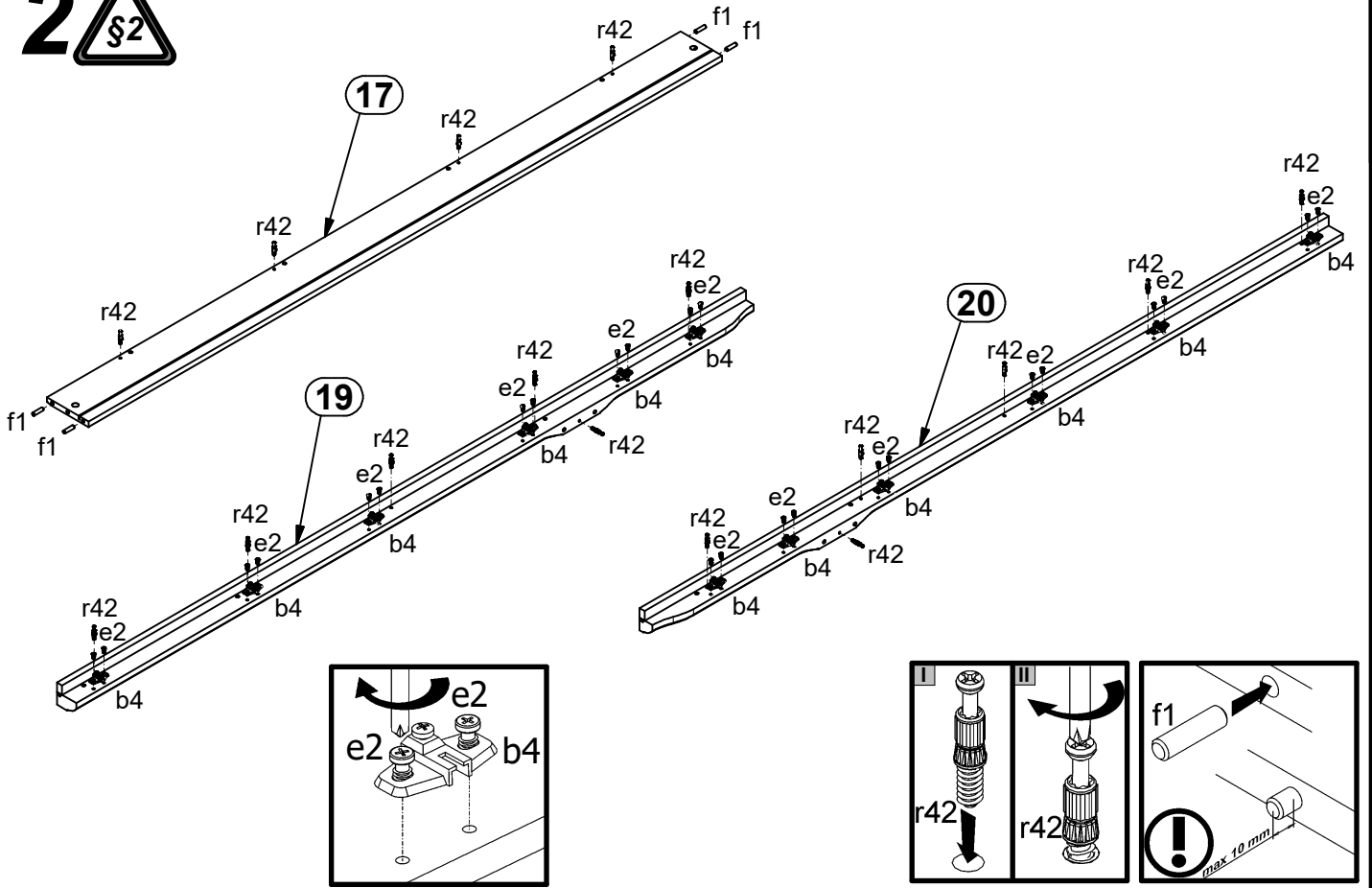


12x  a11	6x  a54	6x  b1	12x  b4	10x  c415	8x  d1	2x  d5	12x  e1	26x  e2
12x  e22	40x  e3	48x  f1	10x  f13	8x  f25	10x  j1	6x  k1	2x  k38/3	2x  k38/7
100x  l1	20x  n108	6x  n158	8x  o21	6x  p1	4x  p25	4x  p35	20x  p38	24x  p55
48x  r1	8x  r15	56x  r42	4x  t34	2x  w128/L	2x  w128/P	12x  s59	28x  s68	1x  z1
				2x  n14/2	4x  p38	2x  f35	2x  p17	

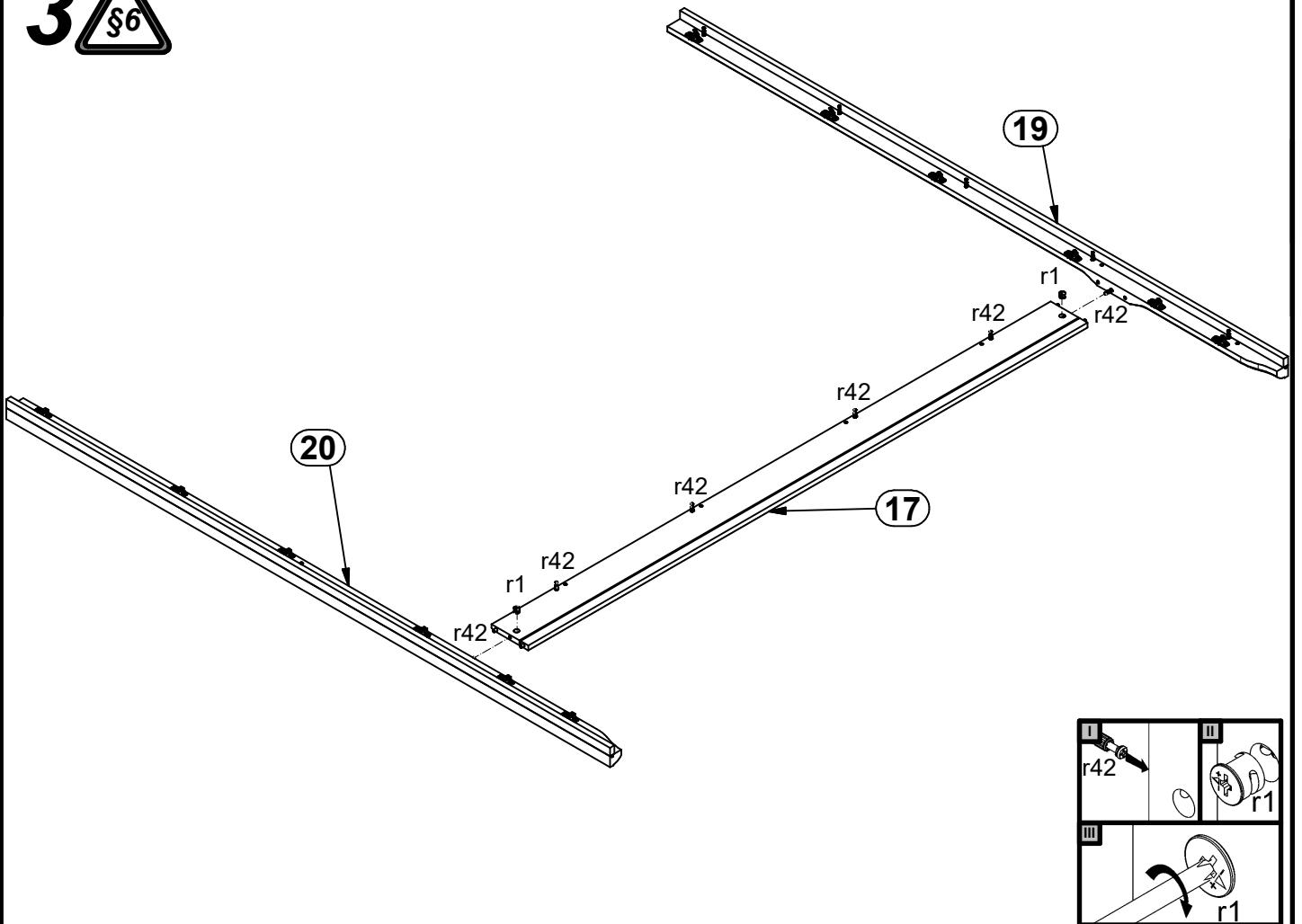
**1** 



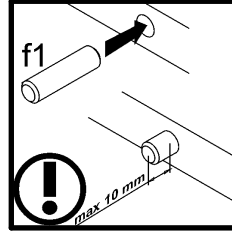
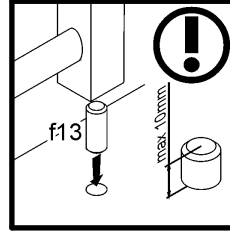
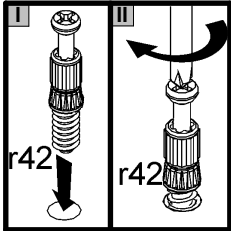
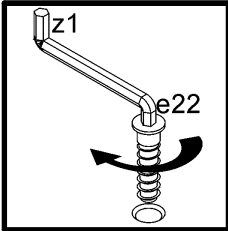
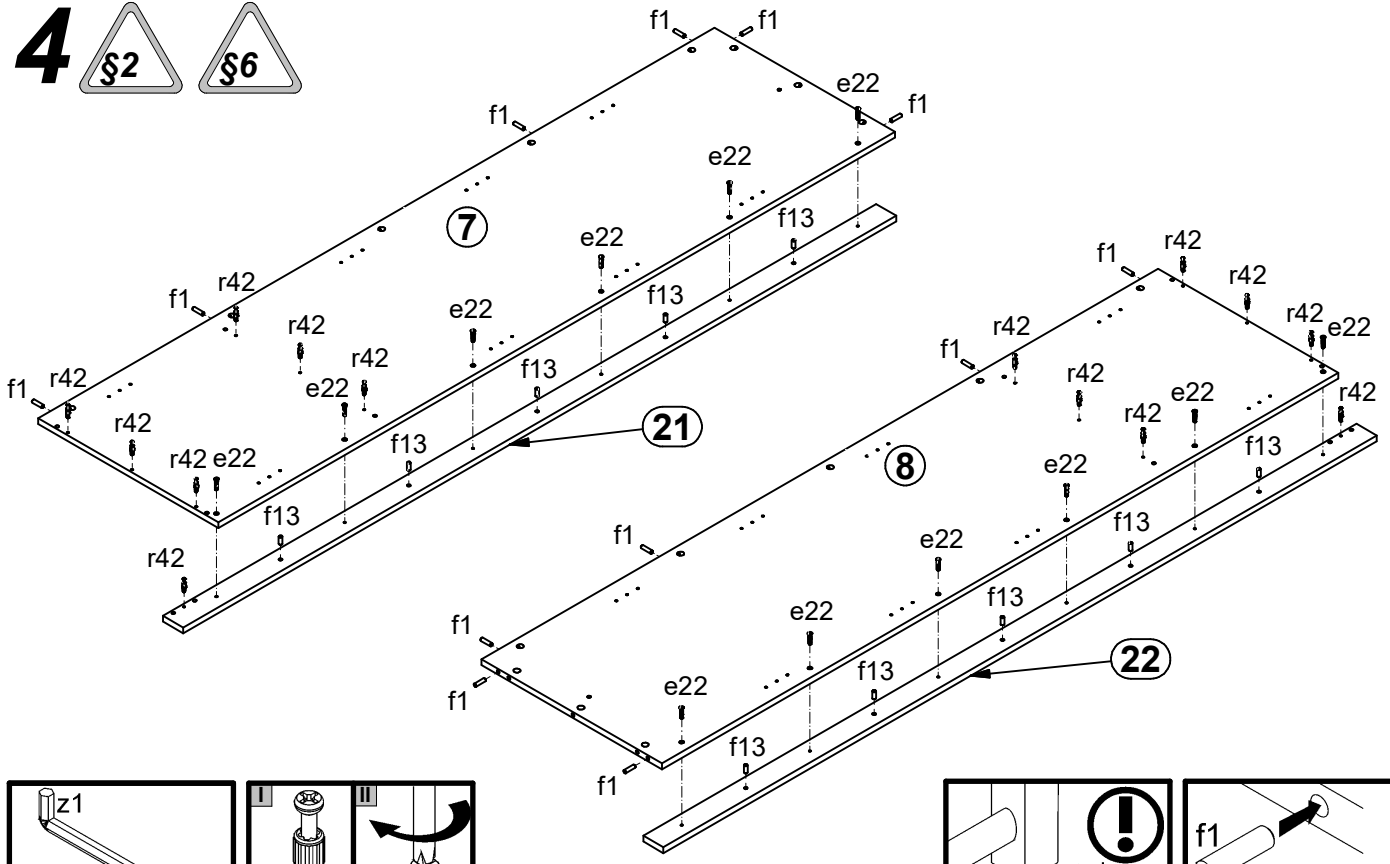
2 



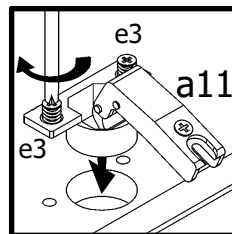
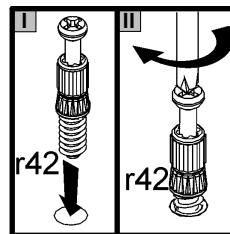
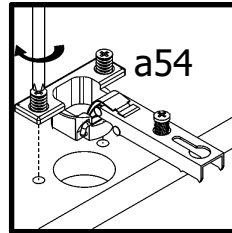
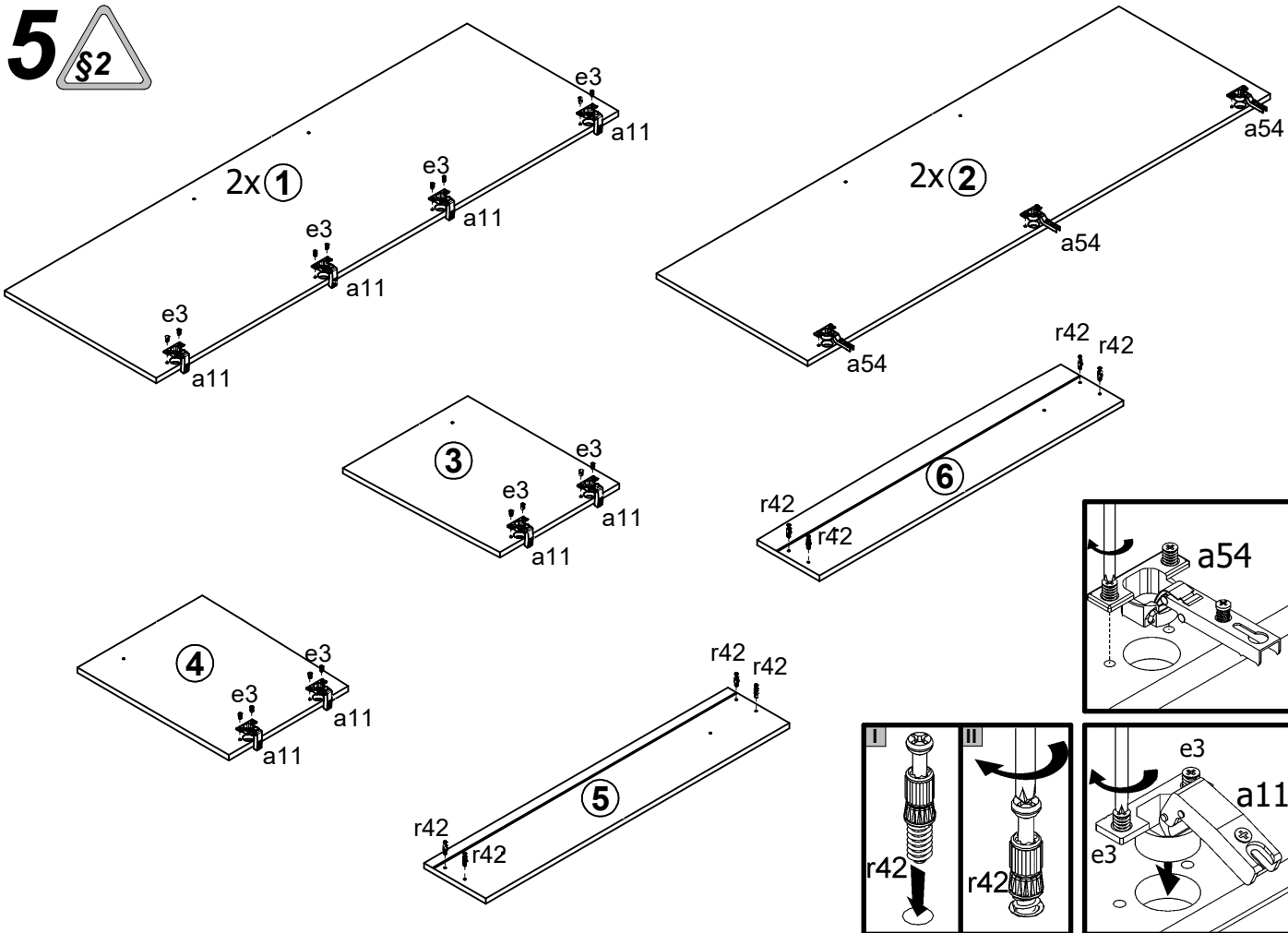
3 



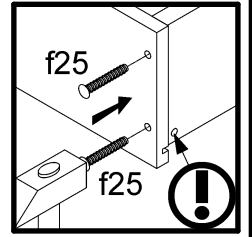
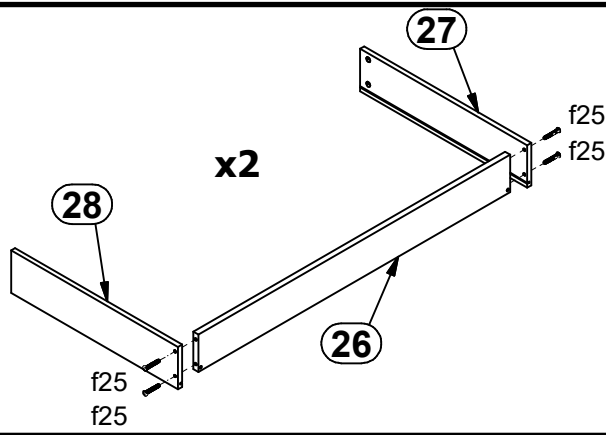
# 4



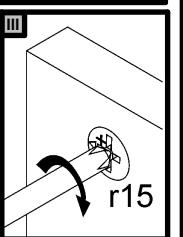
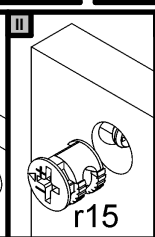
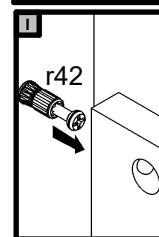
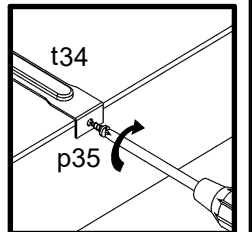
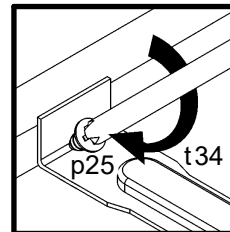
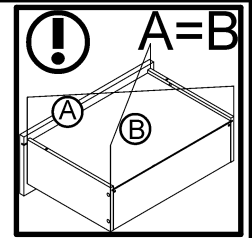
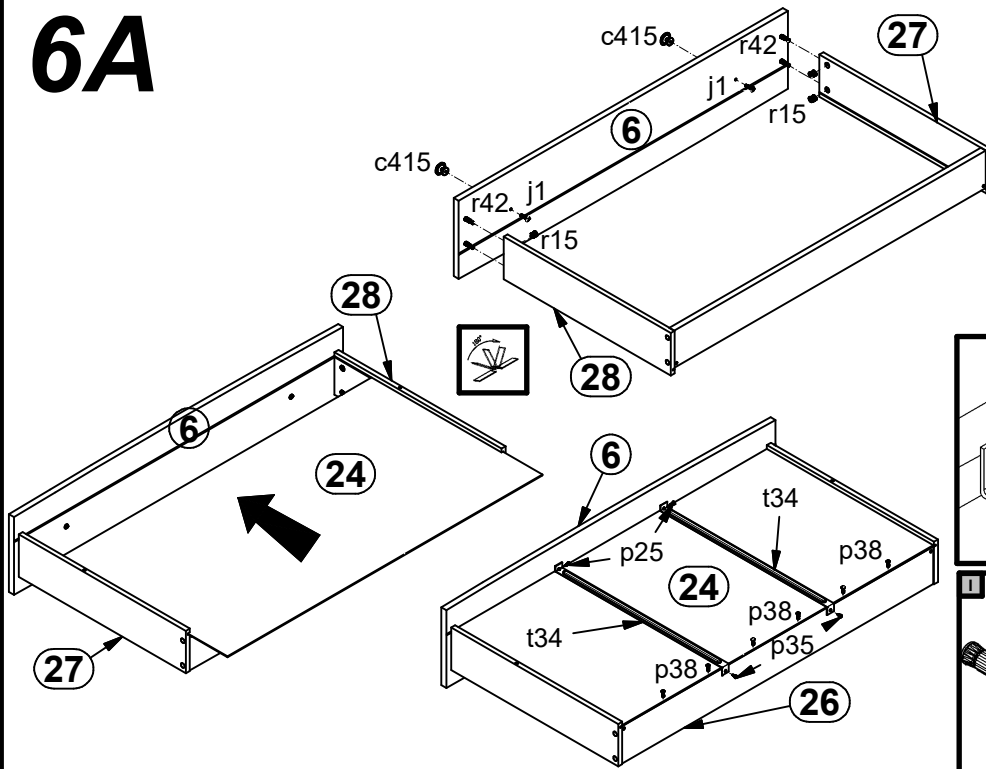
# 5



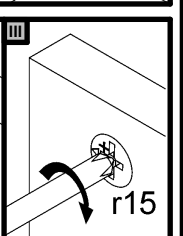
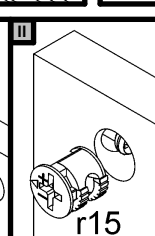
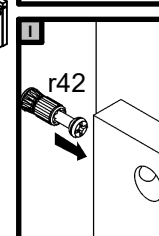
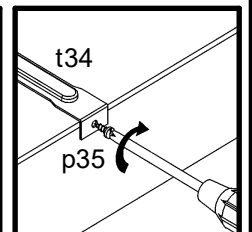
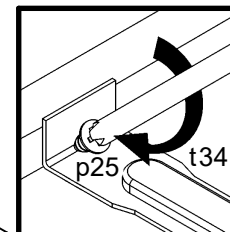
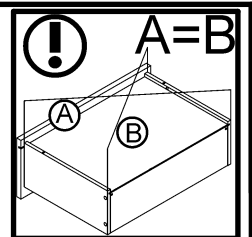
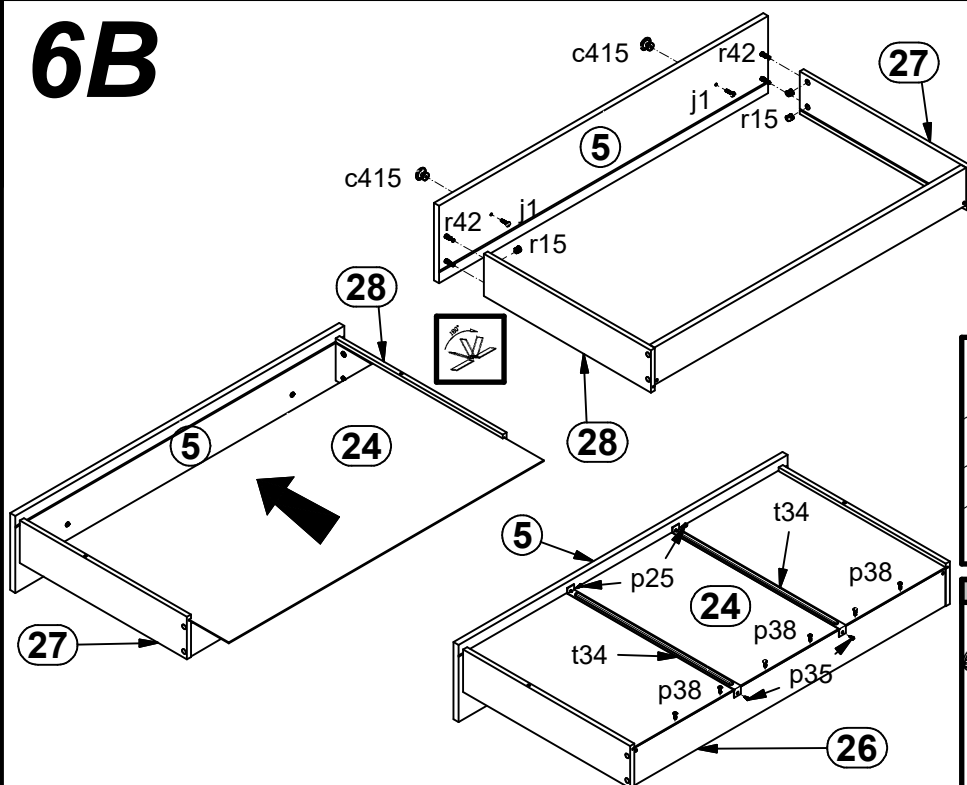
# 6



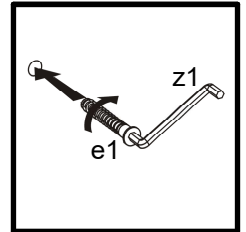
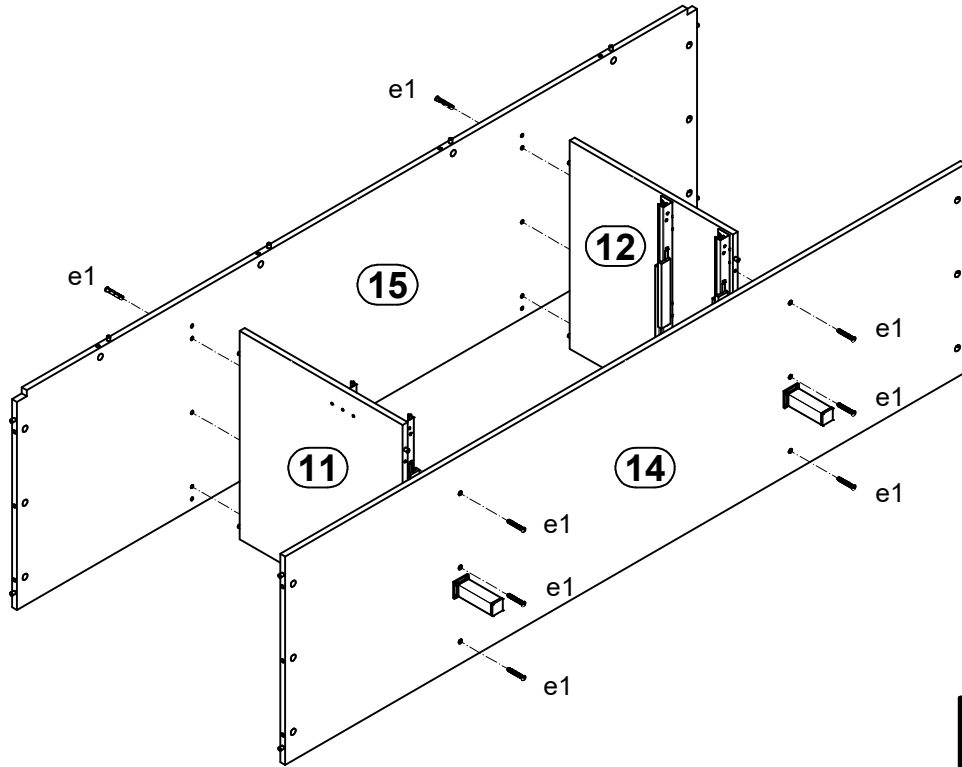
# 6A



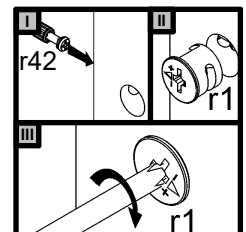
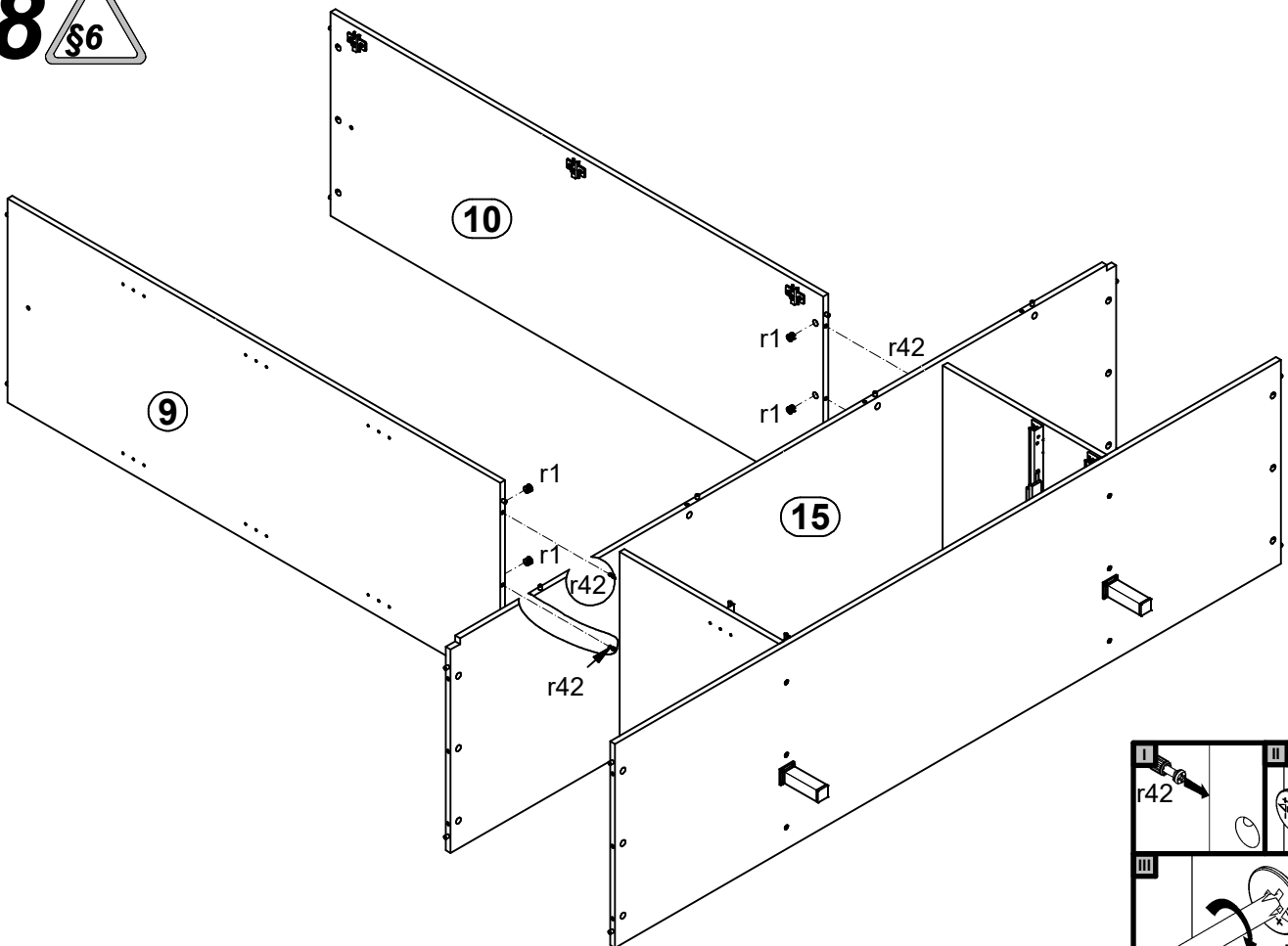
# 6B



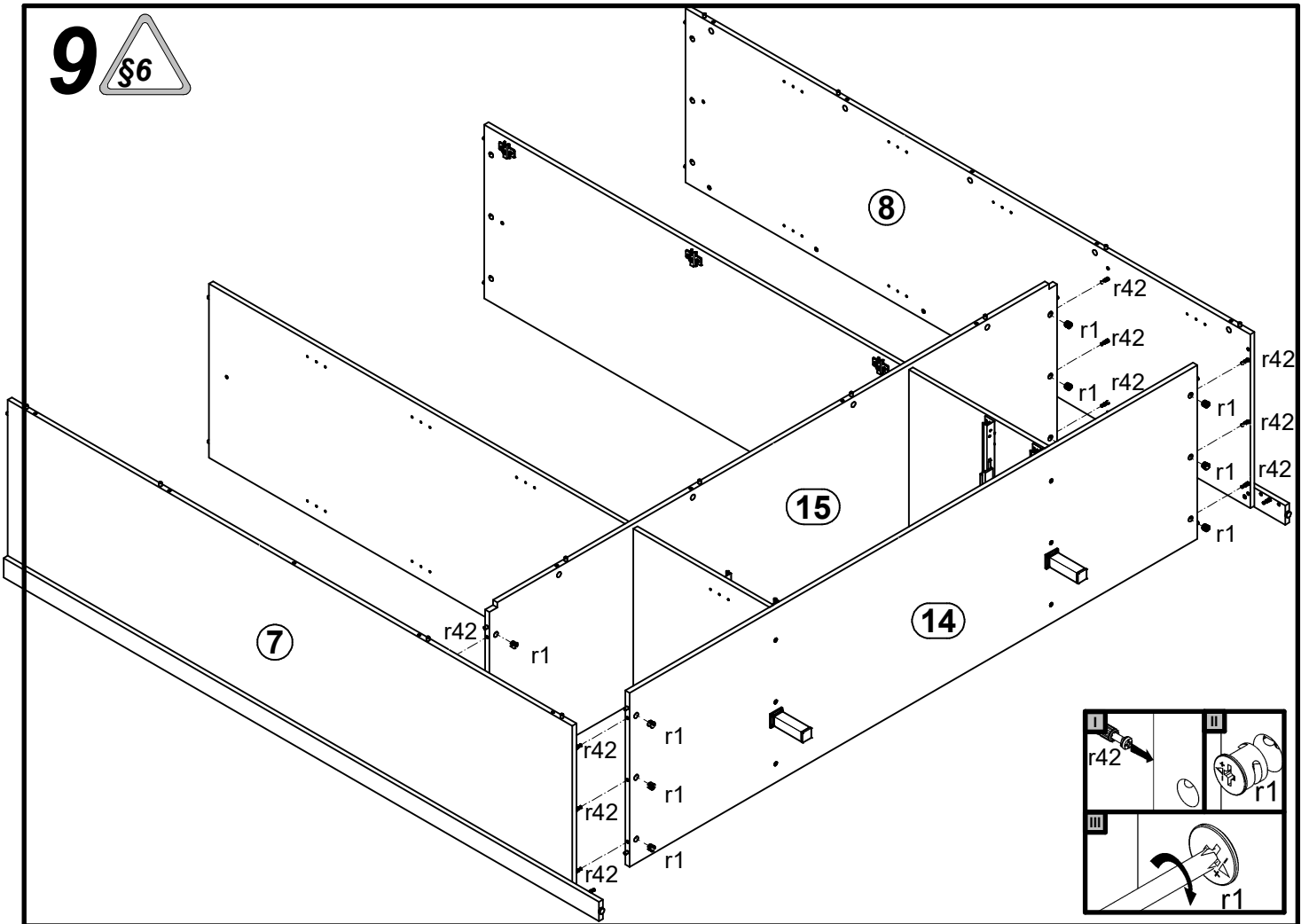
# 7



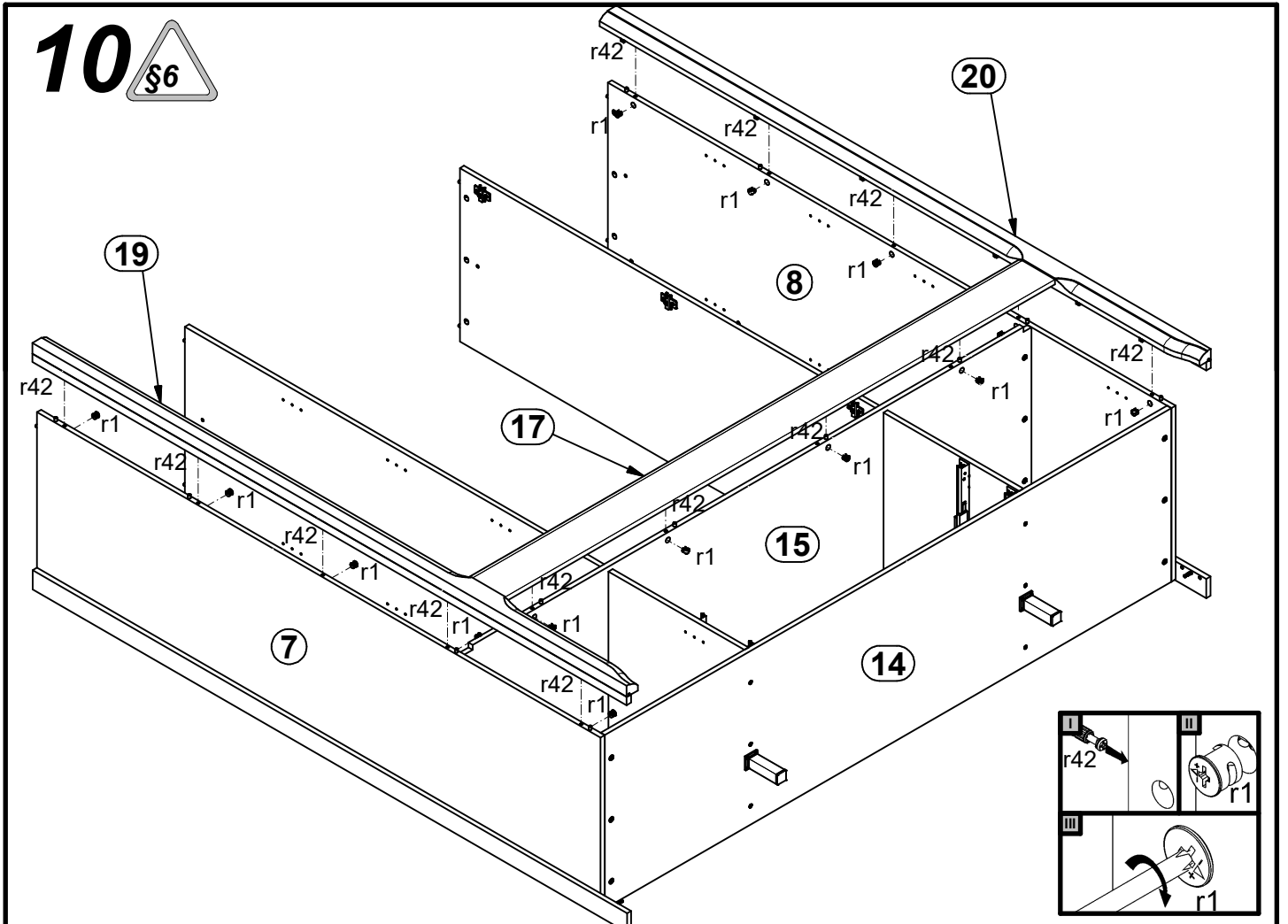
# 8

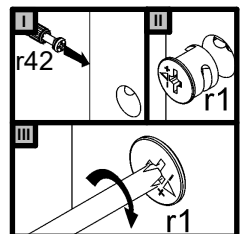
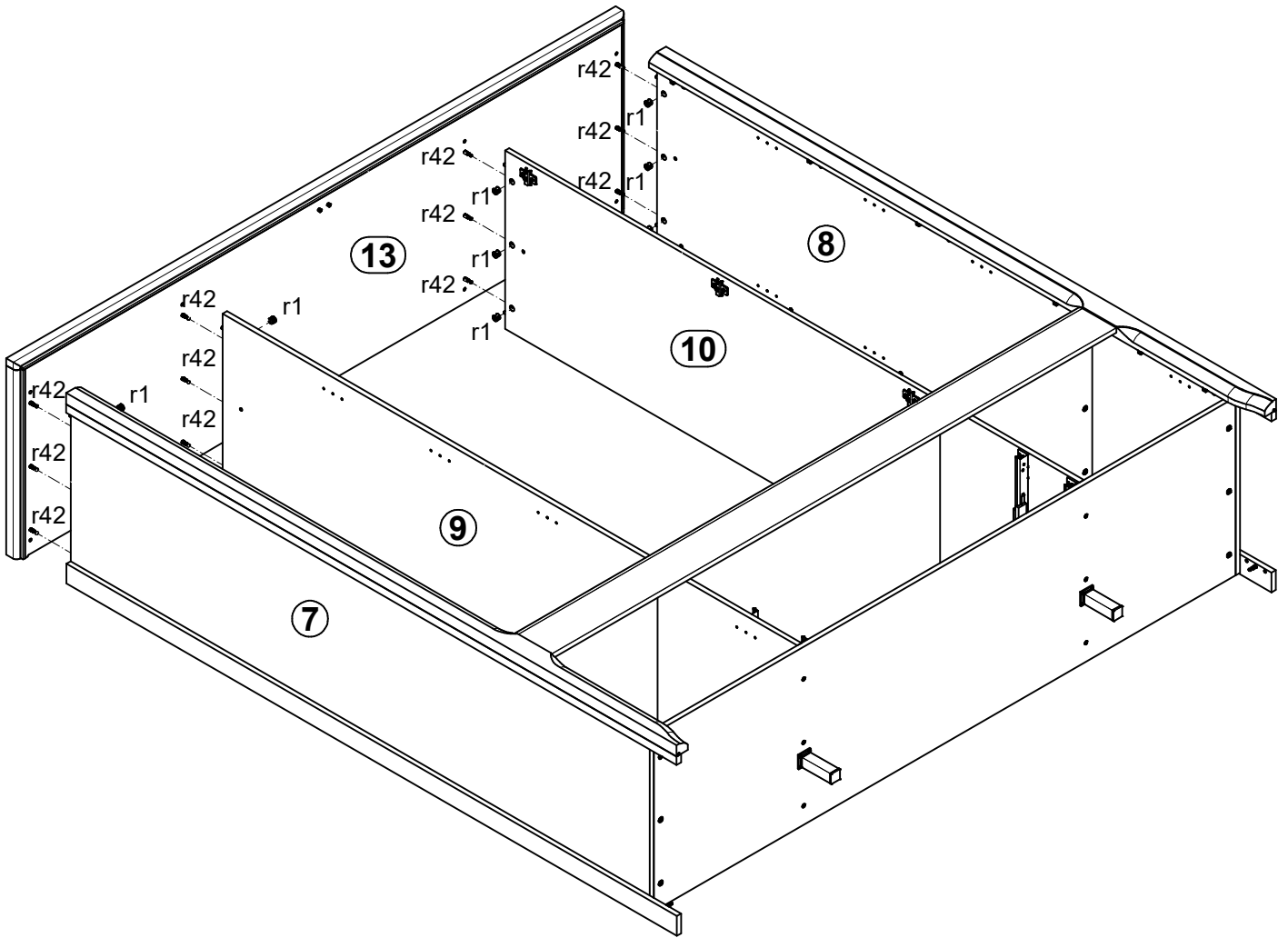


# 9



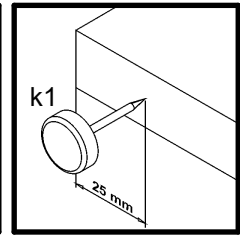
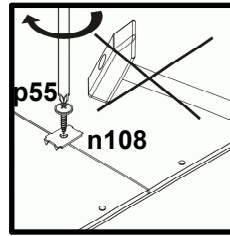
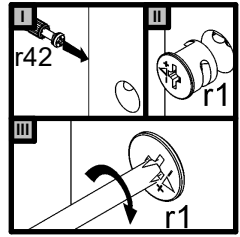
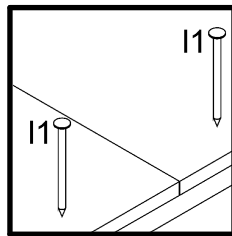
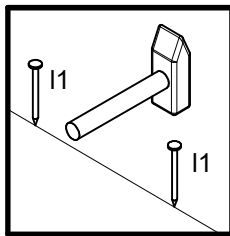
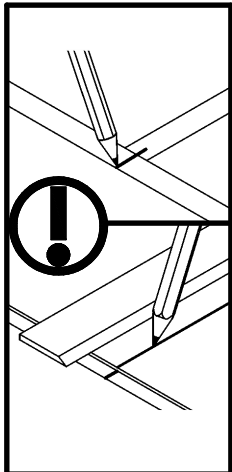
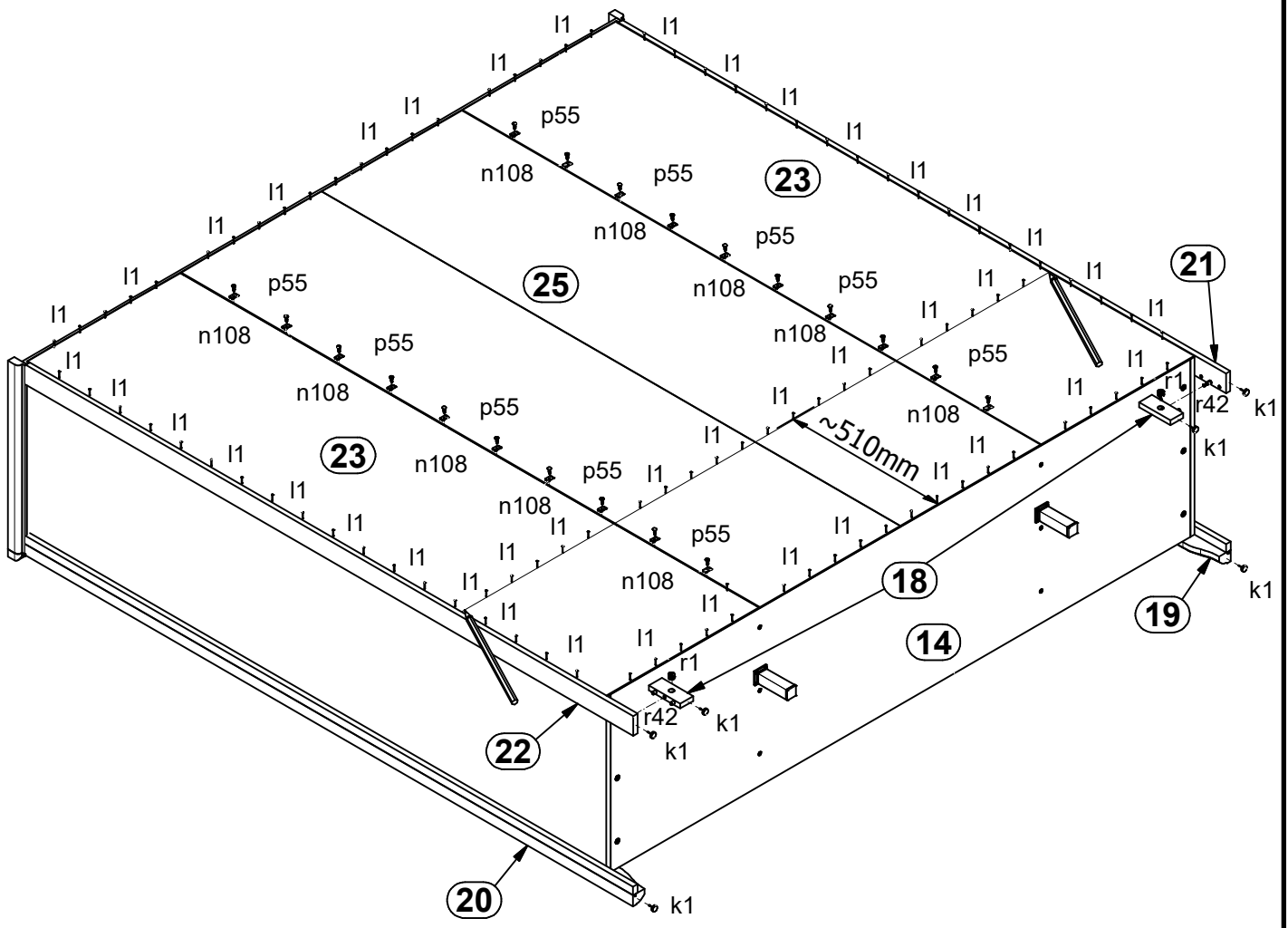
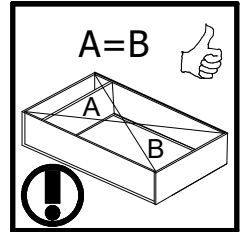
# 10

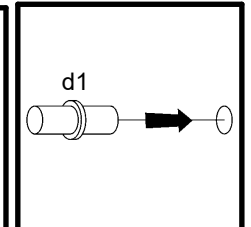
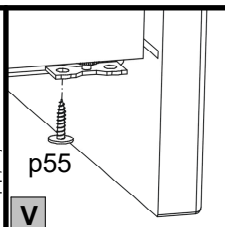
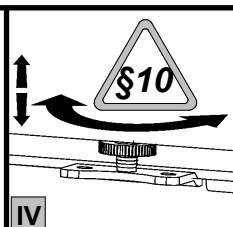
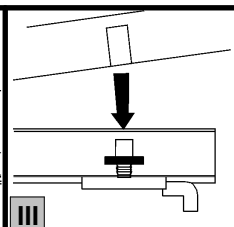
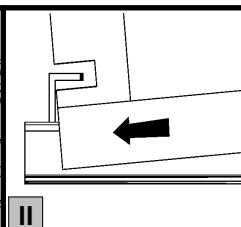
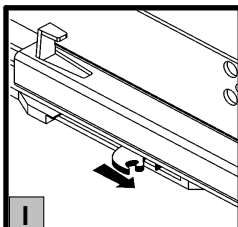
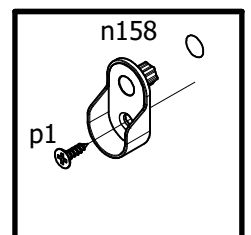
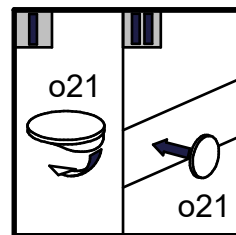
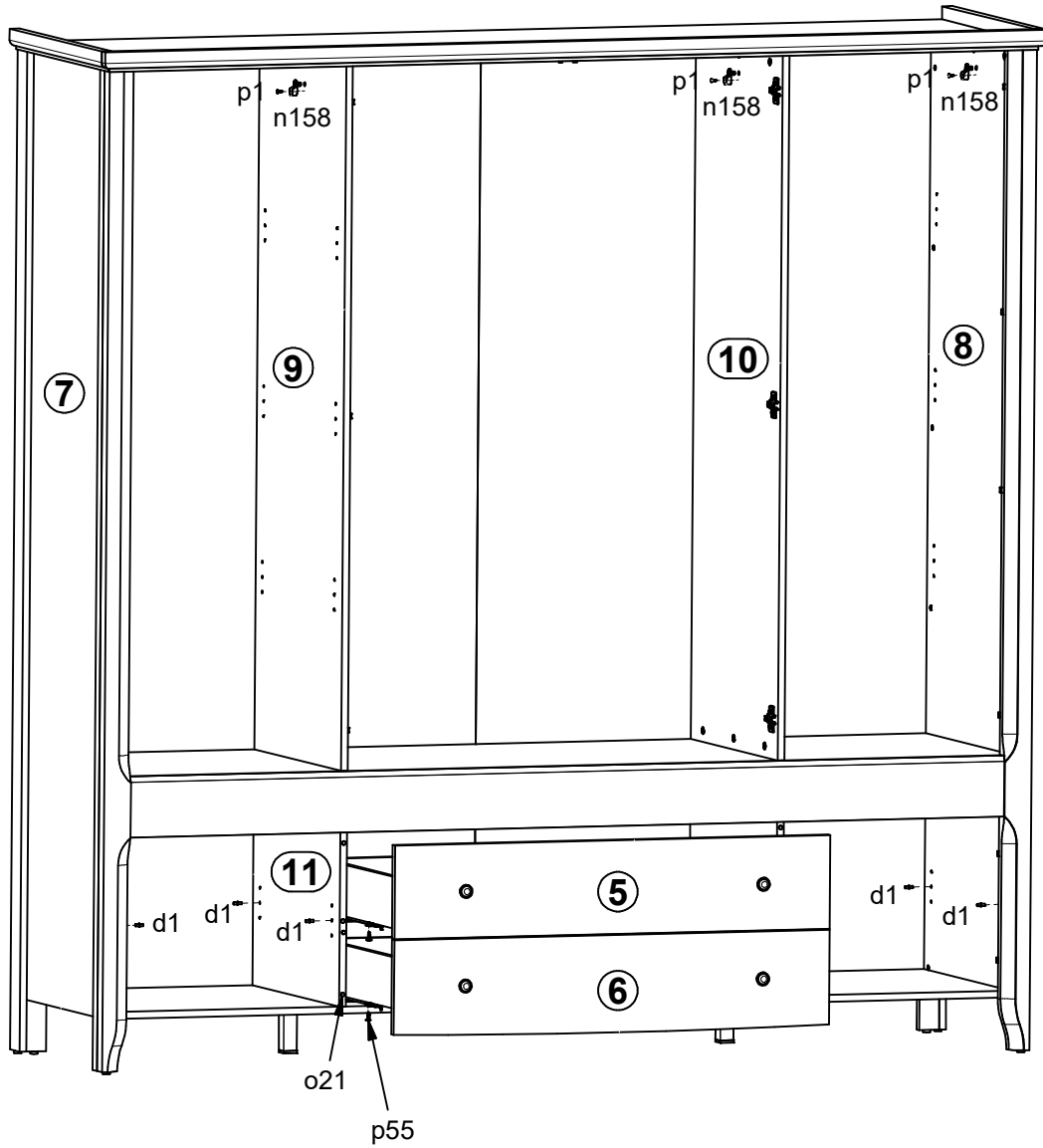






# 12





# 14 §6

