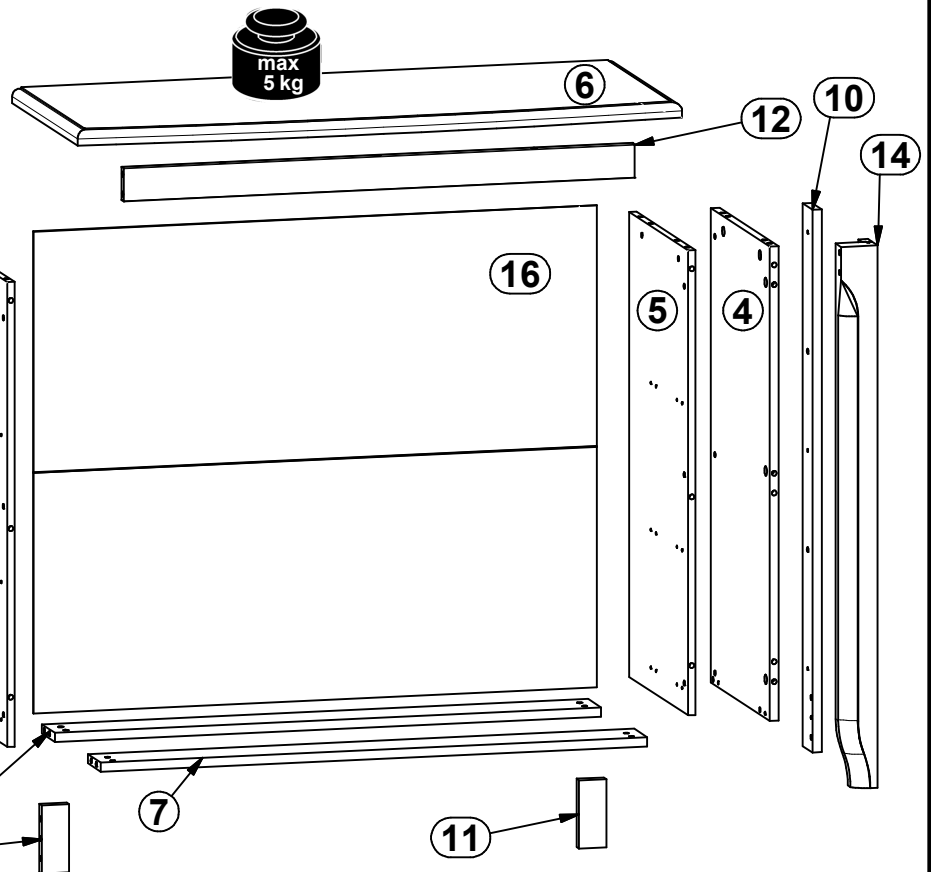
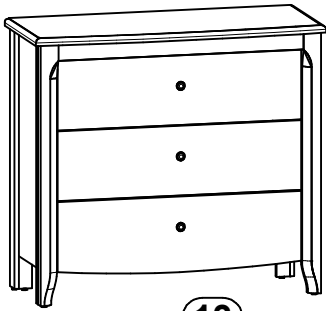
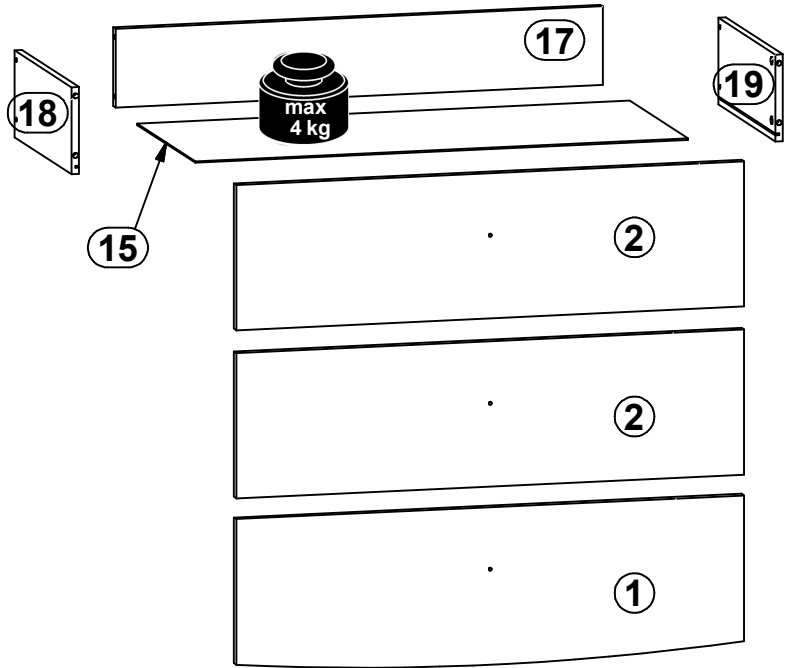
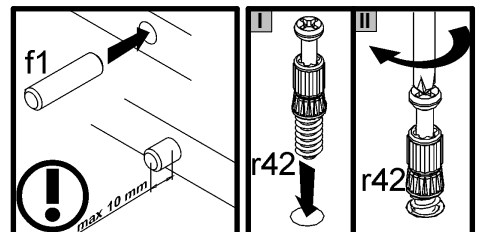
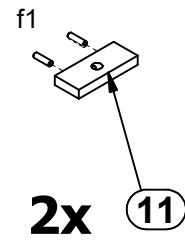
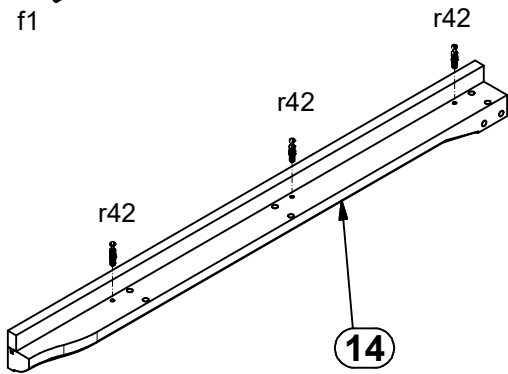
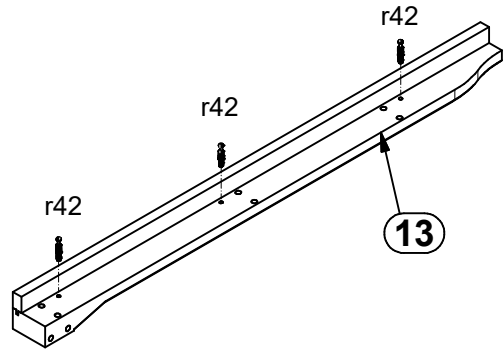
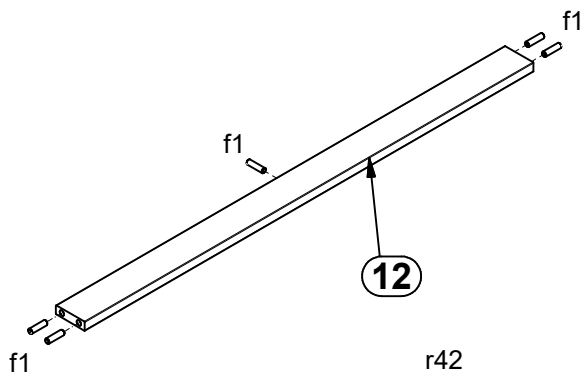
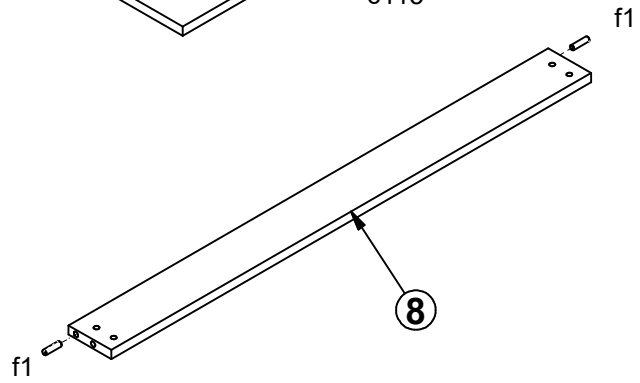
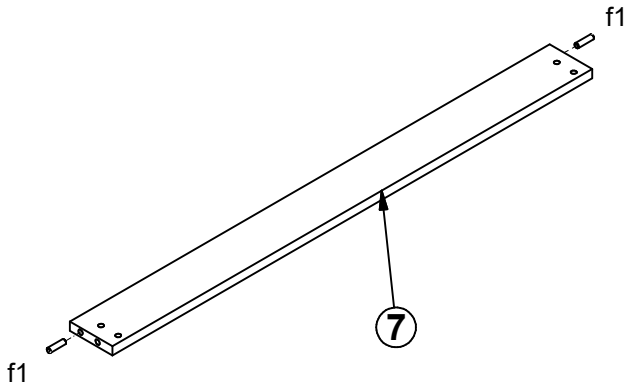
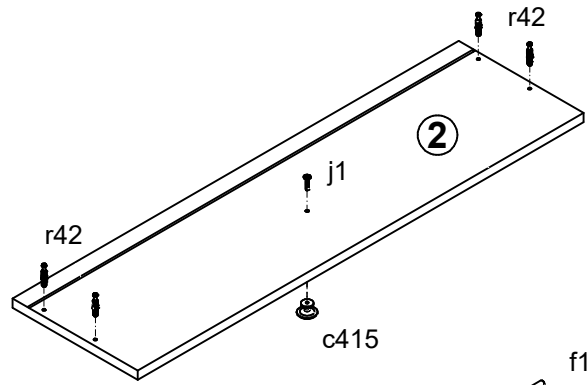
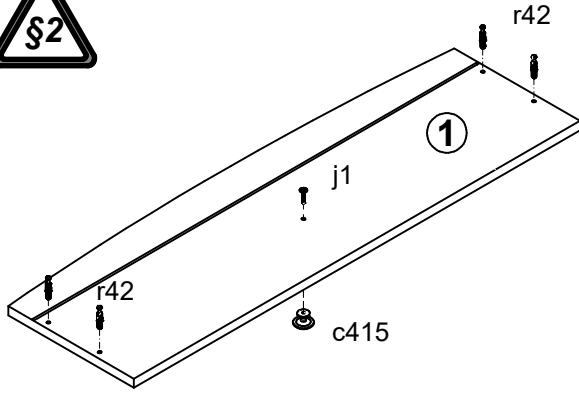


A	B	C	D	
1	S423-0001	835	254	2/2
2	S423-0002	835	234	2/2
3	S423-1001	765	362	1/2
4	S423-1002	765	362	1/2
5	S423-1003	750	362	1/2
6	S423-2001	994	425	2/2
7	S423-4005	898	80	2/2
8	S423-4006	898	80	2/2
9	S423-5001	875	60	2/2
10	S423-5002	875	60	2/2
11	S423-5003	110	45	2/2
12	S423-5004	840	54	2/2
13	S423-5005	875	60	1/2
14	S423-5006	875	60	1/2
15	S423-9001	810	357	1/2
16	S423-9301	926	777	2/2
17	ZQ6-5006	801	127	1/2
18	ZQ6-511	350	140	1/2
19	ZQ6-512	350	140	1/2

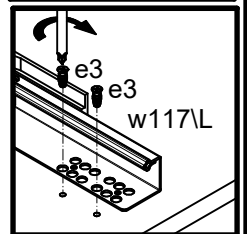
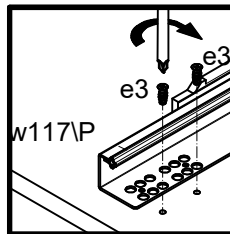
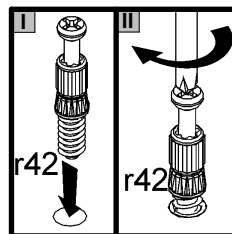
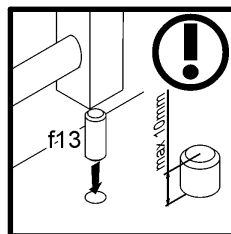
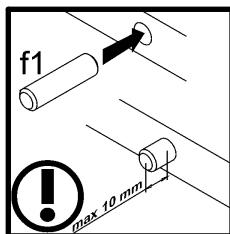
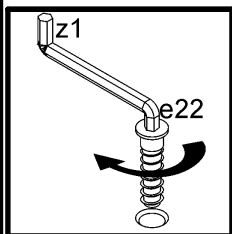
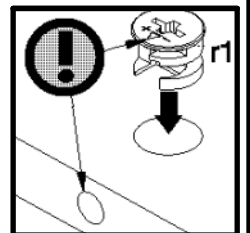
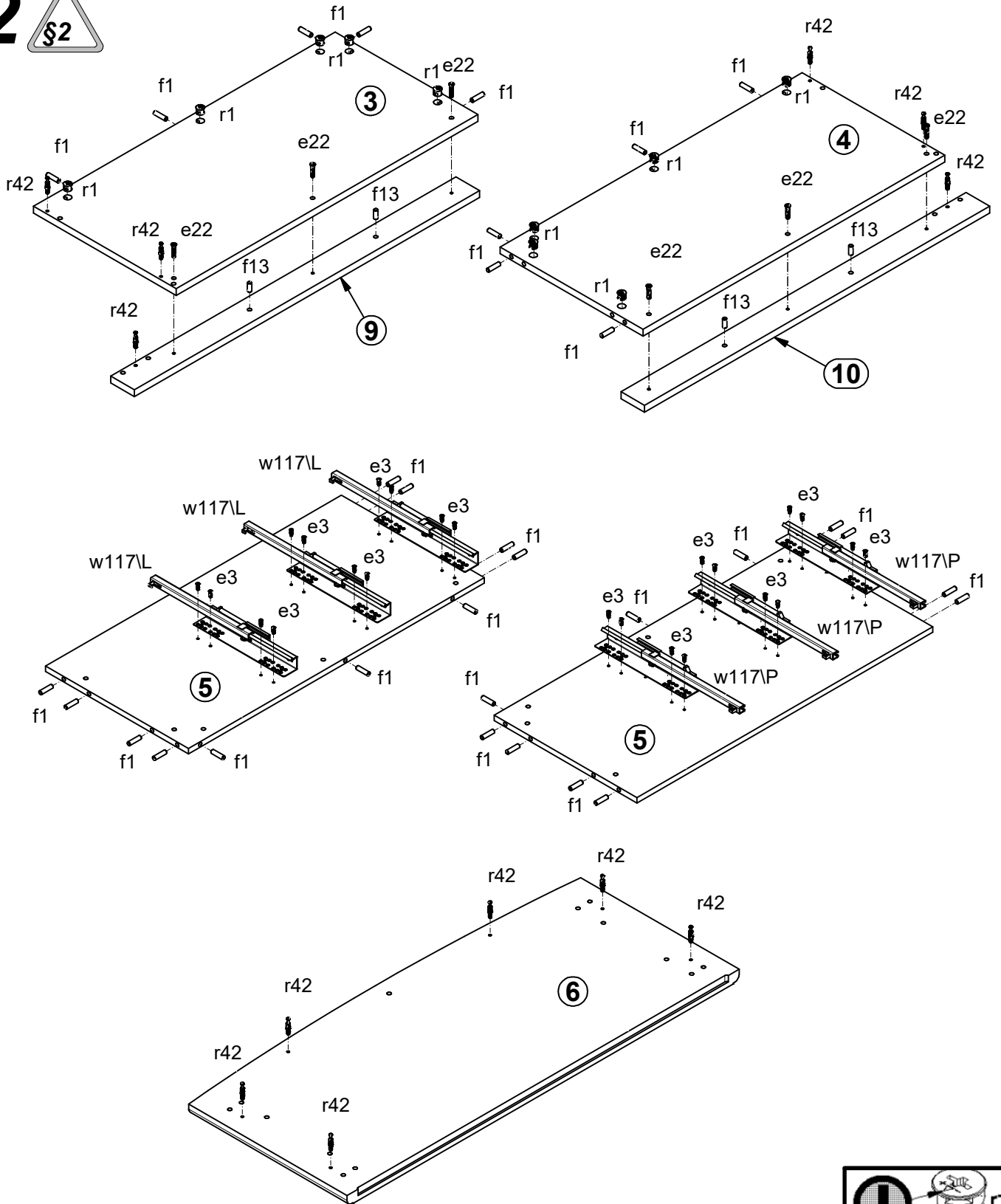


3x M4 c415	6x Ø7x28 mm e22	24x Ø6x13 mm e3	45x Ø8x30 mm f1	4x Ø8x20 mm f13	12x Ø6.5x40 mm f25	3x M4x20 mm j1	6x k1	25x 1.4x20 mm l1
3x Ø3.5x16 mm p25	3x Ø3.5x10 mm p35	19x Ø3.5x16 mm p38	6x Ø2.9x16 mm p55	6x Ø3.5x12 mm p140	18x Ø15x12 mm #16 r1	12x Ø12x10.5 mm #12 r15	30x 20/11 r42	3x 350 mm t35
3x 350 mm W117\L	3x 350 mm W117\P	2x Ø8 s6	1x 4 mm z1	1x n26				

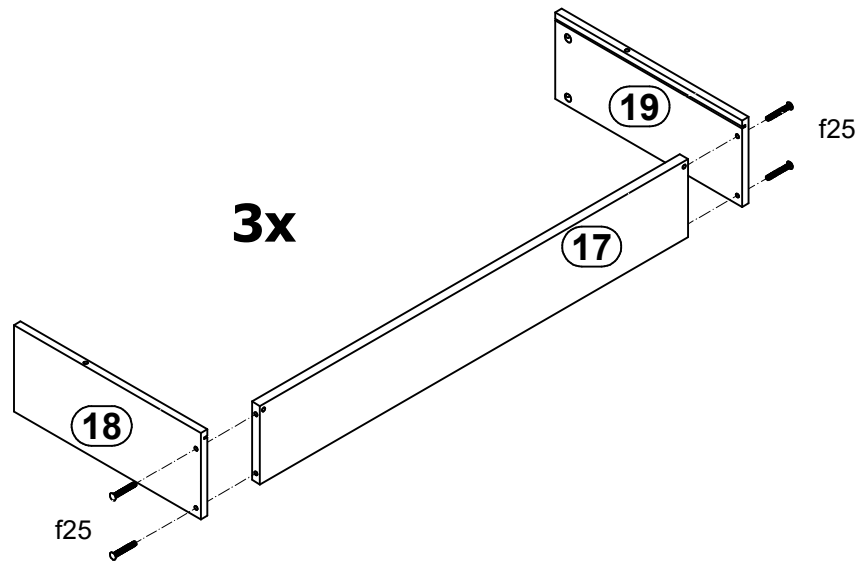
1 



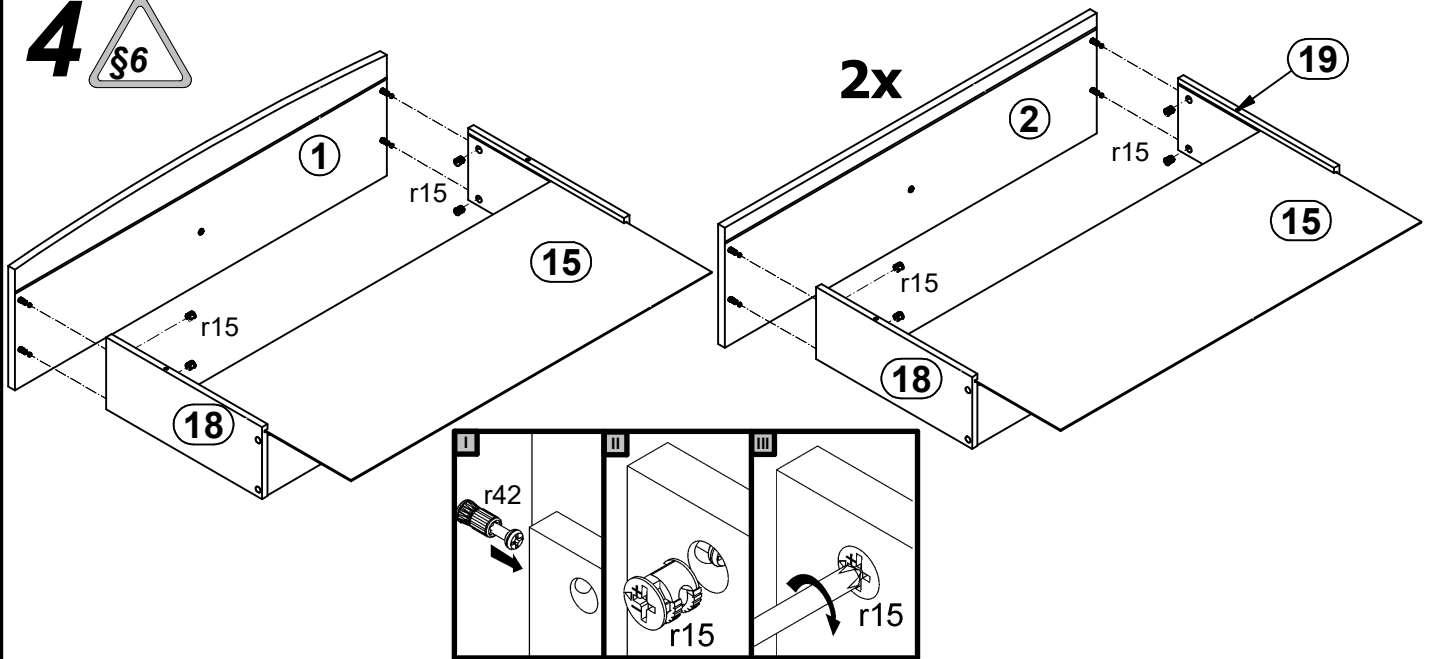
2



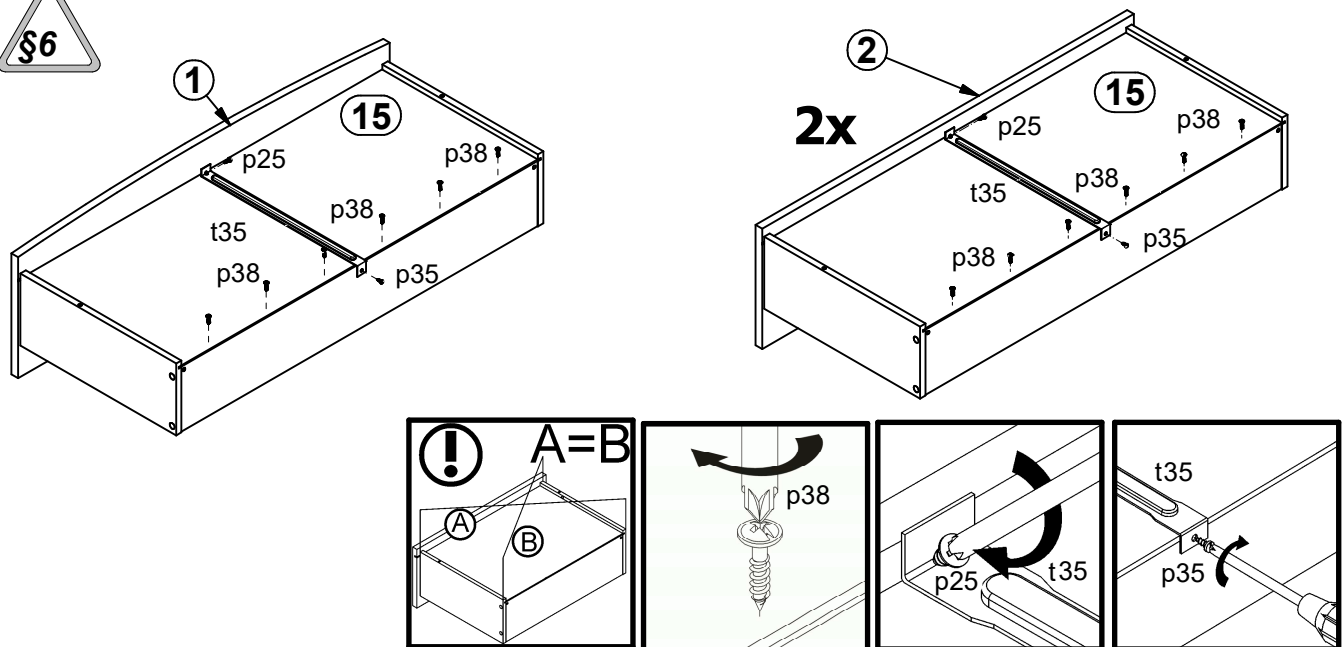
3 §6



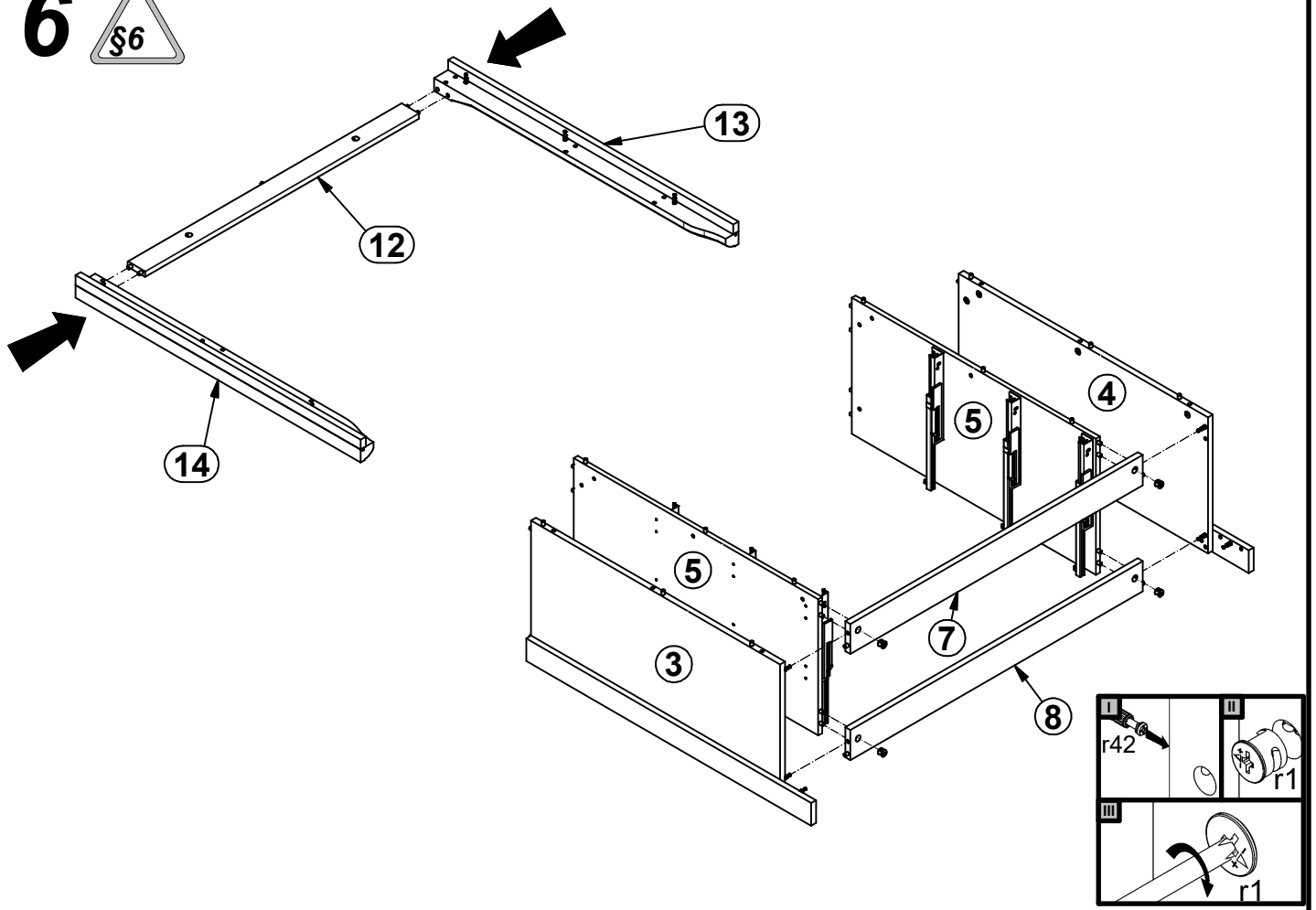
4 §6



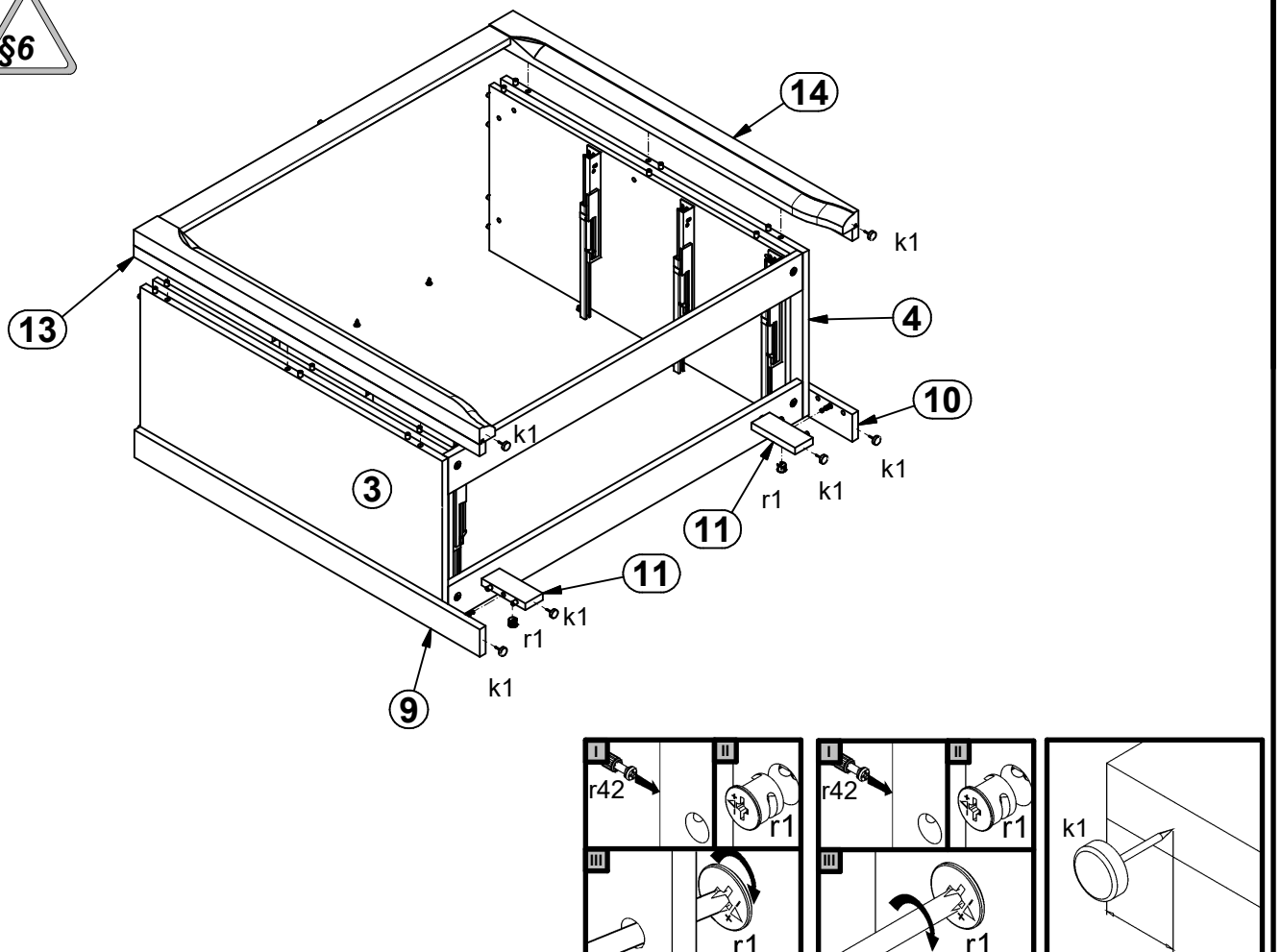
5 §6



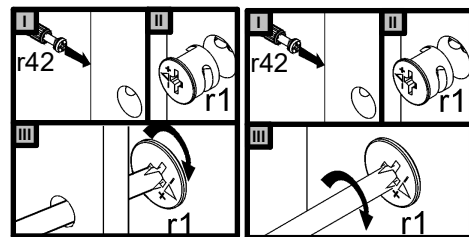
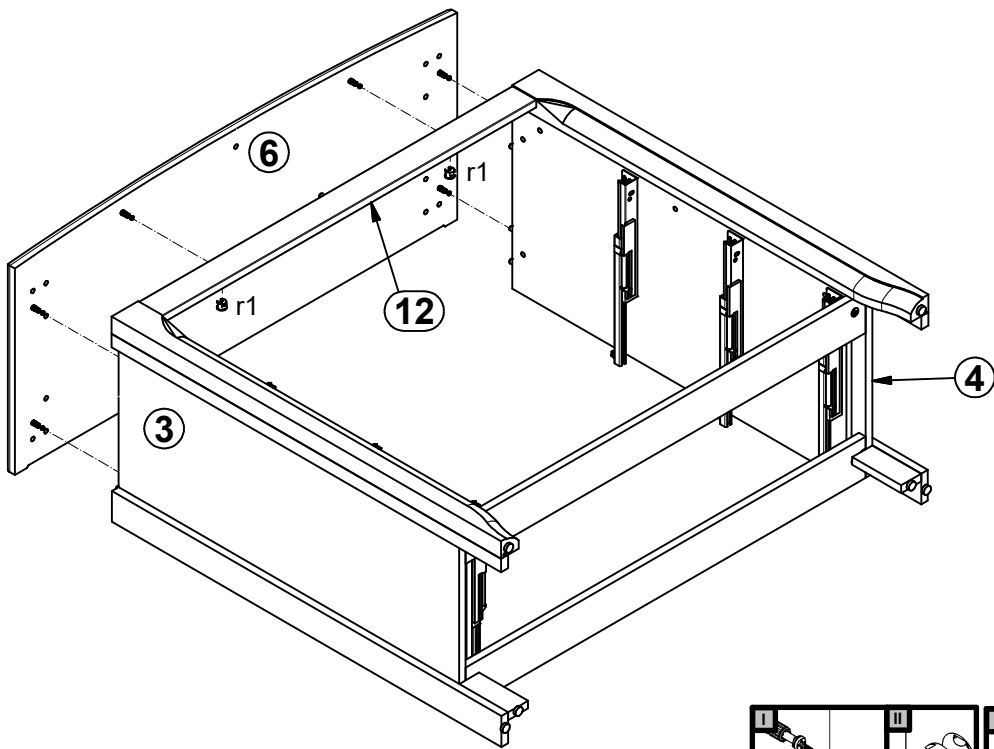
6



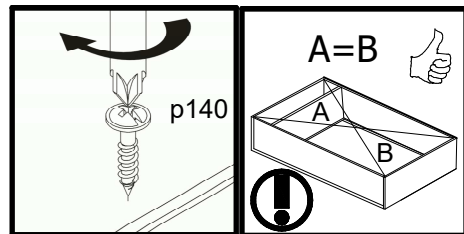
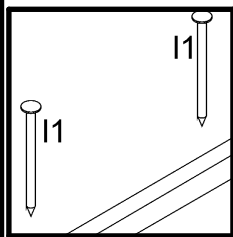
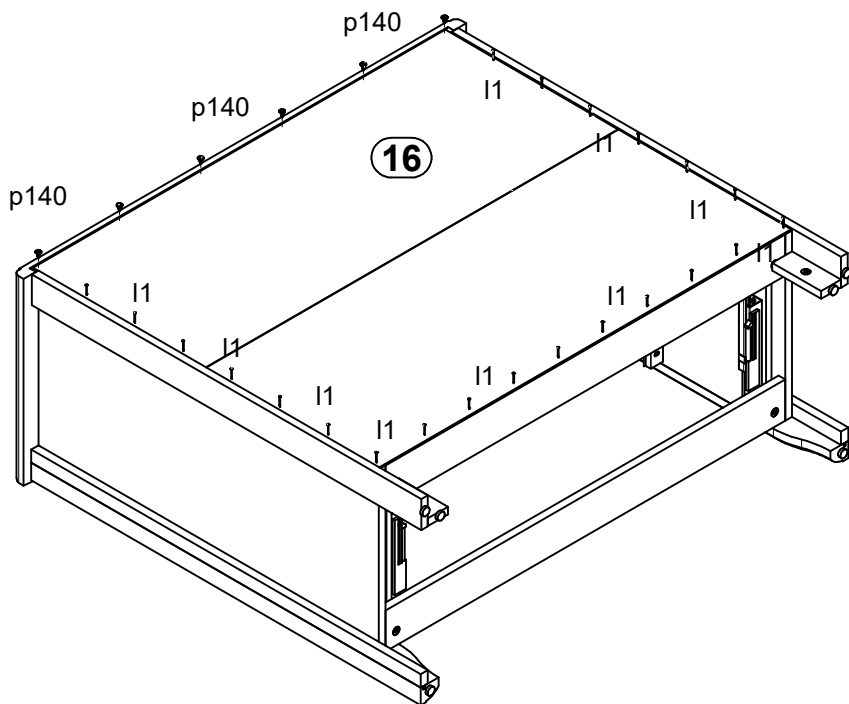
7



8 §6



9 §6



10

