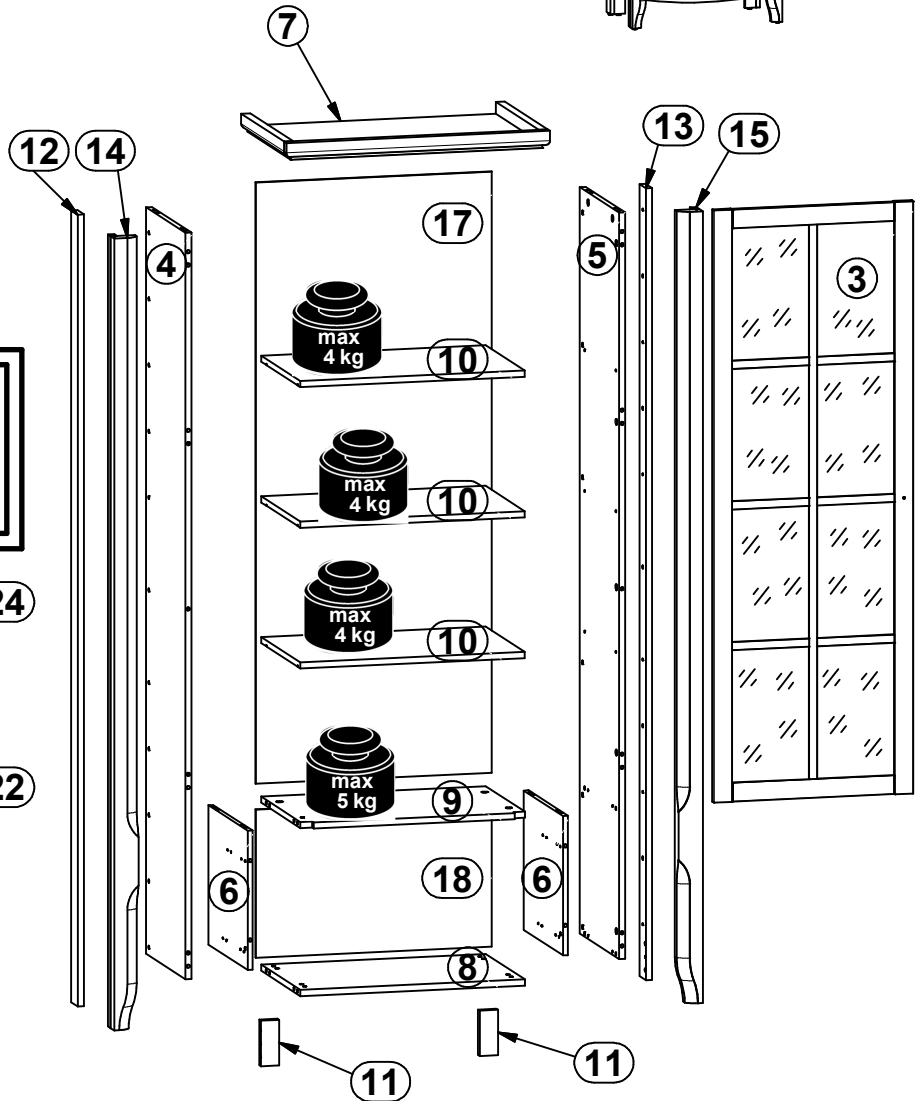
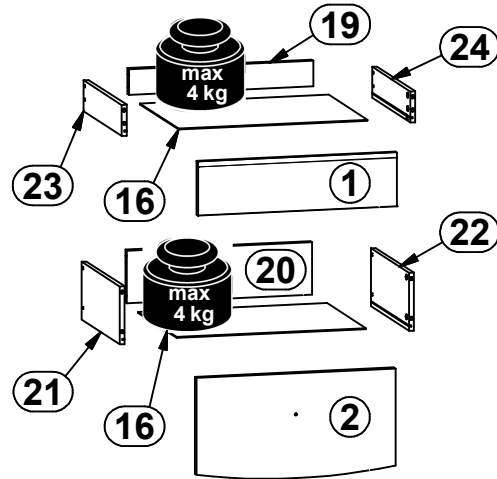
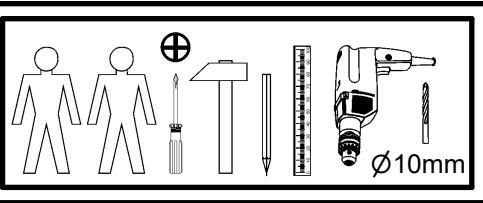
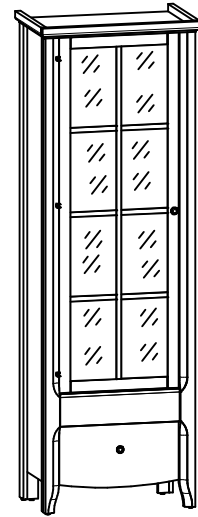
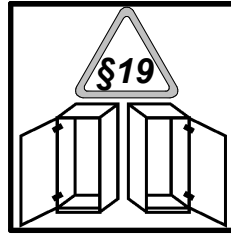


**A**

# KALIO

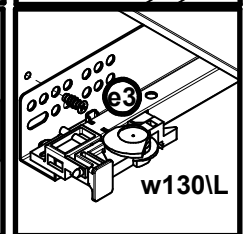
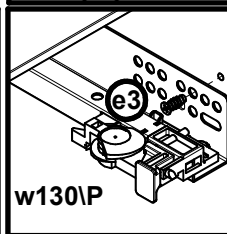
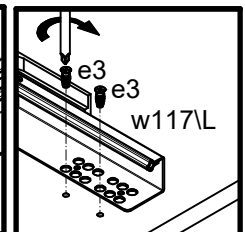
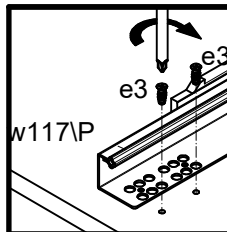
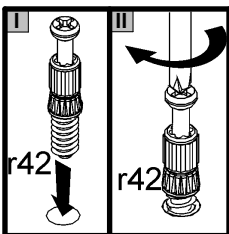
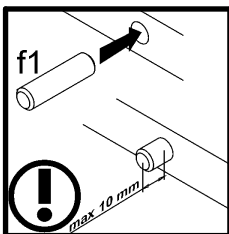
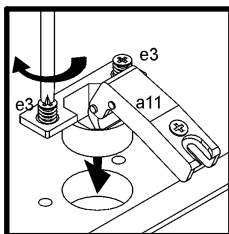
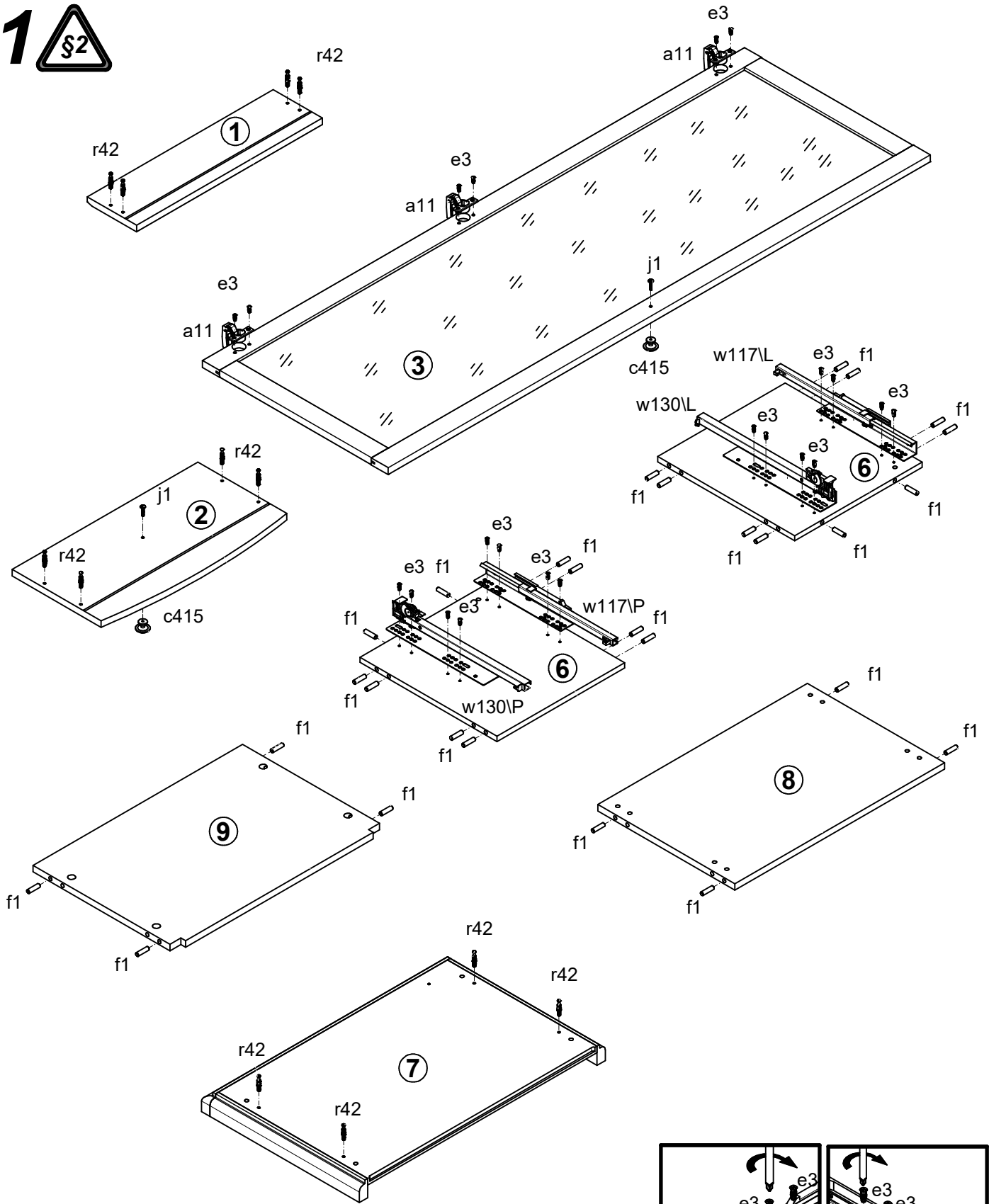
**S423-REG1W2S**

A	B	C	D
1	S423-0024	491	130
2	S423-0025	491	254
3	S423-0026	1432	491
4	S423-1033	1805	362
5	S423-1034	1805	362
6	S423-1035	362	337
7	S423-2010	650	417
8	S423-3017	554	362
9	S423-3018	554	374
10	S423-3019	553	360
11	S423-5003	110	45
12	S423-5019	1915	60
13	S423-5020	1915	60
14	S423-5064	1915	60
15	S423-5065	1915	60
16	S423-9012	466	357
17	S423-9013	1454	582
18	S423-9014	582	358
19	ZQ6-5016	455	62
20	ZQ6-5017	457	127
21	ZQ6-511	350	140
22	ZQ6-512	350	140
23	ZQ7-507	350	75
24	ZQ7-508	350	75

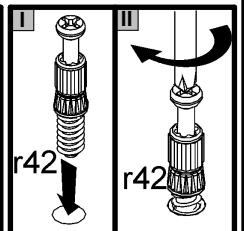
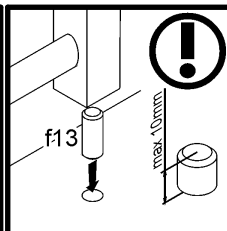
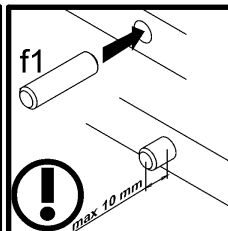
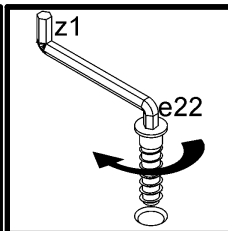
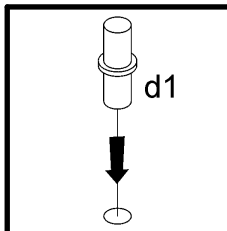
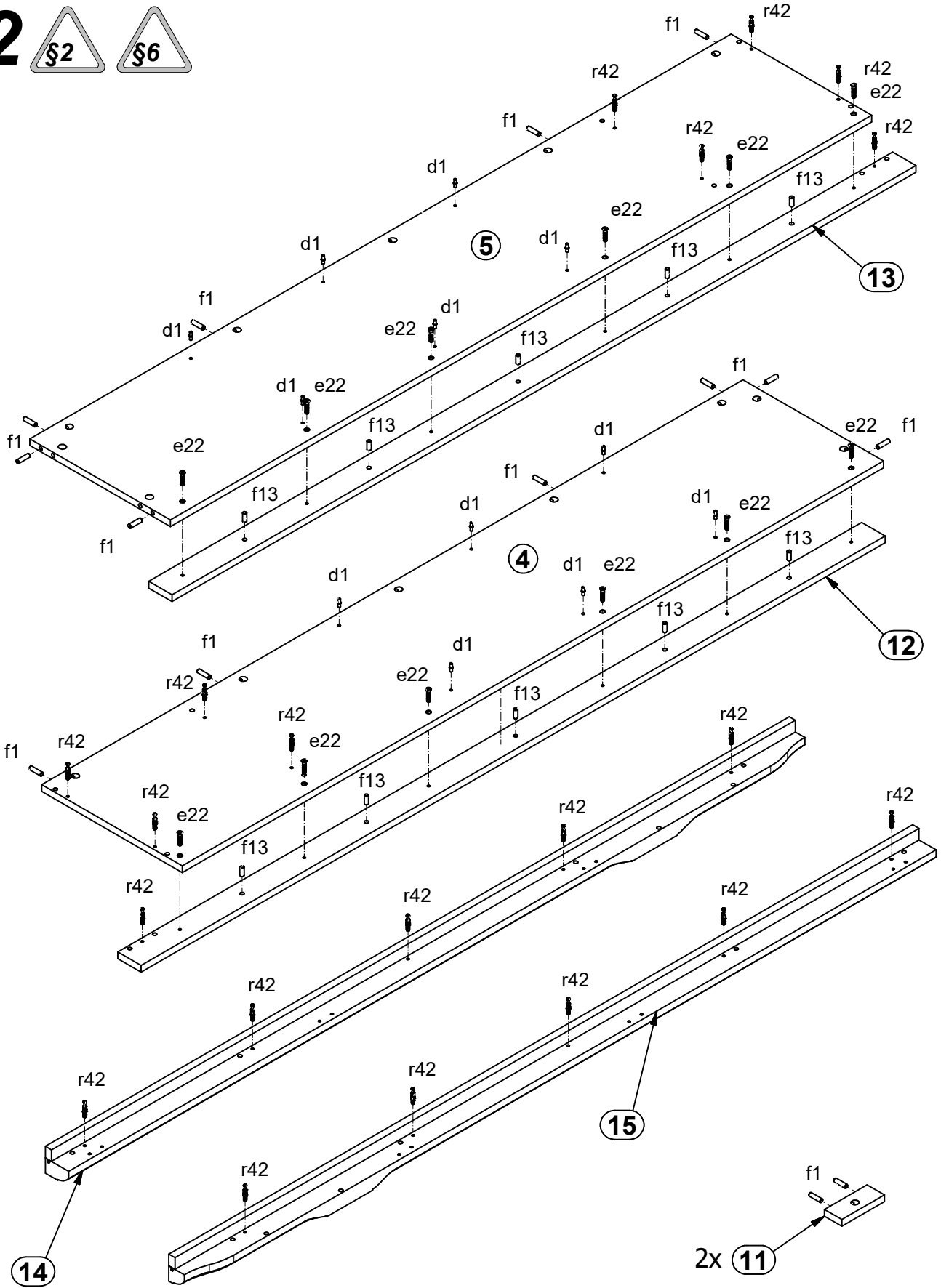


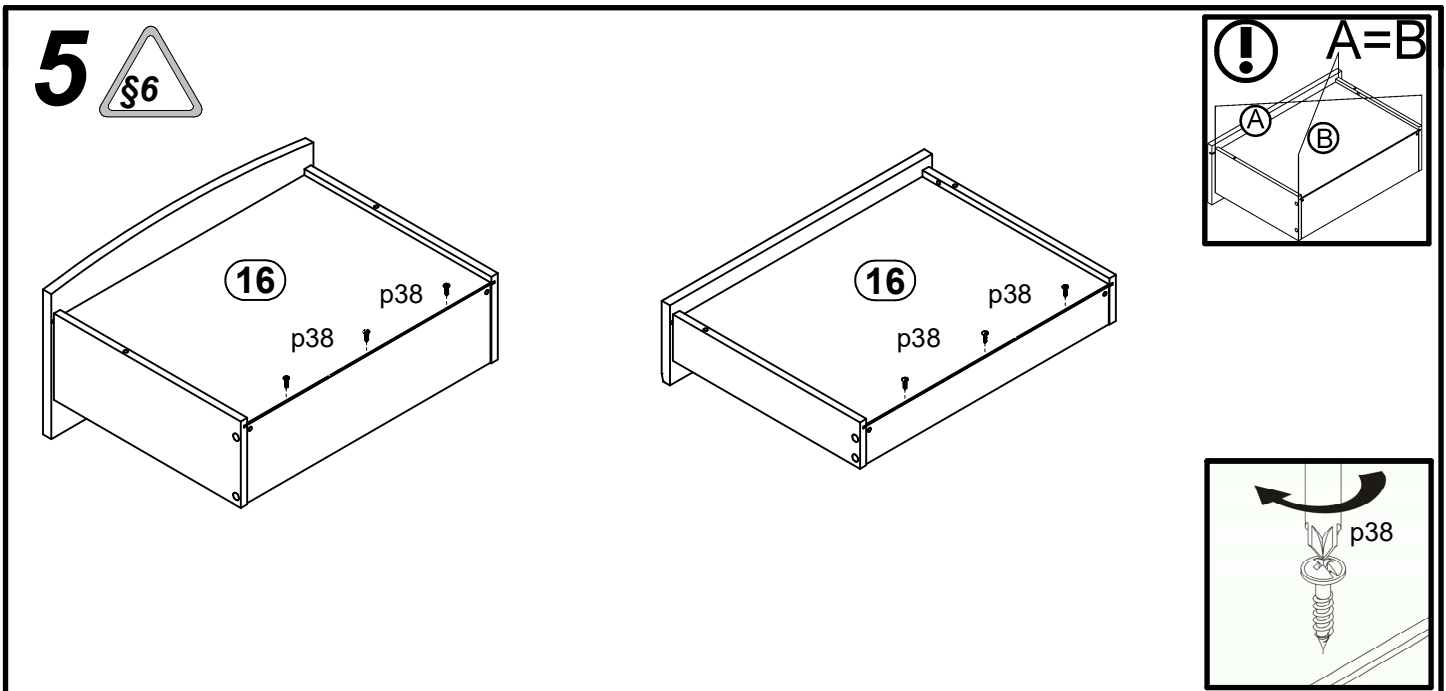
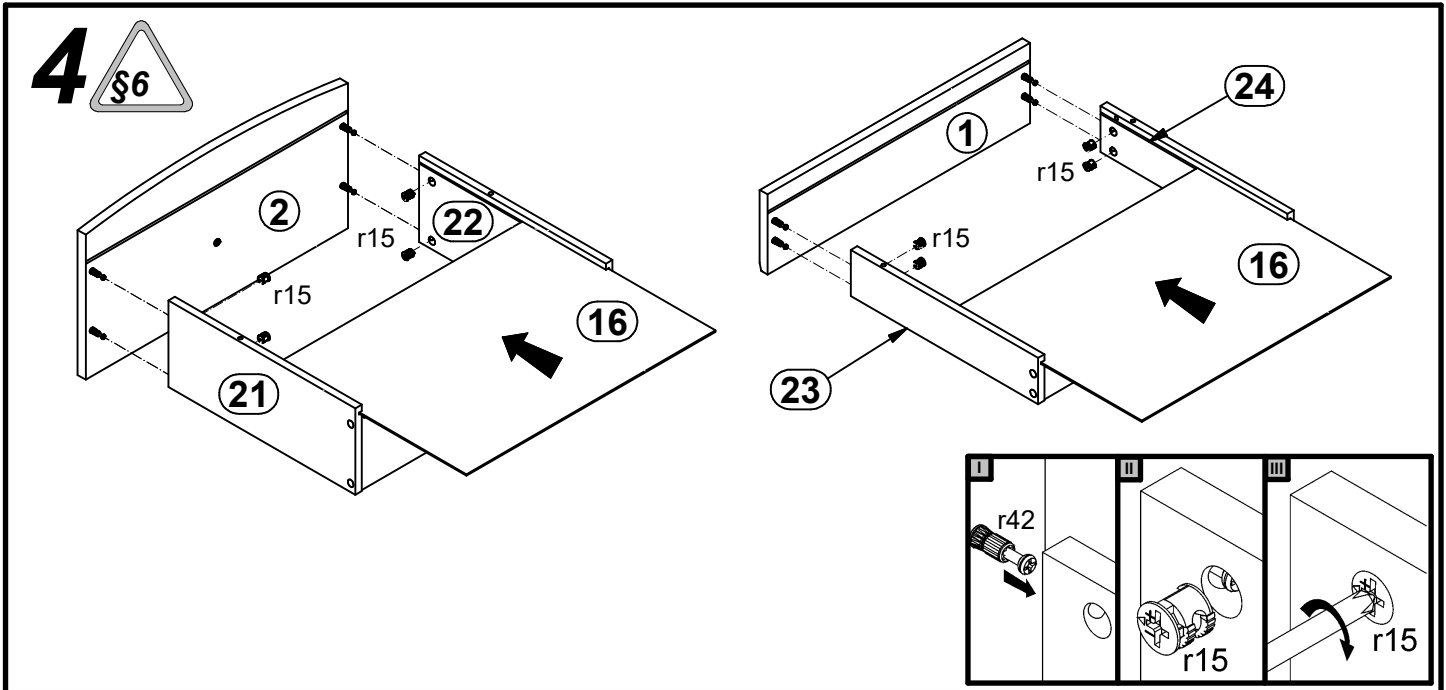
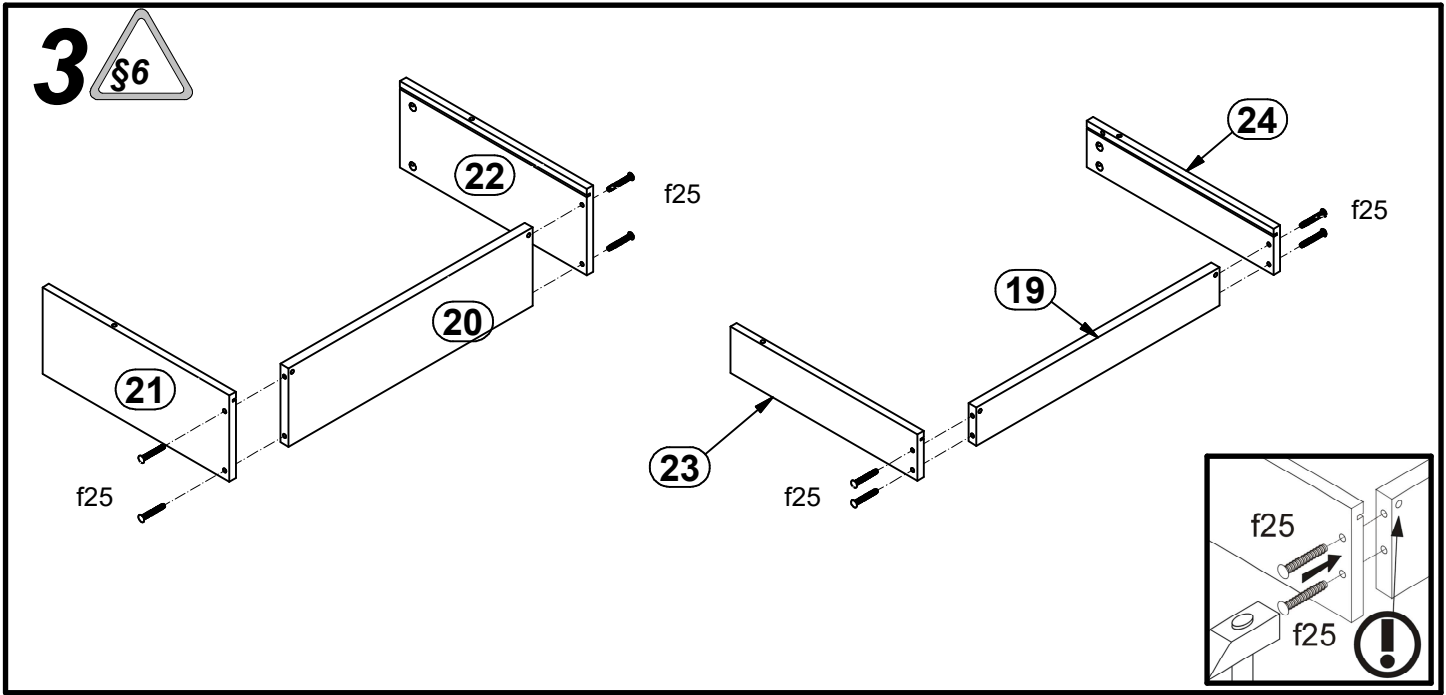
3x  a11	3x  b4	2x  c415	12x  d1	1x  d5	6x  e2	12x  e22	22x  e3	44x  f1
10x  f13	8x  f25	2x  j1	6x  k1	50x  l1	3x  n108	8x  p38	5x  p55	24x  r1
8x  r15	32x  r42	1x  w117L	1x  w117P	1x  w130L	1x  w130P	8x  s59	16x  s68	1x  z1
1x  n14L2	1x  p17	1x  f35						

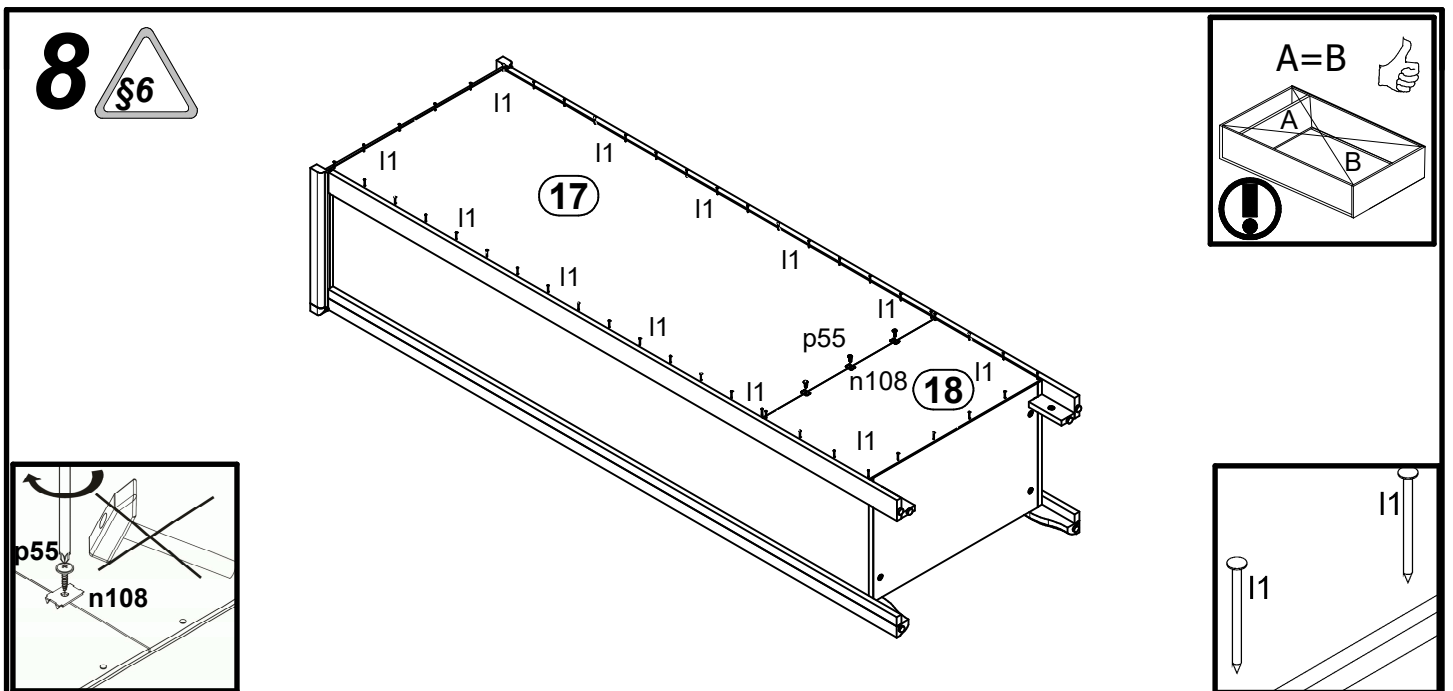
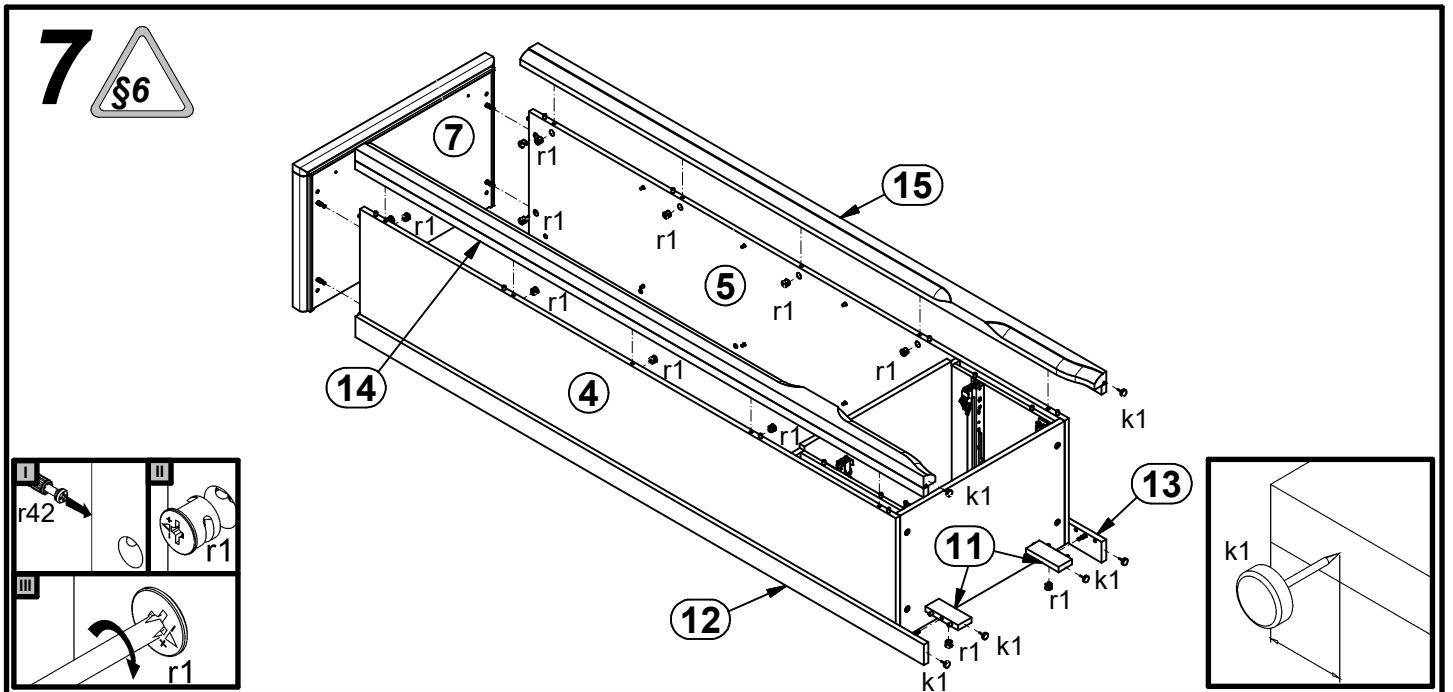
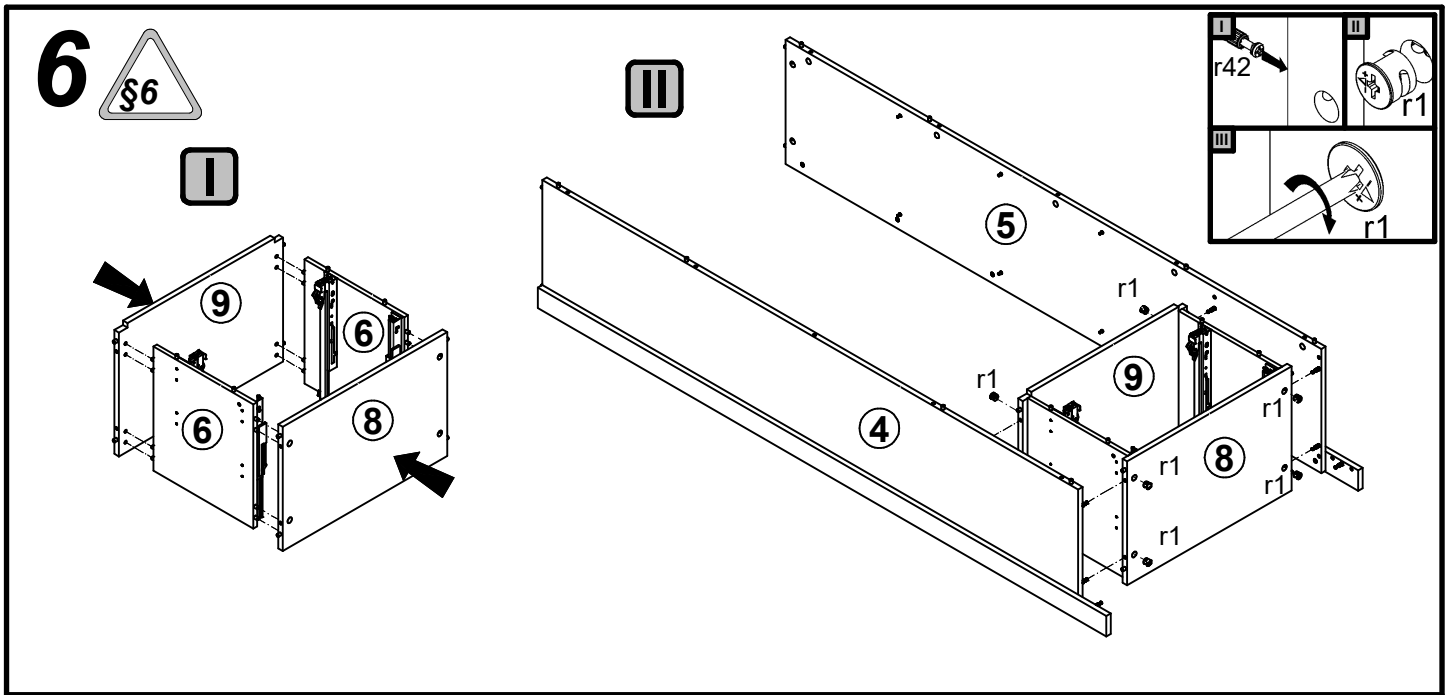
1 §2



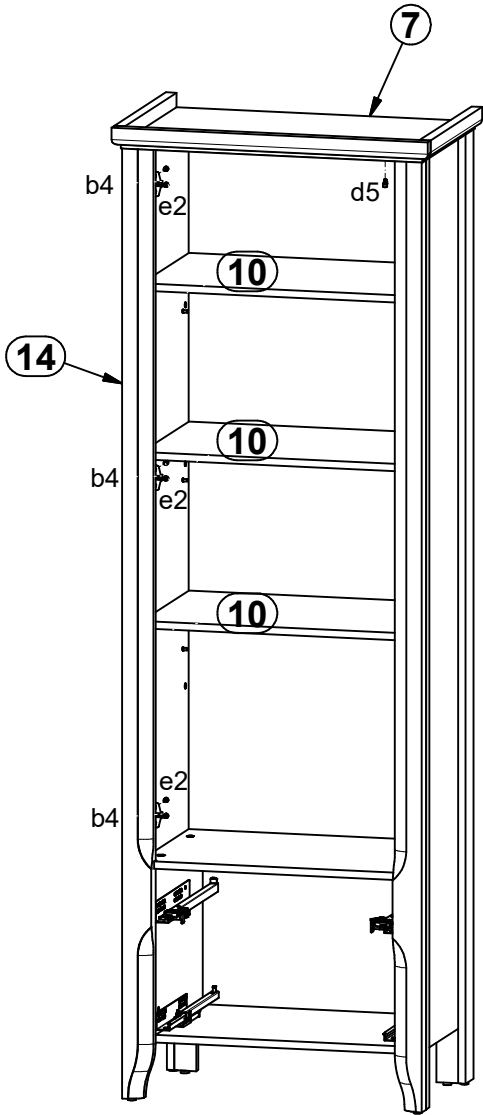
# 2



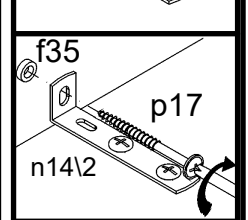
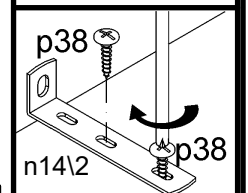
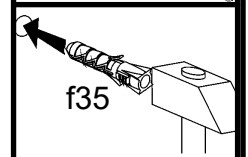
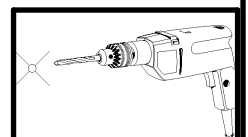
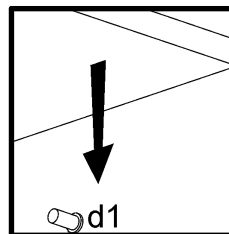
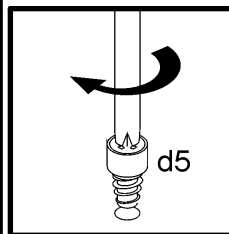
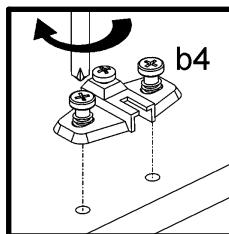
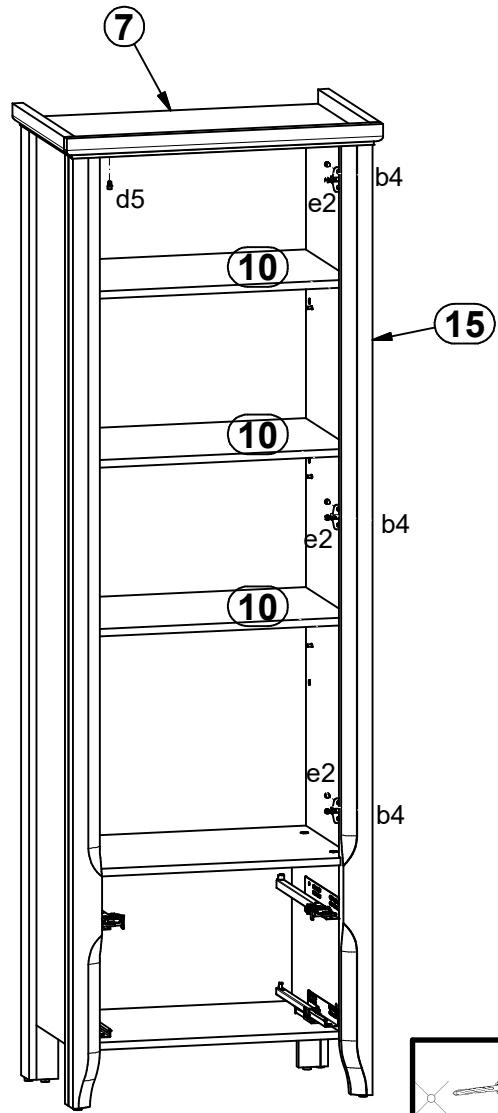




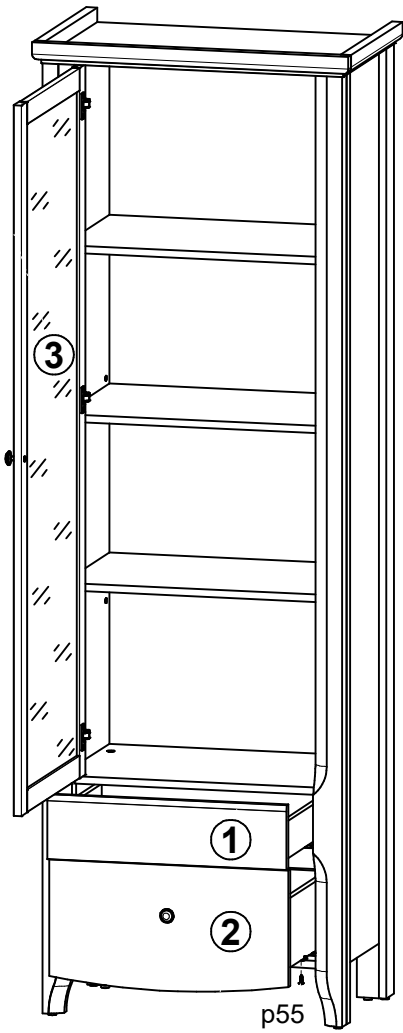
# 9A



# 9B



# 10A



# 10B

