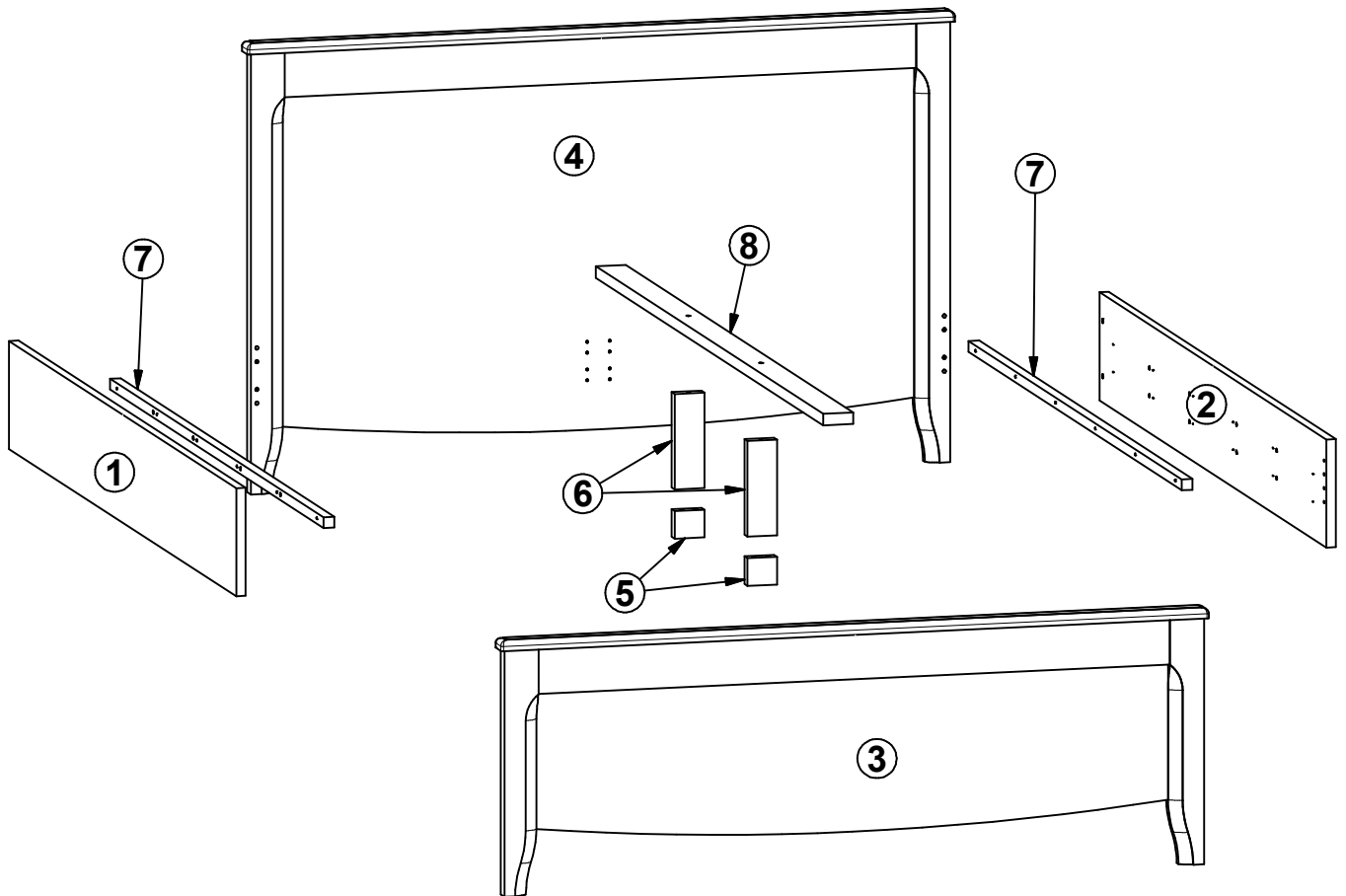
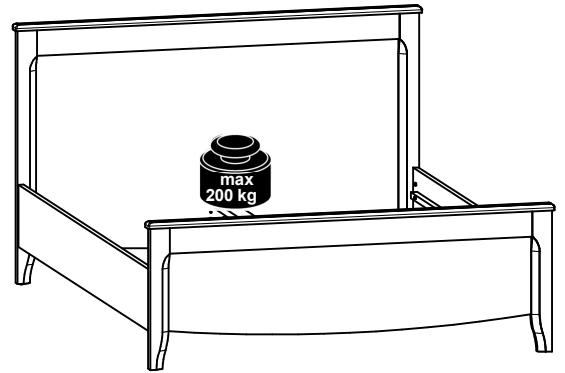
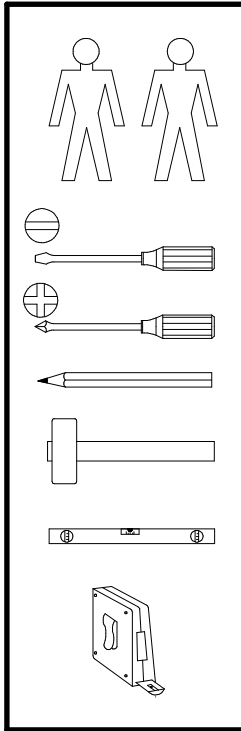
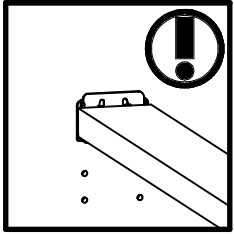
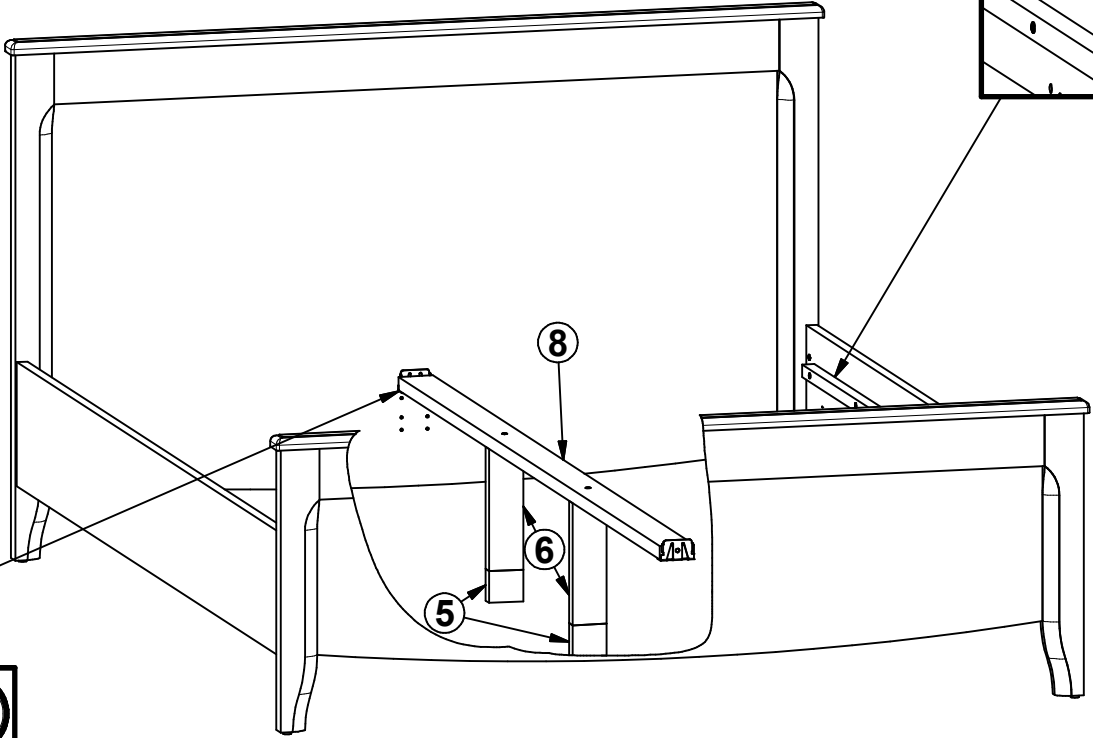
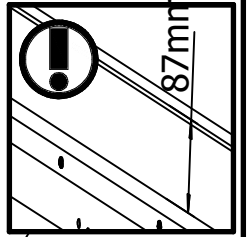


A	B	C	D
1	S423-4001	2000	250
2	S423-4002	2000	250
3	S423-4003	1670	595
4	S423-4004	1670	1045
5	ZZ1-431	64	70
6	ZZ1-460	221	70
7	ZZ1-747	1880	25
8	ZZ1-774	2002	70

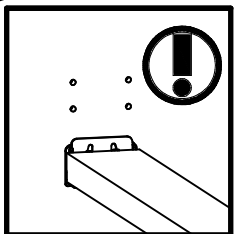
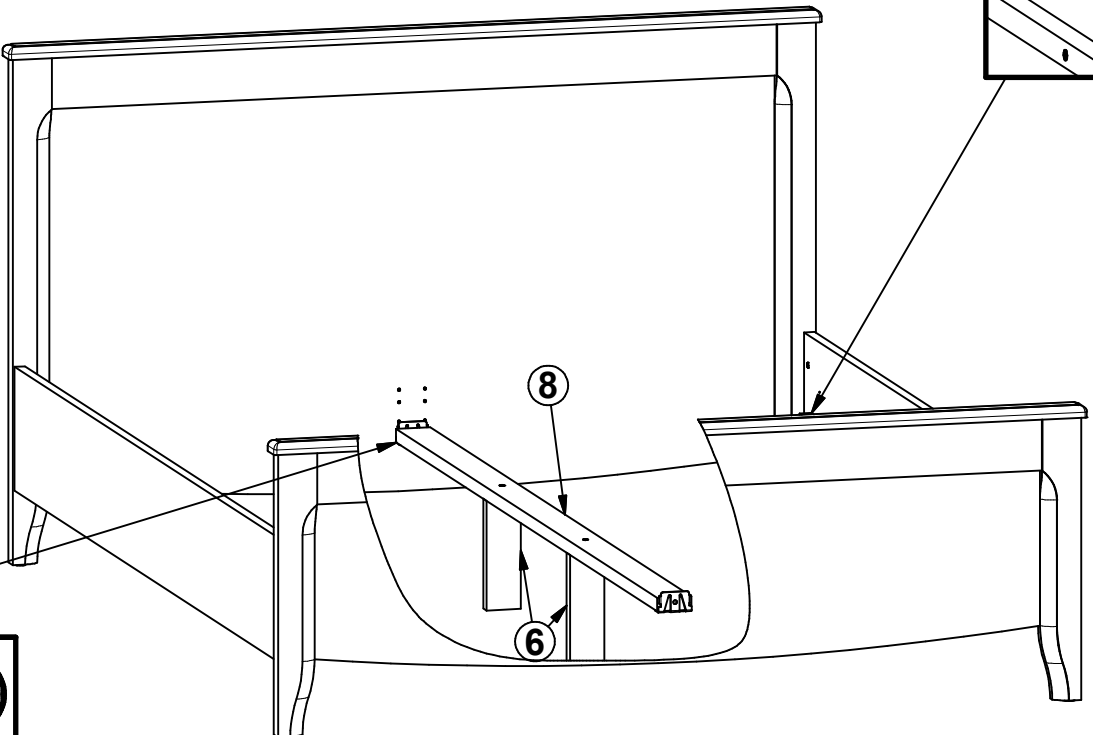
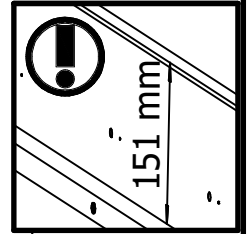


16x Ø6.3x13 mm e2	8x Ø6x13 mm e3	2x Ø7x80 mm e8	12x Ø8x30 mm f1	4x Ø8x50 mm f6	4x M6x84 mm j117	4x Ø20x3mm k103	2x n3411	2x n3412
2x 130x34x34/2 mm n63	6x Ø4x35 mm p6	12x Ø4x40 mm p10	6x Ø3.5x25 mm p16	4x Ø10x16 mm r43	1x 4 mm z1			

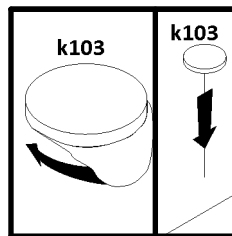
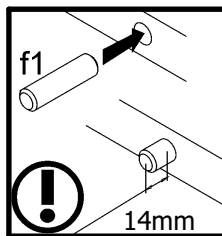
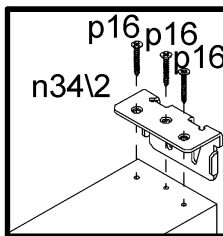
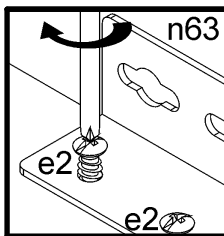
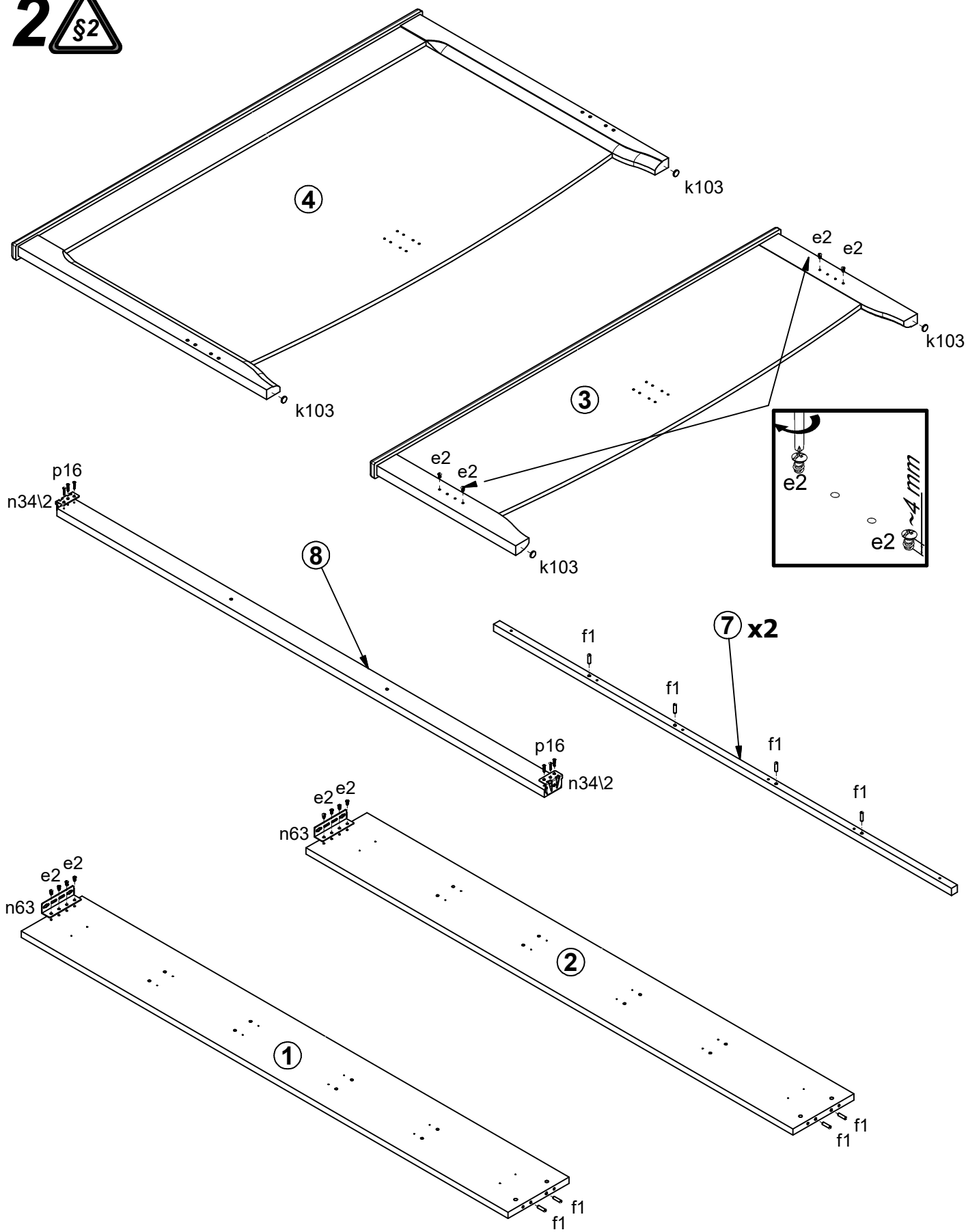
# 1A



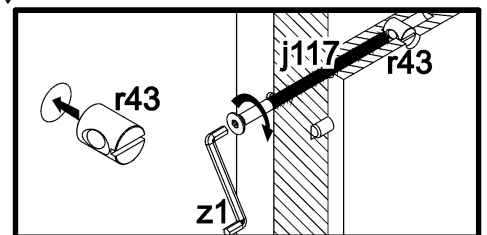
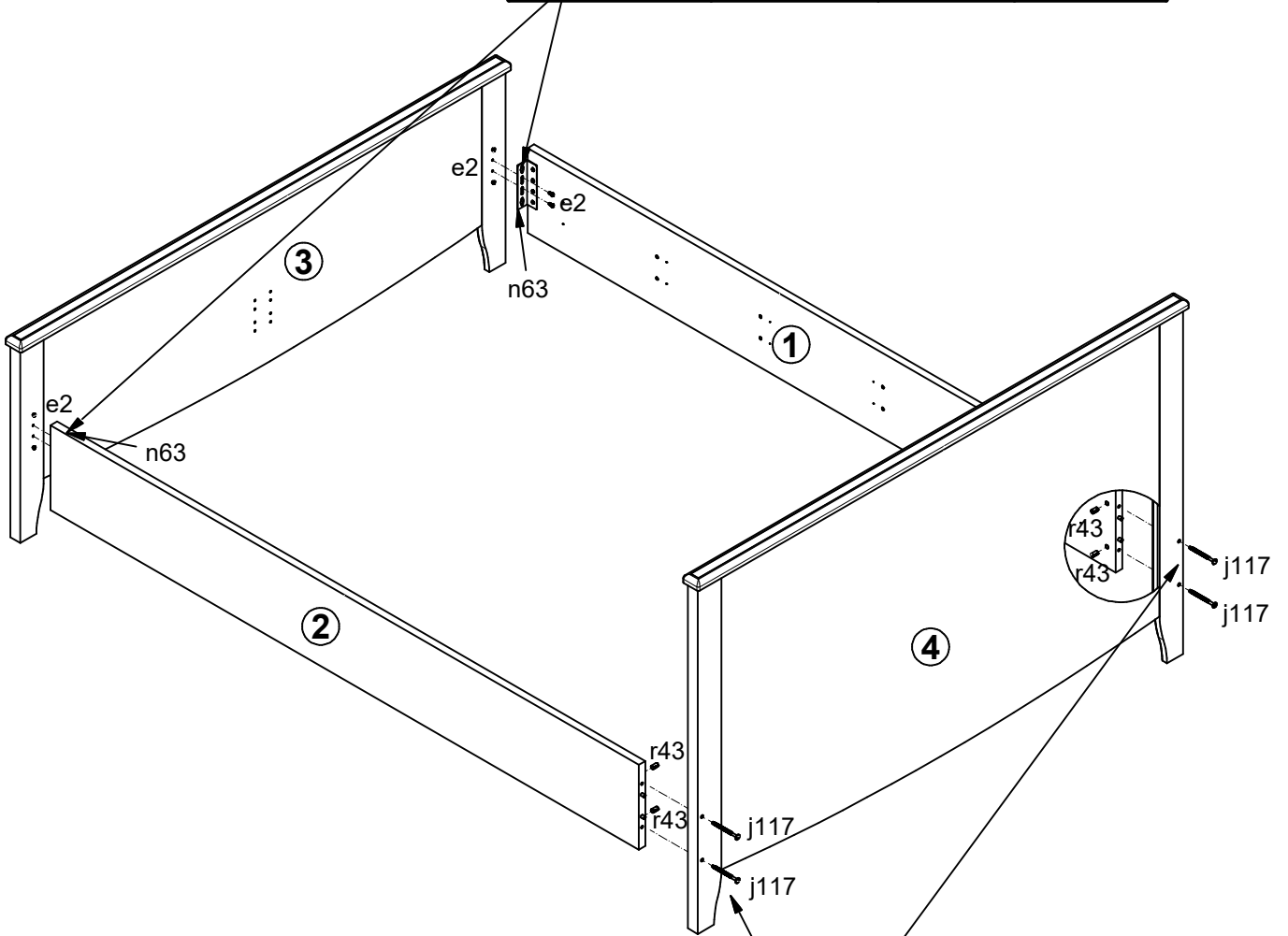
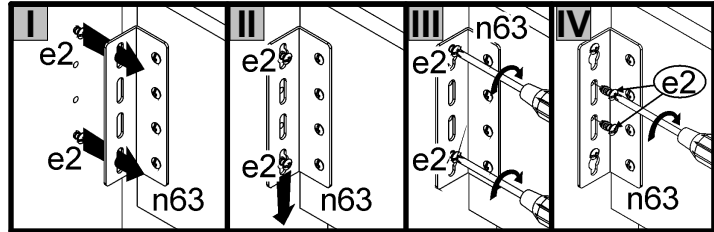
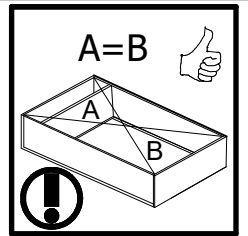
# 1B



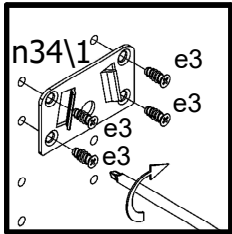
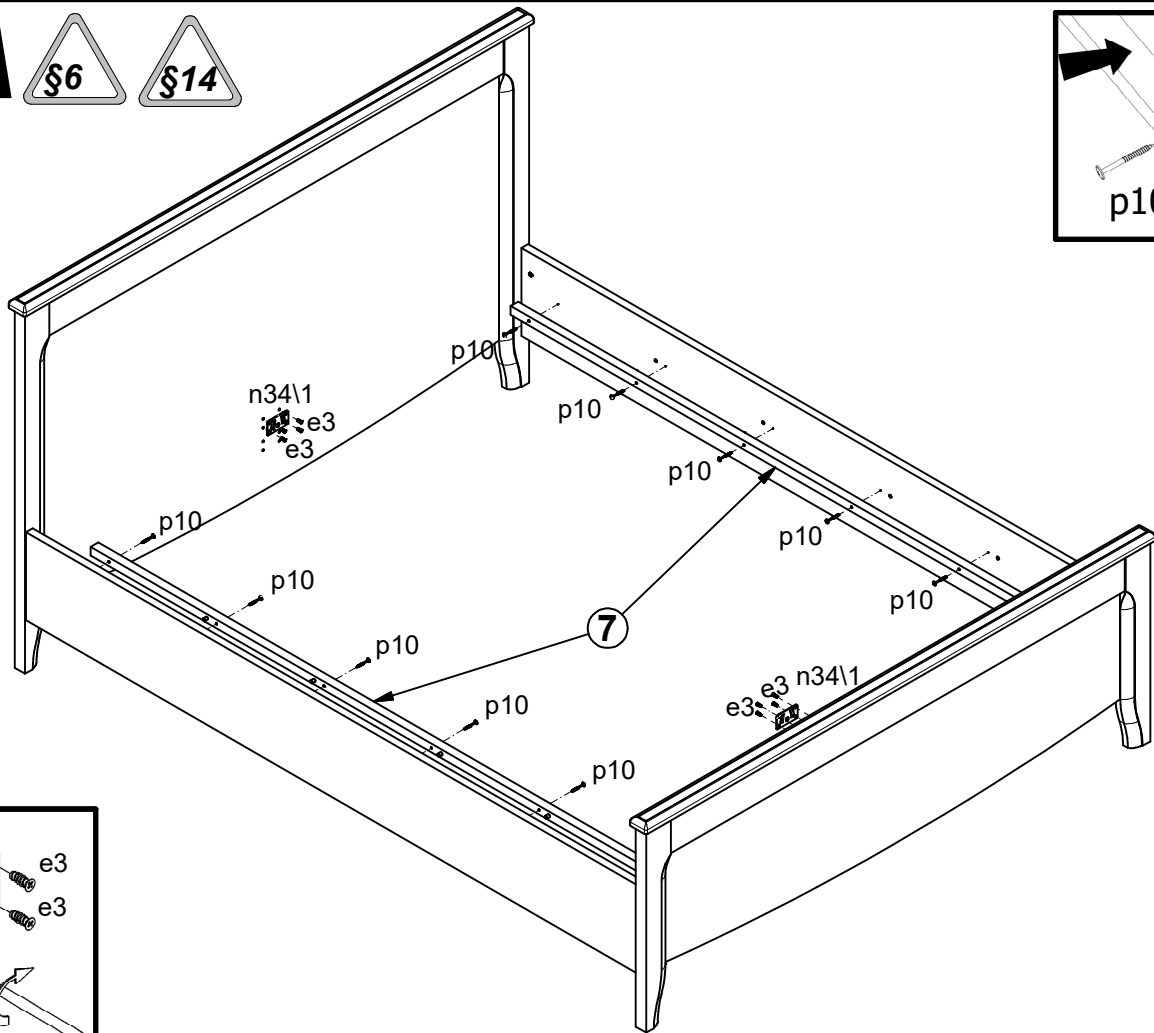
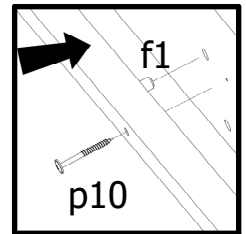
# 2



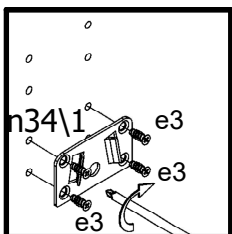
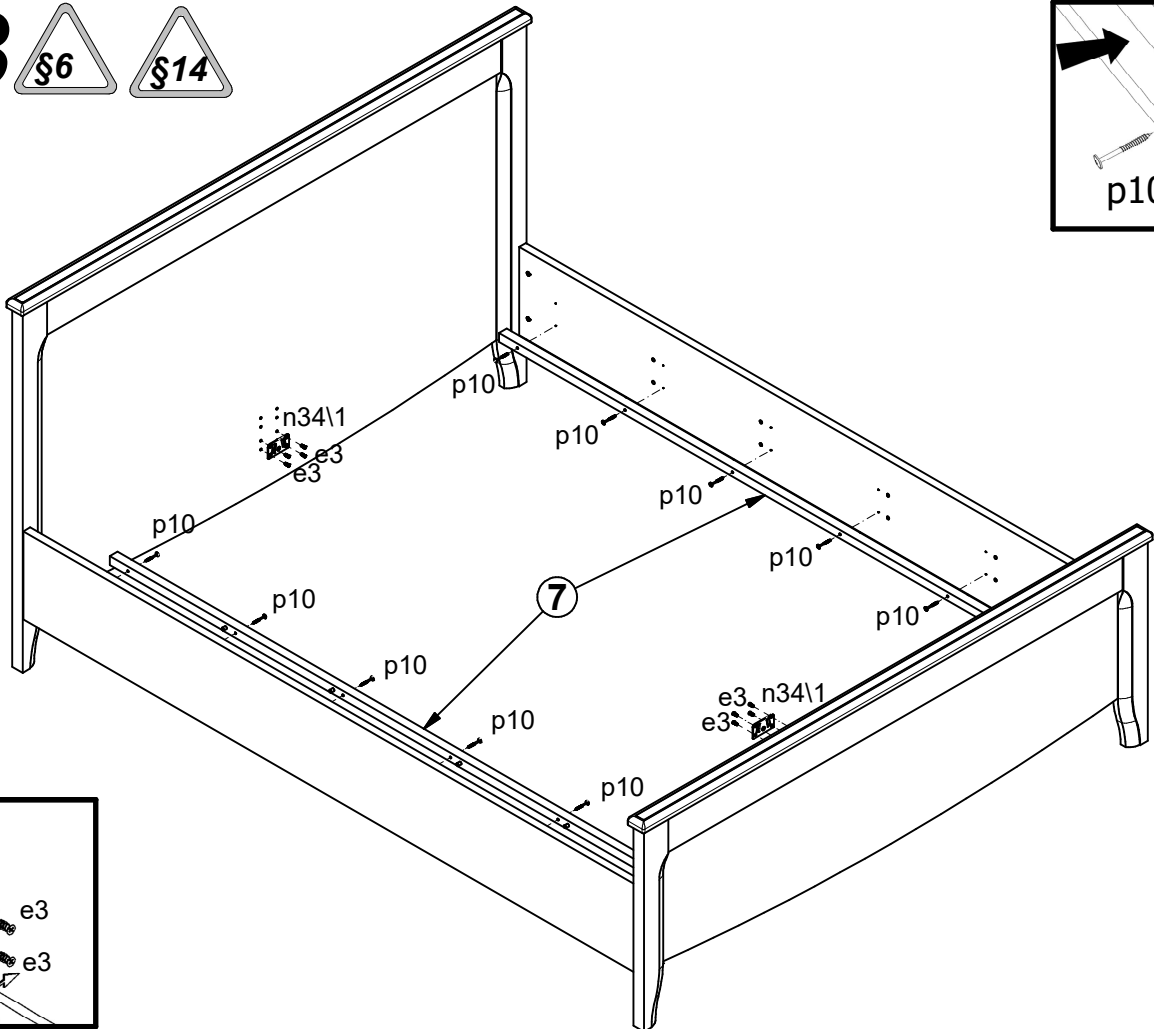
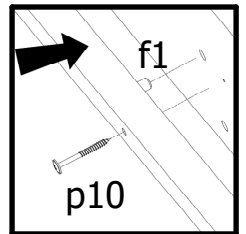
**3** §6



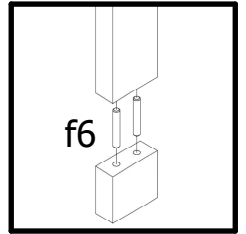
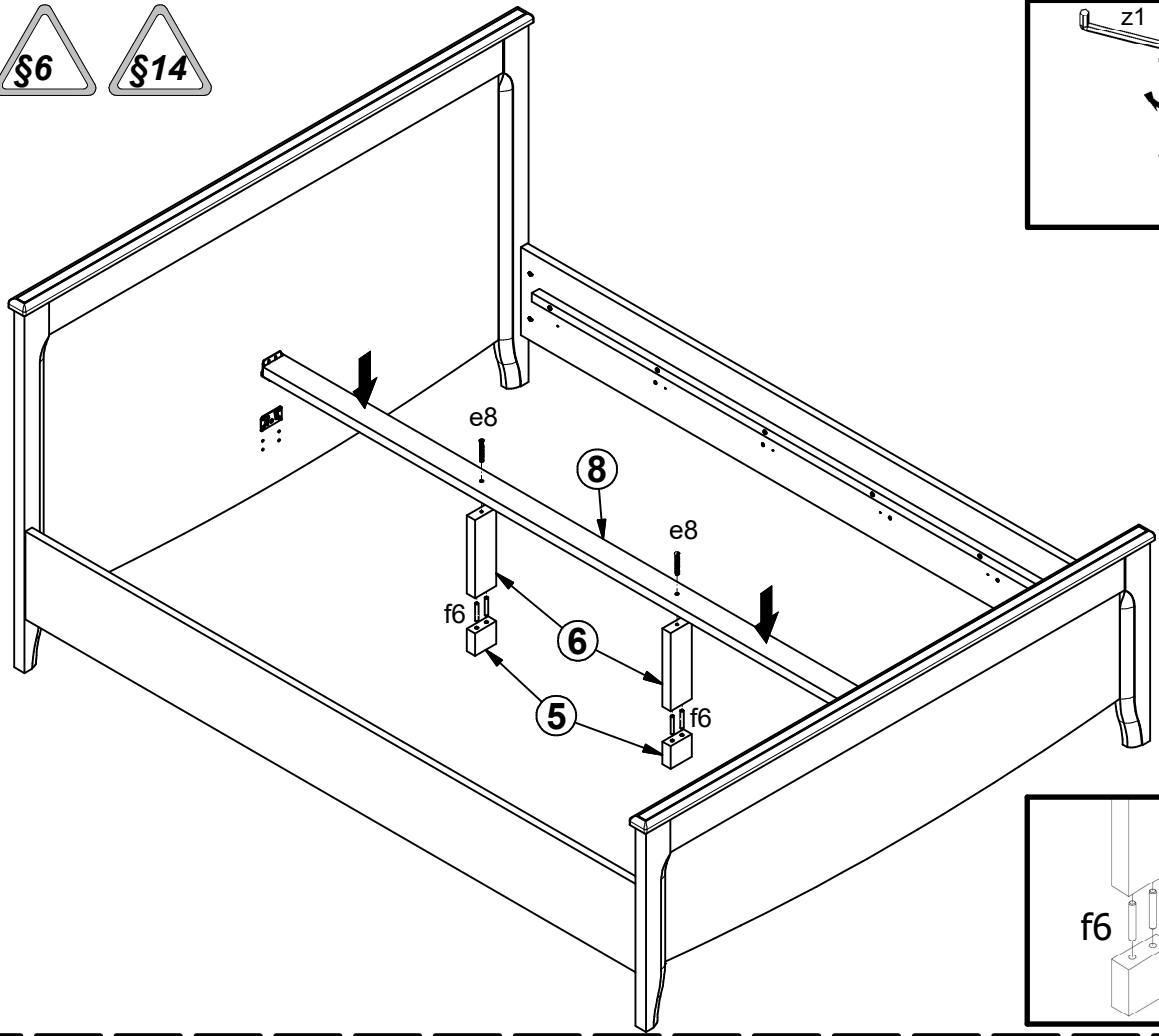
# 4A



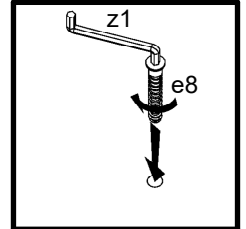
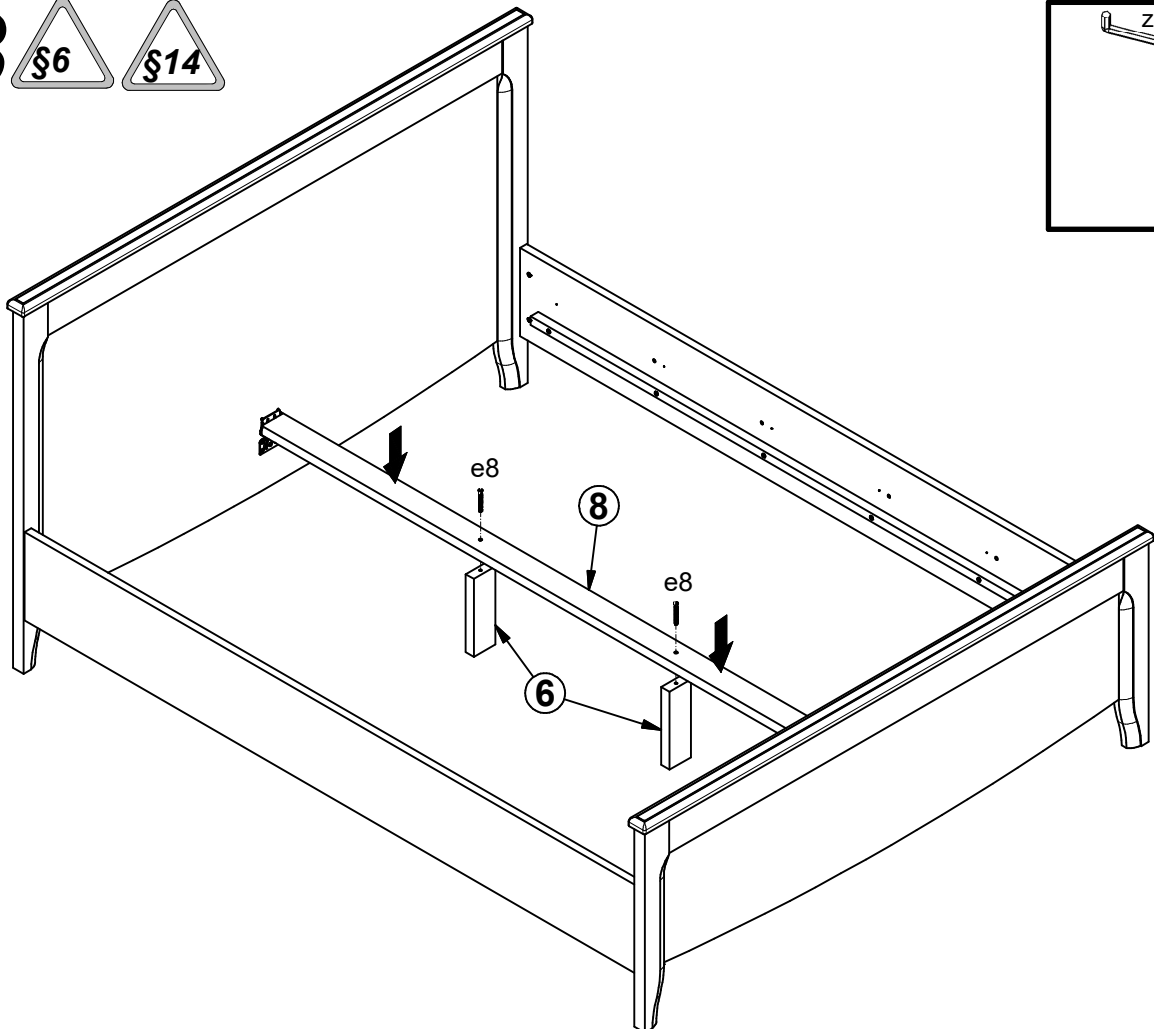
# 4B



# 5A



# 5B



**6** §6

