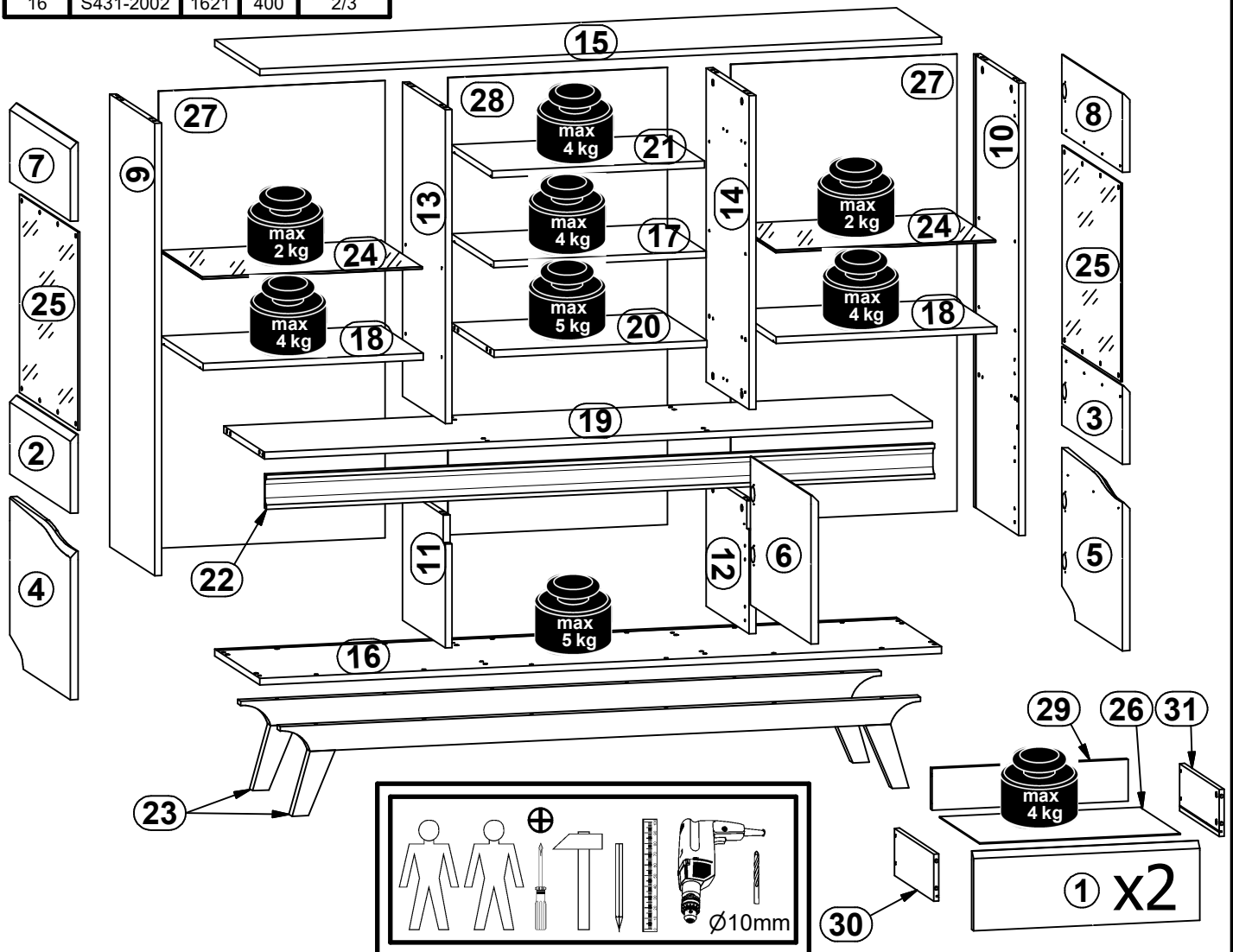
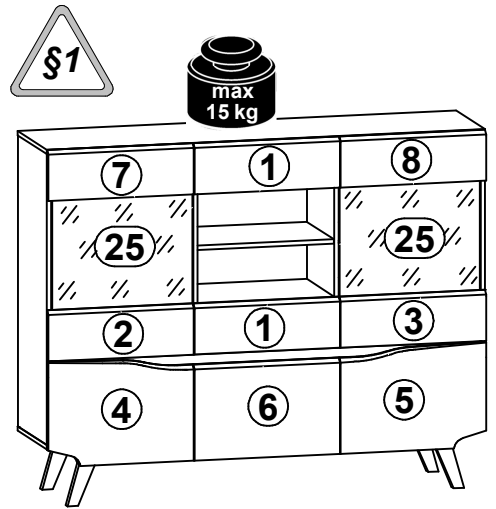


A

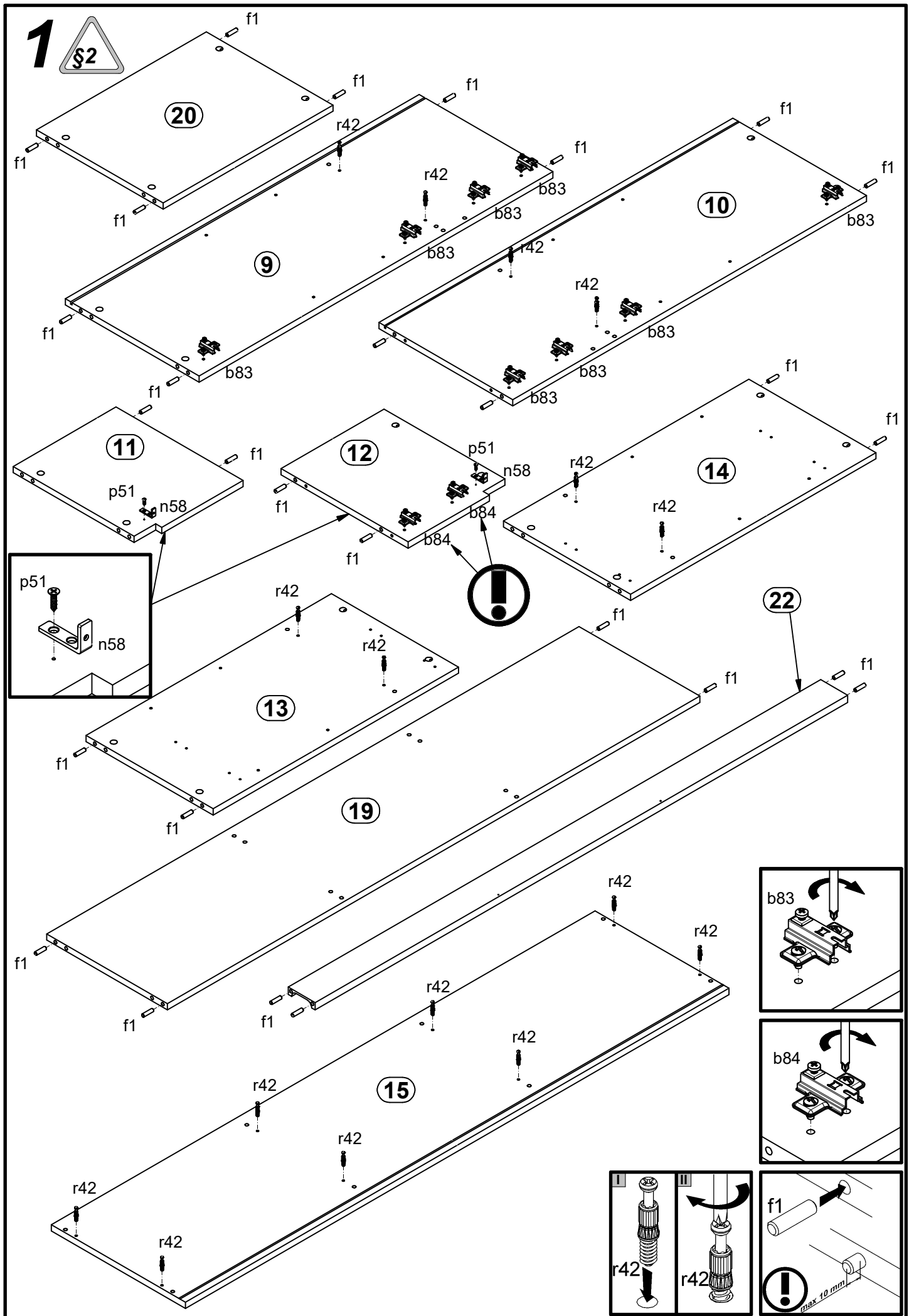
MADISON

S431-REG3D2W2S

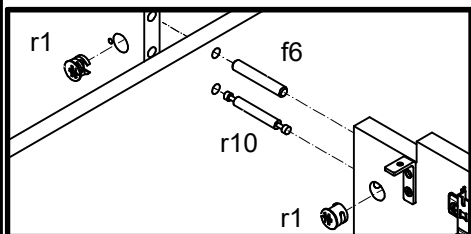
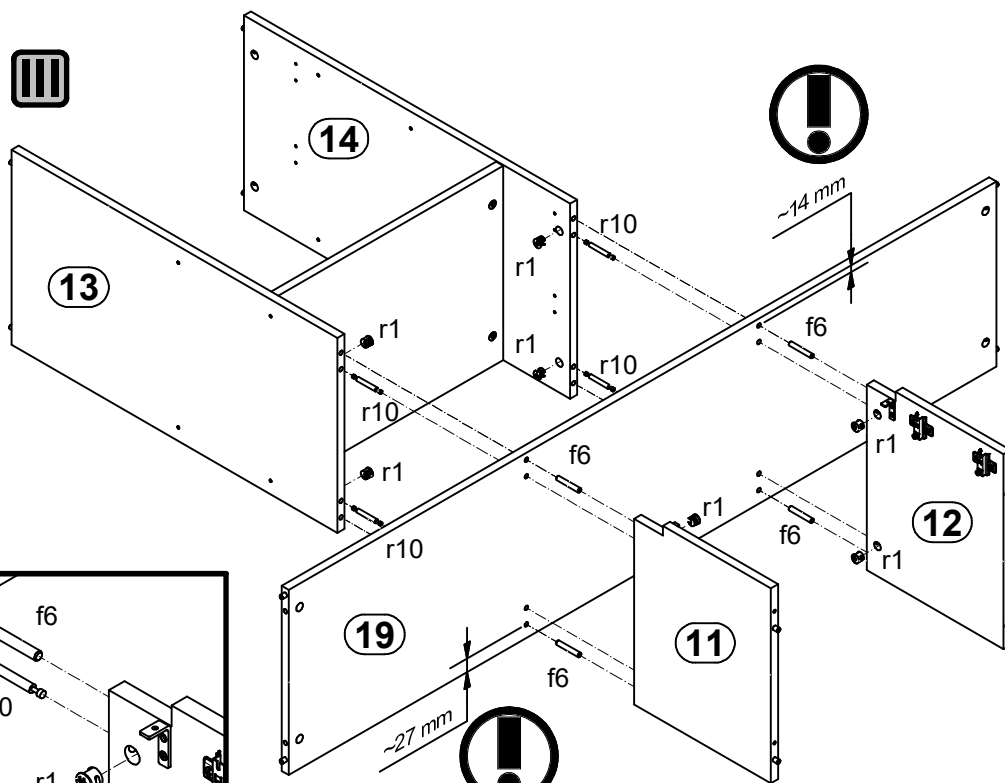
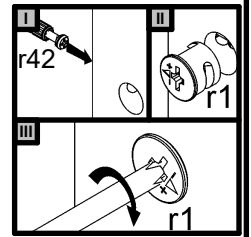
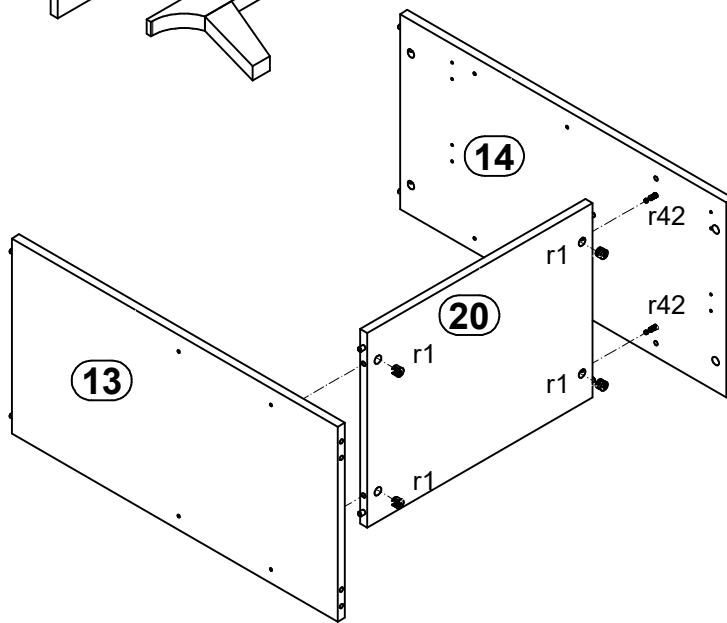
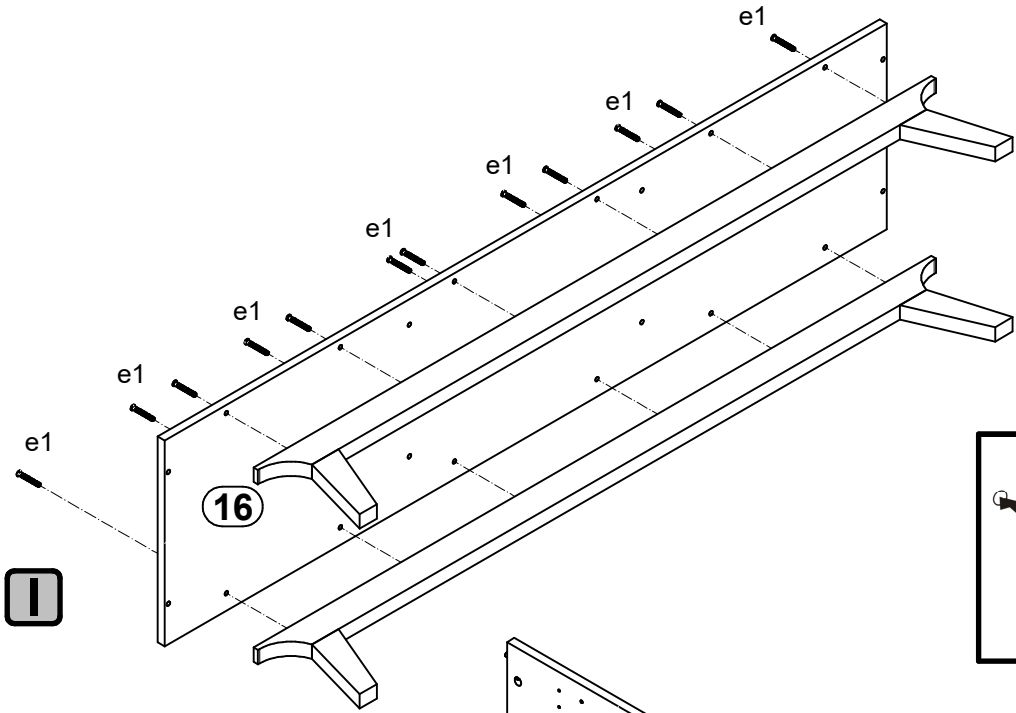
A	B	C	D	A	B	C	D		
1	S431-0011	538	183	3/3	17	S431-3001	505	373	1/3
2	S431-0013	538	183	3/3	18	S431-3002	524	373	1/3
3	S431-0014	538	183	3/3	19	S431-3003	1588	360	2/3
4	S431-0015	538	382	3/3	20	S431-3004	506	378	1/3
5	S431-0016	538	382	3/3	21	S431-3008	505	360	1/3
6	S431-0018	538	346	3/3	22	S431-5003	1588	80	2/3
7	S431-0019	538	183	3/3	23	S431-5005	1522	210	2/3
8	S431-0020	538	183	3/3	24	S431-5501	524	365	3/3
9	S431-1011	1055	399	1/3	25	S431-5502	519	462	3/3
10	S431-1012	1055	399	1/3	26	S431-9001	477	357	3/3
11	S431-1013	307	379	1/3	27	S431-9005	1066	538	3/3
12	S431-1014	307	379	1/3	28	S431-9006	1066	522	3/3
13	S431-1015	732	379	1/3	29	ZQ6-5035	466	97	1/3
14	S431-1016	732	379	1/3	30	ZQ6-519	350	110	1/3
15	S431-2001	1621	400	2/3	31	ZQ6-520	350	110	1/3
16	S431-2002	1621	400	2/3					



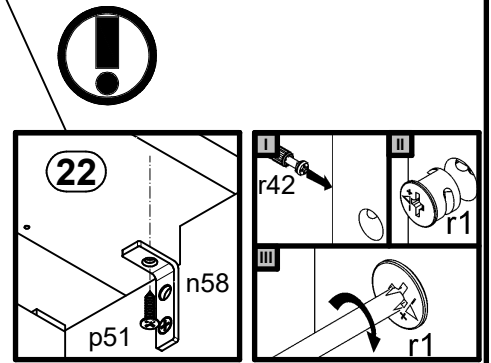
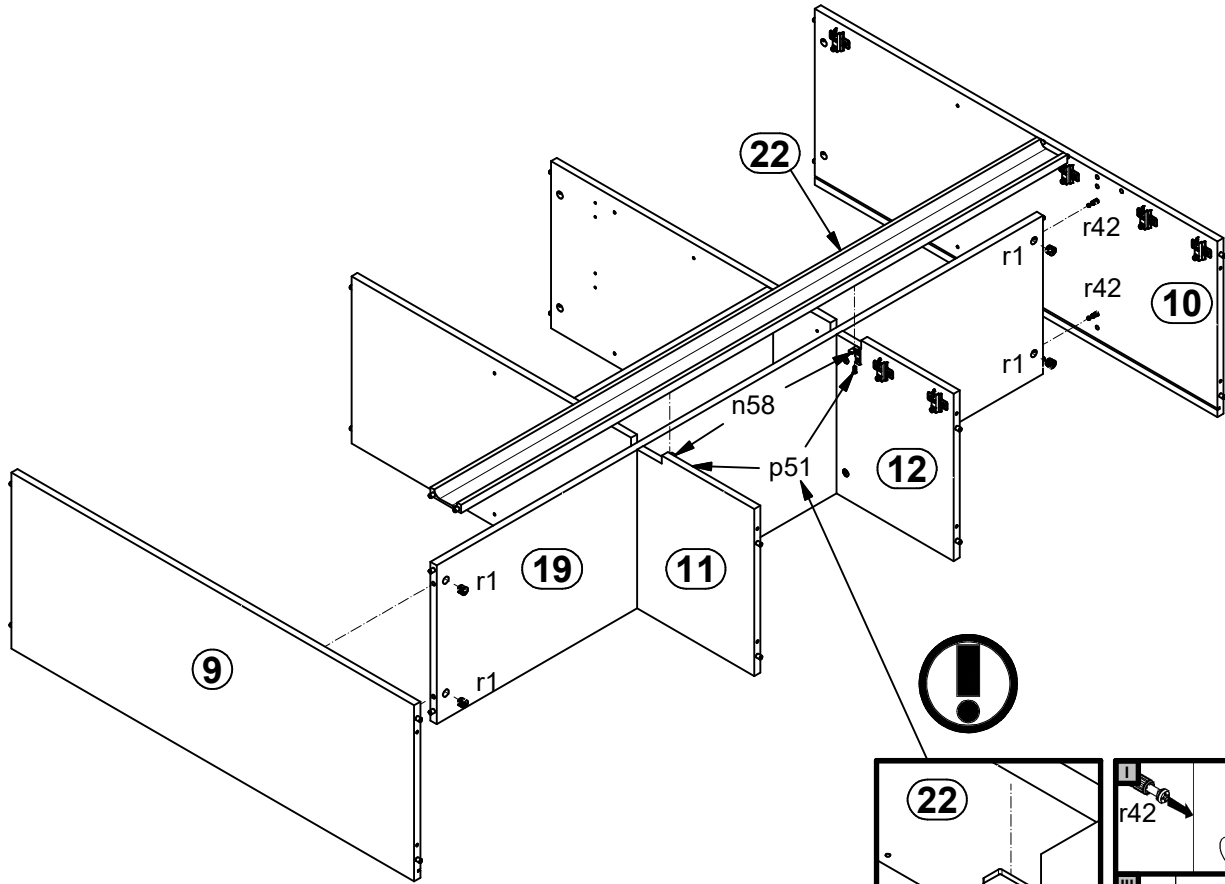
5x a133	10x a158	8x b83	2x b84	16x d1	8x d3	20x e1	16x e3	16x e47
28x f1	4x f6	8x f25	10x l2	2x n58	8x n108	2x o43l8	16x o54	1x o70
15x p38	24x p51	12x p55	24x r1	4x r10	8x r15	24x r42	2x 350 mm W117/L	2x 350 mm W117/P
12x s59	6x s68	1x z1	1x n26l1	1x p38				



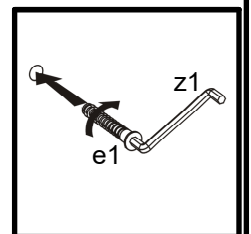
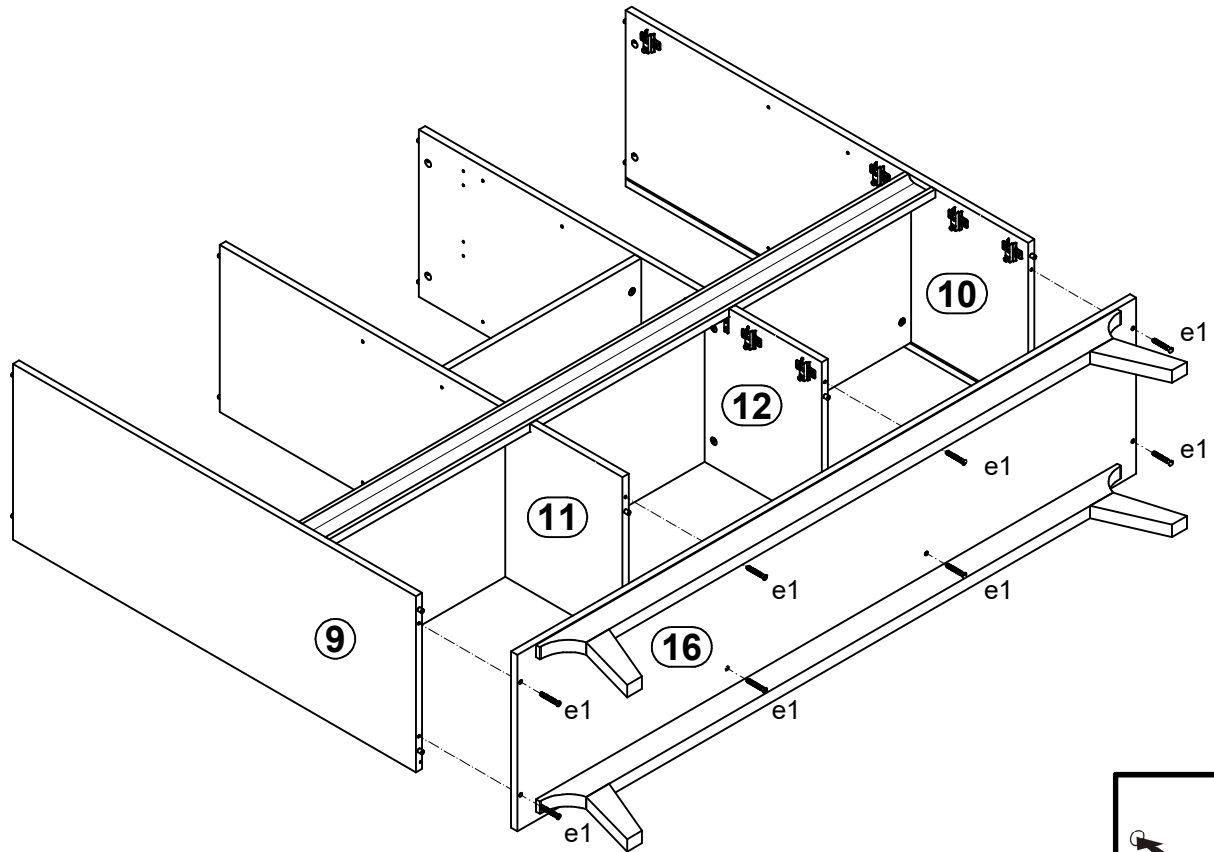
2 



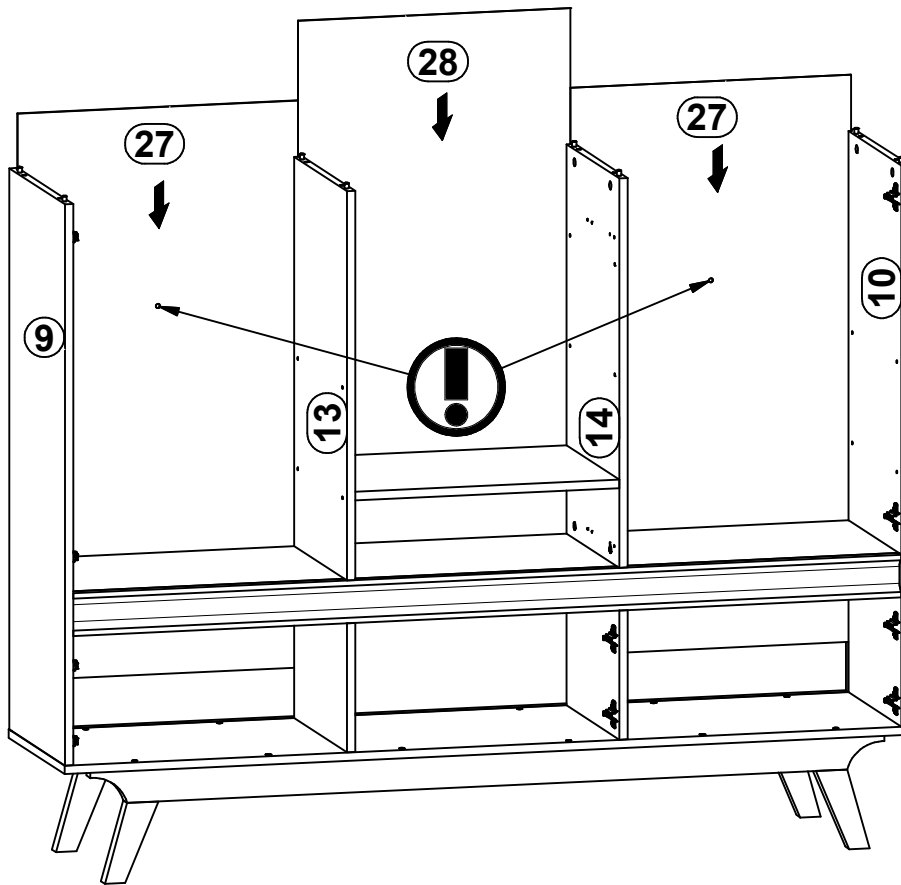
3



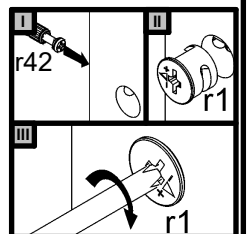
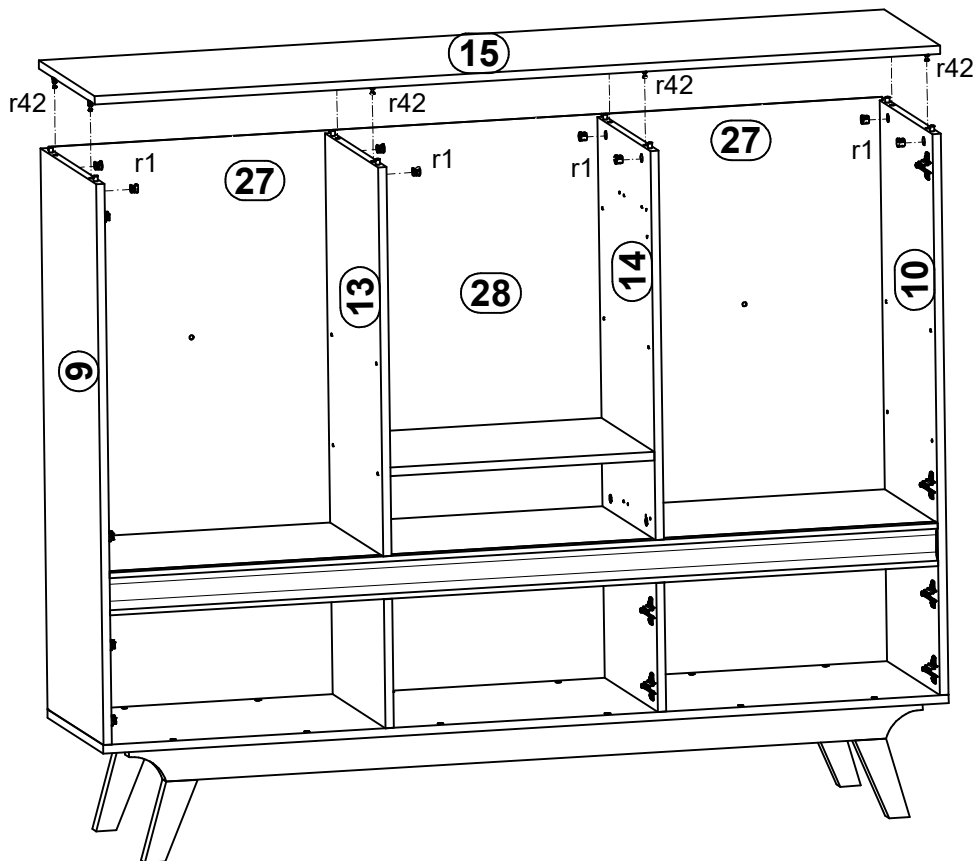
4



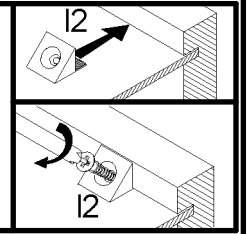
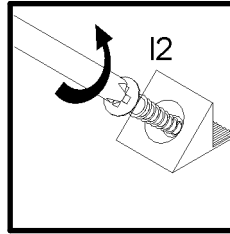
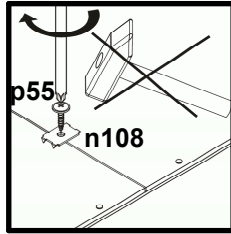
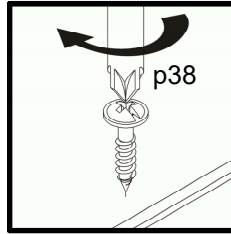
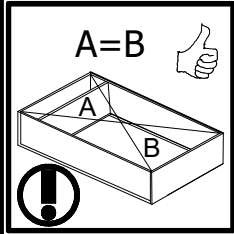
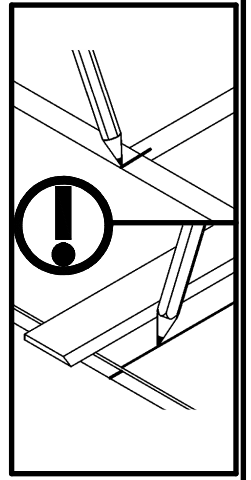
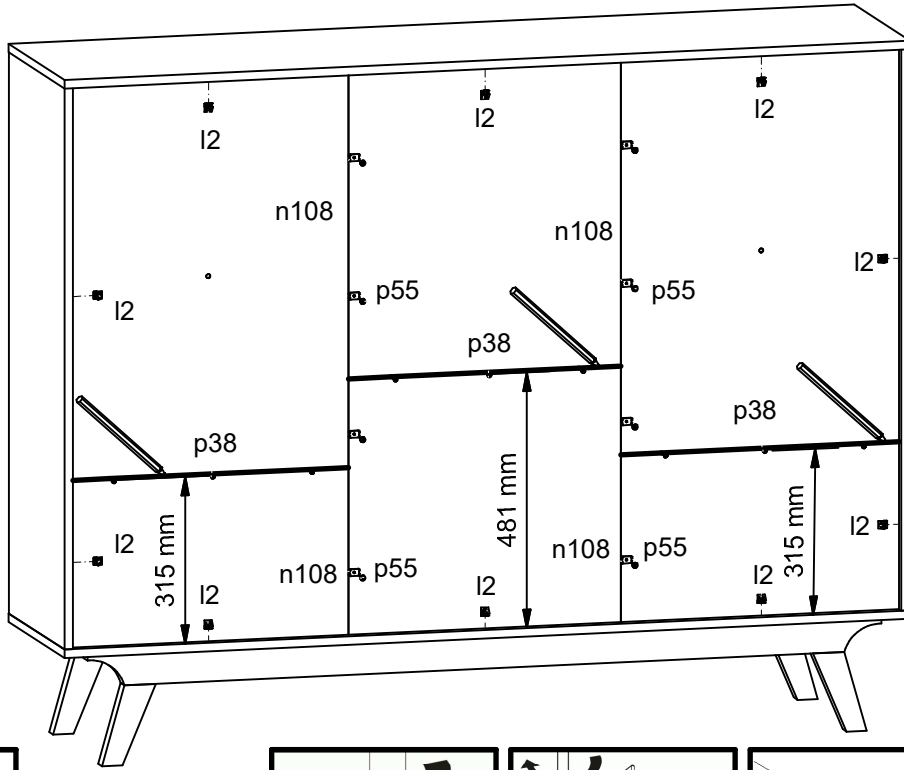
5



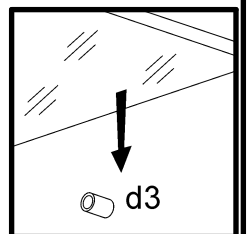
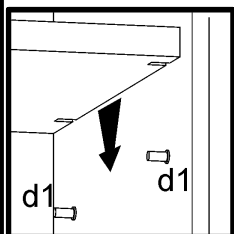
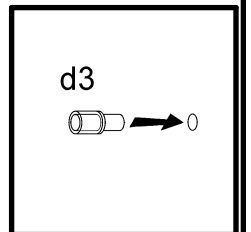
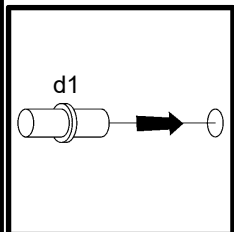
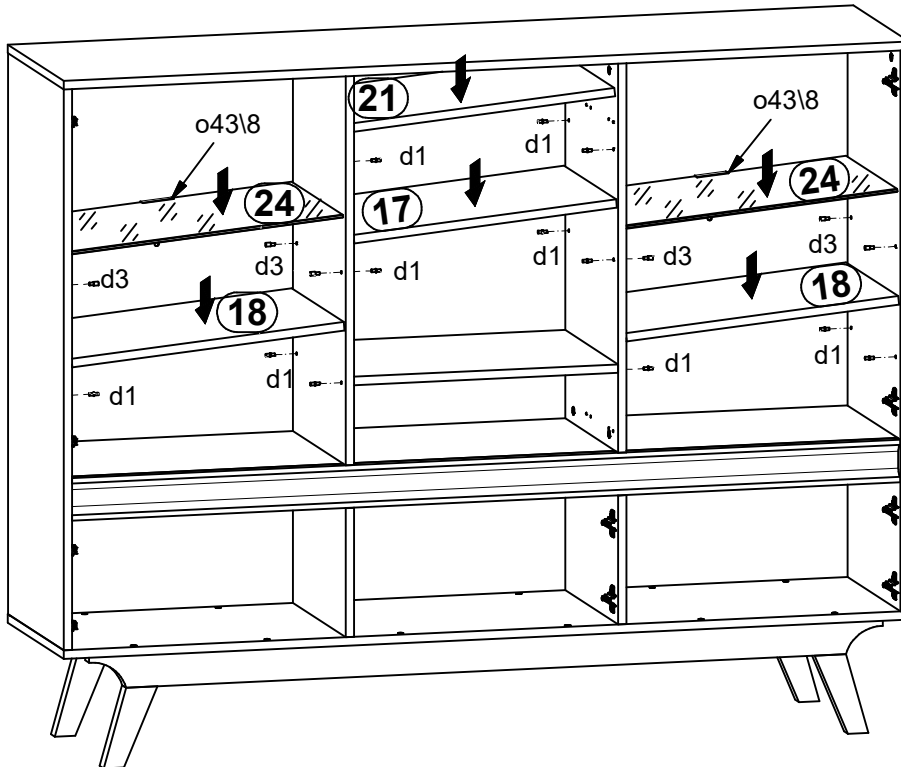
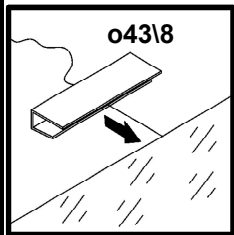
6



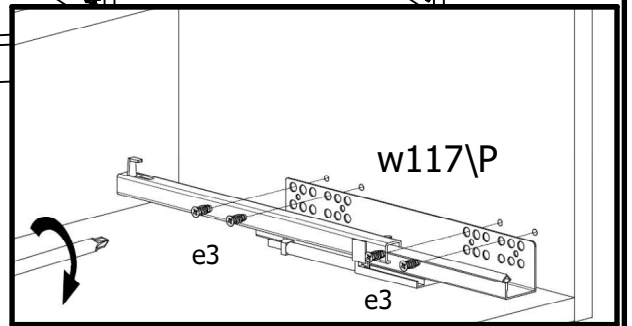
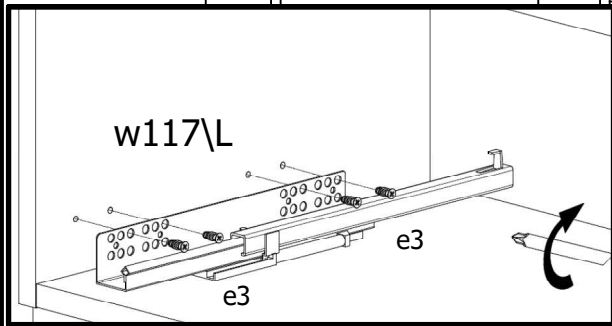
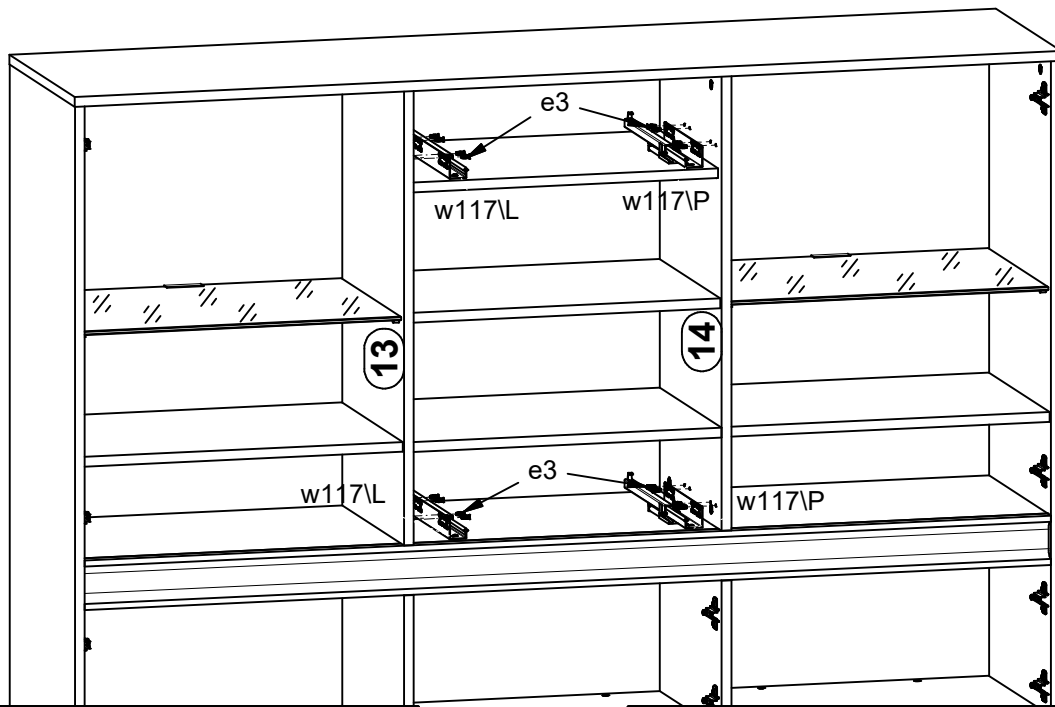
7



8

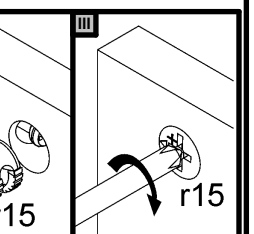
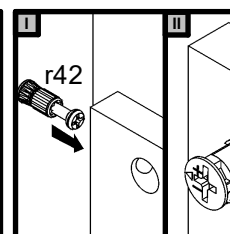
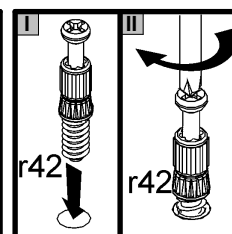
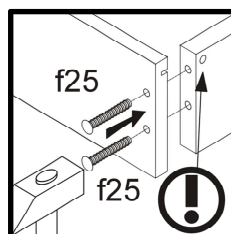
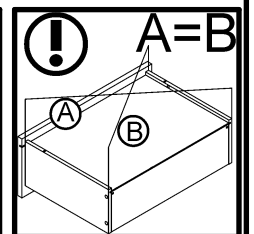
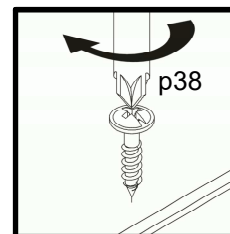
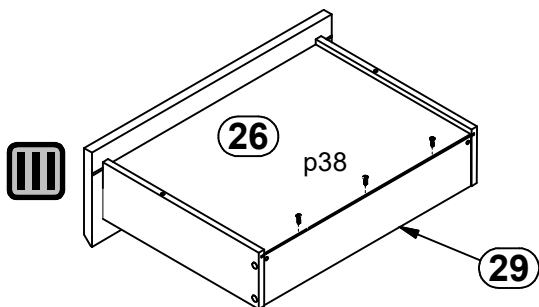
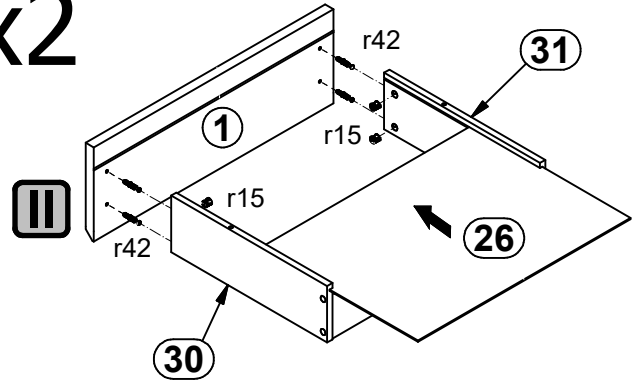
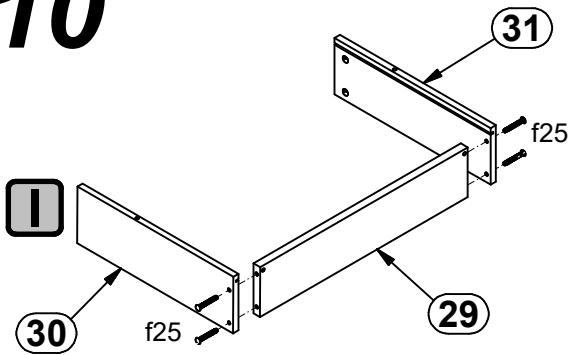


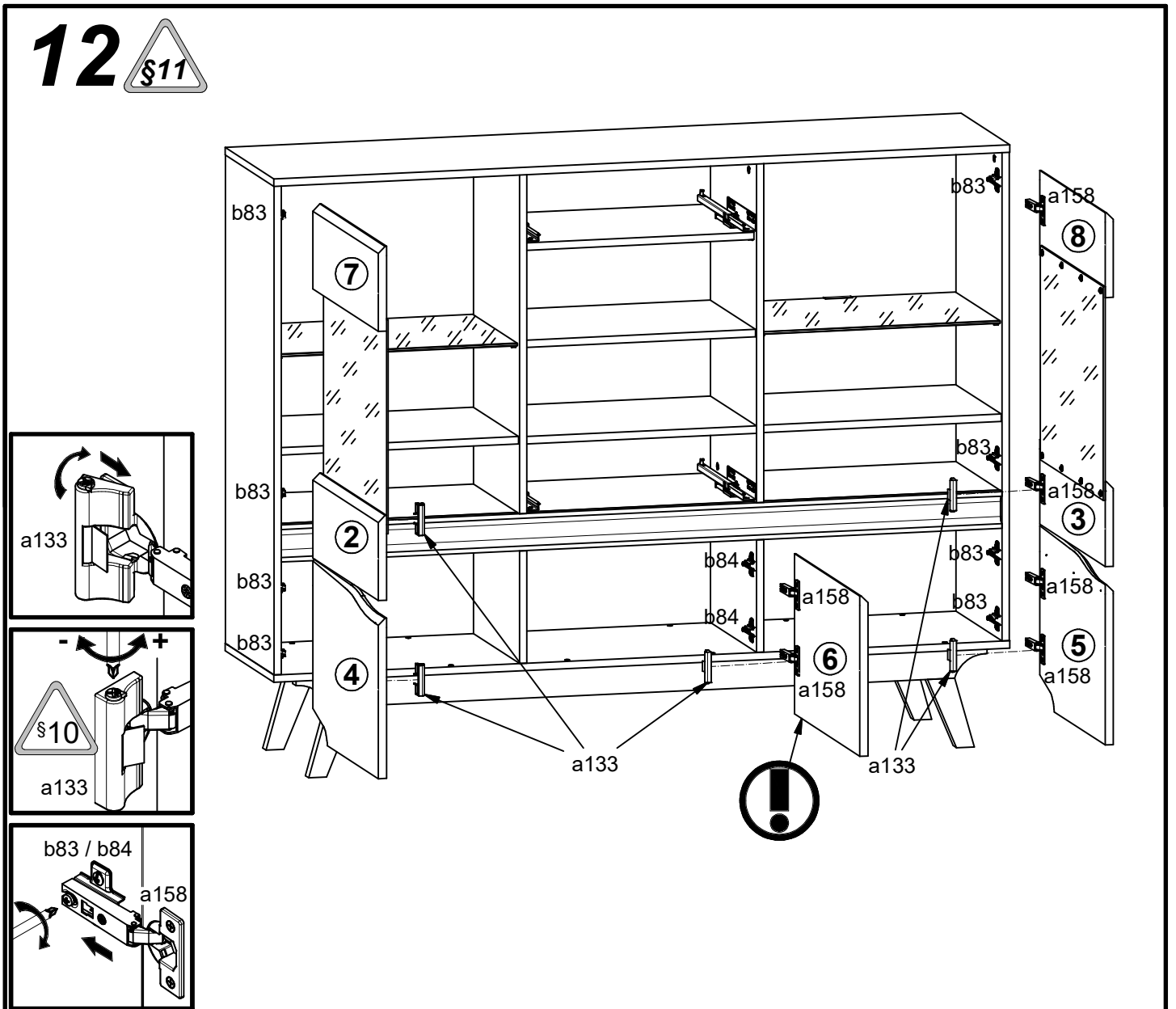
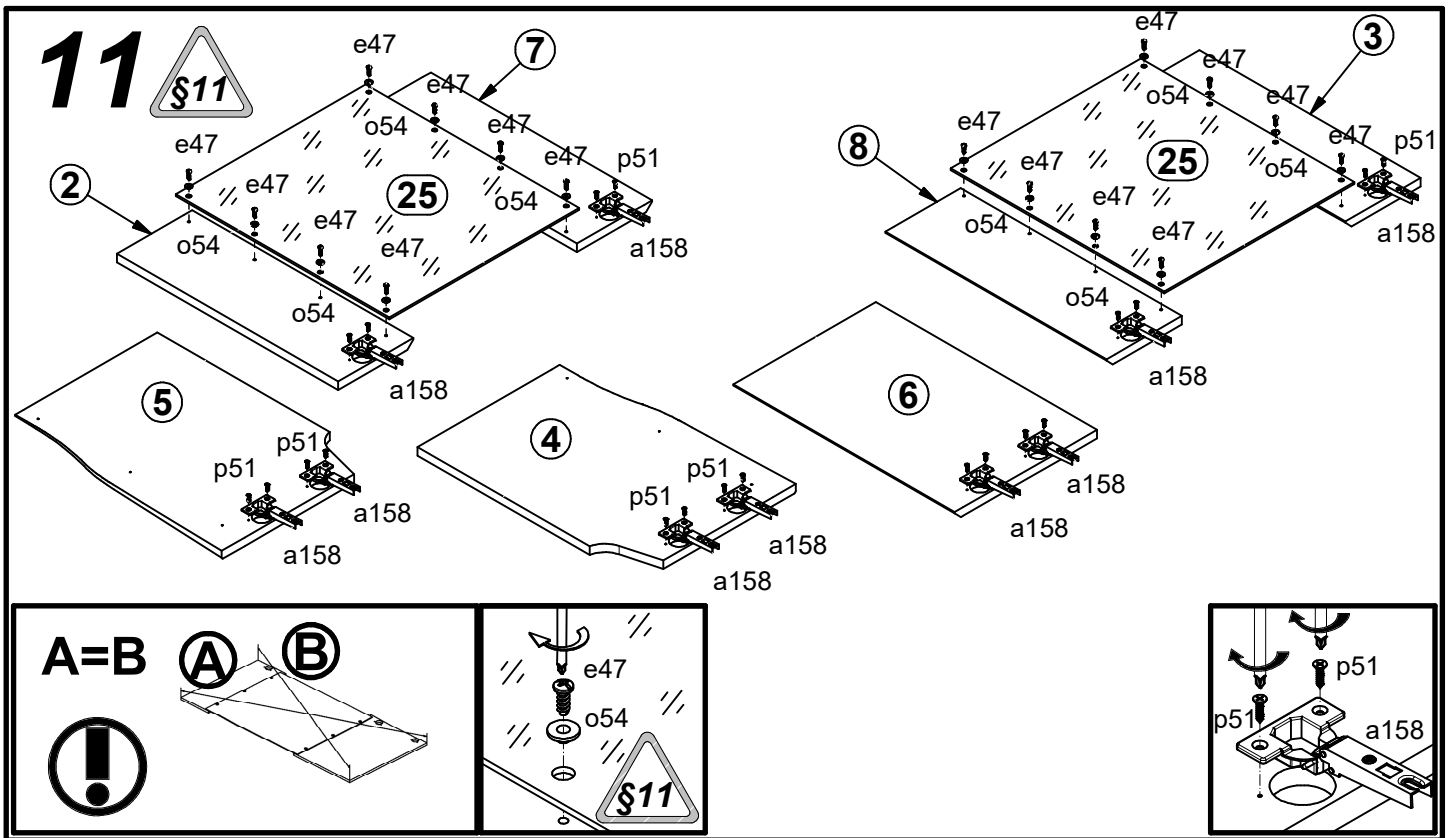
9



10

x2





13

