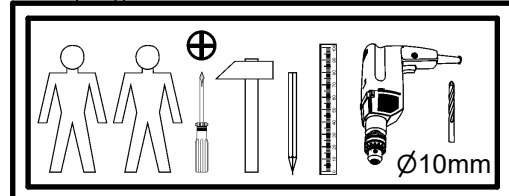
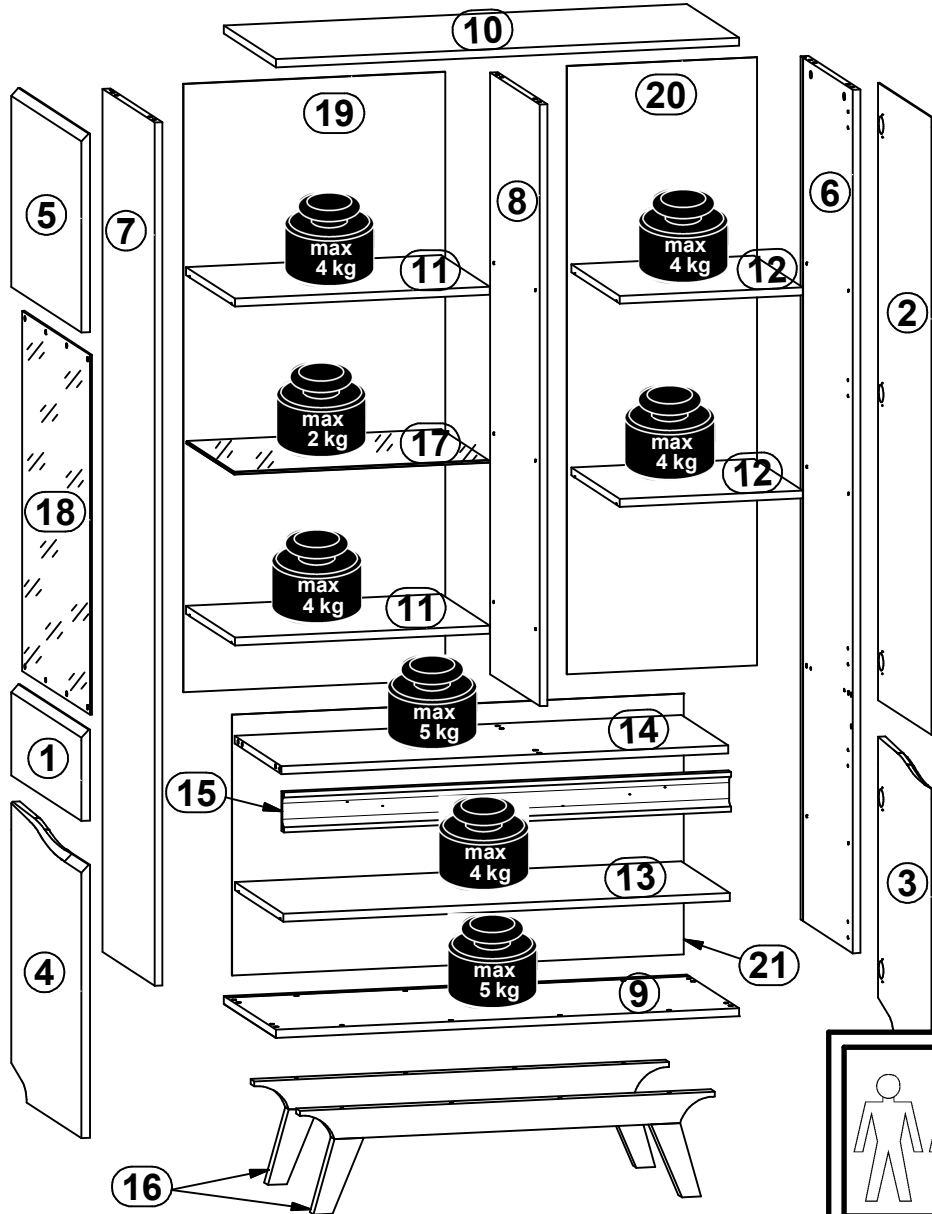
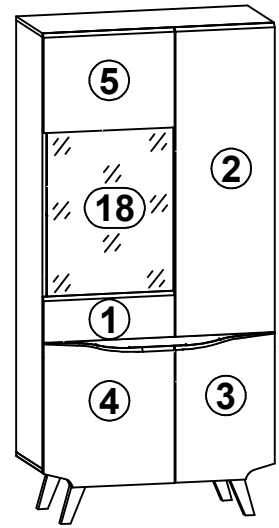
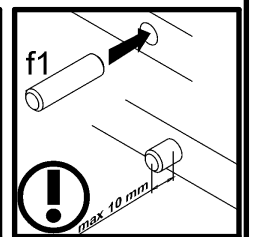
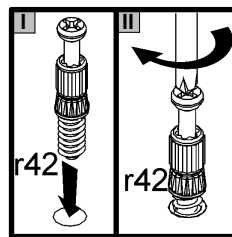
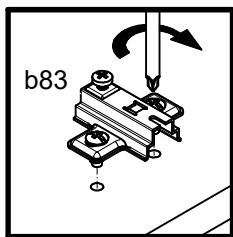
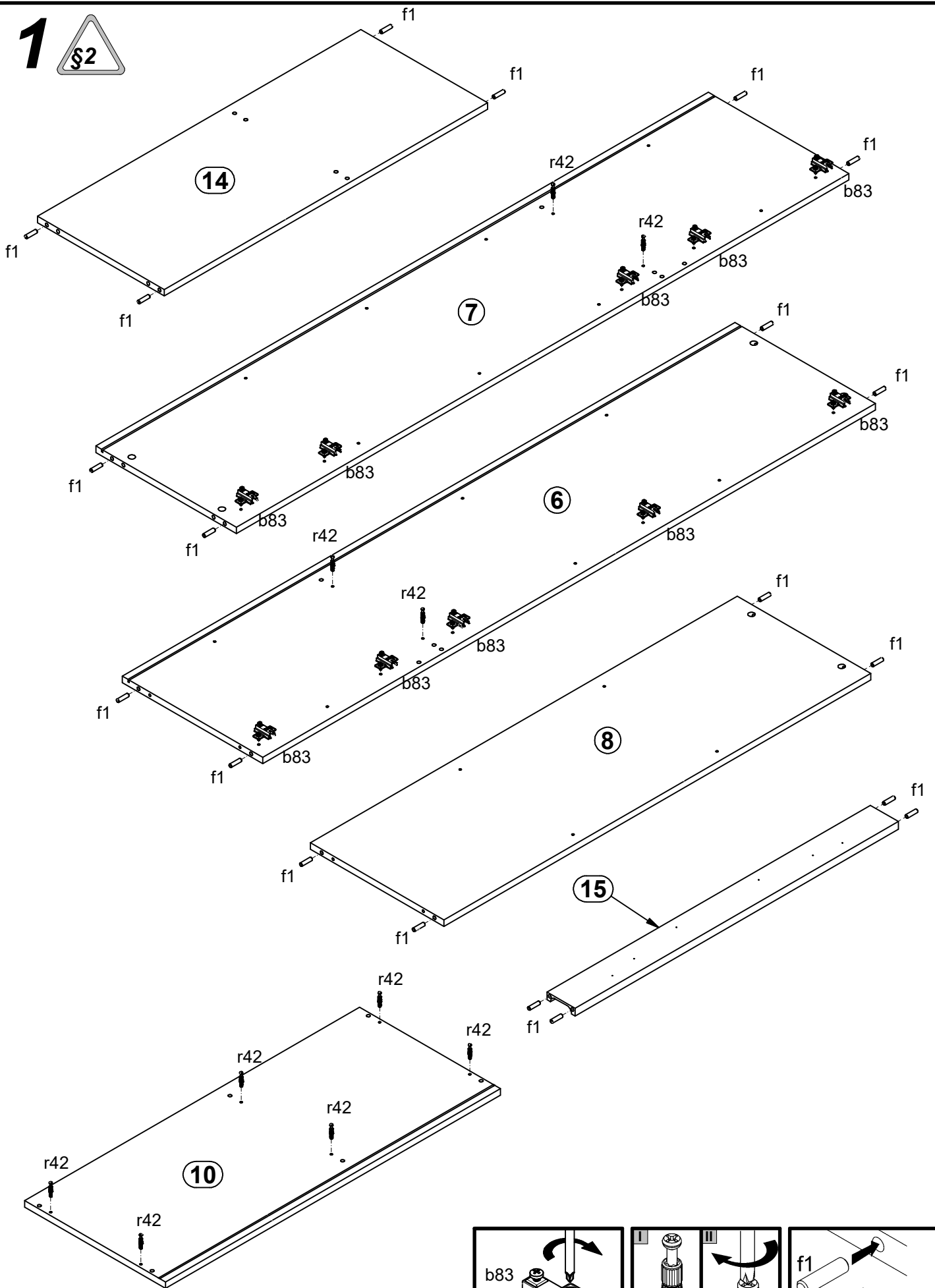


A	B	C	D	A	B	C	D	
1	S431-0013	538	183	3/3	12	S431-3006	376 373	1/3
2	S431-0025	408	1244	3/3	13	S431-3007	917 373	1/3
3	S431-0026	408	586	3/3	14	S431-3009	918 360	2/3
4	S431-0027	538	586	3/3	15	S431-5004	918 80	2/3
5	S431-0029	538	400	3/3	16	S431-5006	852 210	2/3
6	S431-1020	1739	399	1/3	17	S431-5501	524 365	3/3
7	S431-1021	1739	399	1/3	18	S431-5503	725 519	3/3
8	S431-1022	1212	379	1/3	19	S431-9010	1225 538	3/3
9	S431-2004	951	400	2/3	20	S431-9011	1225 390	3/3
10	S431-2005	951	400	2/3	21	S431-9013	525 928	3/3
11	S431-3002	524	373	2/3				

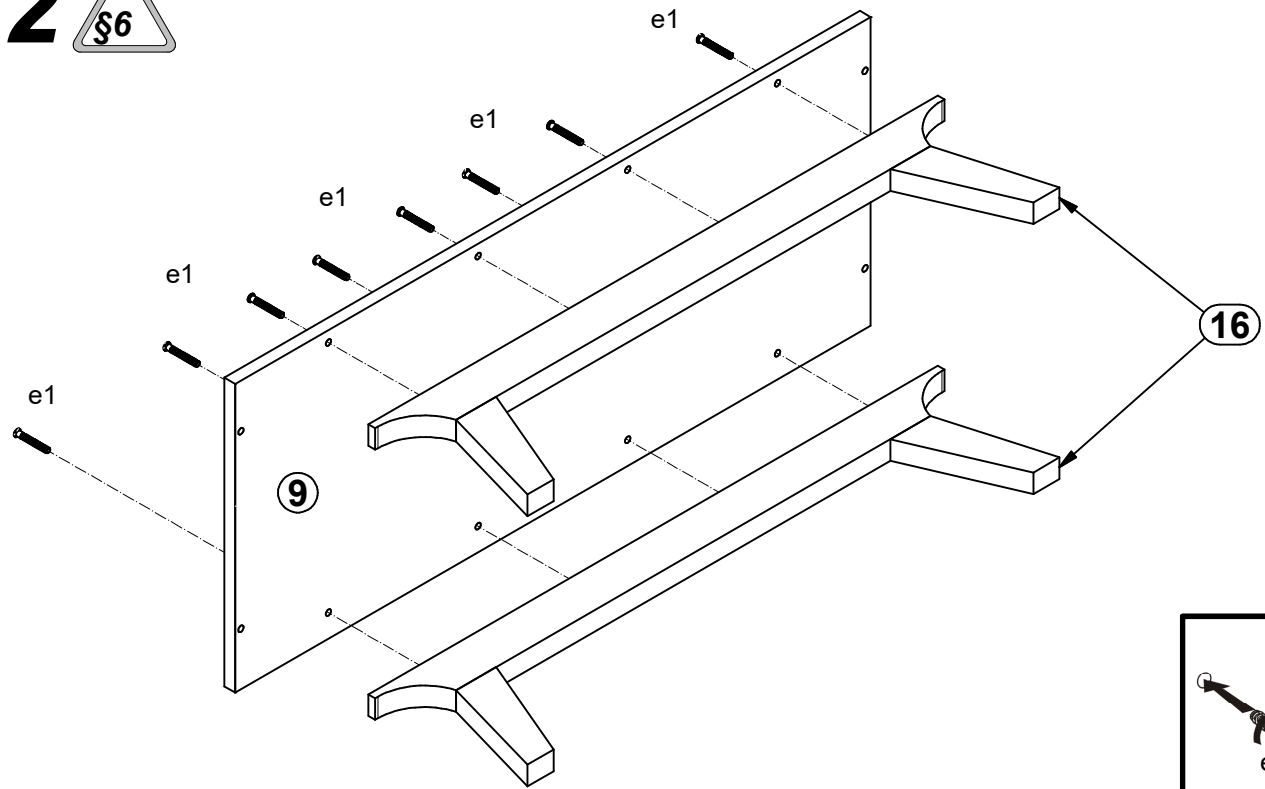


4x a133	10x a158	10x b83	20x d1	4x d3	14x e1	8x e47	20x f1	12x i2
9x n108	1x o43l8	8x o54	1x o70	20x p51	9x p55	10x r1	10x r42	8x s59
6x s68	1x z1							
				1x n14l2	2x p38	1x p17	1x f35	

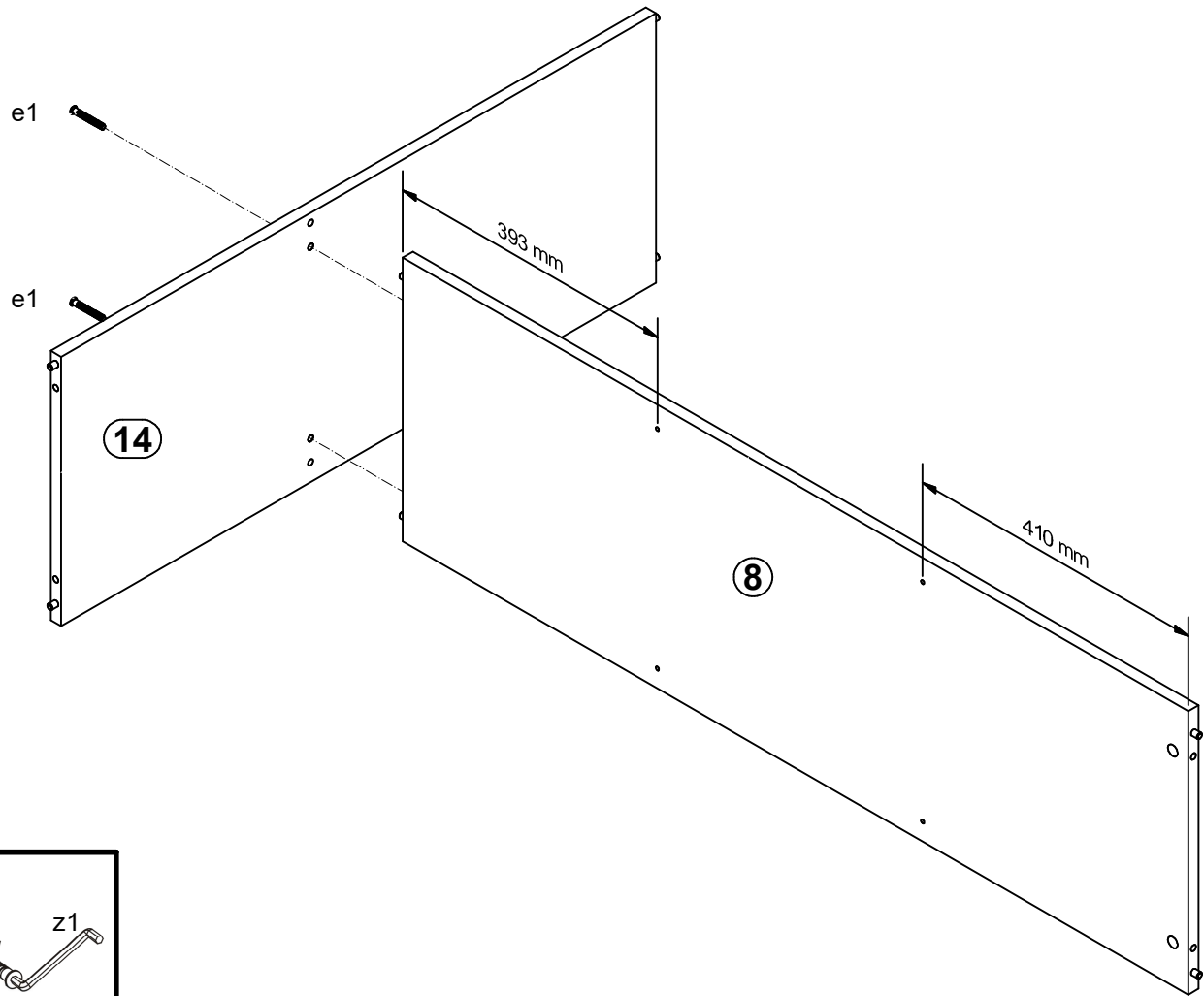
1 



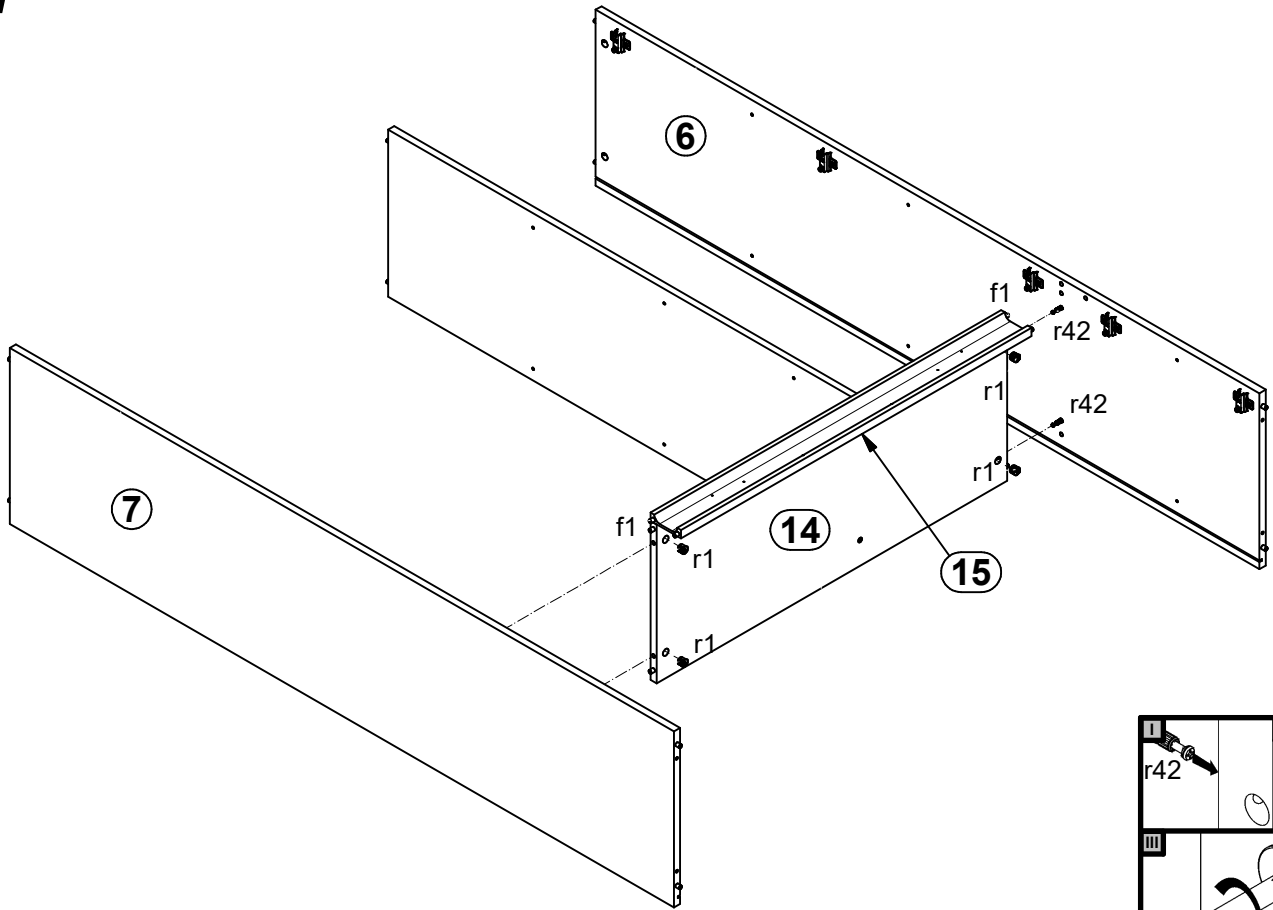
2



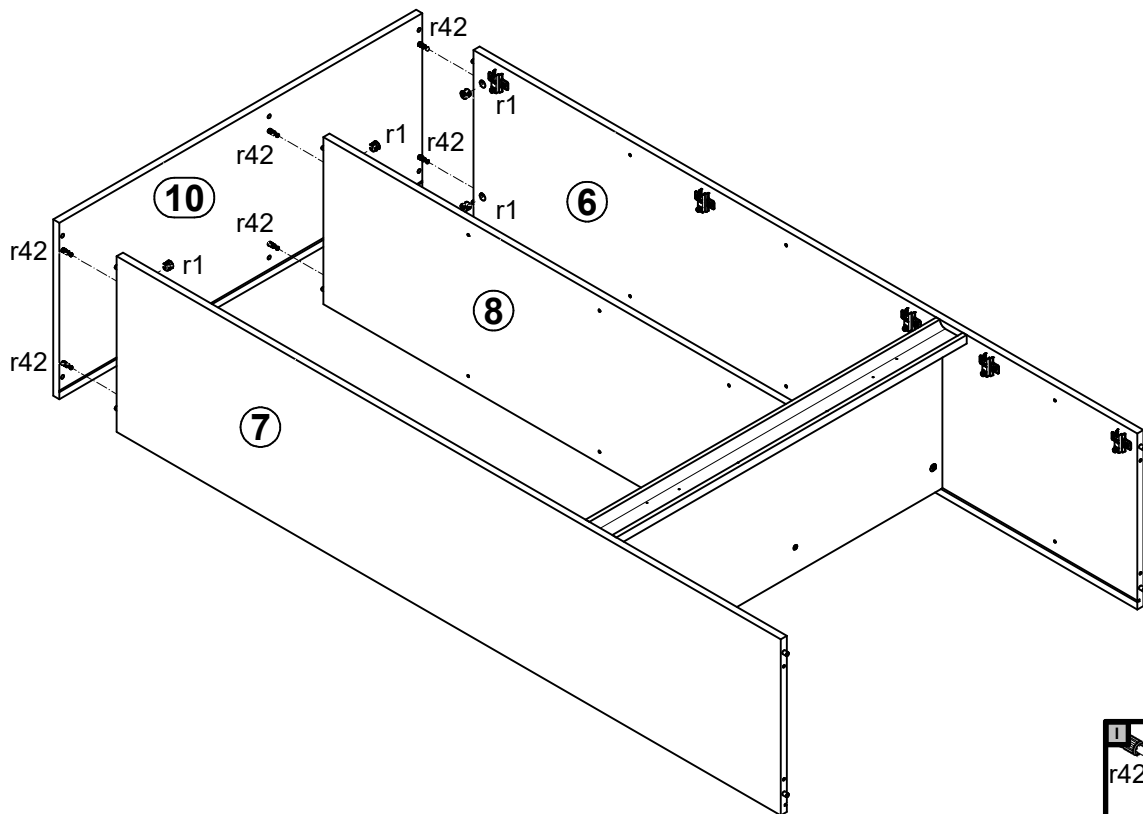
3



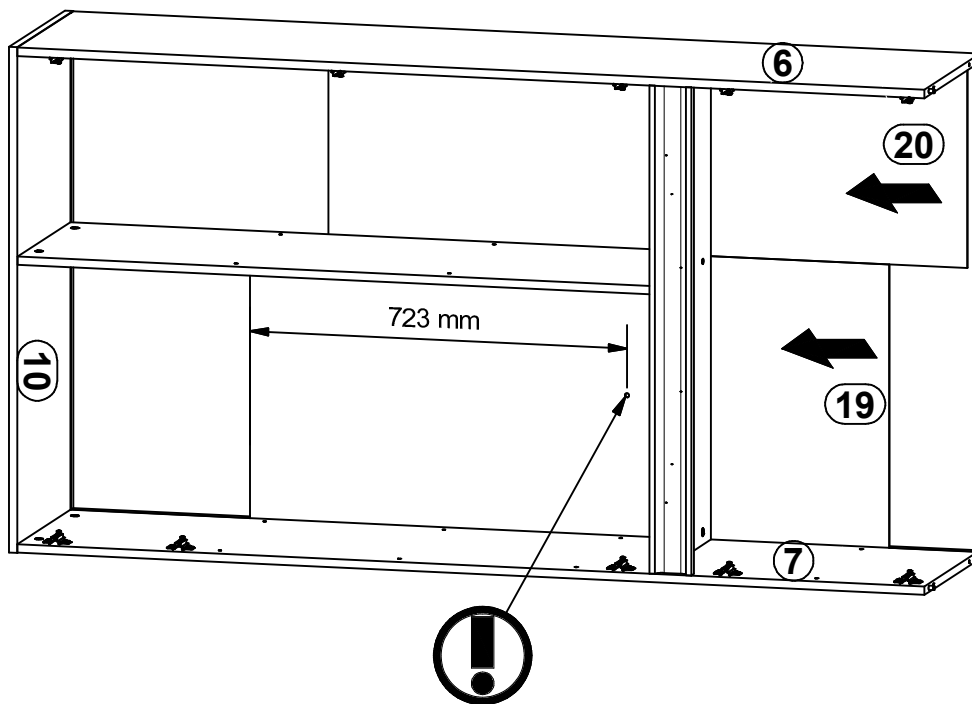
4



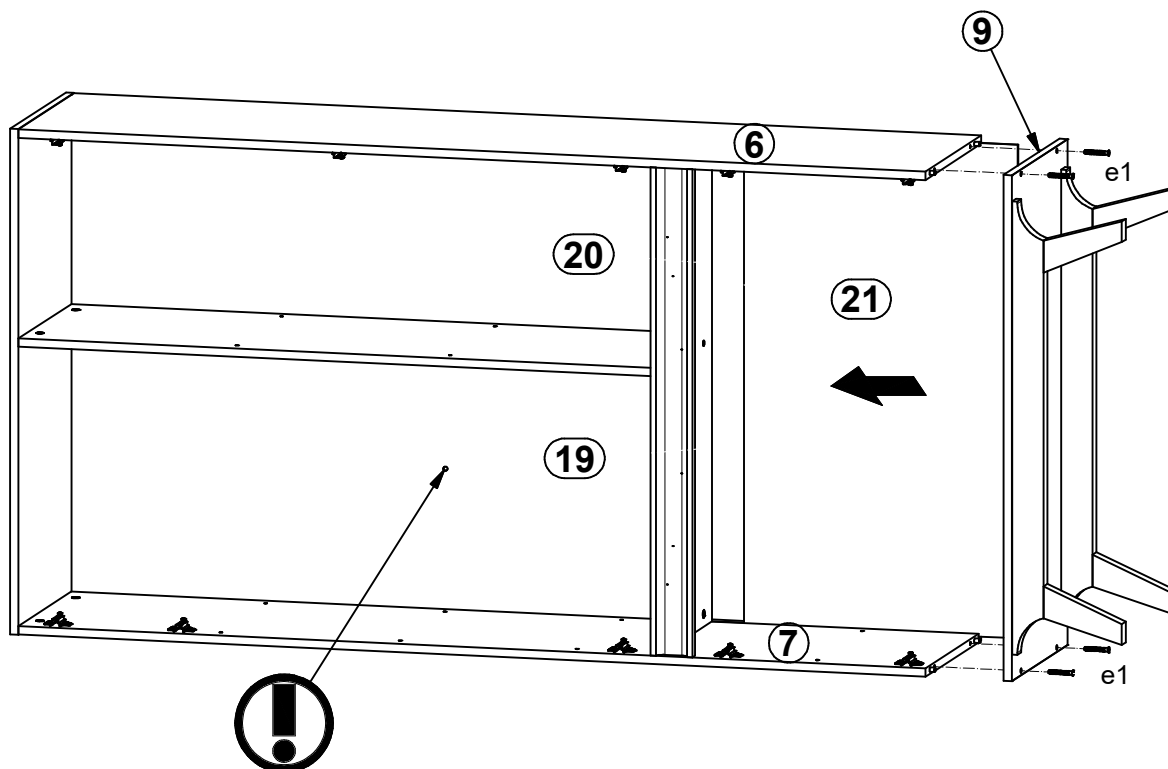
5



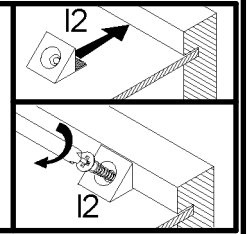
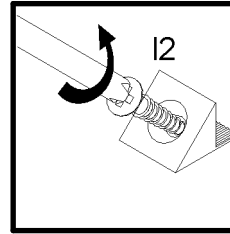
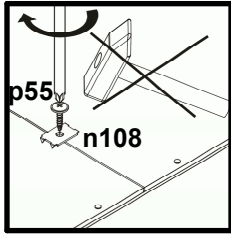
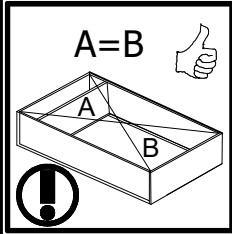
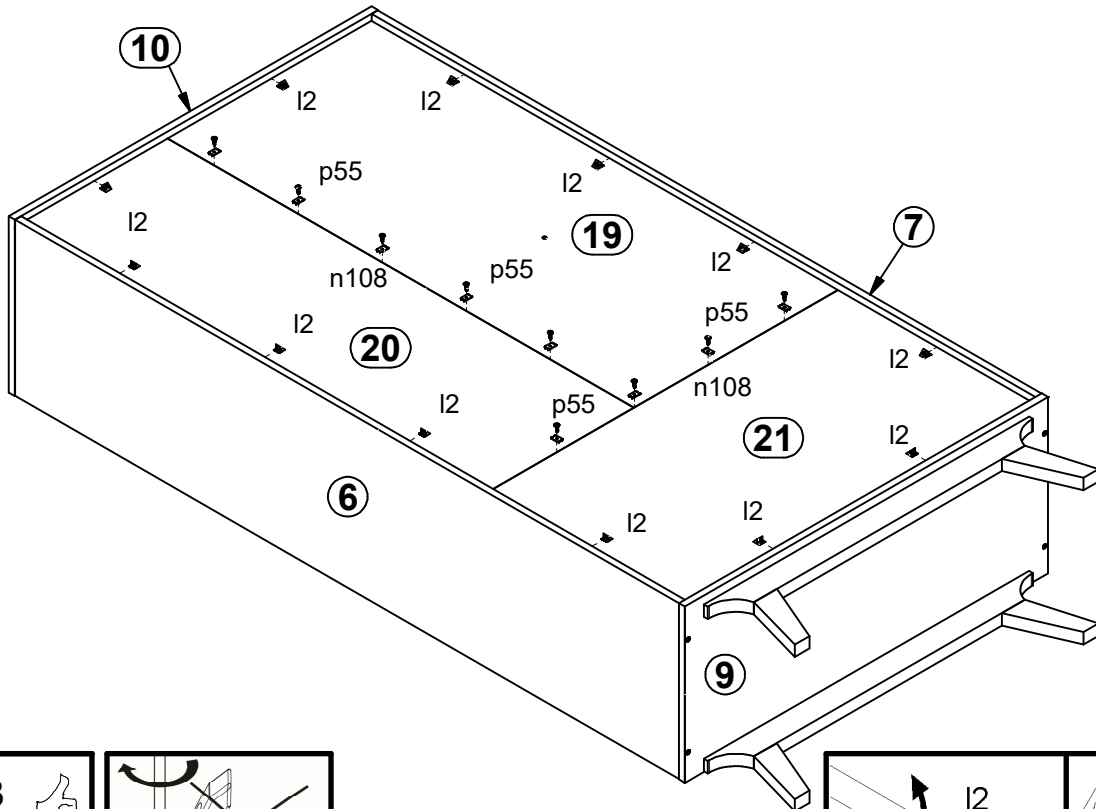
6



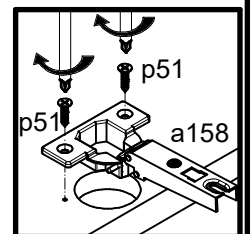
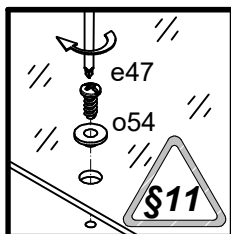
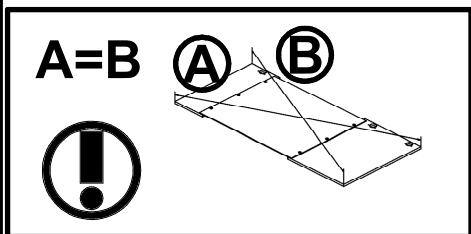
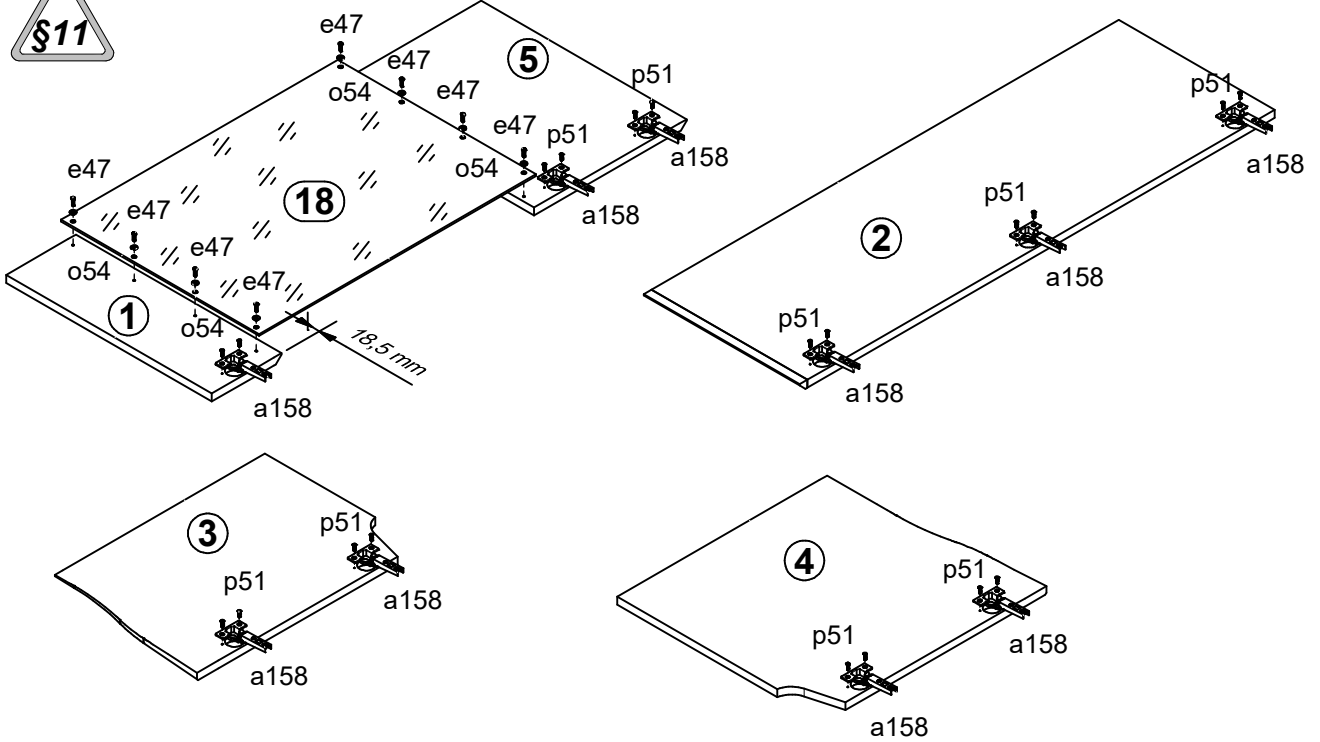
7



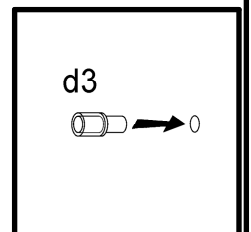
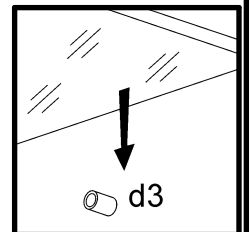
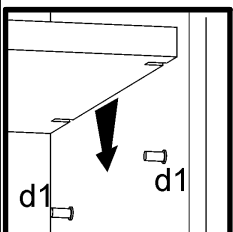
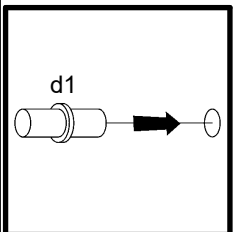
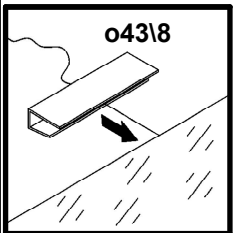
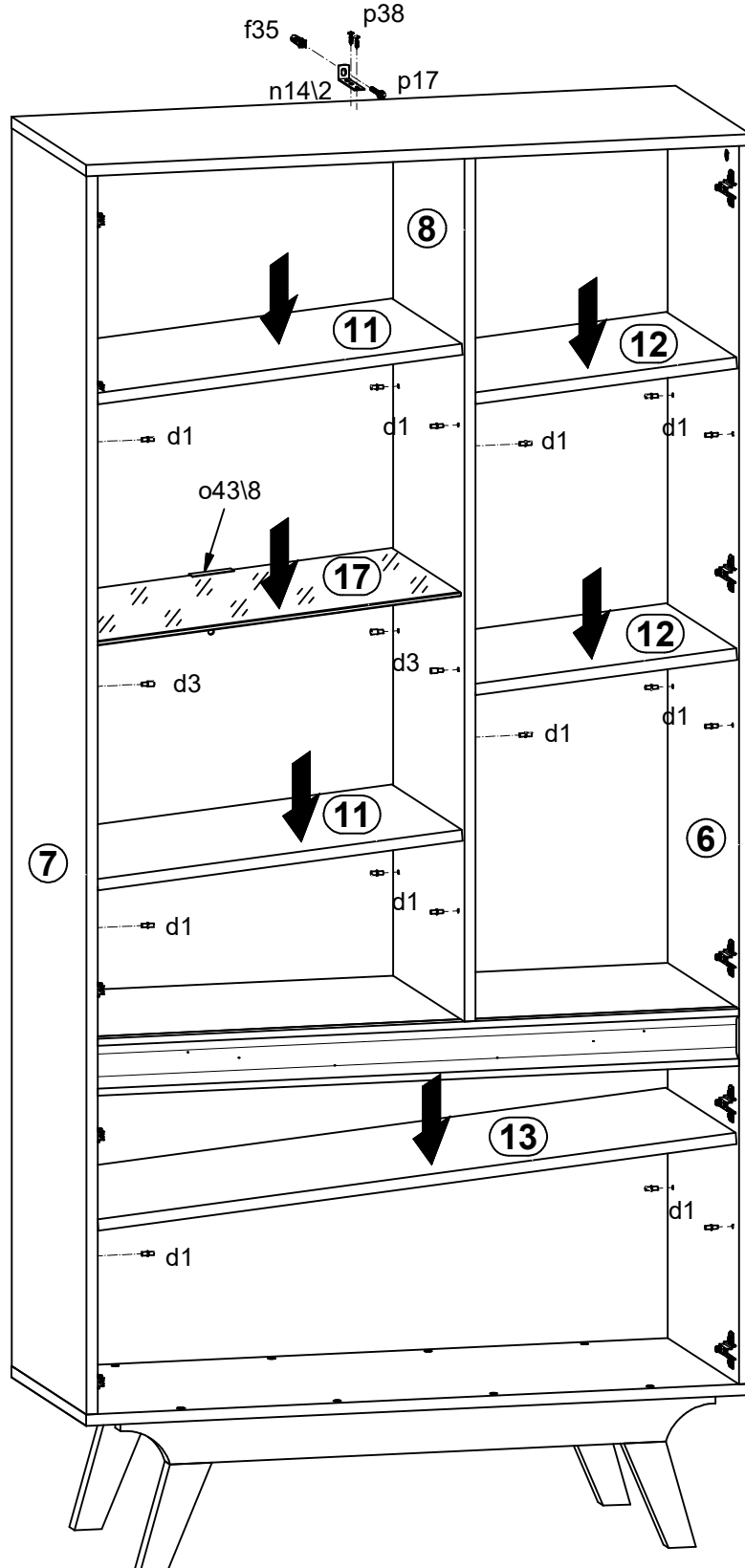
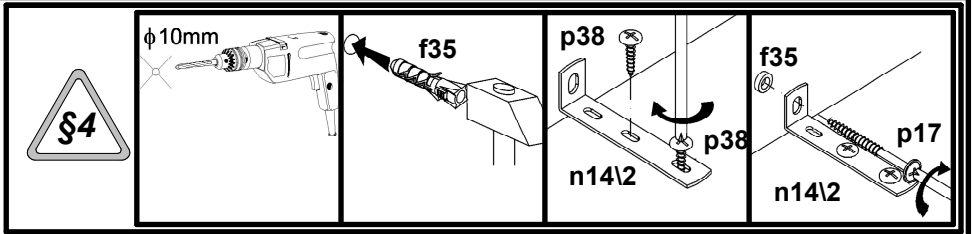
8



9



10



11

