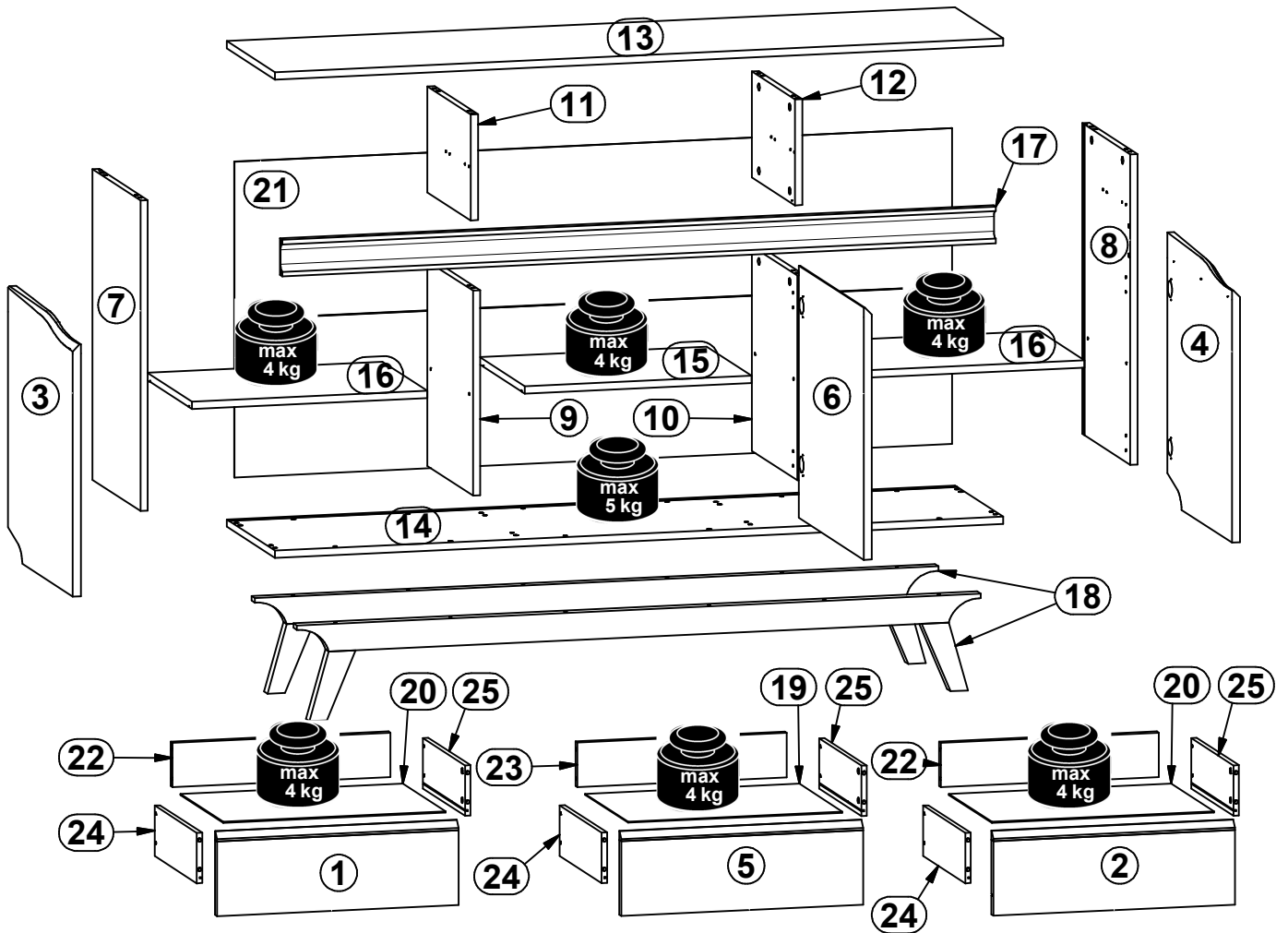
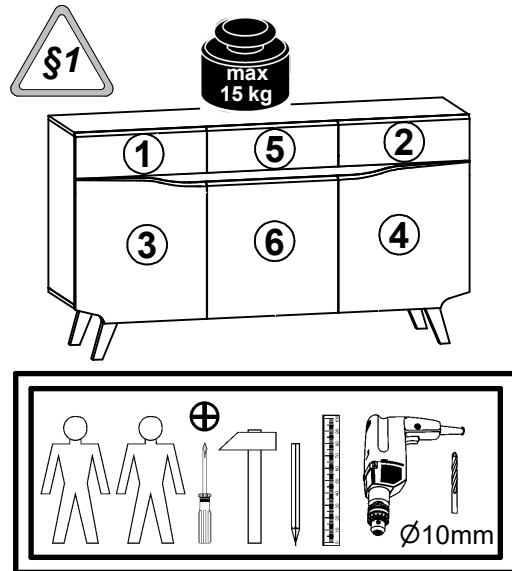
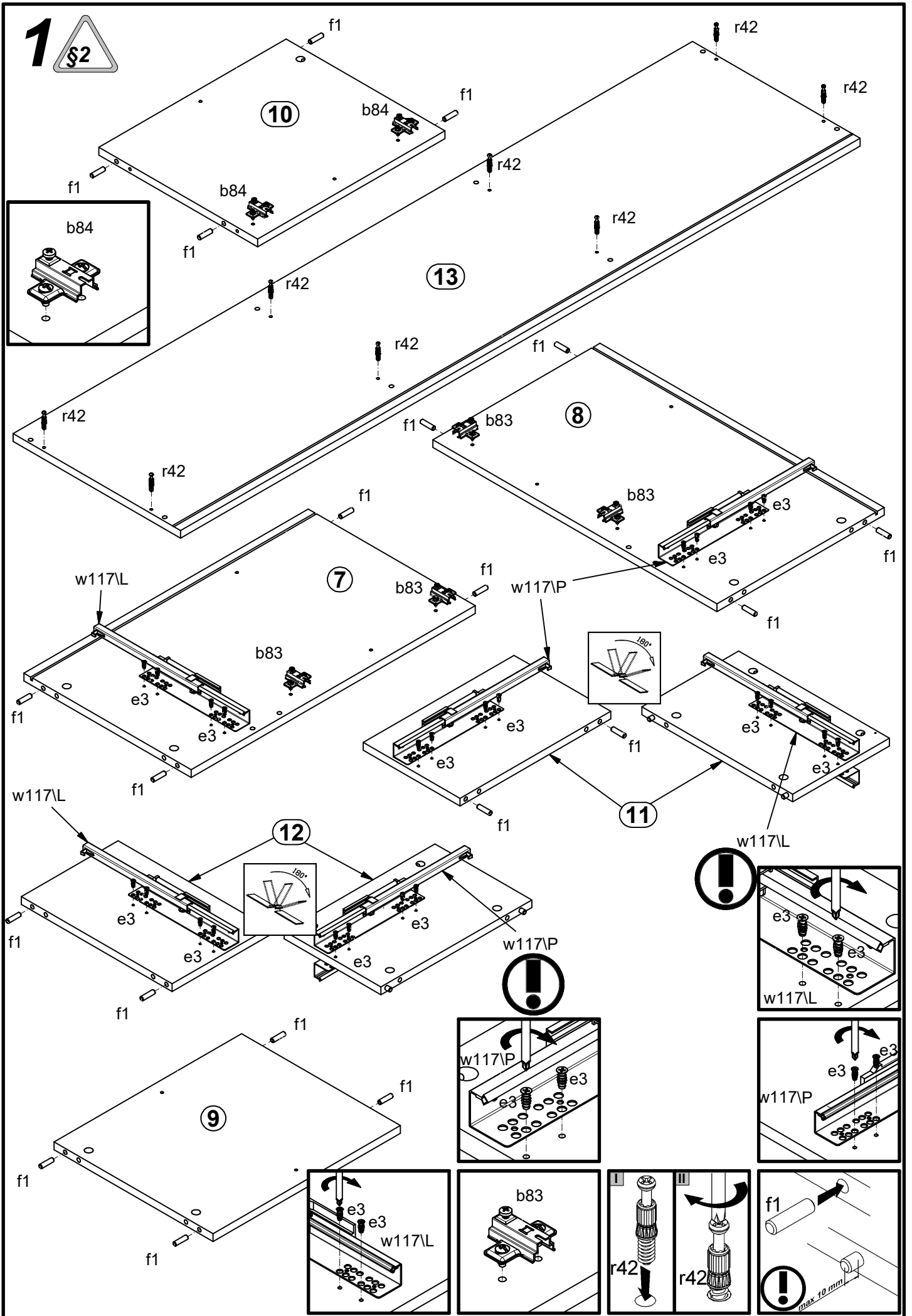


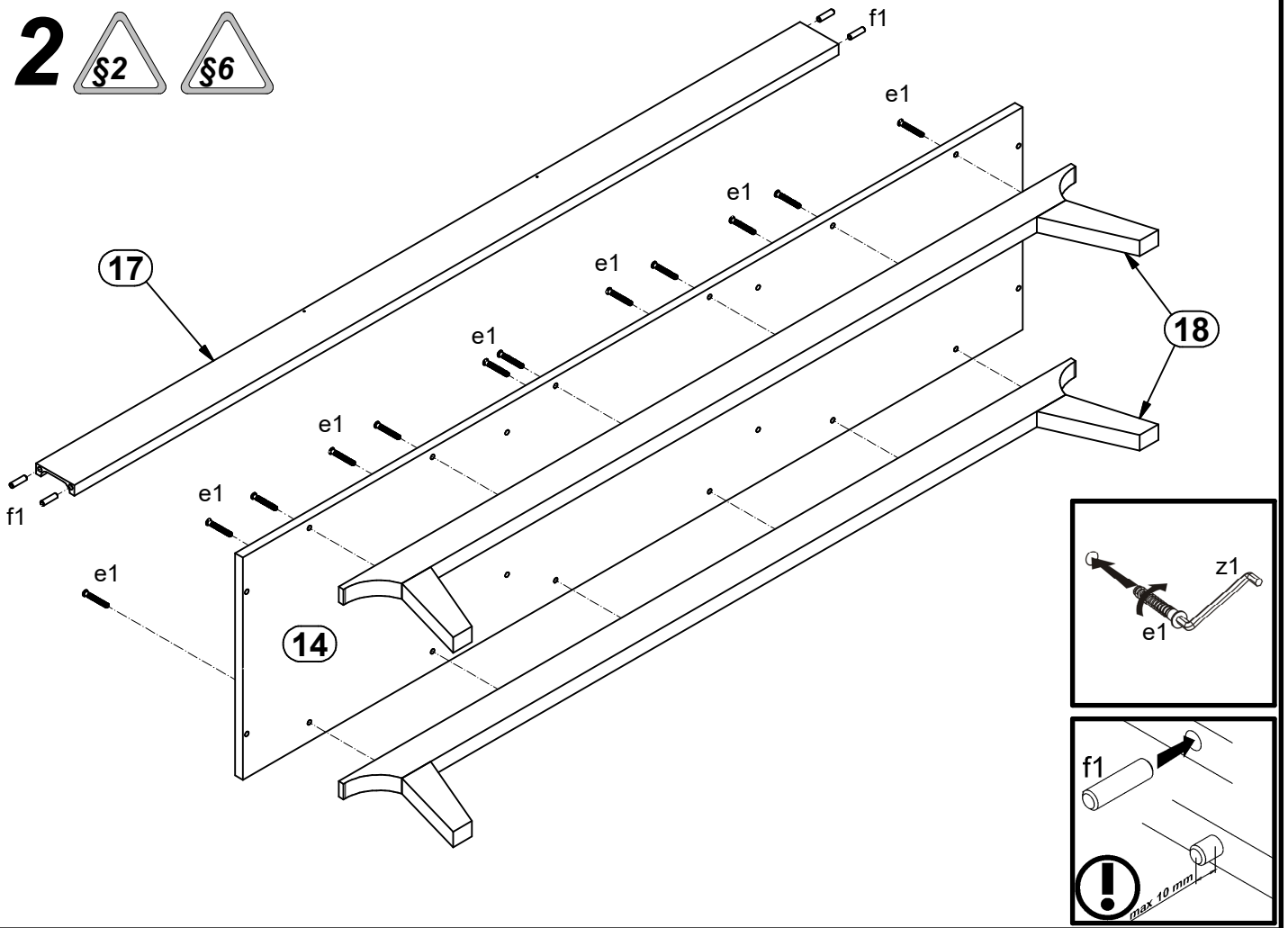
A	B	C	D	A	B	C	D		
1	S431-0007	538	183	3/3	14	S431-2002	1621	400	2/3
2	S431-0008	538	183	3/3	15	S431-3001	505	373	1/3
3	S431-0009	538	586	3/3	16	S431-3002	524	373	1/3
4	S431-0010	538	586	3/3	17	S431-5003	1588	80	2/3
5	S431-0011	538	183	3/3	18	S431-5005	1522	210	2/3
6	S431-0012	538	550	3/3	19	S431-9001	477	357	1/3
7	S431-1005	678	399	1/3	20	S431-9004	495	357	1/3
8	S431-1006	678	399	1/3	21	S431-9301	1598	689	2/3
9	S431-1007	447	379	1/3	22	ZQ6-5034	485	97	1/3
10	S431-1008	447	379	1/3	23	ZQ6-5035	466	97	1/3
11	S431-1009	231	360	1/3	24	ZQ6-519	350	110	1/3
12	S431-1010	231	360	1/3	25	ZQ6-520	350	110	1/3
13	S431-2001	1621	400	2/3					



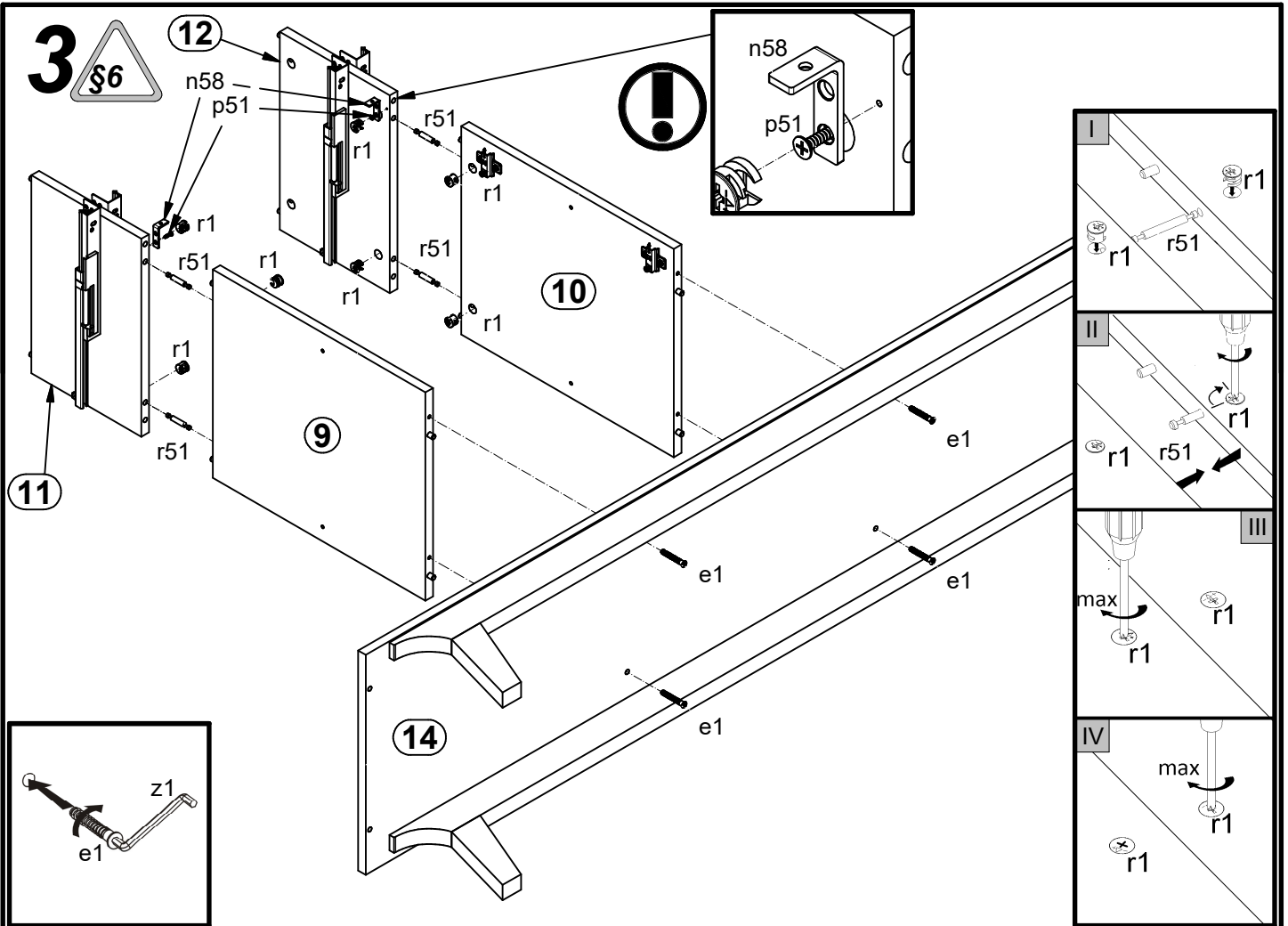
3x a133	6x a158	4x b83	2x b84	12x d1	20x e1	24x e3	24x f1	12x f25
8x i2	2x n58	17x p38	16x p51	6x p55	16x r1	12x r15	20x r42	4x r51
3x 350 mm W117L	3x 350 mm W117P	12x s59	8x s68	1x z1			1x n2611	1x p38

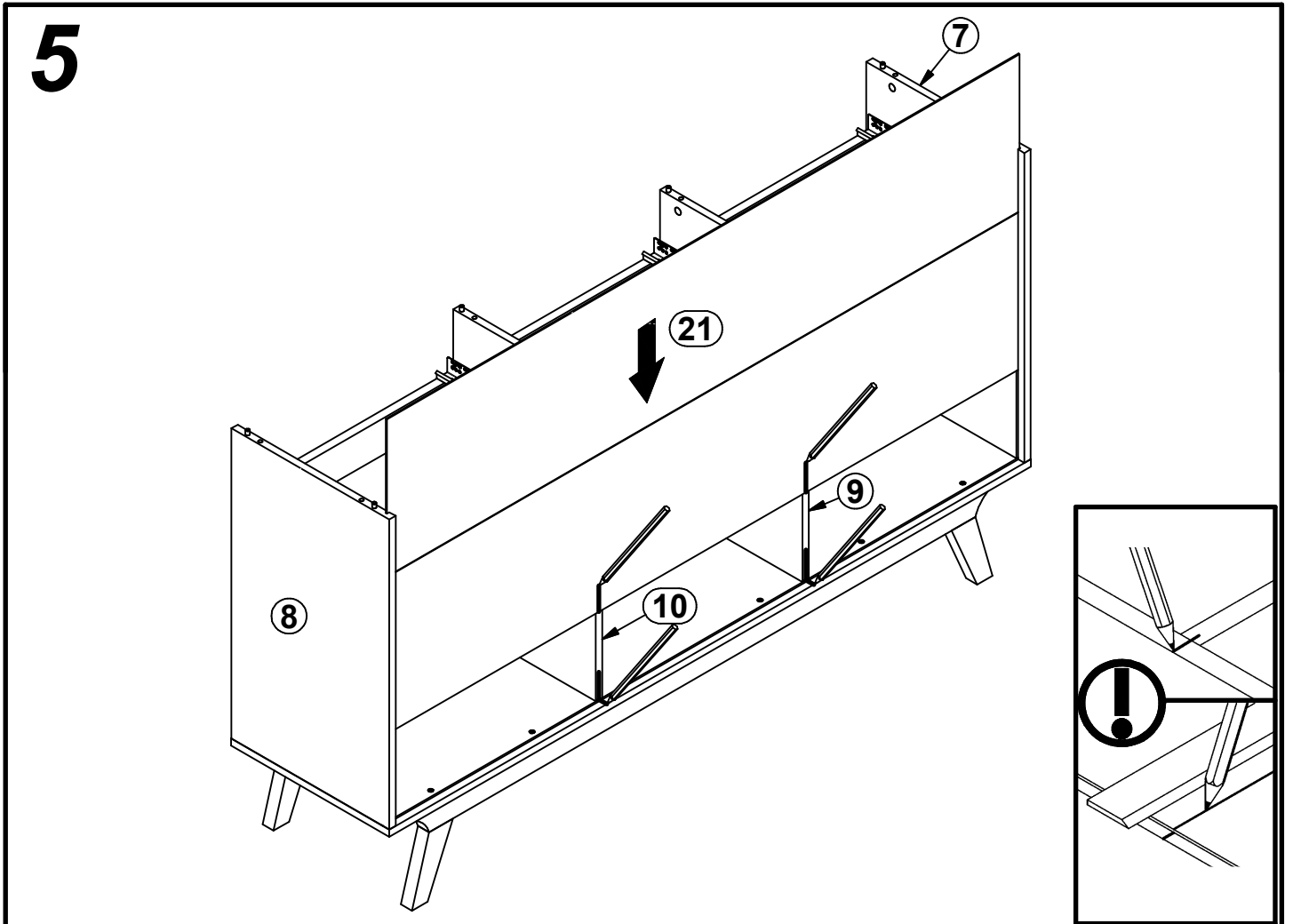
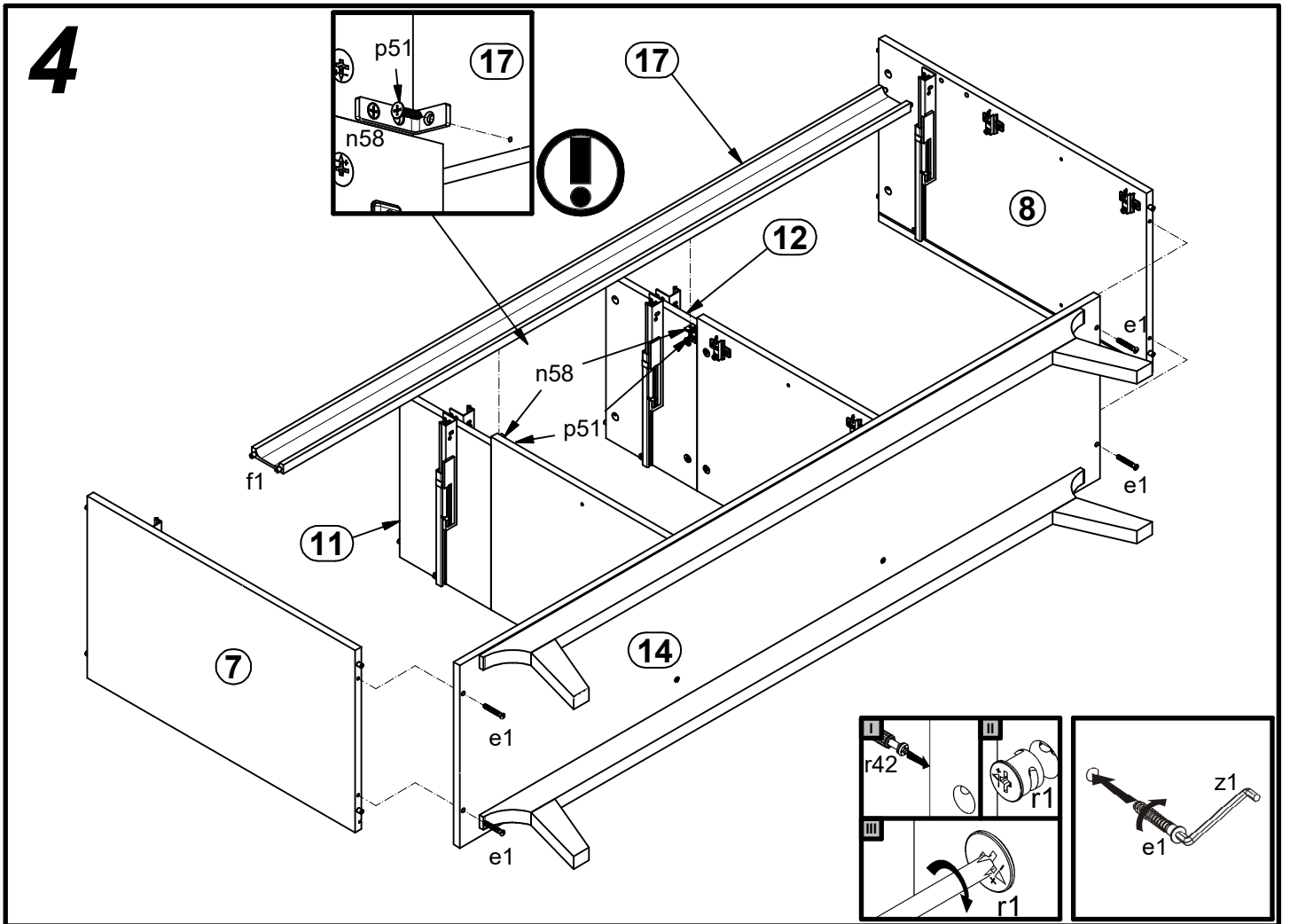


2

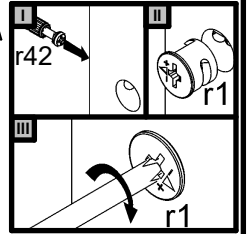
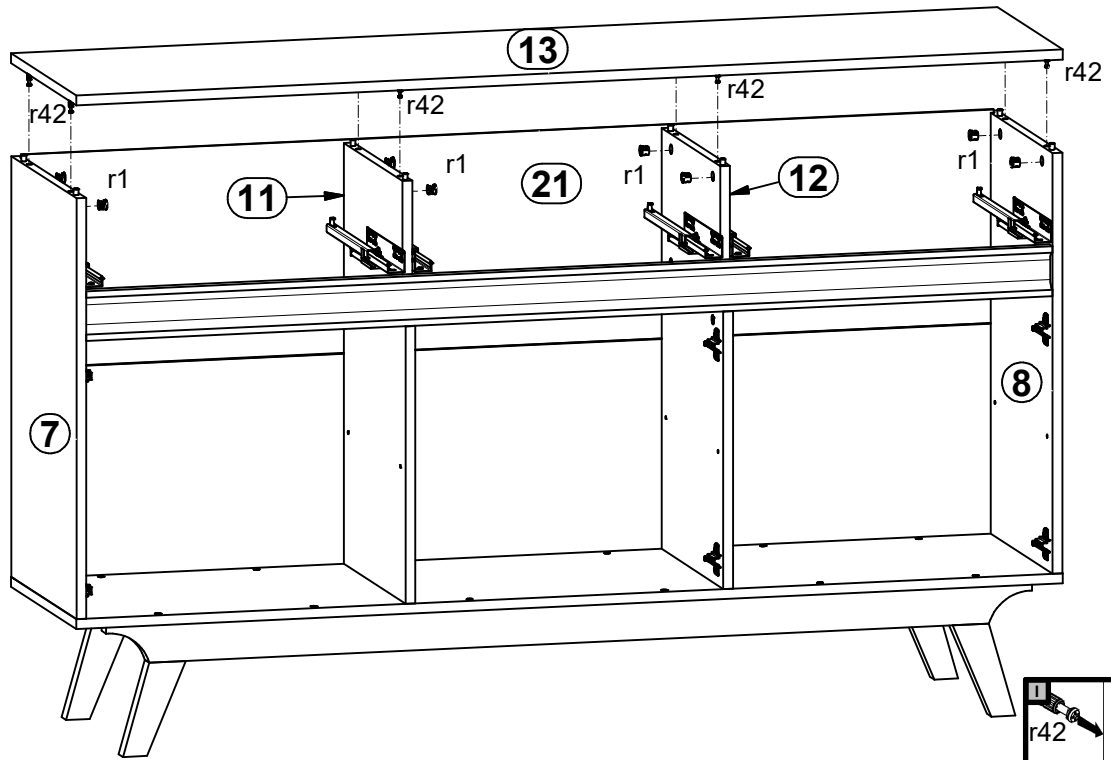


3

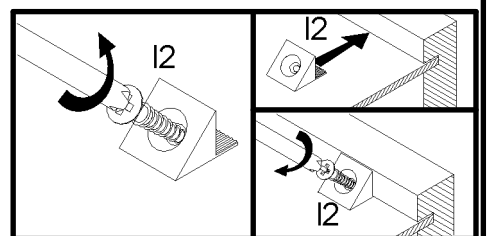
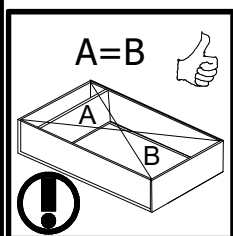
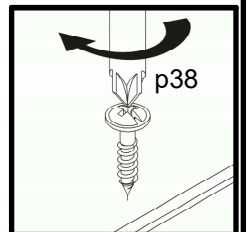
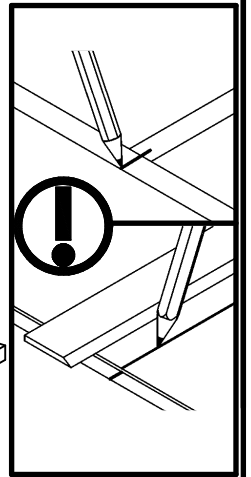
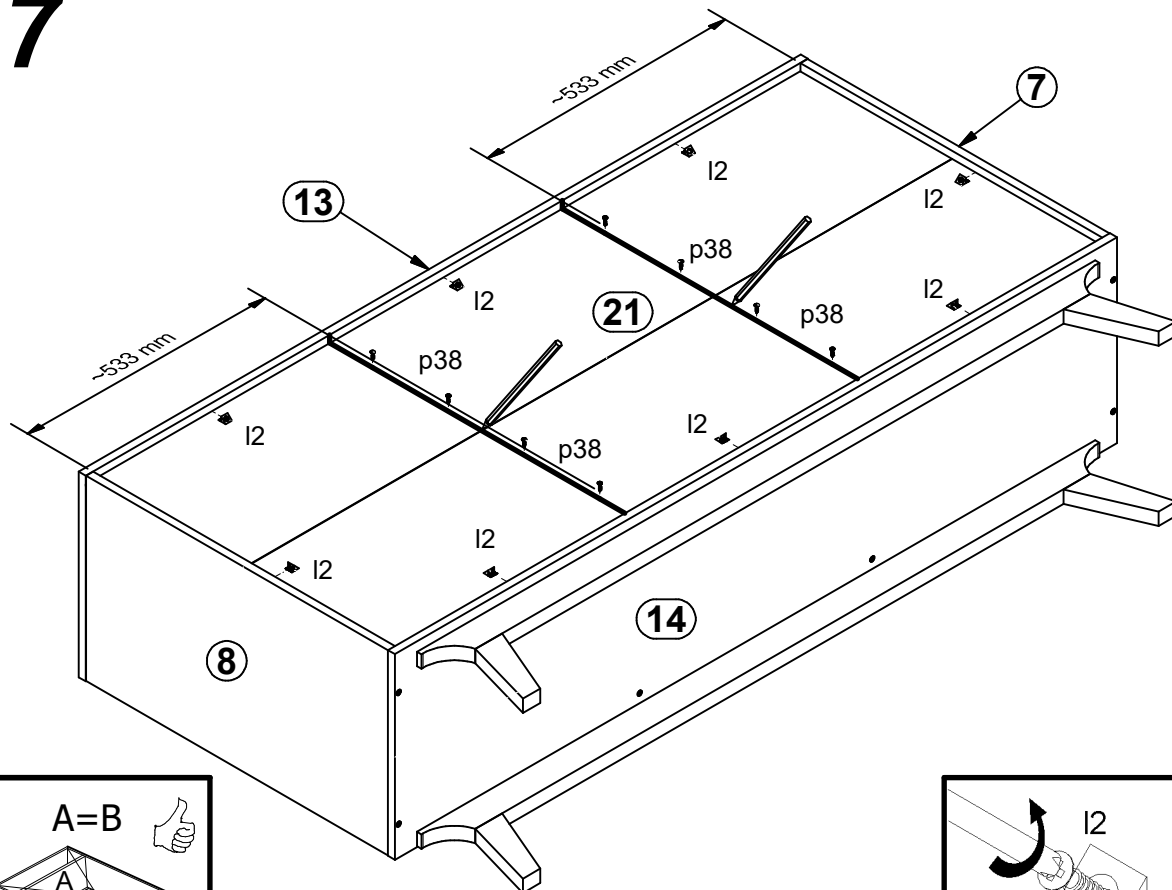




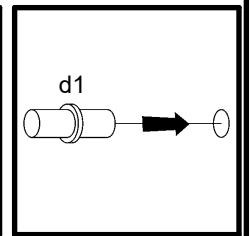
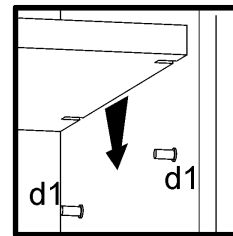
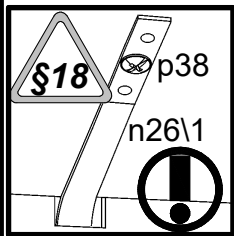
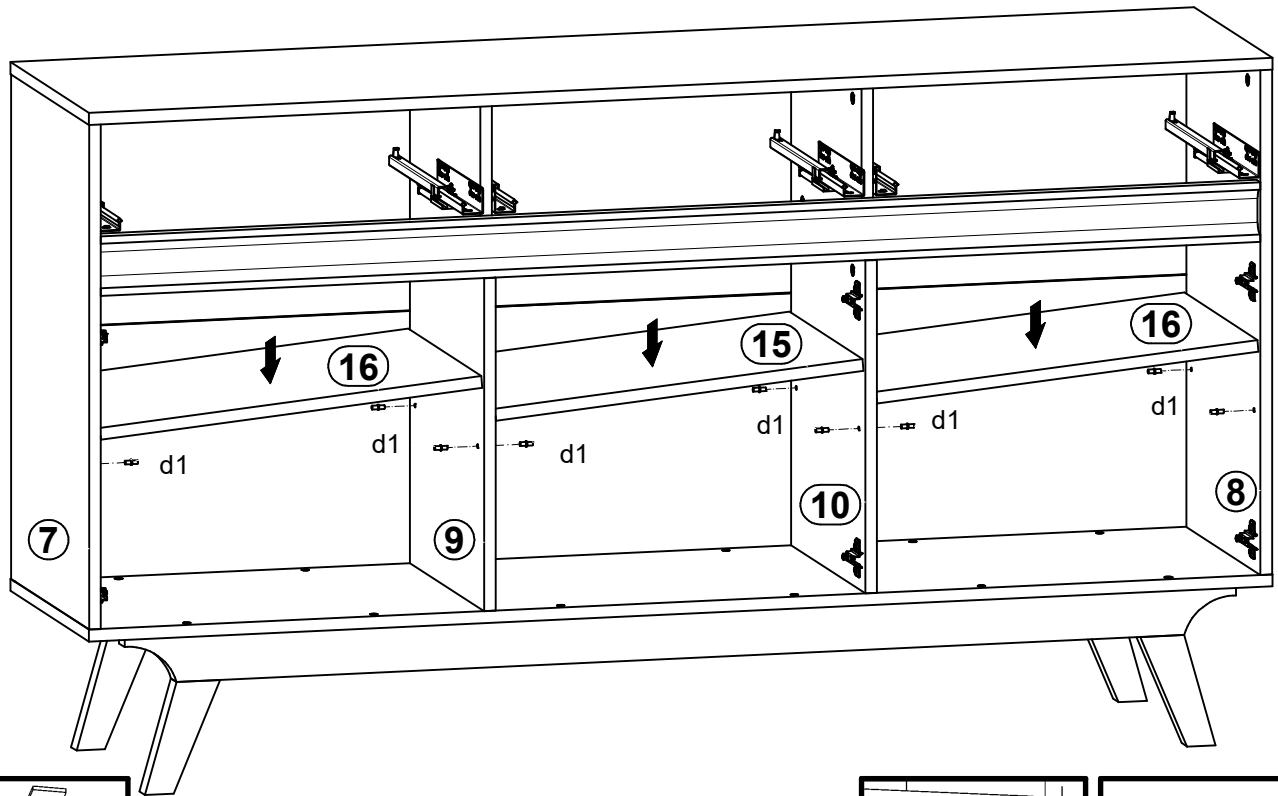
6



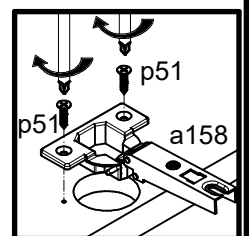
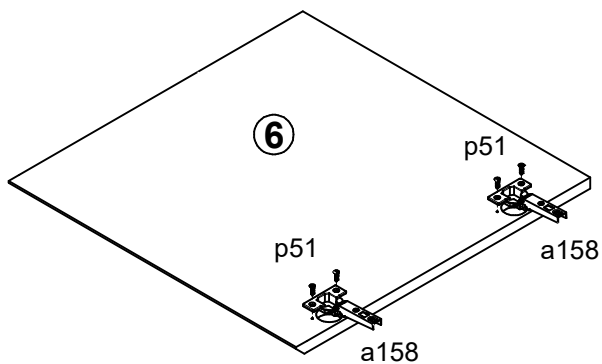
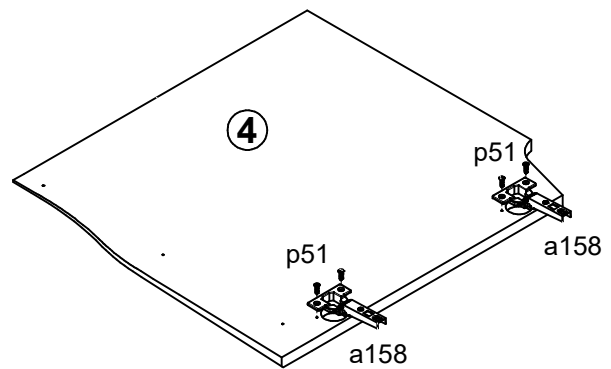
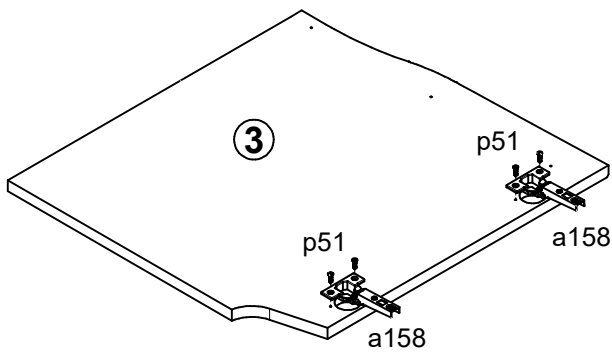
7



8

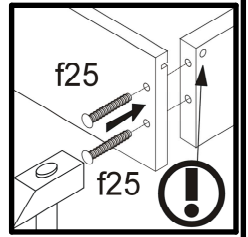
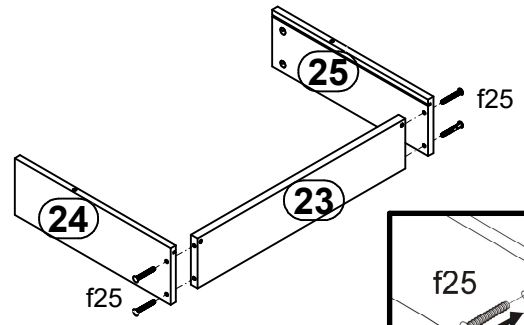
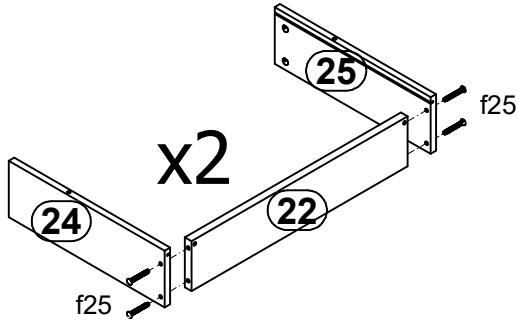


9

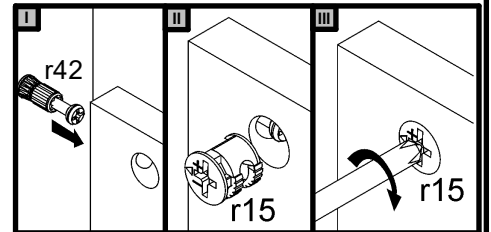
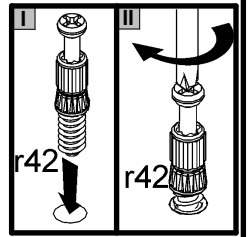
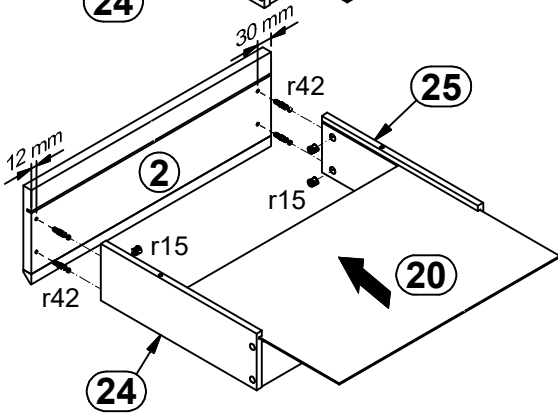
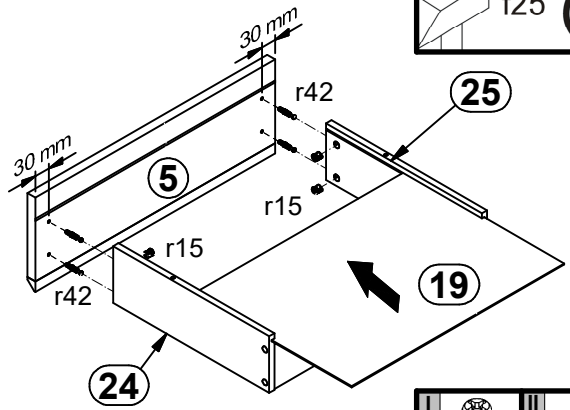
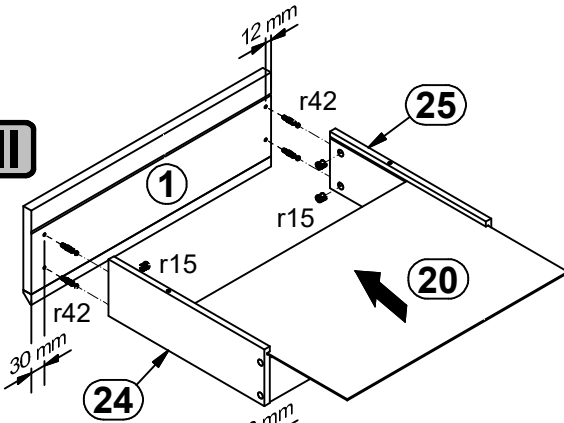


10

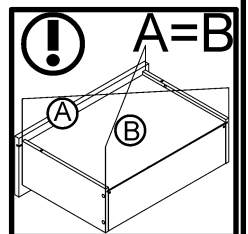
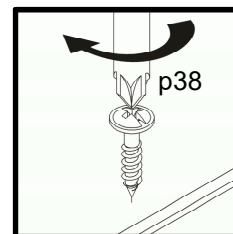
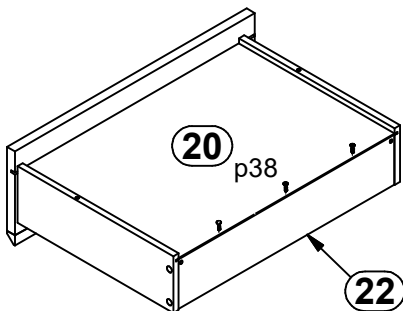
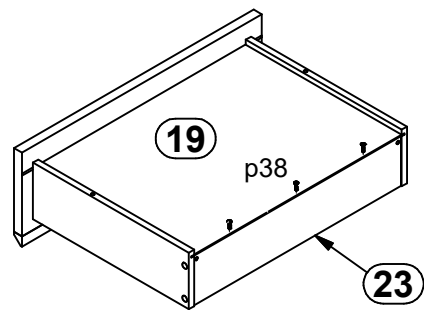
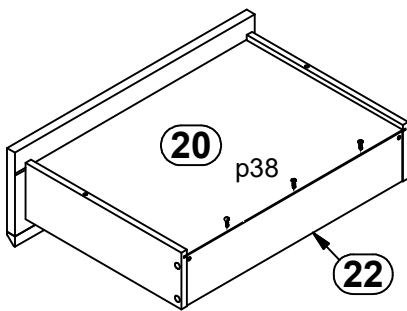
I



II



III



11

